



US00D608795S

(12) **United States Design Patent**
Brace et al.

(10) **Patent No.:** **US D608,795 S**
(45) **Date of Patent:** **** *Jan. 26, 2010**

(54) **MOTORCYCLE CYLINDER HEAD**

DESCRIPTION

(75) Inventors: **Brian Brace**, Hillsboro, MO (US); **John Garrison**, Arnold, MO (US)

(73) Assignee: **Midwest Motorcycle Supply Distributors Corp.**, Pevely, MO (US)

(*) Notice: This patent is subject to a terminal disclaimer.

(**) Term: **14 Years**

(21) Appl. No.: **29/331,941**

(22) Filed: **Feb. 5, 2009**

(51) **LOC (9) Cl.** **15-01**

(52) **U.S. Cl.** **D15/5**

(58) **Field of Classification Search** D15/1-5;
D12/110, 114, 126; 123/41.56, 41.69, 41.86,
123/54.1, 54.4, 55.1, 90.61, 196 AS, 196 R,
123/197.3, 572-574, 52.1-52.6, 193.1-193.6;
184/6.5-6.9; 180/219

See application file for complete search history.

(56) **References Cited**

U.S. PATENT DOCUMENTS

D294,264 S * 2/1988 Davidson et al. D15/3

(Continued)

Primary Examiner—Philip S Hyder

Assistant Examiner—Linda G. Brooks

(74) *Attorney, Agent, or Firm*—Thompson Coburn LLP;
Clyde L. Smith

(57) **CLAIM**

The ornamental design for a motorcycle cylinder head, as shown and described.

FIG. 1 is a front view of a design for a motorcycle cylinder head in accordance with the invention.

FIG. 2 is a rear view of the design for a motorcycle cylinder head shown in FIG. 1.

FIG. 3 is a top view of the design for a motorcycle cylinder head shown in FIGS. 1 and 2.

FIG. 4 is a right view of the design for a motorcycle cylinder head shown in FIGS. 1-3.

FIG. 5 is a bottom view of the design for a motorcycle cylinder head shown in FIGS. 1-4.

FIG. 6 is a left view of the design for a motorcycle cylinder head shown in FIGS. 1-5.

FIG. 7 is a perspective view of the design for a motorcycle cylinder head showing the top, right and front sides of the motorcycle cylinder head shown in FIGS. 1-6.

FIG. 8 is a perspective view of the design for a motorcycle cylinder head showing the top, left and front sides of the motorcycle cylinder head shown in FIGS. 1-7.

FIG. 9 is a perspective view of the design for a motorcycle cylinder head showing the bottom, left and front sides of the motorcycle cylinder head shown in FIGS. 1-8.

FIG. 10 is a perspective view of the design for a motorcycle cylinder head showing the bottom, right and front sides of the motorcycle cylinder head shown in FIGS. 1-9.

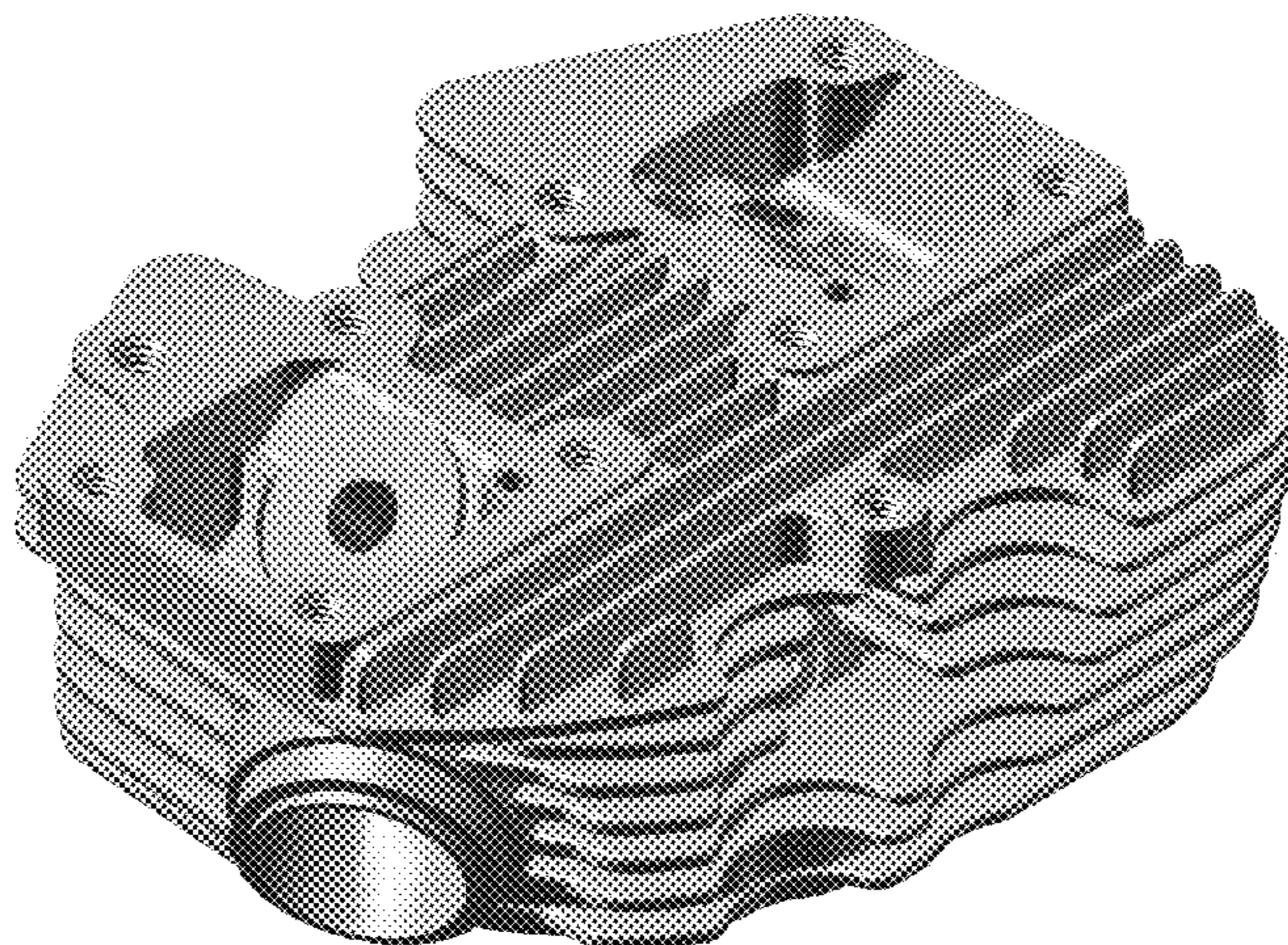
FIG. 11 is a perspective view of the design for a motorcycle cylinder head showing the top, right and rear sides of the motorcycle cylinder head shown in FIGS. 1-10.

FIG. 12 is a perspective view of the design for a motorcycle cylinder head showing the bottom, right and rear sides of the motorcycle cylinder head shown in FIGS. 1-11.

FIG. 13 is a perspective view of the design for a motorcycle cylinder head showing the bottom, left and rear sides of the motorcycle cylinder head shown in FIGS. 1-12; and,

FIG. 14 is a perspective view of the design for a motorcycle cylinder head showing the top, left and rear sides of the motorcycle cylinder head shown in FIGS. 1-13.

1 Claim, 11 Drawing Sheets



US D608,795 S

Page 2

U.S. PATENT DOCUMENTS

| | | | | | | | | | |
|-----------|------|---------|----------------------|---------|-----------|------|---------|-----------------------|---------|
| 6,065,457 | A * | 5/2000 | Hoffmann et al. | 123/572 | D499,742 | S * | 12/2004 | Brinton | D15/5 |
| D432,546 | S * | 10/2000 | Savage et al. | D15/5 | D500,768 | S * | 1/2005 | Brinton | D15/5 |
| 6,296,071 | B1 * | 10/2001 | Runte et al. | 180/219 | D522,022 | S * | 5/2006 | Carlin et al. | D15/5 |
| 6,345,613 | B1 * | 2/2002 | Hoffmann et al. | 123/572 | 7,246,610 | B2 * | 7/2007 | Sjovall et al. | 123/572 |
| D463,801 | S * | 10/2002 | Kinsey et al. | D15/5 | 7,461,643 | B2 * | 12/2008 | Reichardt et al. | 123/572 |

* cited by examiner

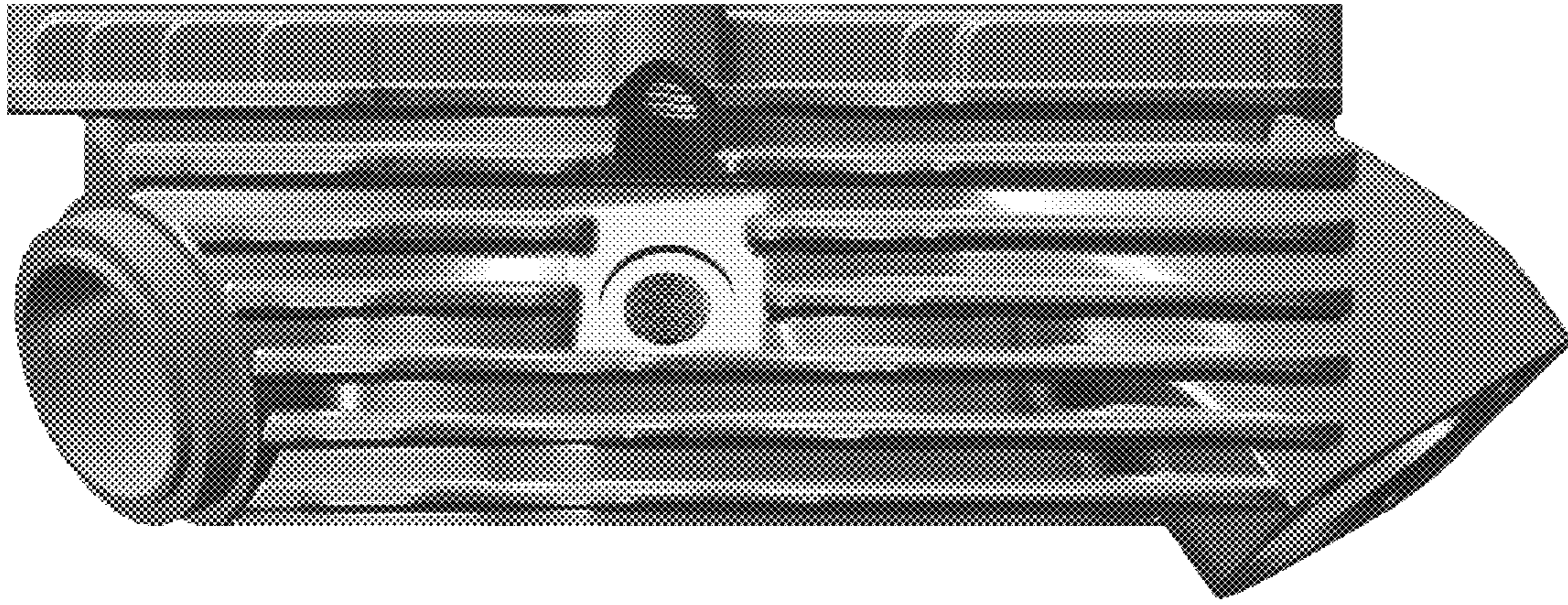


FIG. 1

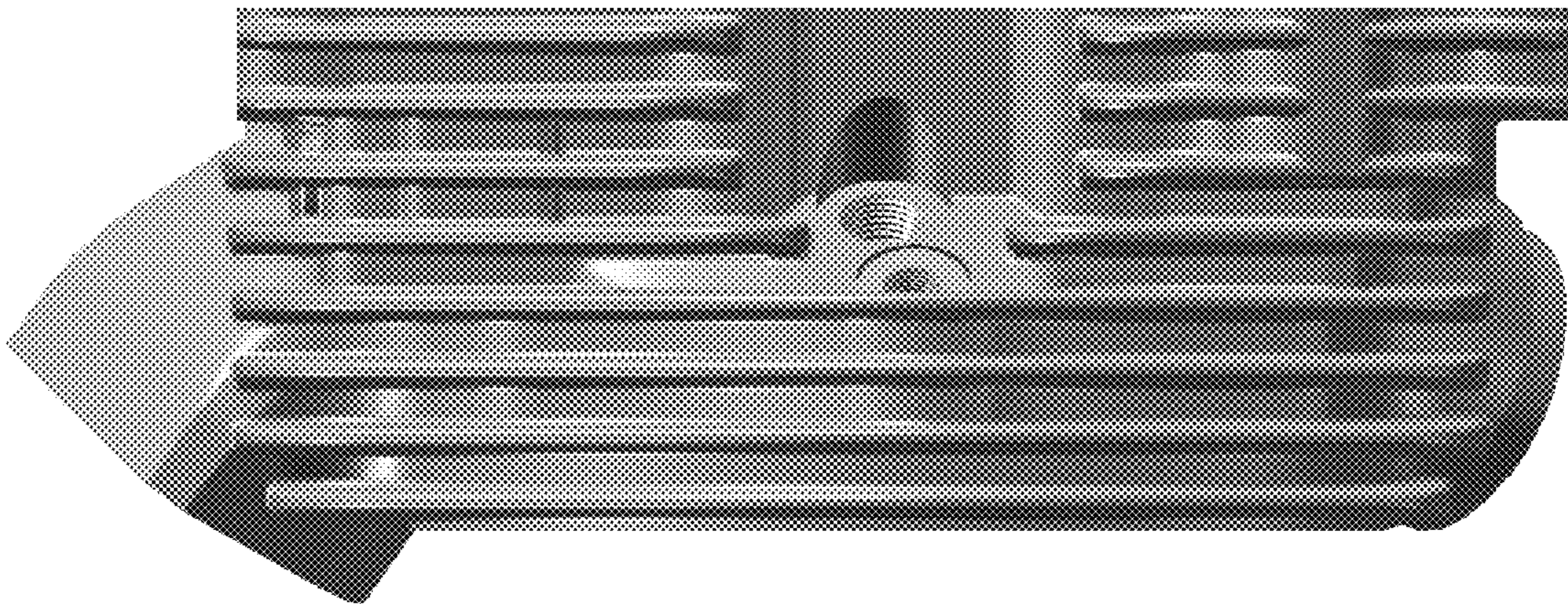


FIG. 2

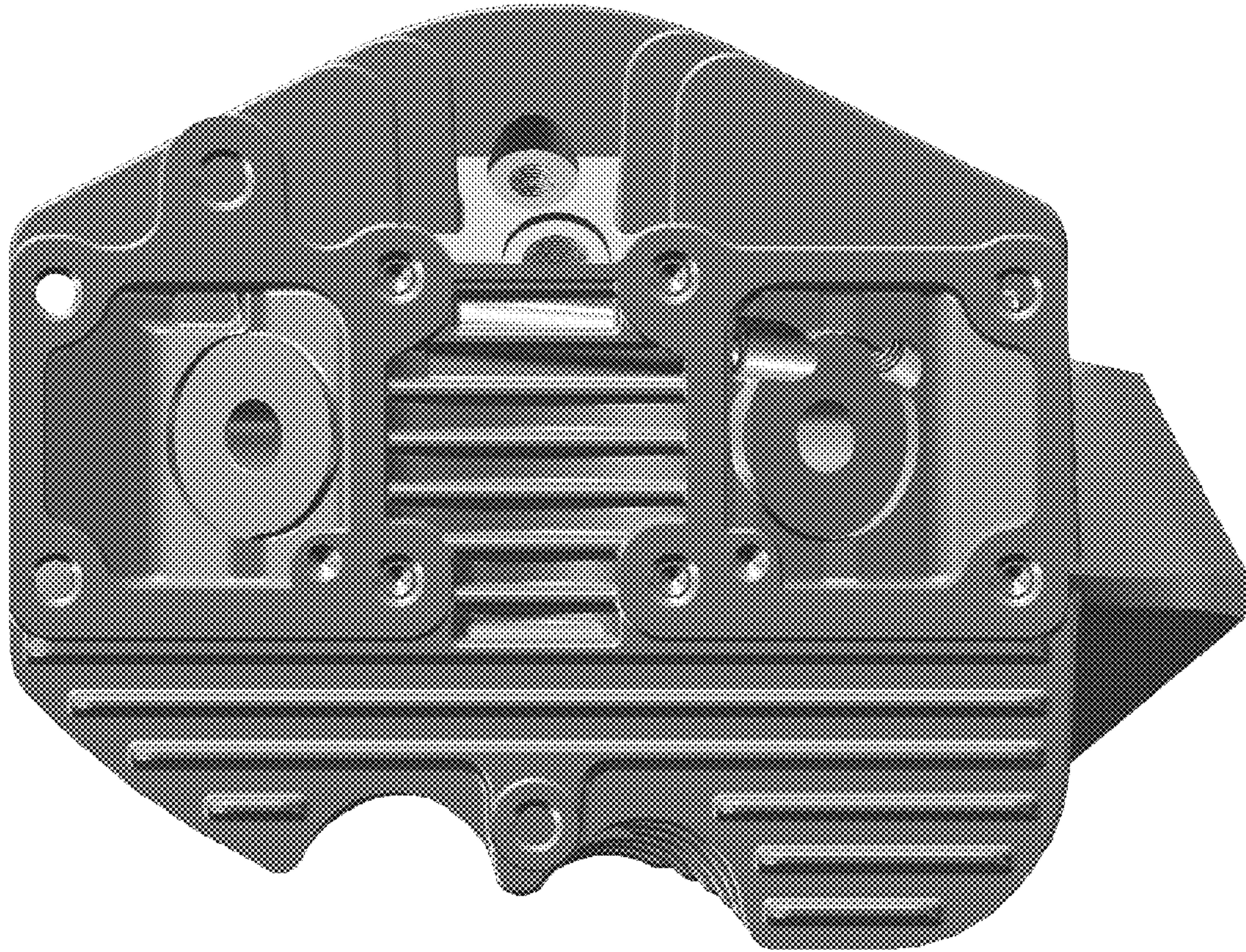


FIG. 3

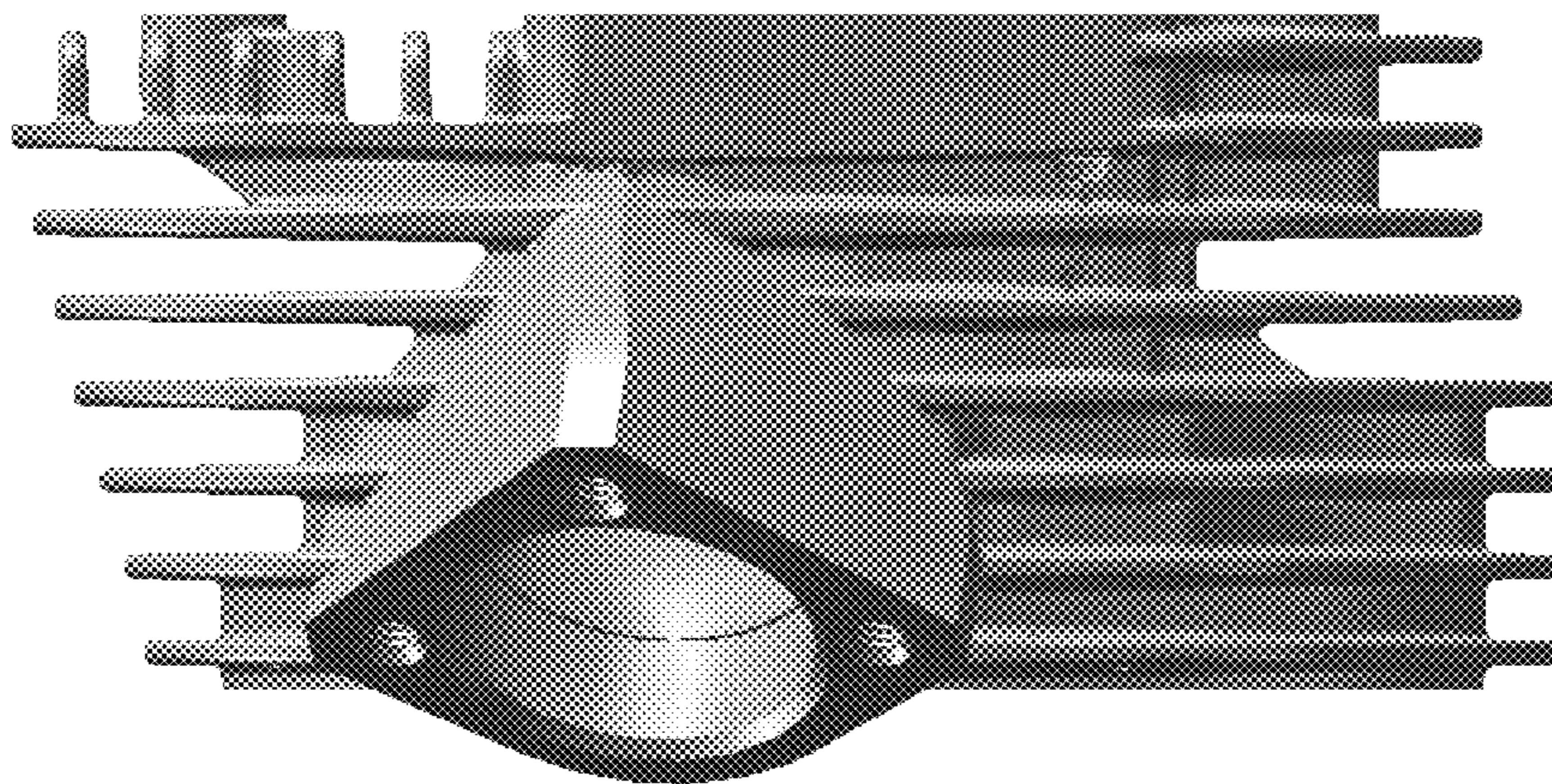


FIG. 4

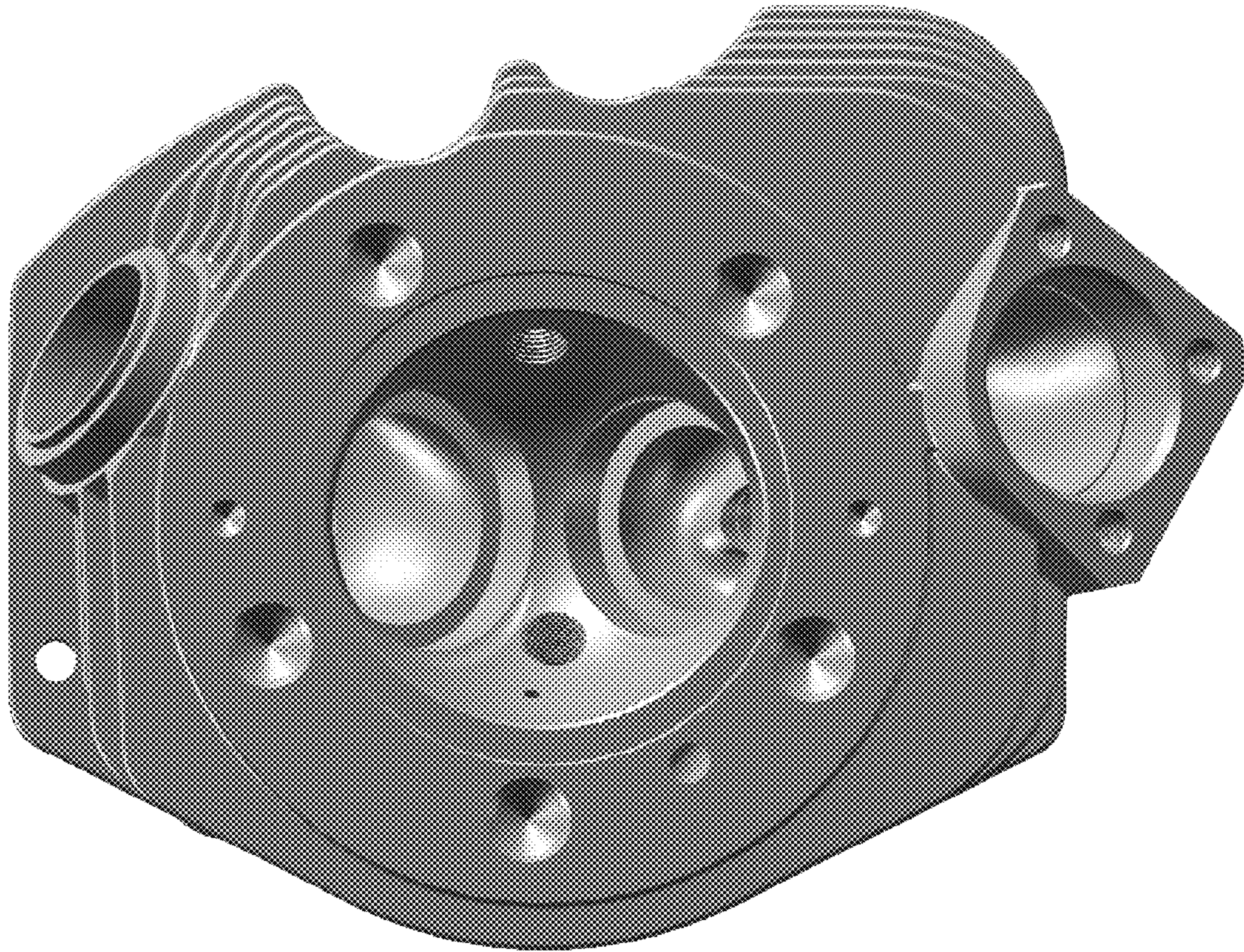


FIG. 5

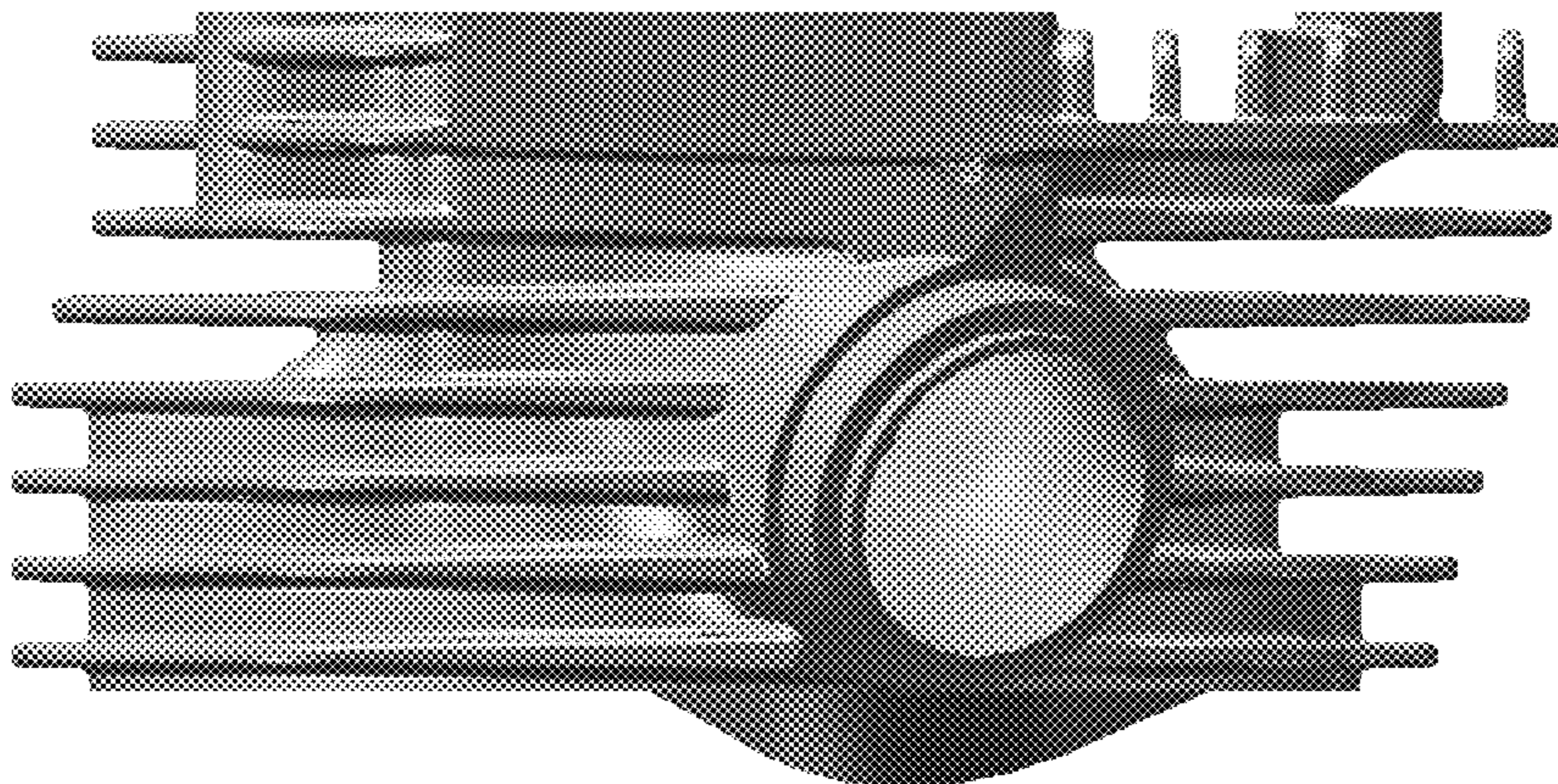


FIG. 6

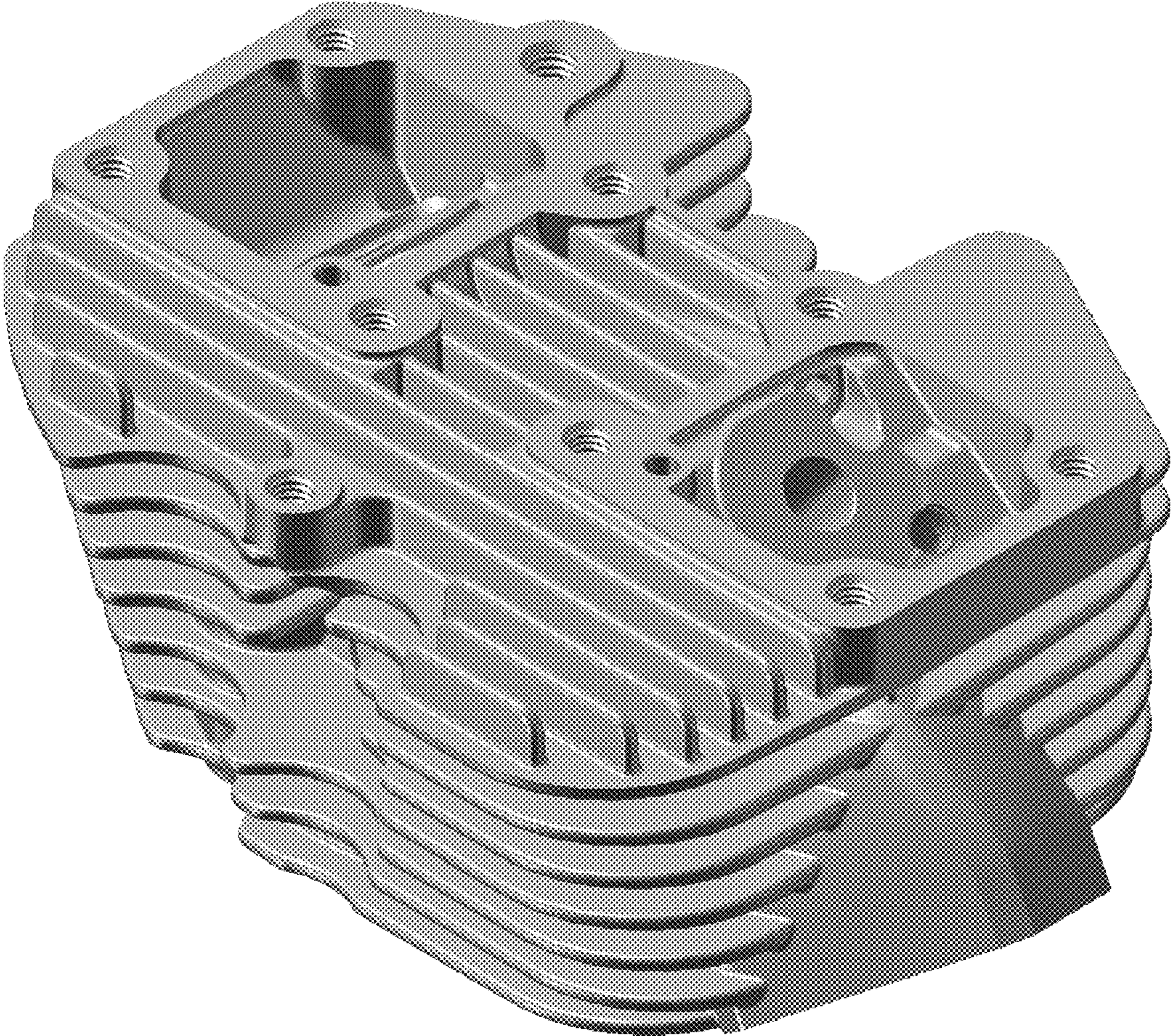


FIG. 7

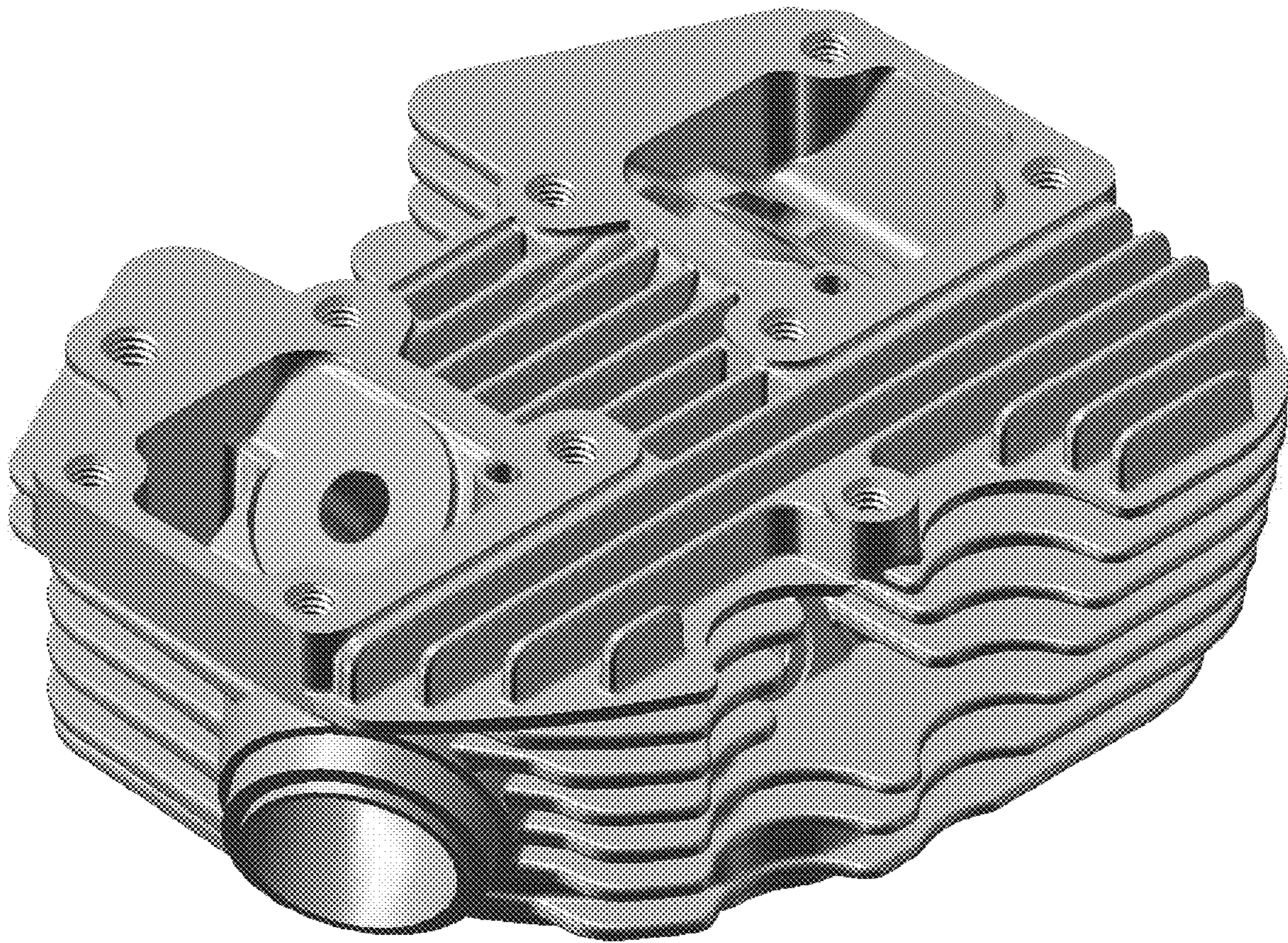


FIG. 8

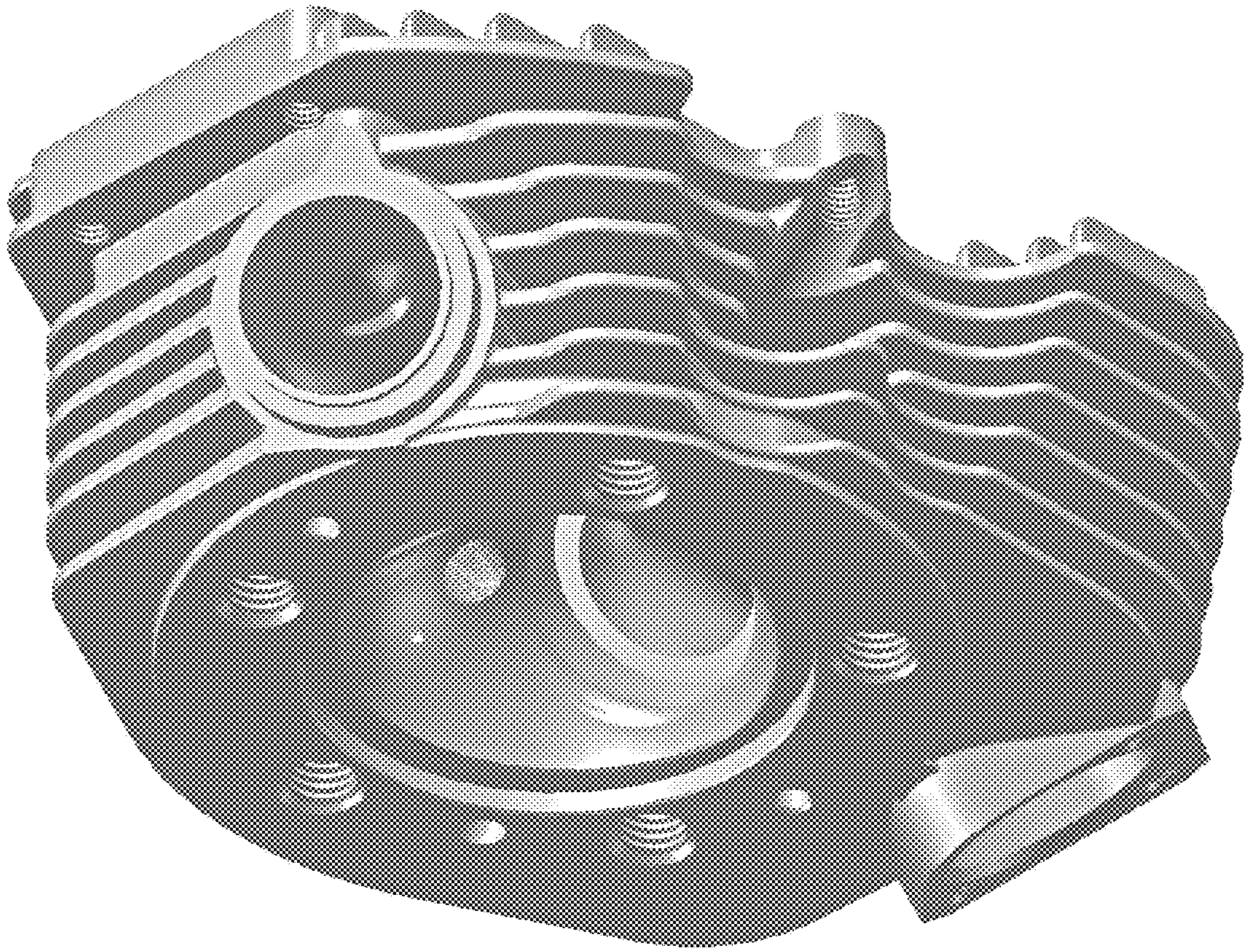


FIG. 9

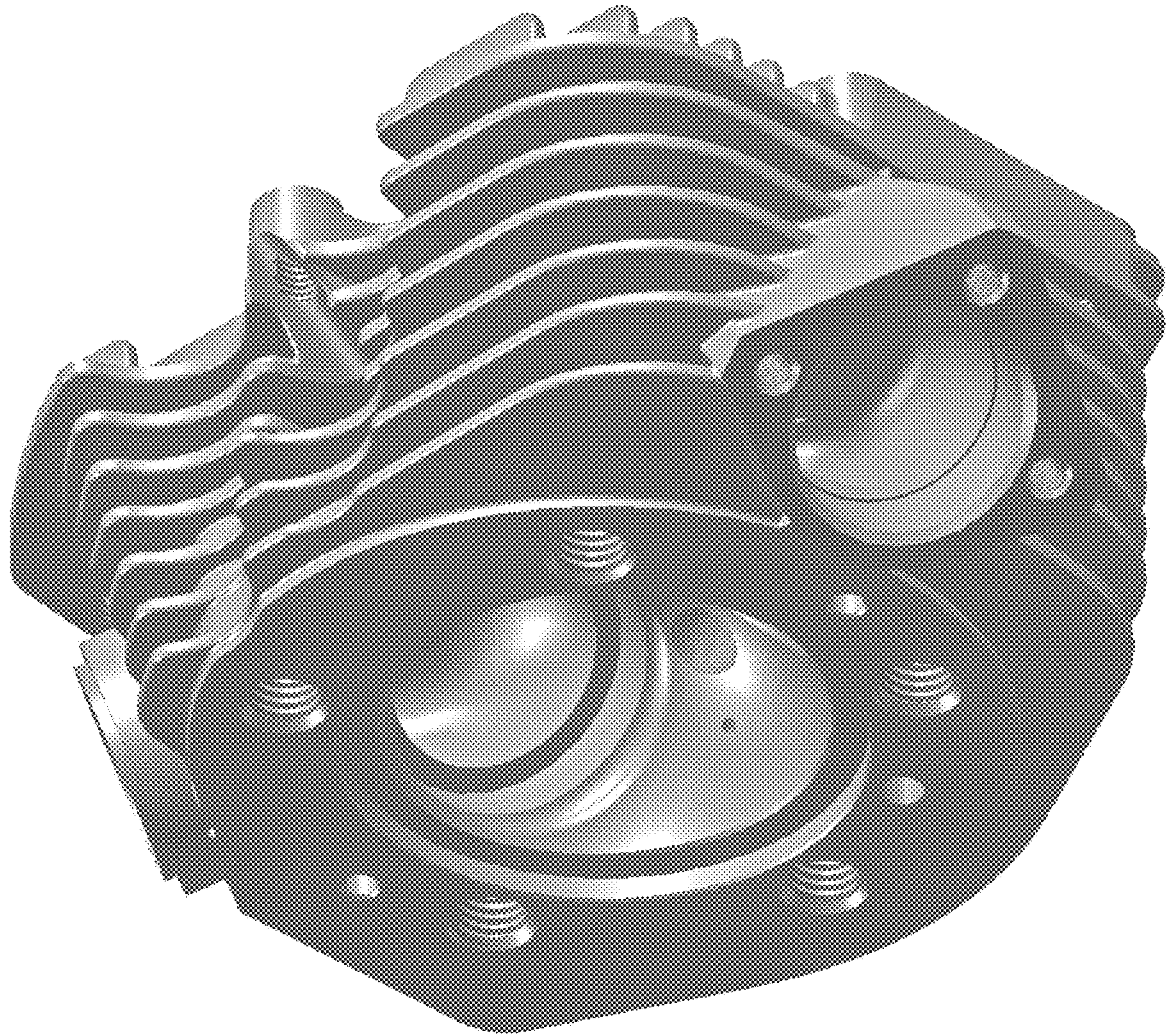


FIG. 10

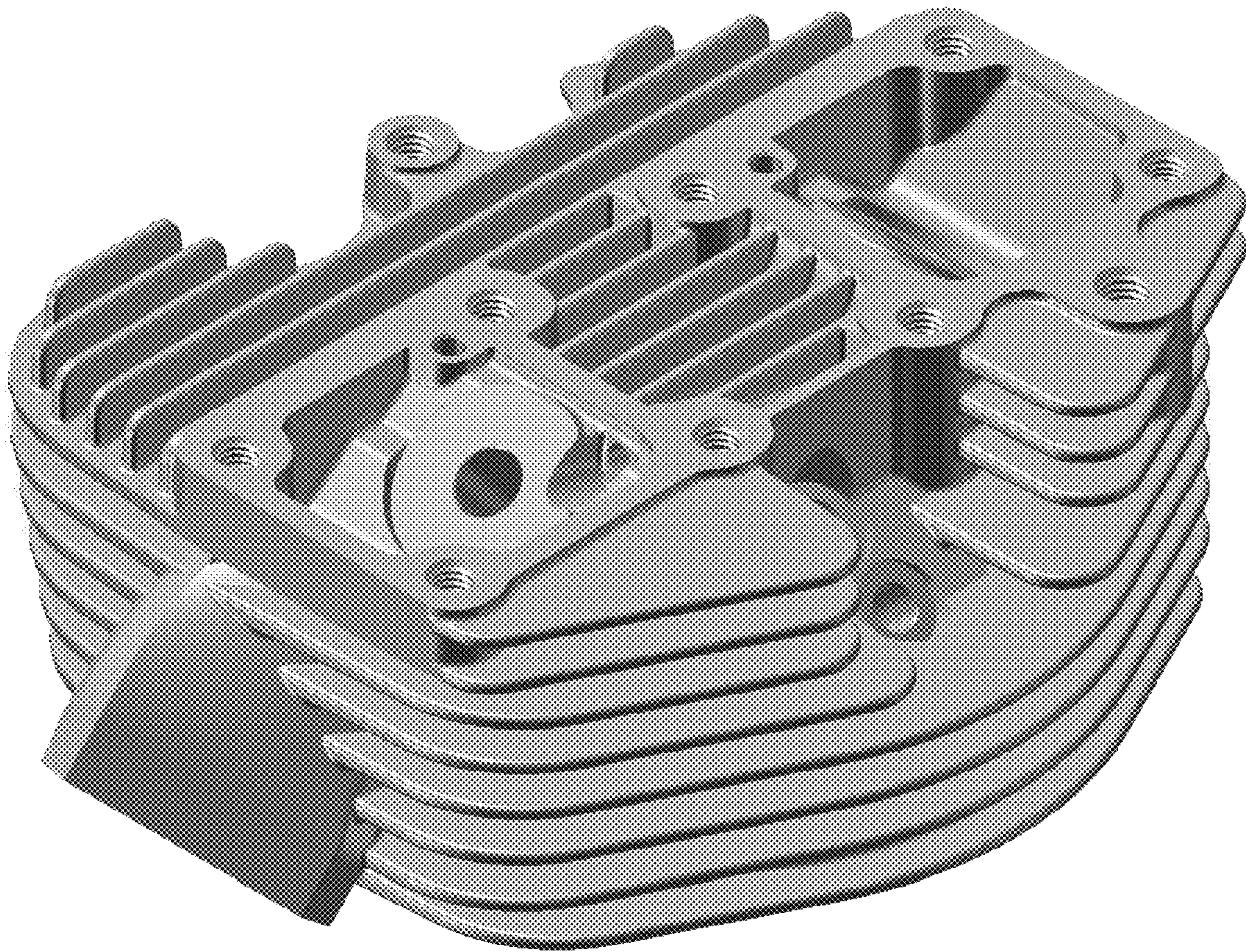


FIG. 11

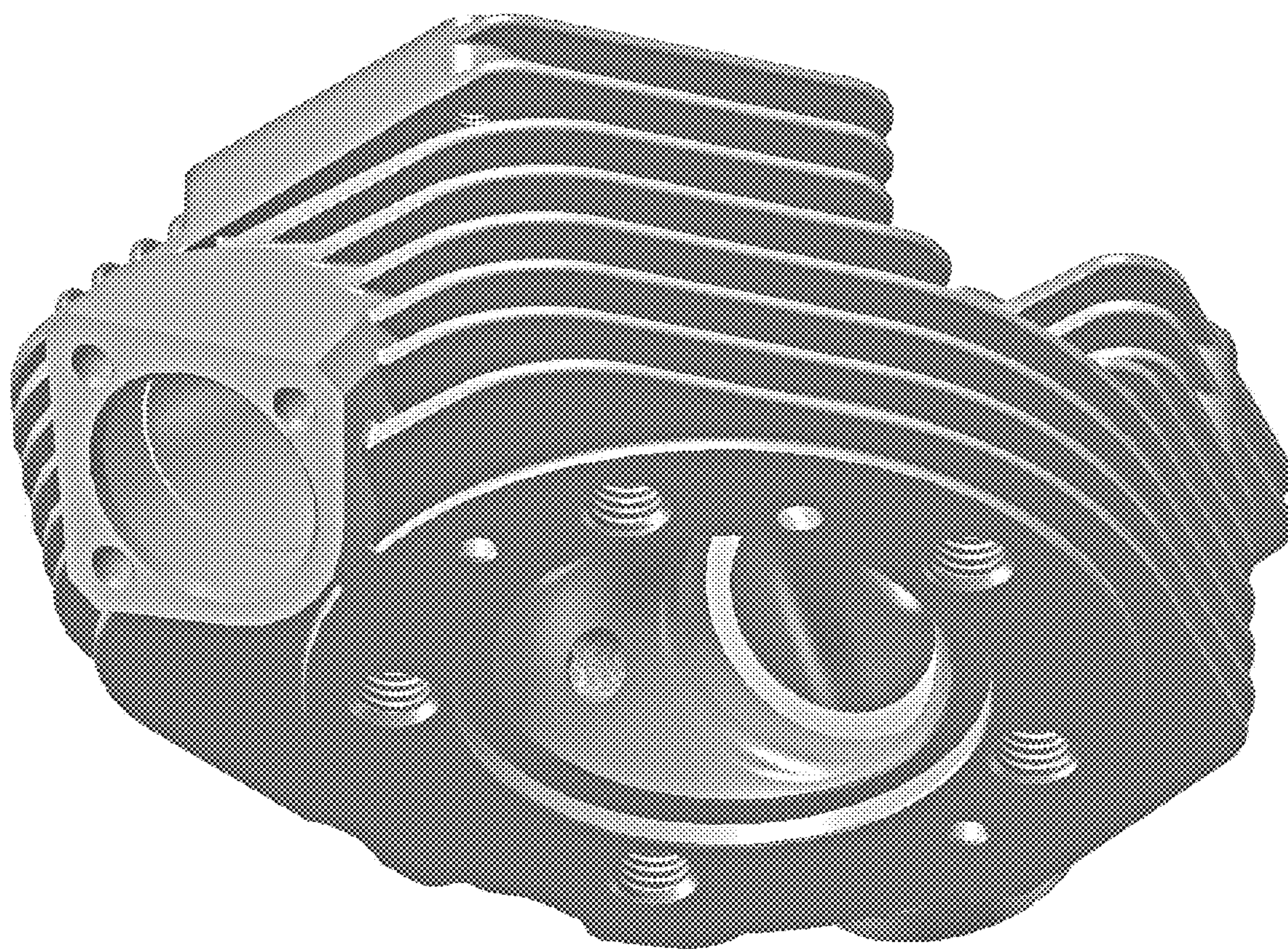


FIG. 12

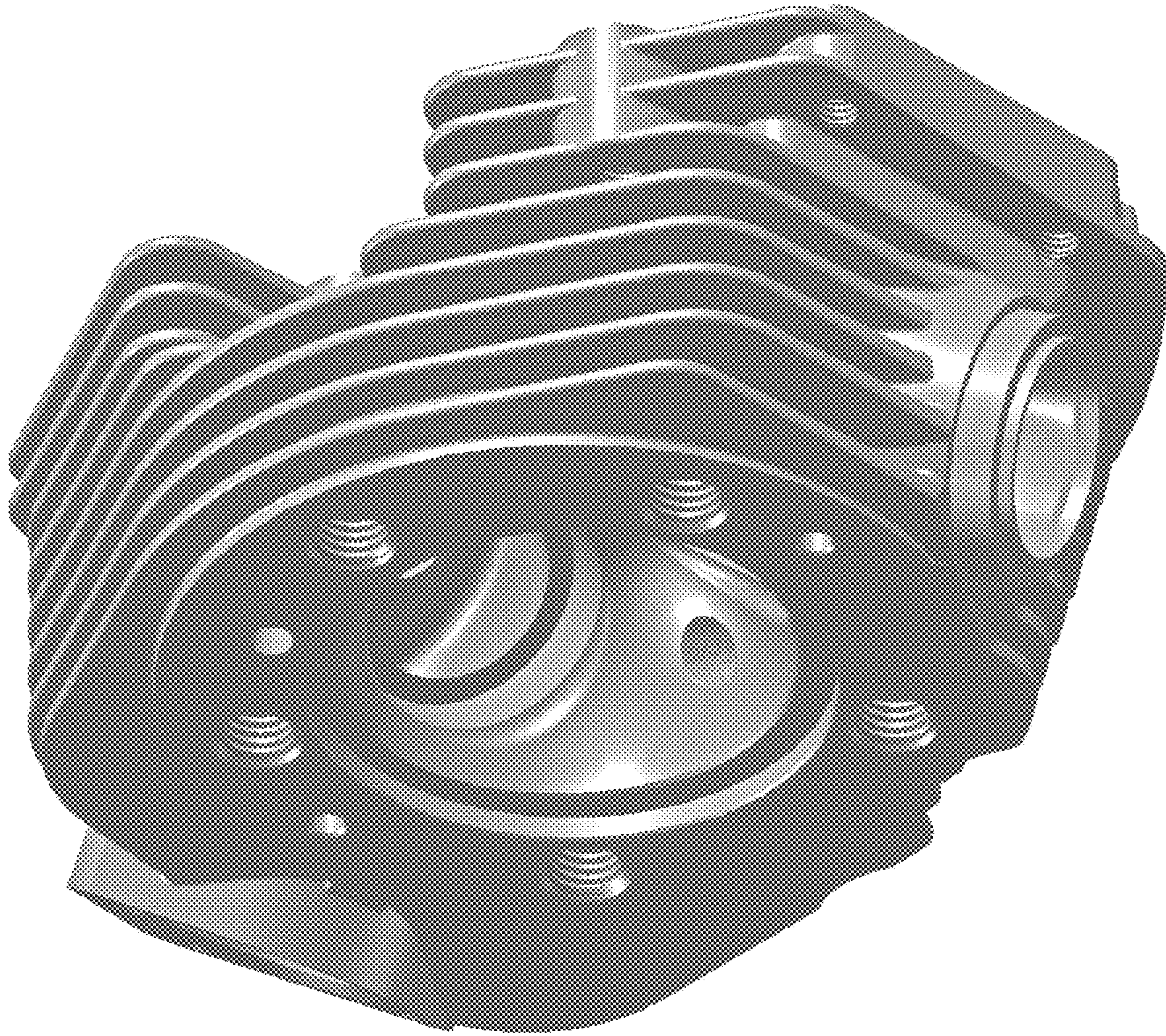


FIG. 13

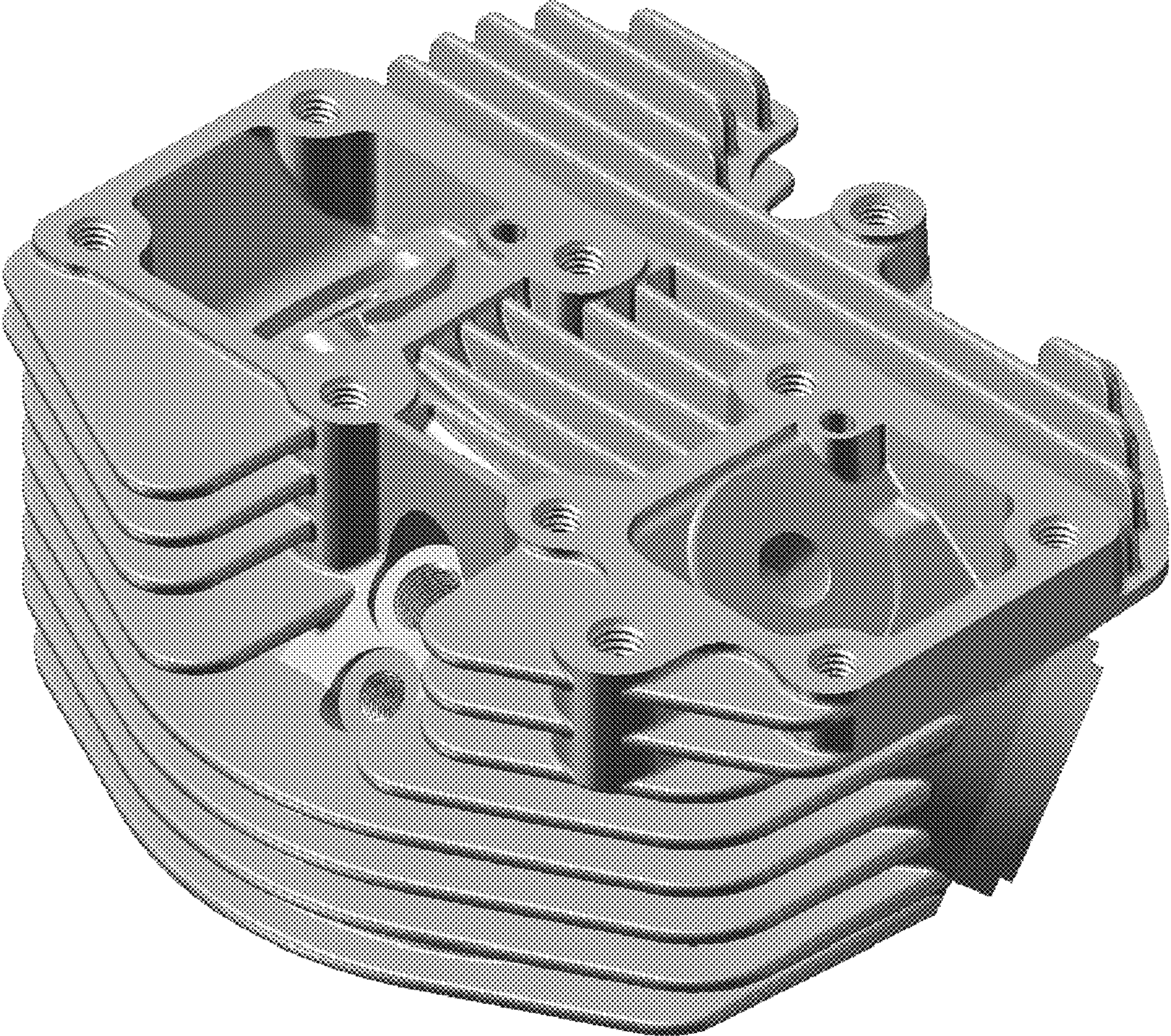


FIG. 14