



US00D608794S

(12) **United States Design Patent**
Xiao et al.

(10) **Patent No.:** **US D608,794 S**
(45) **Date of Patent:** **** Jan. 26, 2010**

(54) **MEDIA PLAYER**

(75) Inventors: **Shi-Xin Xiao**, Shenzhen (CN);
Chung-Yuan Chen, Taipei Hsien (TW);
Long-Fong Chen, Taipei Hsien (TW);
Ji-Ping Wu, Shenzhen (CN); **Shi-Bin**
Li, Shenzhen (CN)

(73) Assignee: **Hon Hai Precision Industry Co., Ltd.**,
Tu-Cheng, Taipei Hsien (TW)

(**) Term: **14 Years**

(21) Appl. No.: **29/339,201**

(22) Filed: **Jun. 26, 2009**

(30) **Foreign Application Priority Data**

Feb. 25, 2009 (CN) 2009 3 0300689

(51) **LOC (9) Cl.** **14-03**

(52) **U.S. Cl.** **D14/496; D14/103.1**

(58) **Field of Classification Search** D14/496,
D14/401, 435, 474, 483, 217, 137, 138, 160,
D14/168, 356, 203.1–203.8, 507; 345/156,
345/169, 173–179, 905; 715/727–729, 864;
710/1, 5, 8; 713/1, 600; 455/1.1, 1.7, 73,
455/344–347, 93, 95, 3.01–3.06, 550.1, 573.1;
370/342–344; 369/1, 2, 6–12; 463/43–47;
273/148 B

See application file for complete search history.

(56) **References Cited**

U.S. PATENT DOCUMENTS

6,565,444 B2 * 5/2003 Nagata et al. 463/46

D521,022 S * 5/2006 Chen D14/203.6
D538,267 S * 3/2007 Christianson et al. D14/216
D541,260 S * 4/2007 Christianson D14/215
7,303,282 B2 * 12/2007 Dwyer et al. 353/15
D577,743 S * 9/2008 Liu D14/496
D585,898 S * 2/2009 Skurdal D14/434

* cited by examiner

Primary Examiner—Prabhakar Deshmukh

(74) *Attorney, Agent, or Firm*—Frank R. Niranjana

(57) **CLAIM**

The ornamental design for a media player, as shown.

DESCRIPTION

FIG. 1 is a perspective view of a media player showing our design;

FIG. 2 is another perspective view thereof;

FIG. 3 is a front elevational view thereof;

FIG. 4 is a rear elevational view thereof;

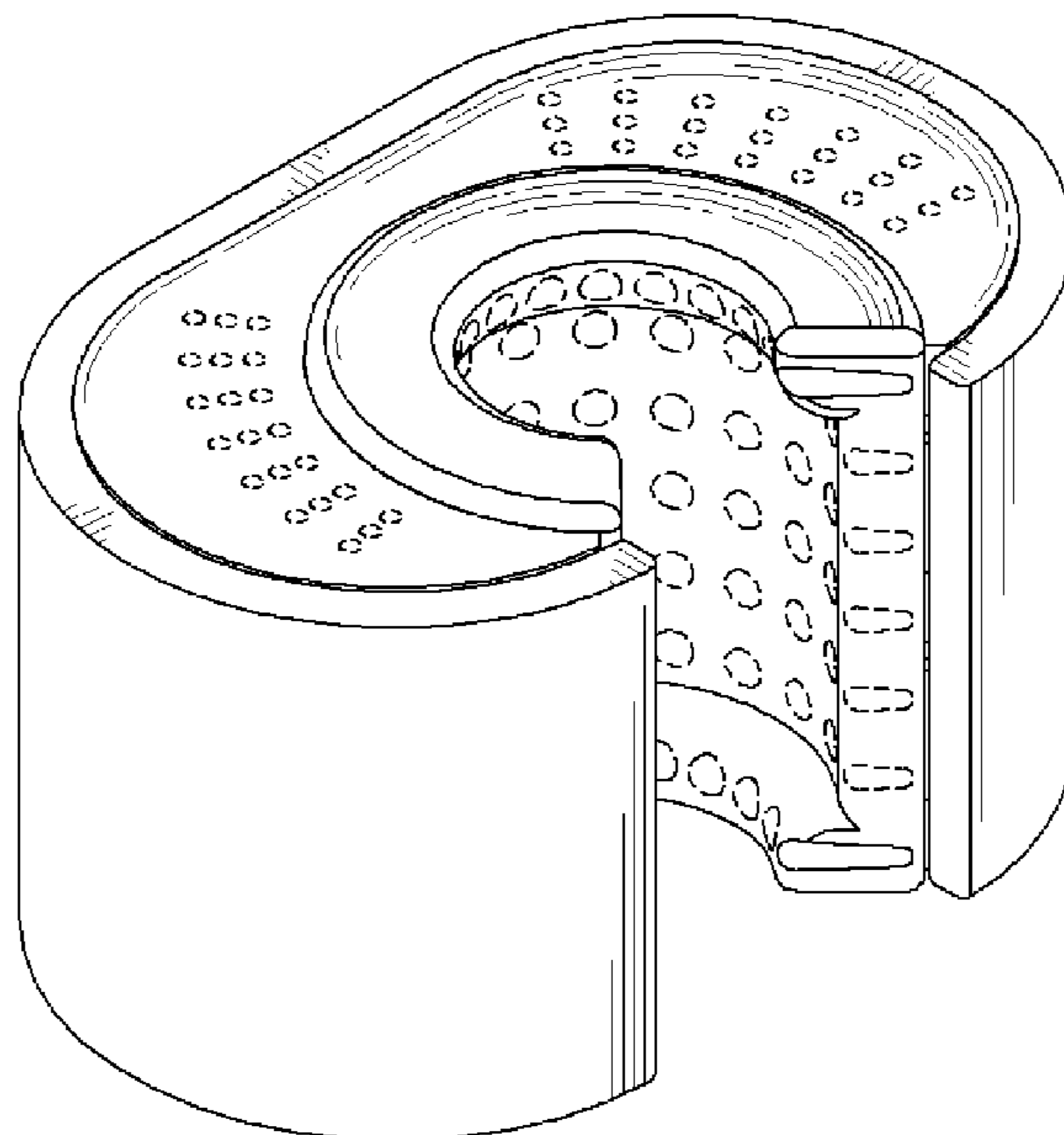
FIG. 5 is a left side, elevational view thereof;

FIG. 6 is a right side, elevational view thereof;

FIG. 7 is a top plan view thereof; and,

FIG. 8 is a bottom plan view thereof.

1 Claim, 8 Drawing Sheets



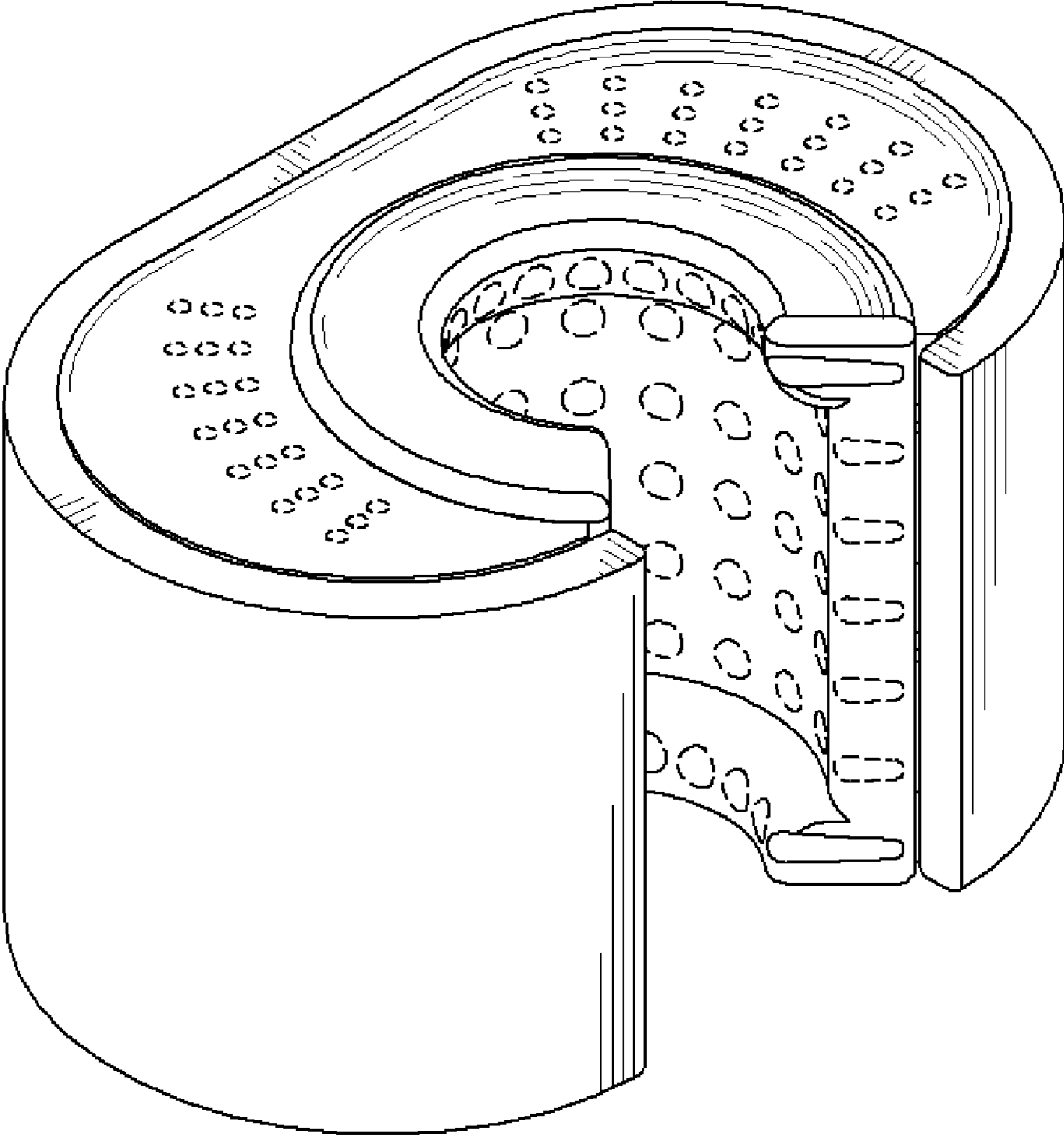


FIG. 1

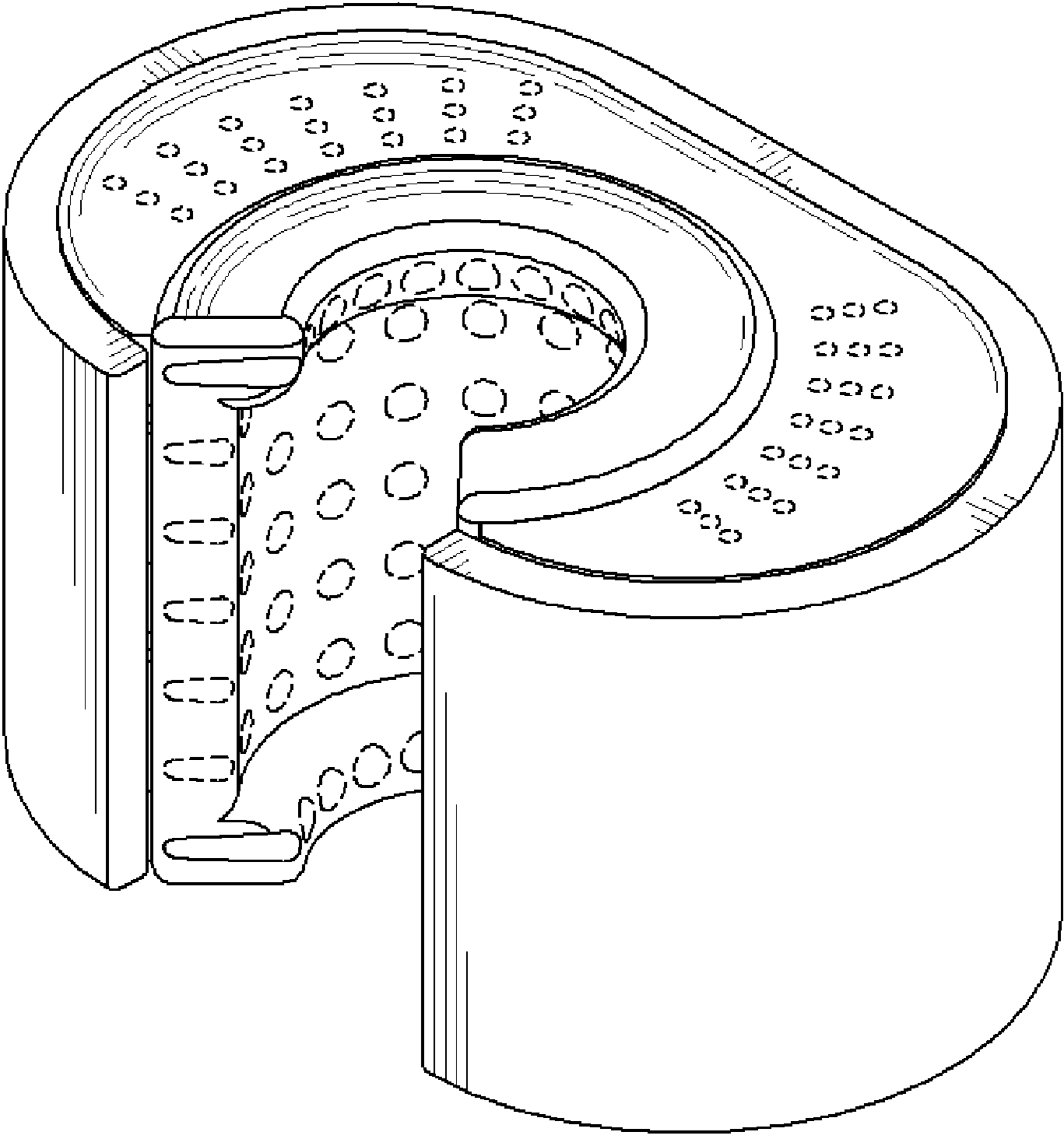


FIG. 2

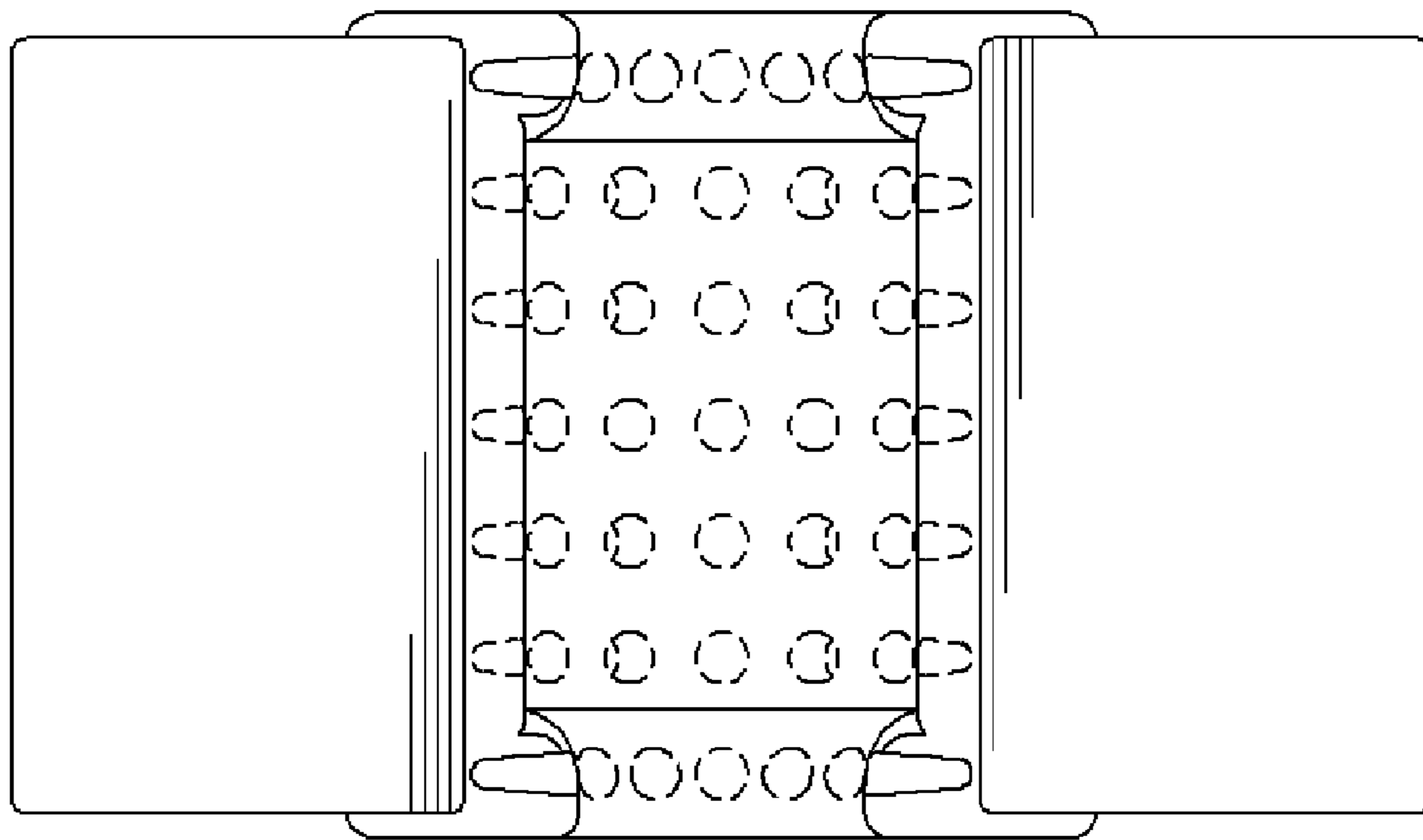


FIG. 3

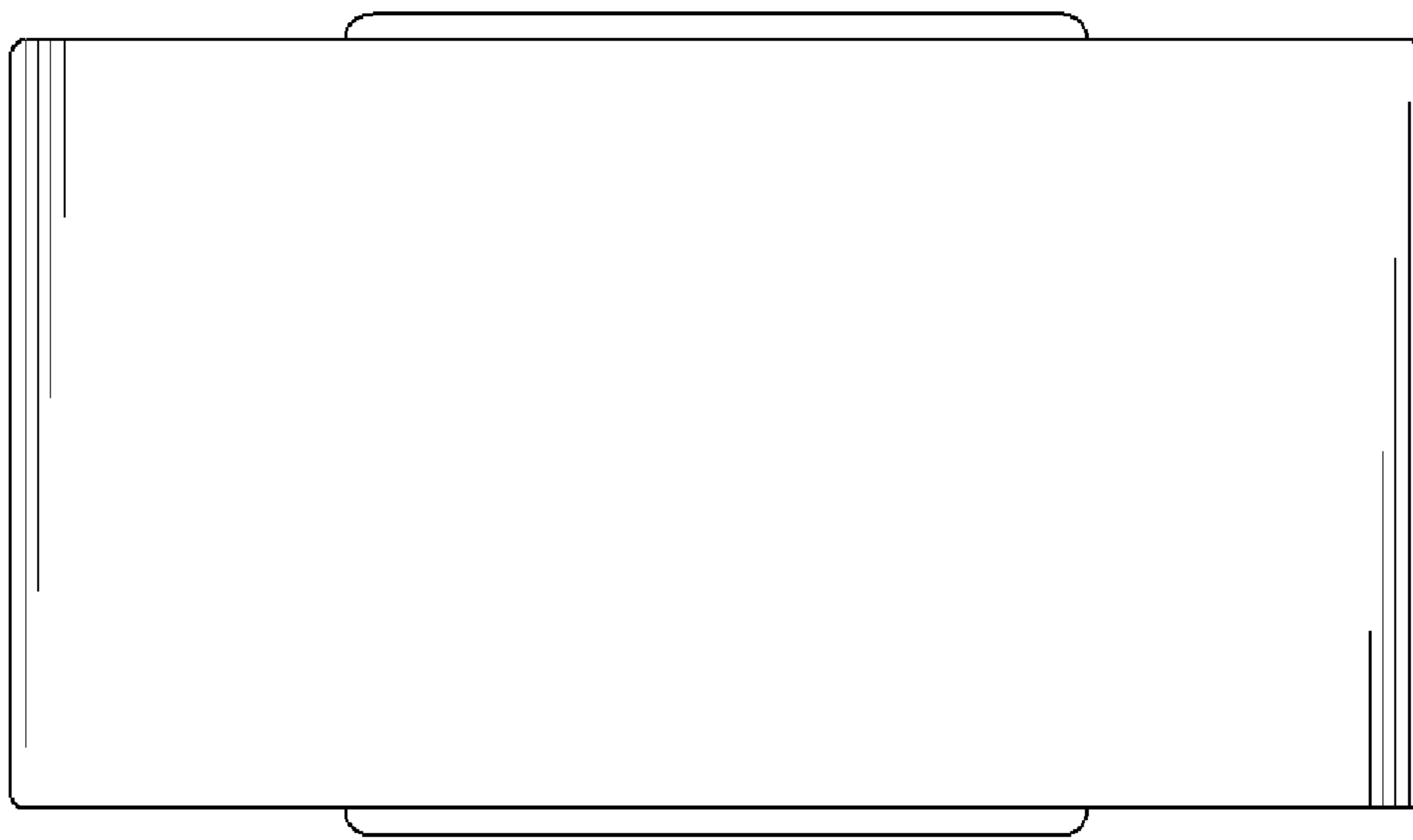


FIG. 4

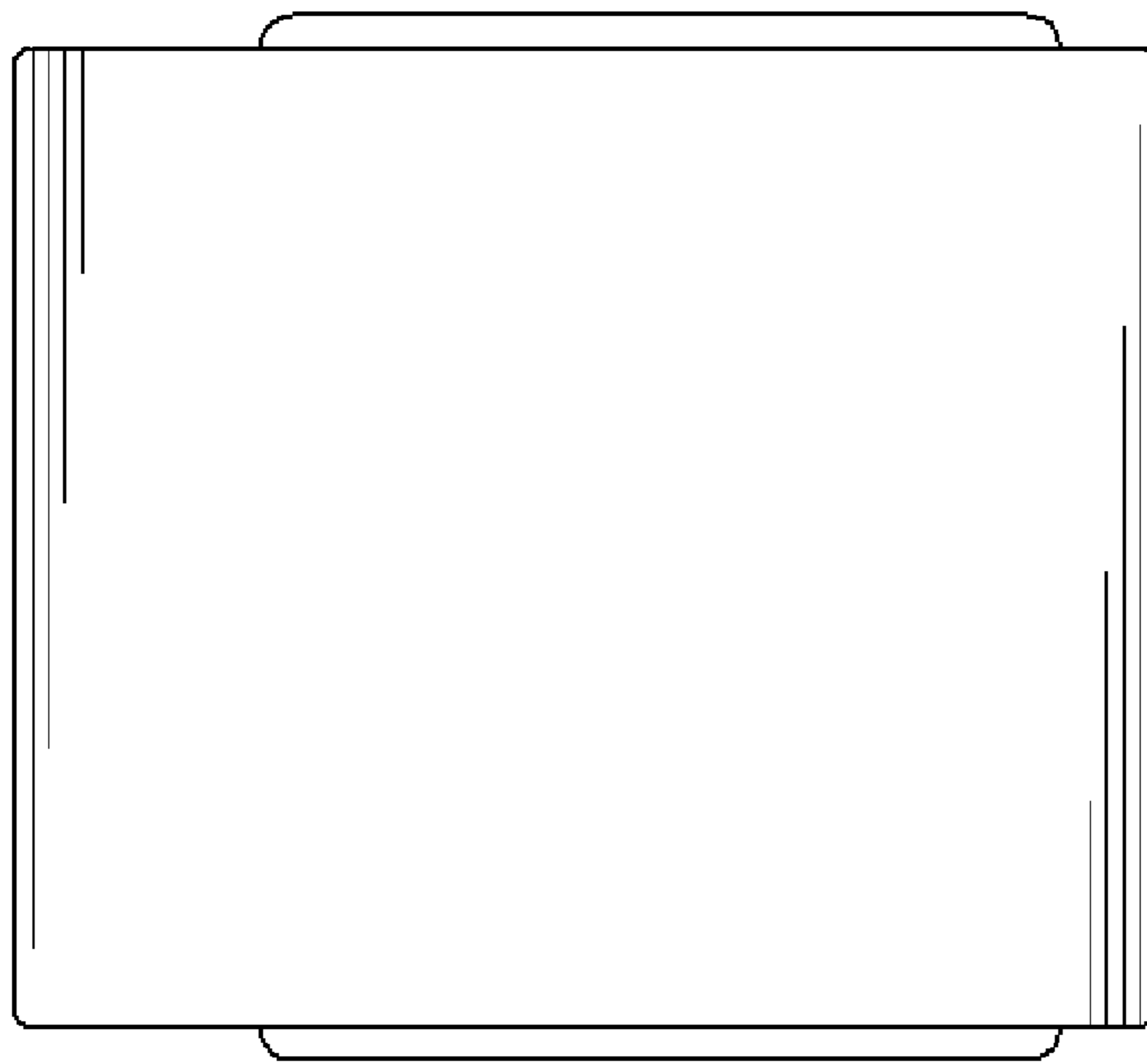


FIG. 5

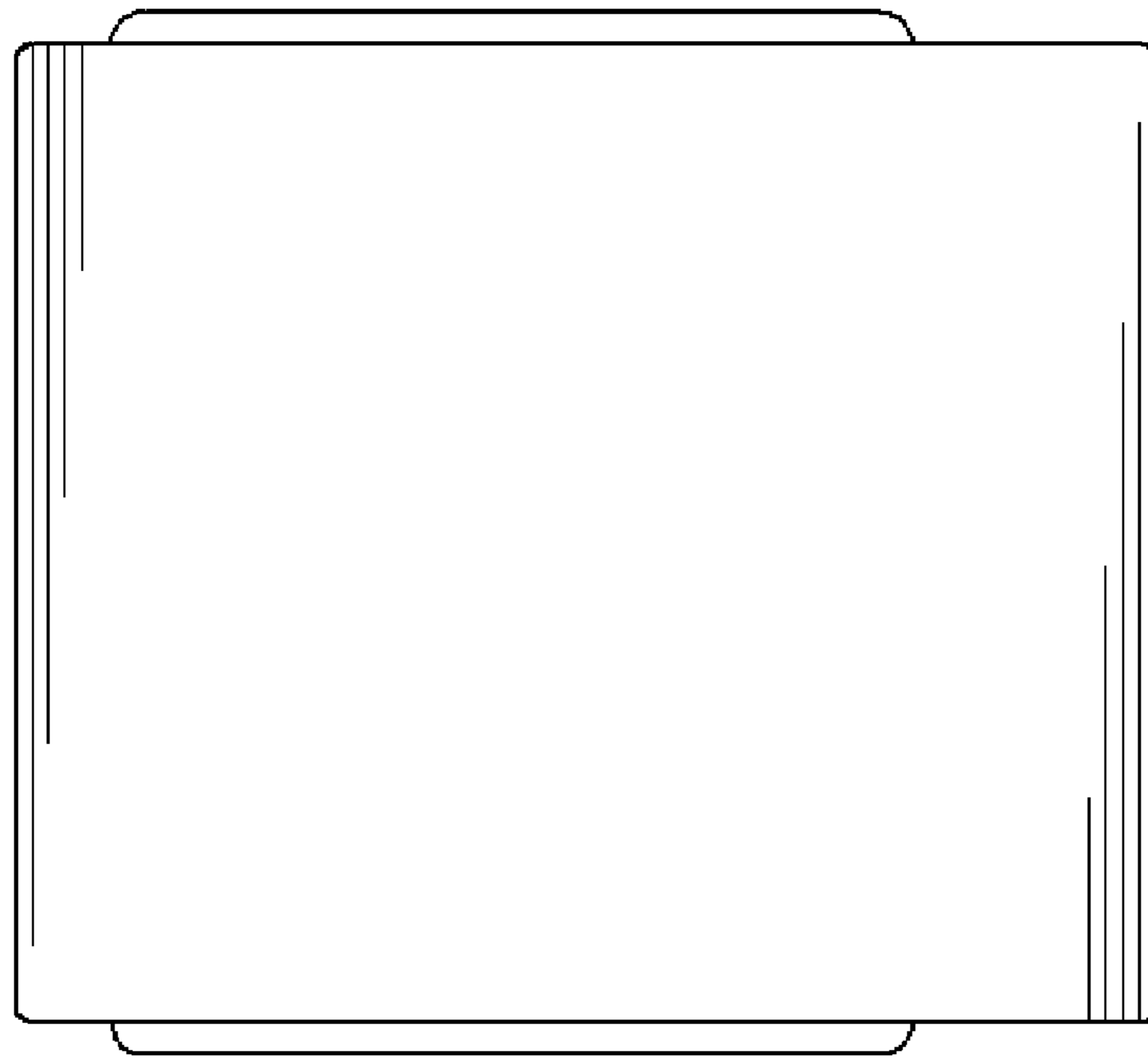


FIG. 6

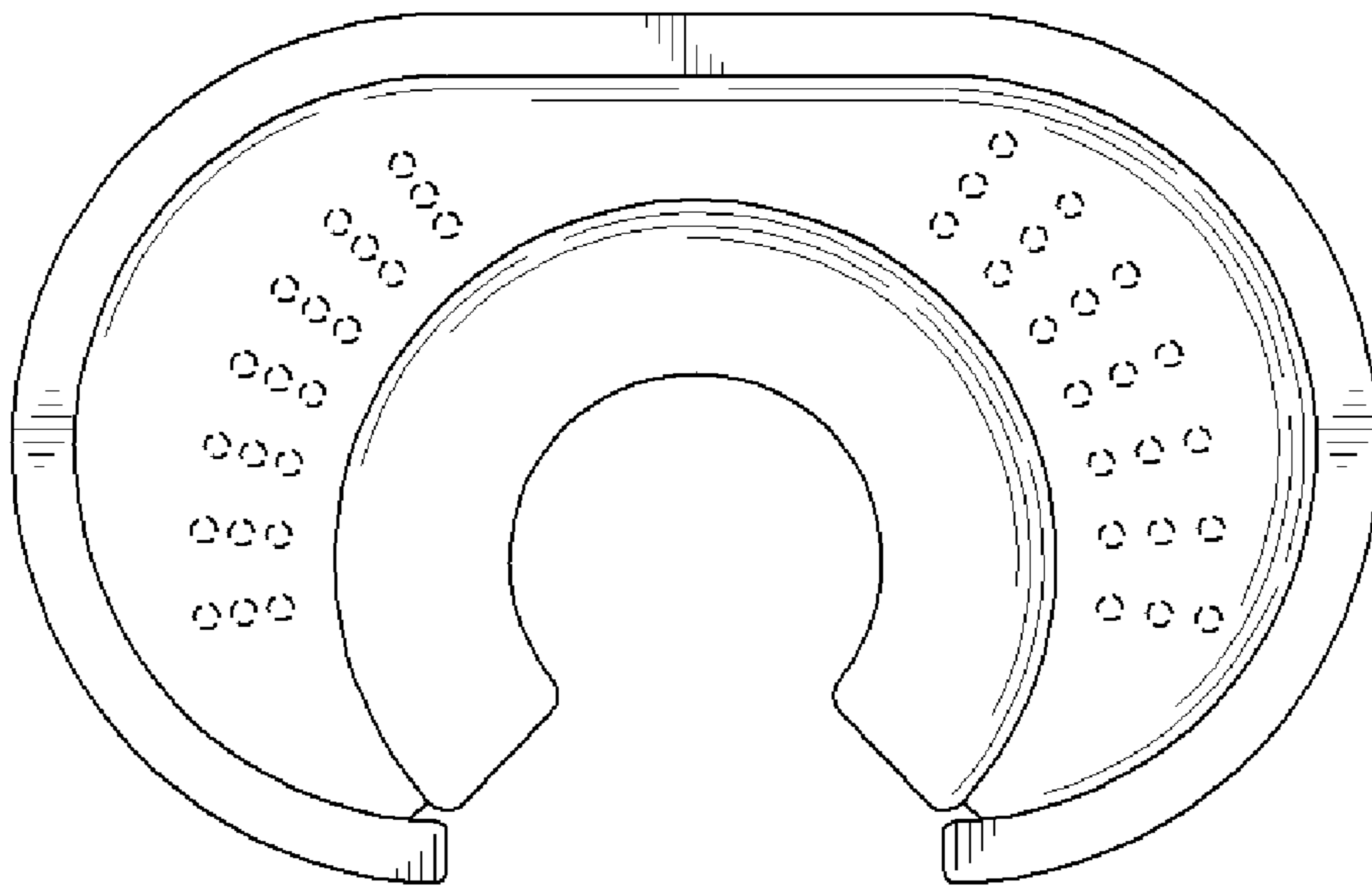


FIG. 7

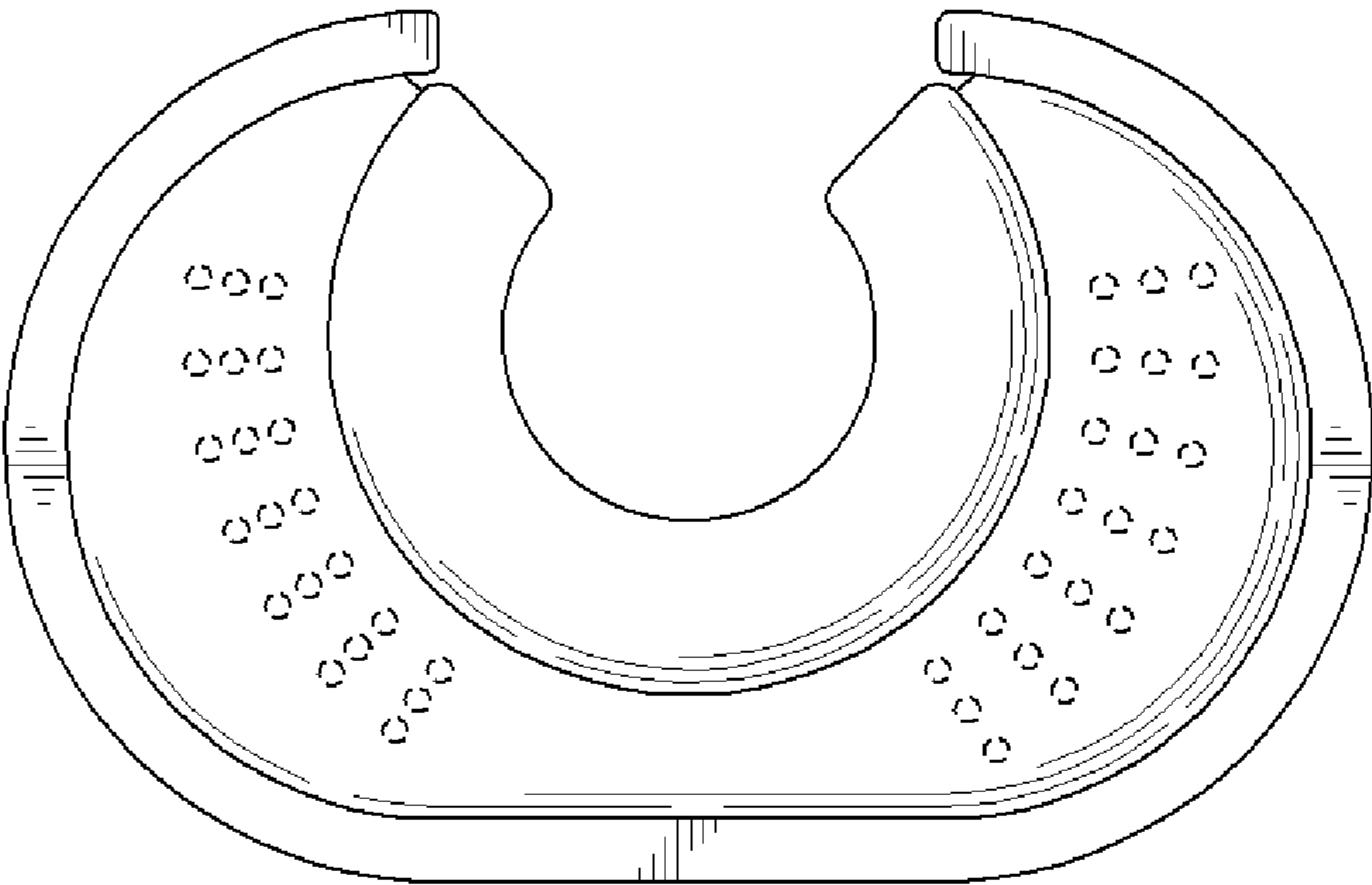


FIG. 8