



US00D608784S

(12) **United States Design Patent**
Biheller

(10) **Patent No.:** **US D608,784 S**
(45) **Date of Patent:** **** Jan. 26, 2010**

(54) **WIRELESS CONTROLLER**

(75) Inventor: **Jason Biheller**, Malibu, CA (US)

(73) Assignee: **Dreamgear, LLC**, Torrance, CA (US)

(**) Term: **14 Years**

(21) Appl. No.: **29/332,480**

(22) Filed: **Feb. 17, 2009**

(51) **LOC (9) Cl.** **14-02**

(52) **U.S. Cl.** **D14/401; D21/333**

(58) **Field of Classification Search** D14/217,
D14/218, 356, 388, 399-401, 412-416, 432,
D14/434, 454-457, 496; D21/324, 332,
D21/333; 463/1, 30, 36-38, 46, 47; 345/156-161,
345/905

See application file for complete search history.

(56) **References Cited**

U.S. PATENT DOCUMENTS

D410,914 S *	6/1999	Tyler et al.	D14/401
D424,047 S *	5/2000	Chan	D14/401
D425,047 S *	5/2000	Tyler et al.	D14/401
D441,369 S *	5/2001	Goto	D14/413
D443,877 S *	6/2001	Goto	D14/413
D444,469 S *	7/2001	Goto	D14/413
D469,436 S *	1/2003	Hussaini et al.	D14/401

D469,766 S *	2/2003	Hussaini et al.	D14/401
D491,183 S *	6/2004	Swan et al.	D14/401
D522,011 S *	5/2006	Hayes et al.	D14/454
D547,763 S *	7/2007	Hayes et al.	D14/454
D558,766 S *	1/2008	Kutaragi et al.	D14/401
D571,368 S *	6/2008	Salter	D14/401
D572,254 S *	7/2008	Goto	D14/401

* cited by examiner

Primary Examiner—Stella M Reid

Assistant Examiner—Keli L Hill

(74) *Attorney, Agent, or Firm*—Christie, Parker & Hale, LLP.

(57) **CLAIM**

The ornamental design for wireless controller, as shown and described.

DESCRIPTION

FIG. 1 is a top plan view of the wireless controller of the invention.

FIG. 2 is a bottom view thereof.

FIG. 3 is a right side view thereof.

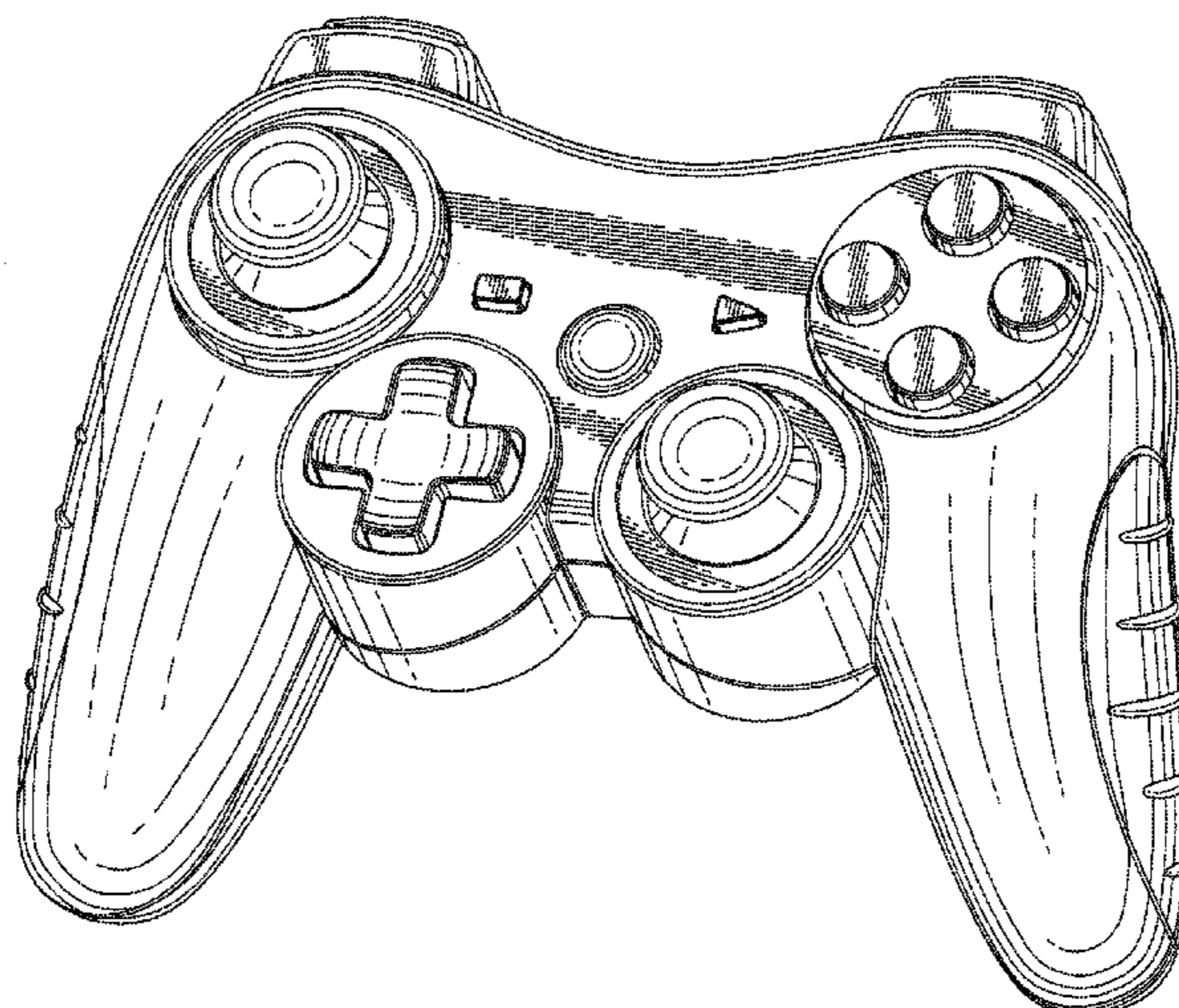
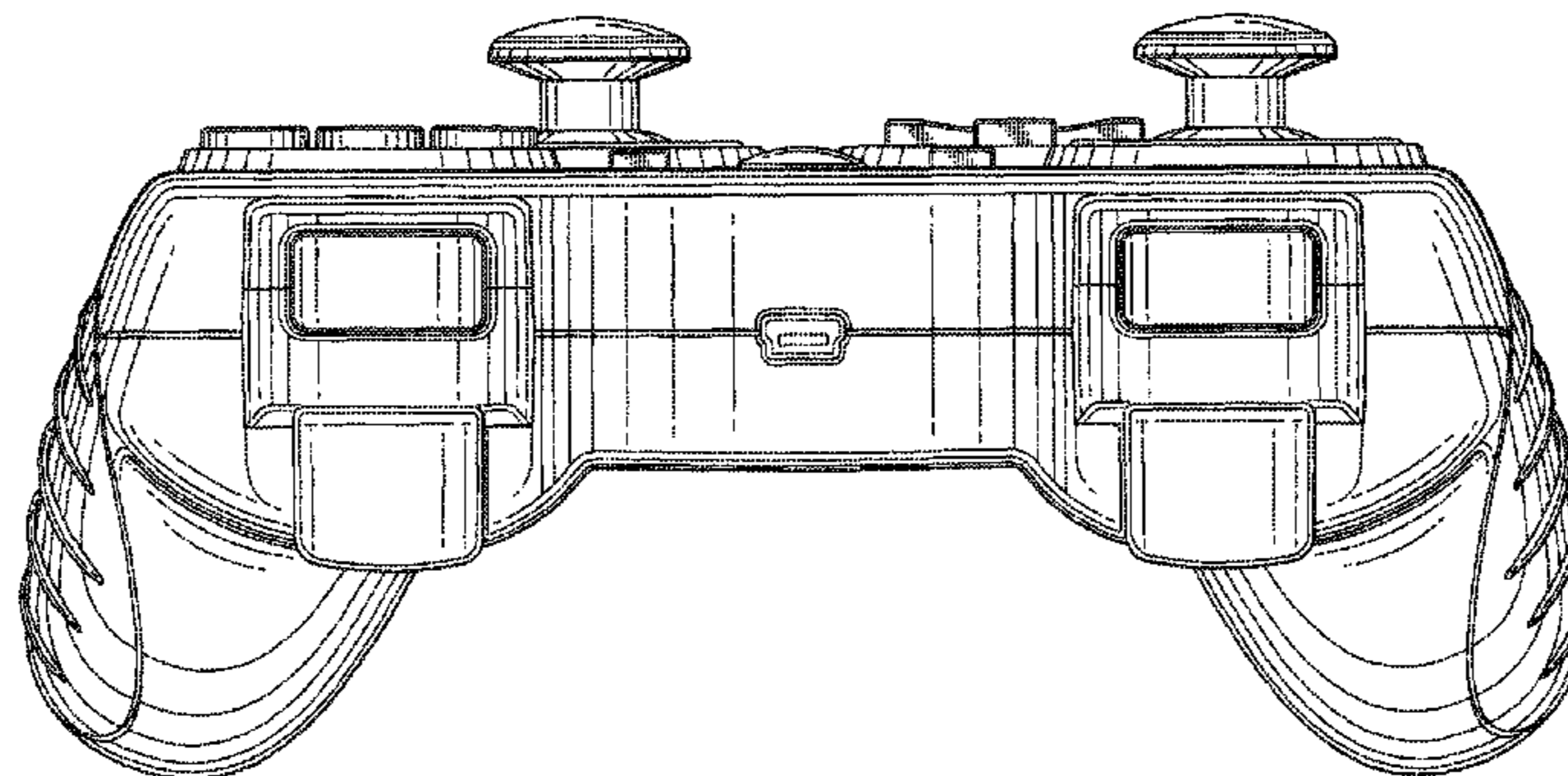
FIG. 4 is a left side view thereof.

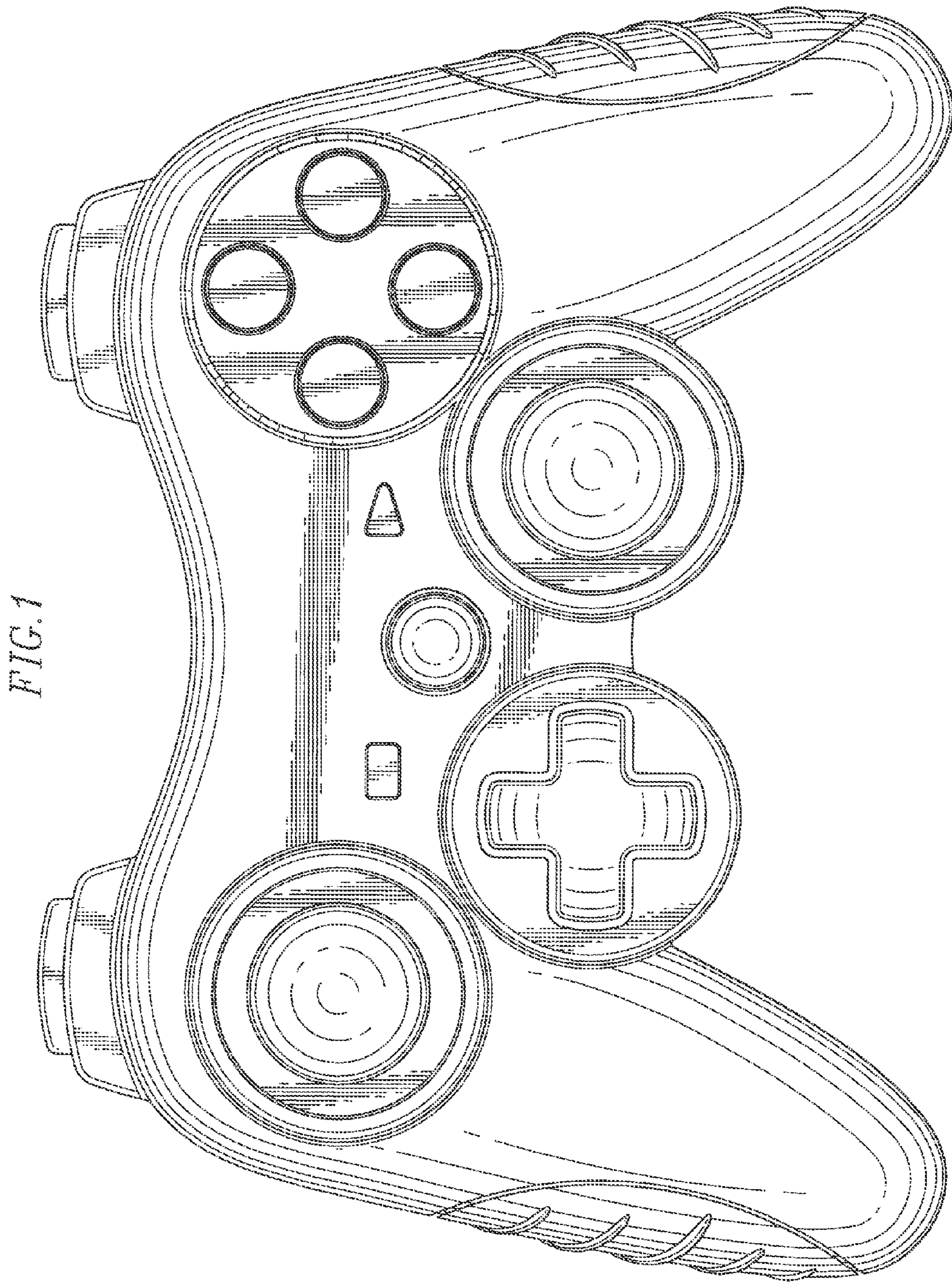
FIG. 5 is a front view thereof.

FIG. 6 is a rear view thereof; and,

FIG. 7 is a top left isometric view thereof.

1 Claim, 7 Drawing Sheets





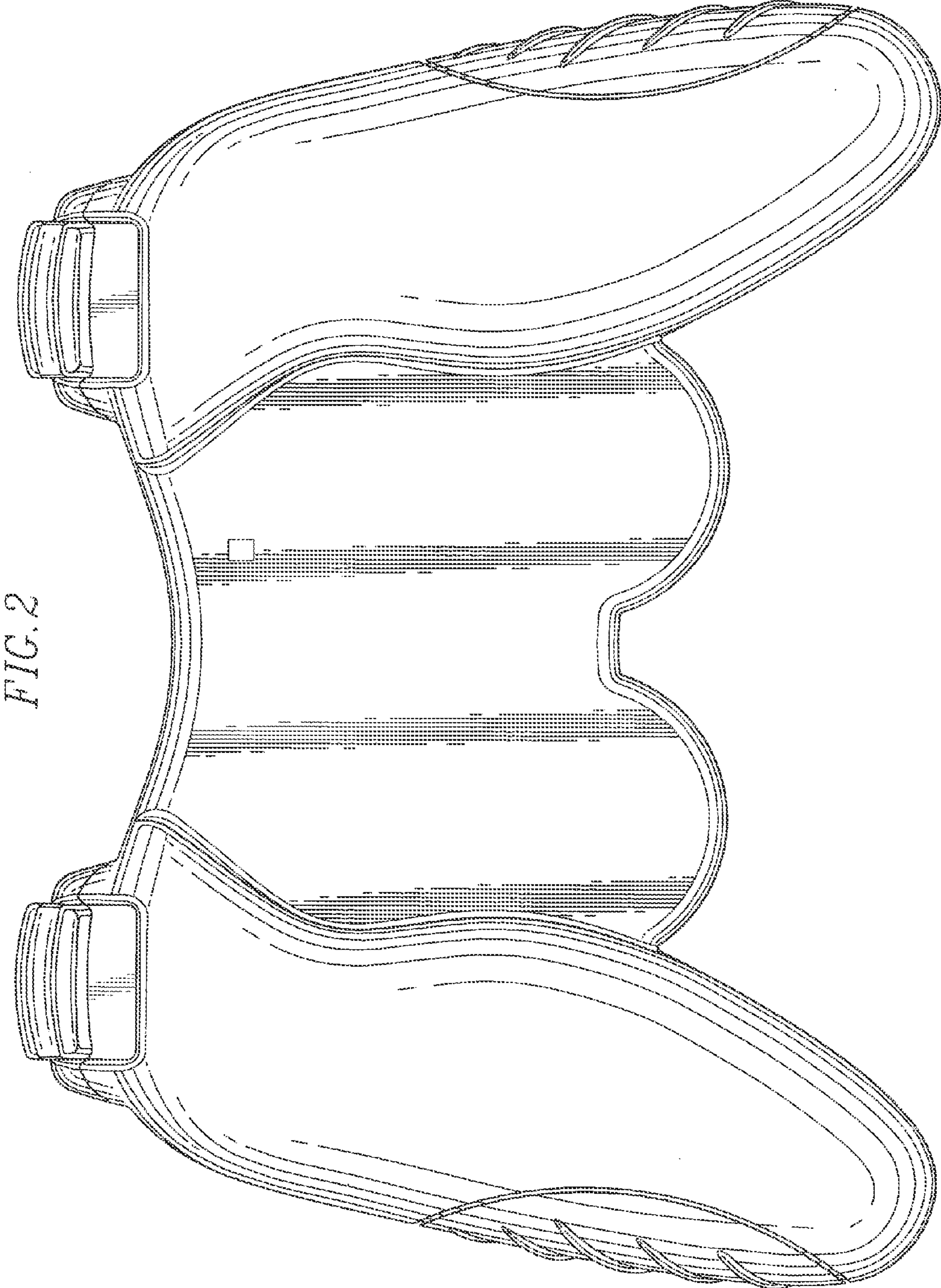


FIG. 2

FIG. 3

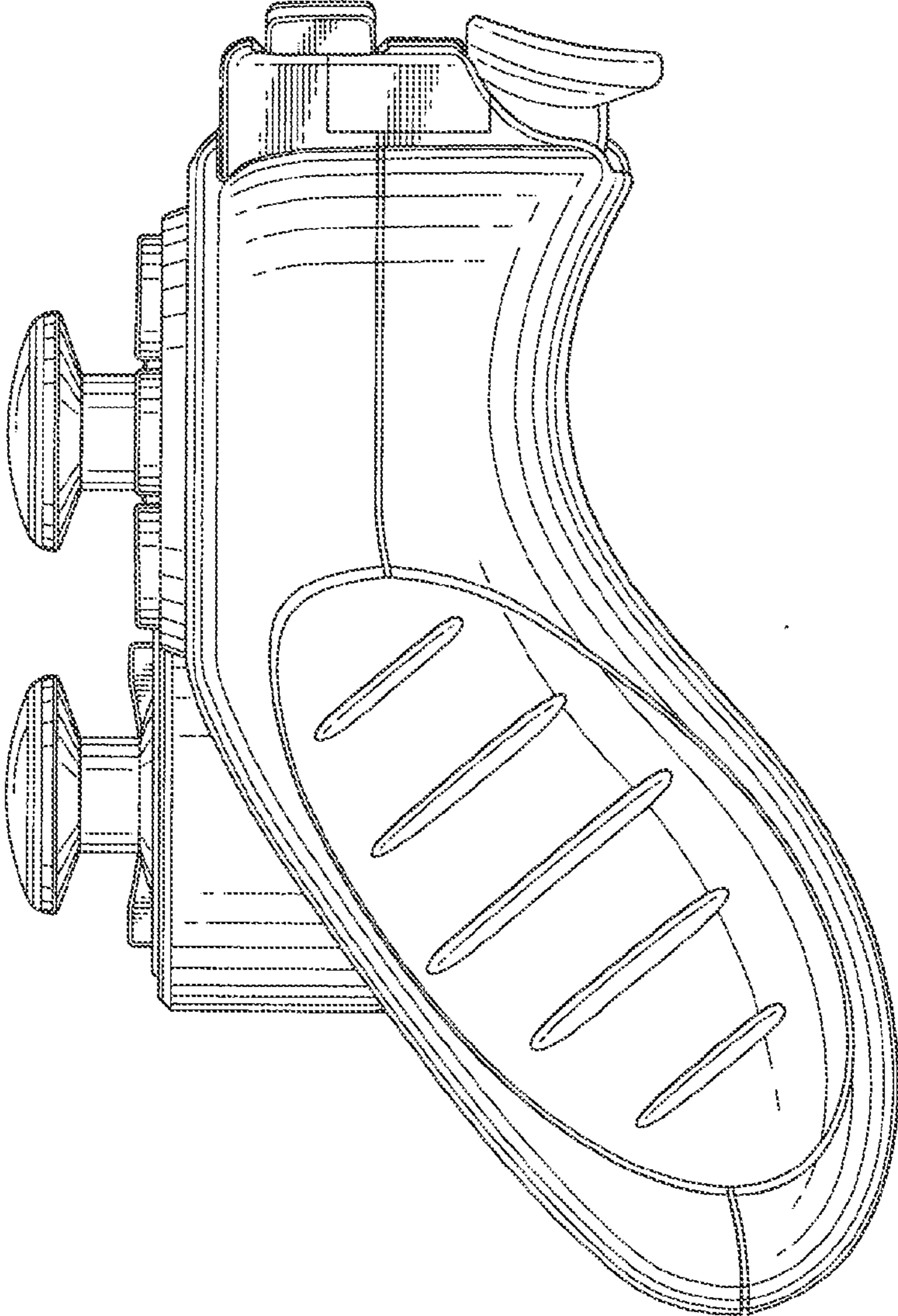


FIG. 4

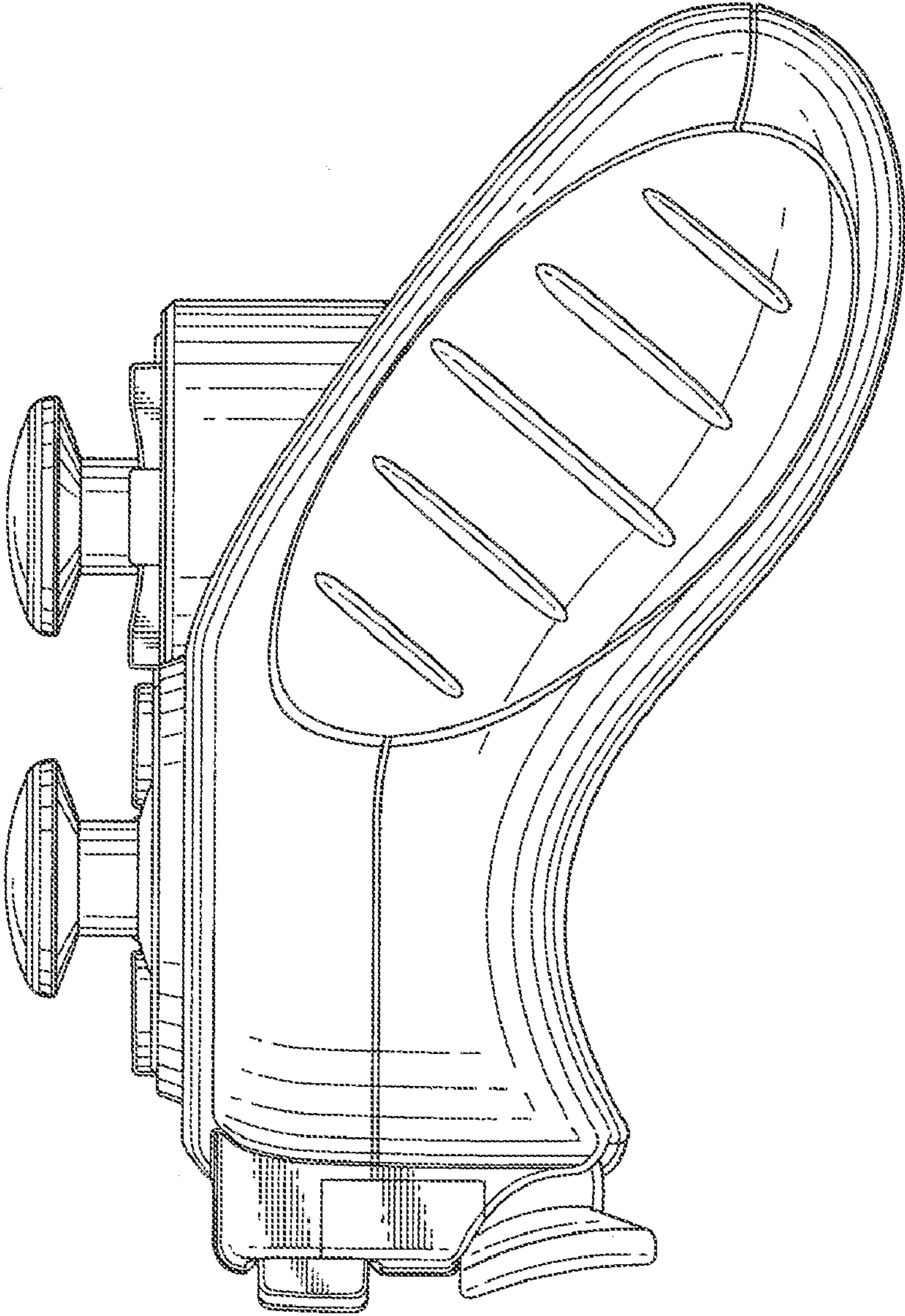


FIG. 5

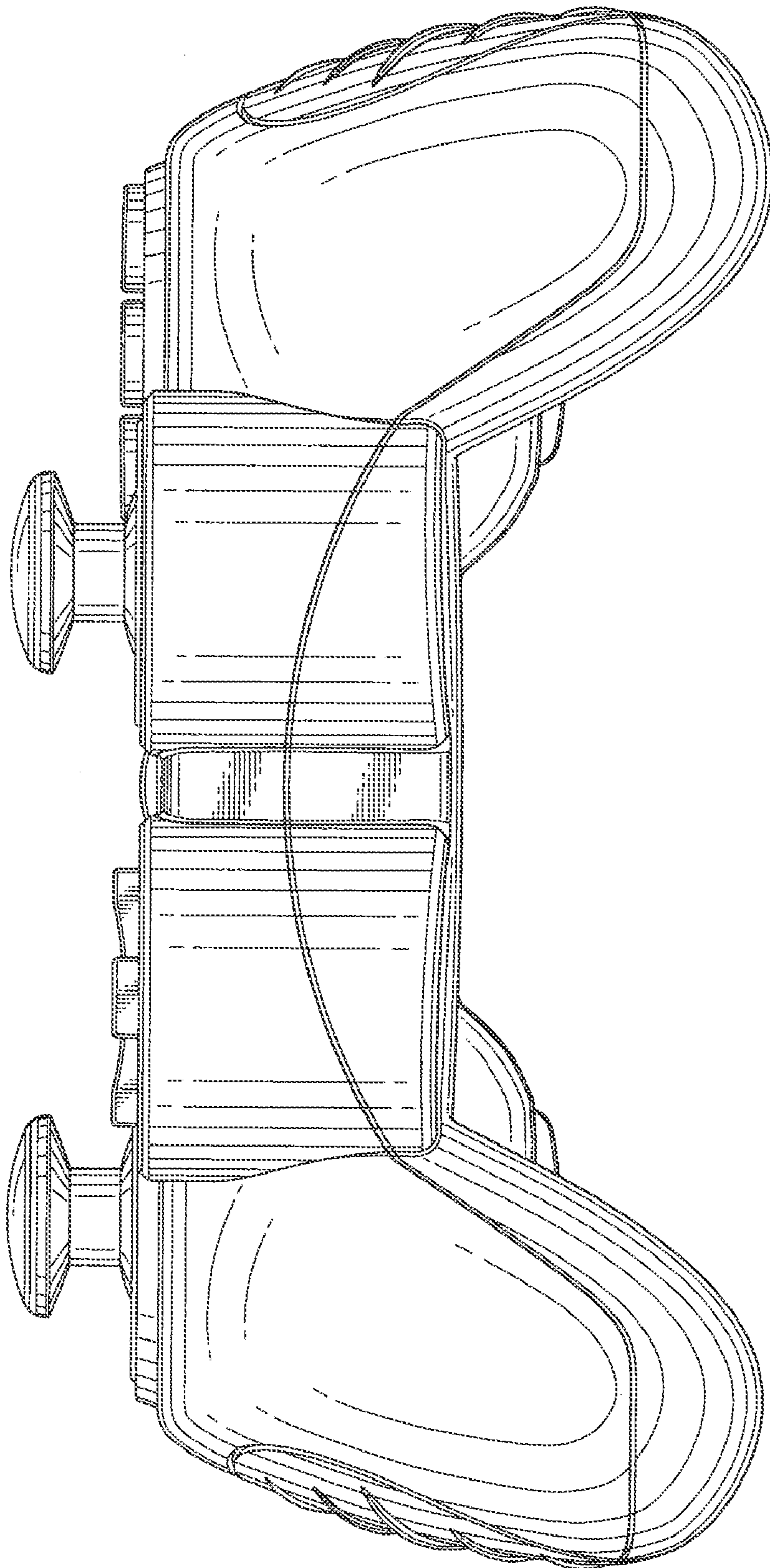


FIG. 6

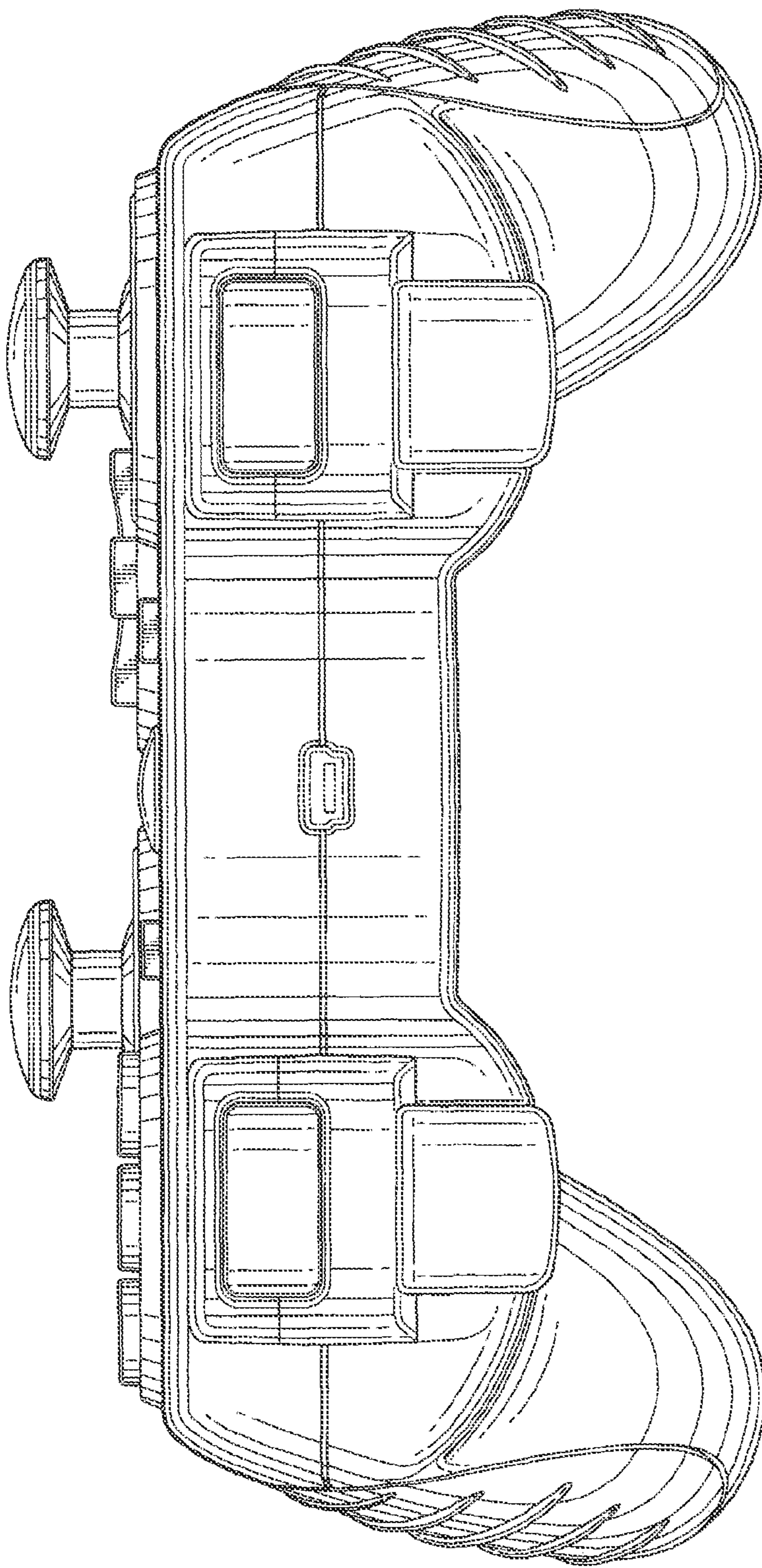


FIG. 7

