



US00D608781S

(12) **United States Design Patent**
Wada

(10) **Patent No.:** **US D608,781 S**
(45) **Date of Patent:** **** Jan. 26, 2010**

(54) **DISPLAY**
(75) Inventor: **Takayuki Wada**, Tokyo (JP)
(73) Assignee: **Sony Corporation**, Tokyo (JP)
(**) Term: **14 Years**

D569,373 S * 5/2008 Lee et al. D14/341
D571,798 S 6/2008 Ogasawara
D571,799 S * 6/2008 Ogasawara D14/341
D579,930 S * 11/2008 Maskatia D14/341
D582,916 S * 12/2008 Wada D14/371
D582,917 S * 12/2008 Wada D14/371

(21) Appl. No.: **29/311,253**
(22) Filed: **Jan. 30, 2009**

FOREIGN PATENT DOCUMENTS

(30) **Foreign Application Priority Data**
Jul. 31, 2008 (JP) D2008-019735

JP D1045550 S 8/1999
JP D1221658 S 11/2004
JP D1264259 S 3/2006
JP D1264663 S 3/2006
JP D1274701 S 6/2006
JP D1281709 S 9/2006
JP D1290160 S 12/2006
JP D1302914 S 6/2007
JP D1308617 S 8/2007
JP D1308878 S 8/2007
JP D1330511 S 5/2008

(51) **LOC (9) Cl.** **14-02**
(52) **U.S. Cl.** **D14/371; D14/341; D14/336;**
D10/65
(58) **Field of Classification Search** D14/341-346,
D14/336, 337, 371, 374; 345/104, 133, 156,
345/168, 173; 348/180, 184, 325, 739; 385/88;
361/680-686; 710/62; D10/65
See application file for complete search history.

* cited by examiner

Primary Examiner—Freda S Nunn
(74) *Attorney, Agent, or Firm*—Rader, Fishman & Grauer,
PLLC

(56) **References Cited**
U.S. PATENT DOCUMENTS

(57) **CLAIM**

The ornamental design for a display, as shown.

D356,547 S * 3/1995 Silva et al. D14/341
D418,117 S * 12/1999 Wade et al. D14/342
6,065,880 A * 5/2000 Thompson 385/88
6,182,169 B1 * 1/2001 Force et al. 710/62
D441,359 S * 5/2001 Iseki et al. D14/341
6,483,445 B1 * 11/2002 England 341/22
D480,084 S * 9/2003 Borsboom et al. D14/374
D491,560 S * 6/2004 Hsu Li D14/371
D492,323 S * 6/2004 Wang D14/203.7
7,016,182 B2 * 3/2006 Brandenburg et al. .. 361/679.06
D526,222 S 8/2006 Uehara
D531,070 S * 10/2006 Chun et al. D10/65
D543,876 S * 6/2007 Kalis et al. D10/65
D551,664 S * 9/2007 Lin et al. D14/341
D564,374 S * 3/2008 Wada D10/65
7,366,609 B2 * 4/2008 Lee 701/213

DESCRIPTION

FIG. 1 is a perspective view of a display showing my new design;
FIG. 2 is a front elevational view thereof;
FIG. 3 is a rear elevational view thereof;
FIG. 4 is a left side elevational view thereof;
FIG. 5 is a right side elevational view thereof;
FIG. 6 is a top plan view thereof; and,
FIG. 7 is a bottom plan view thereof.

1 Claim, 10 Drawing Sheets

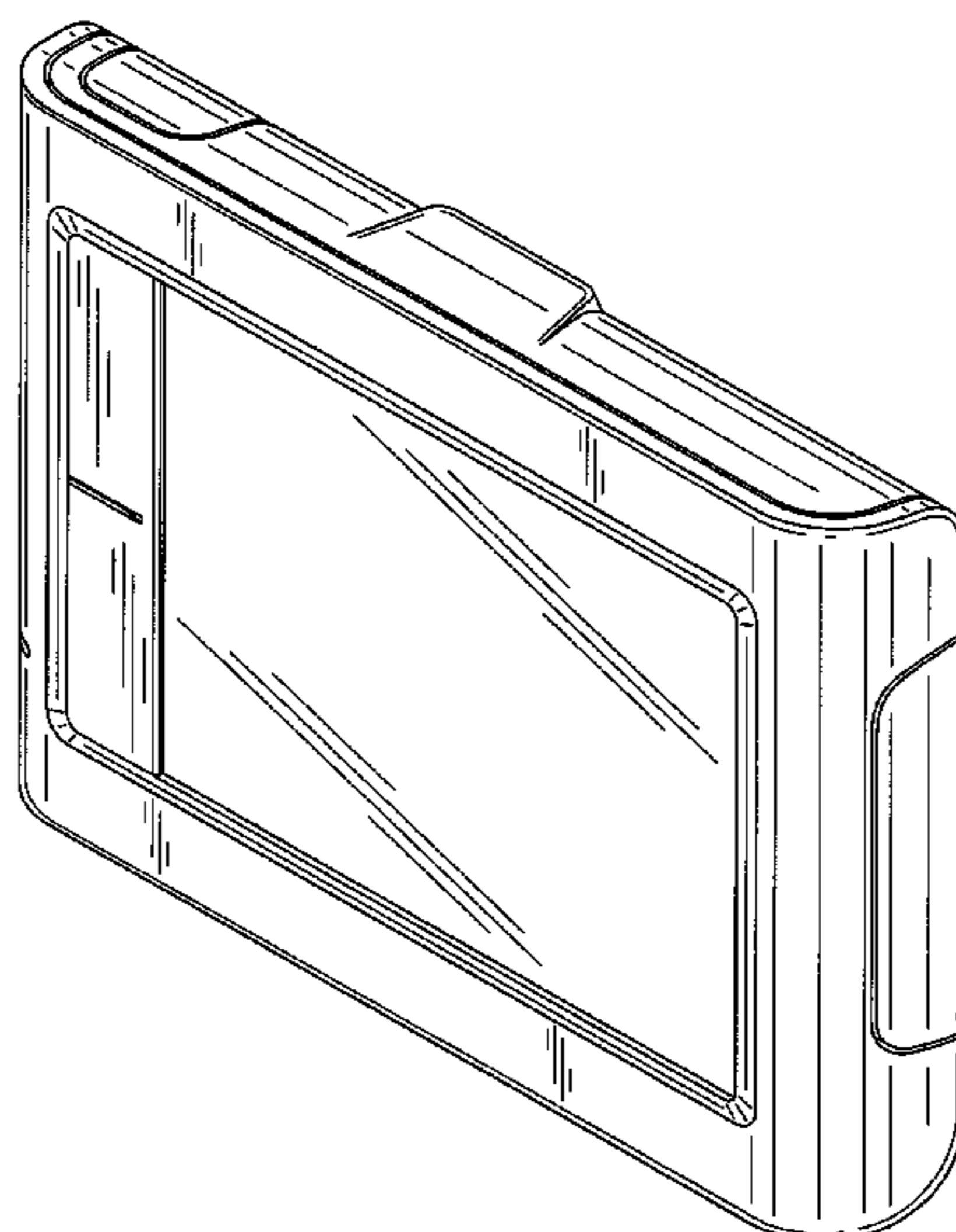


Fig.1

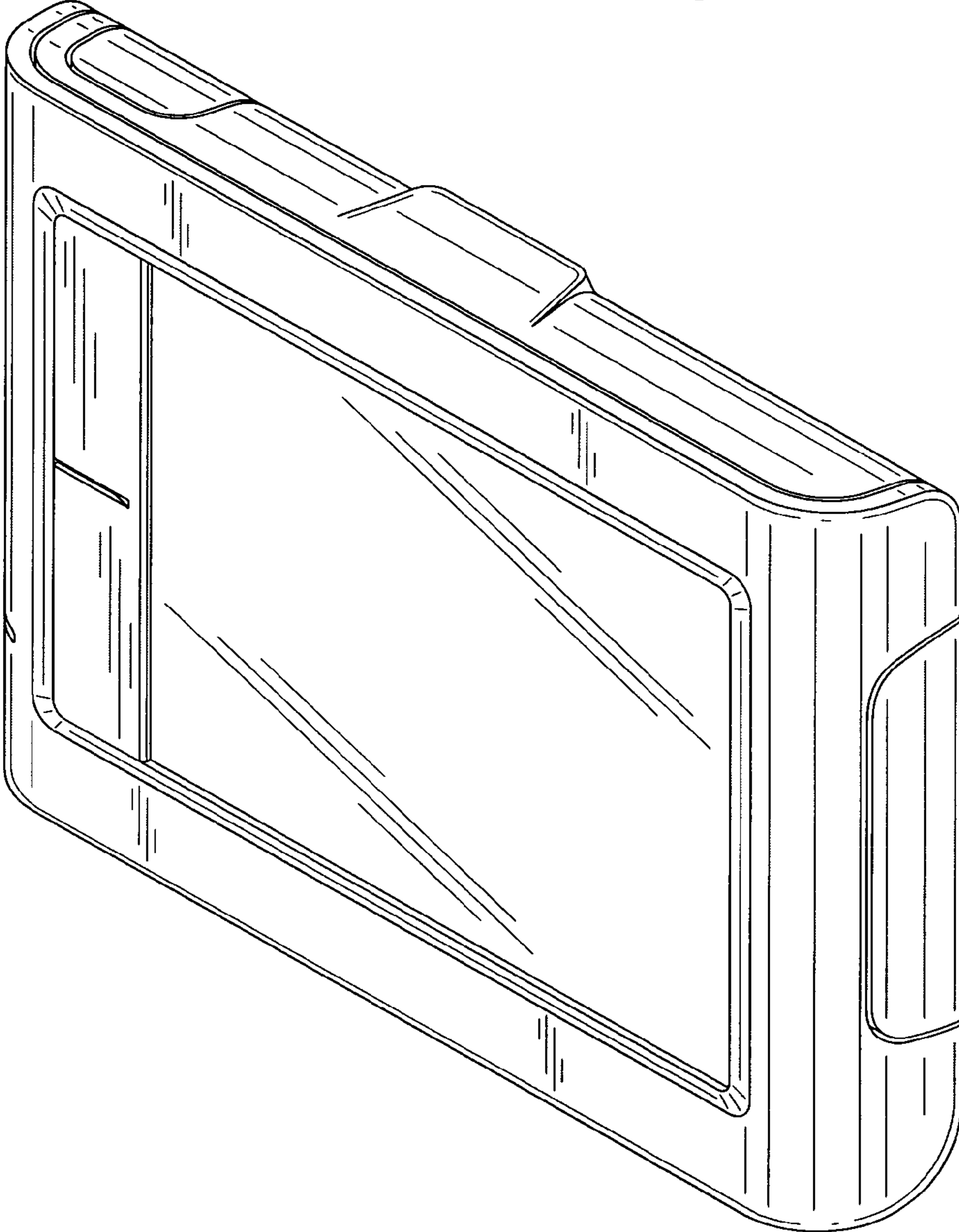


Fig.2

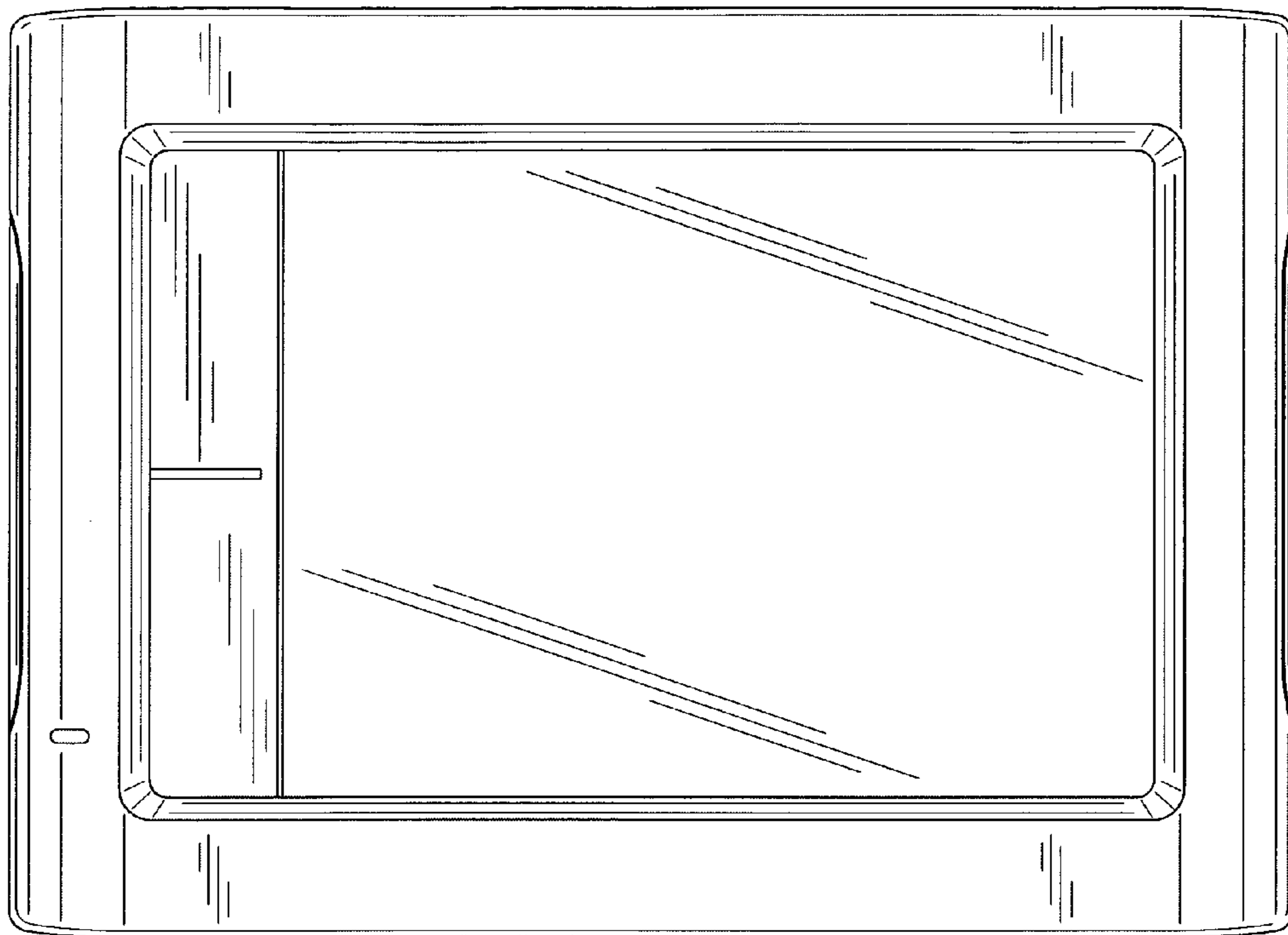


Fig.3

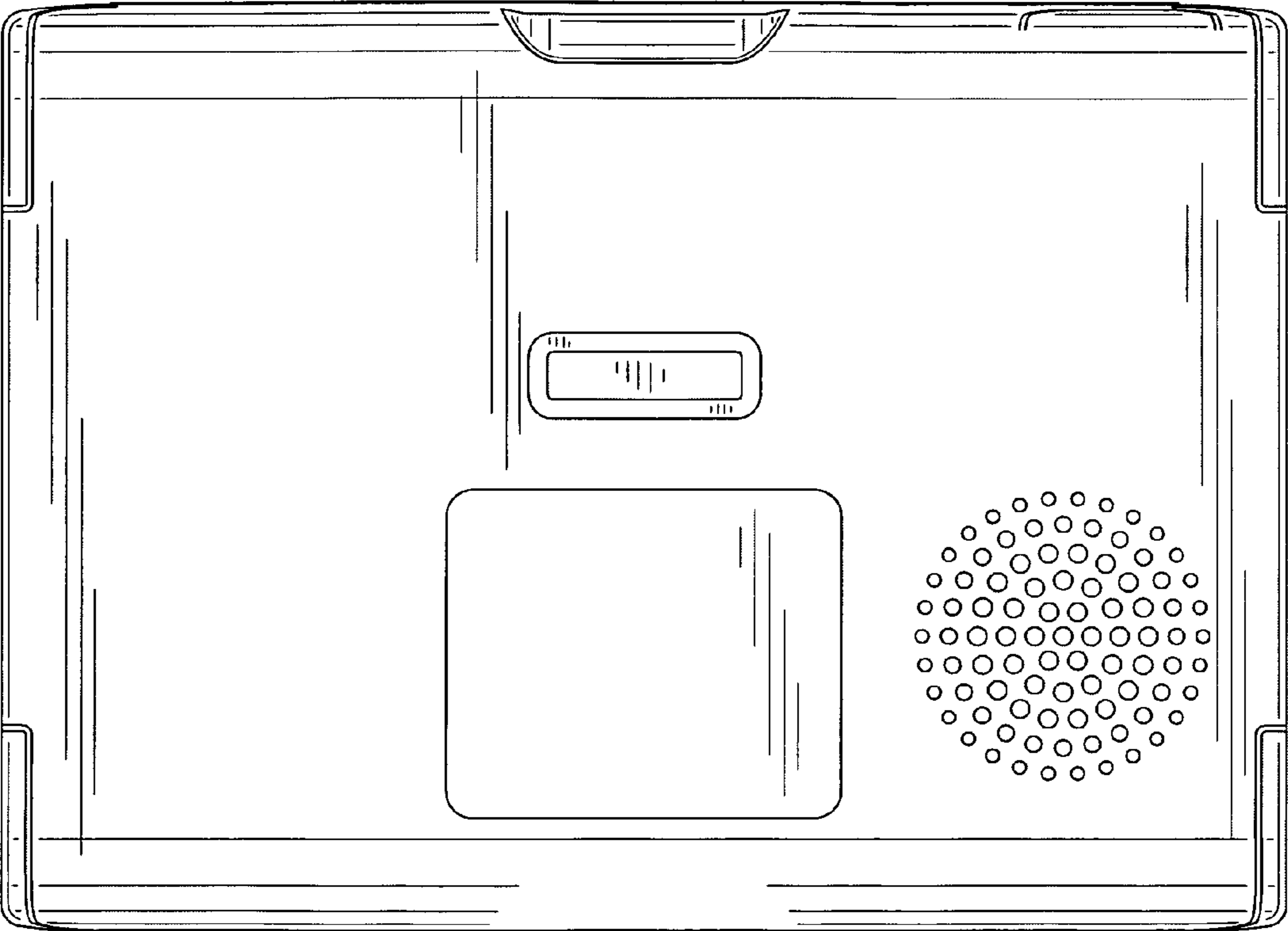


Fig.4

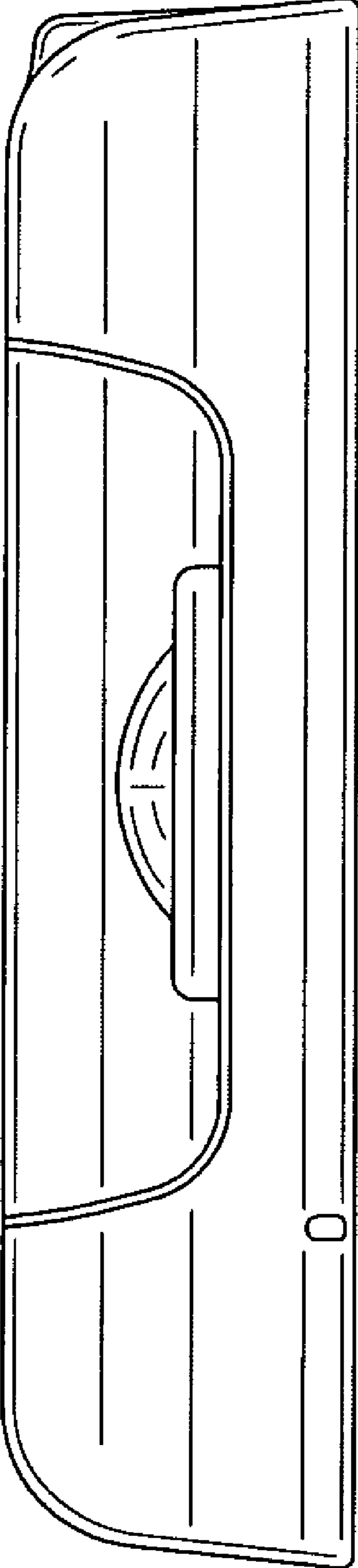


Fig.5

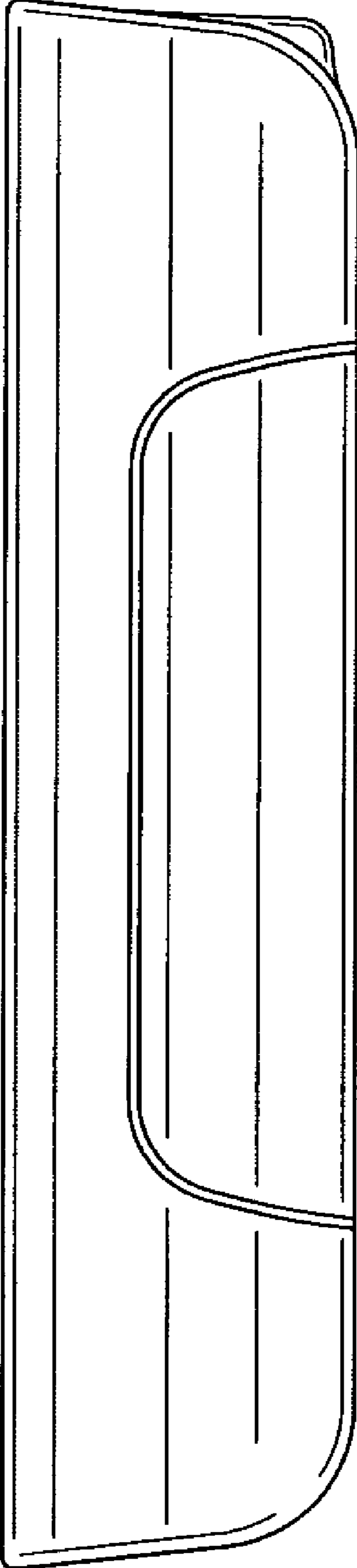


Fig.6

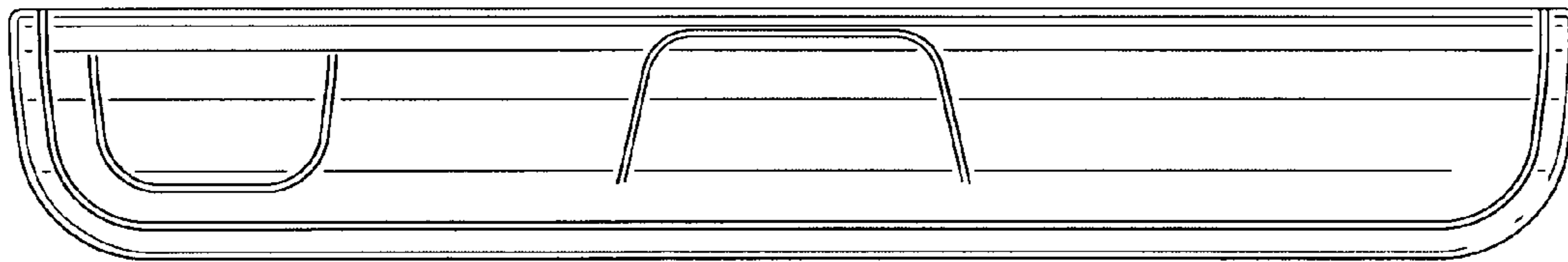
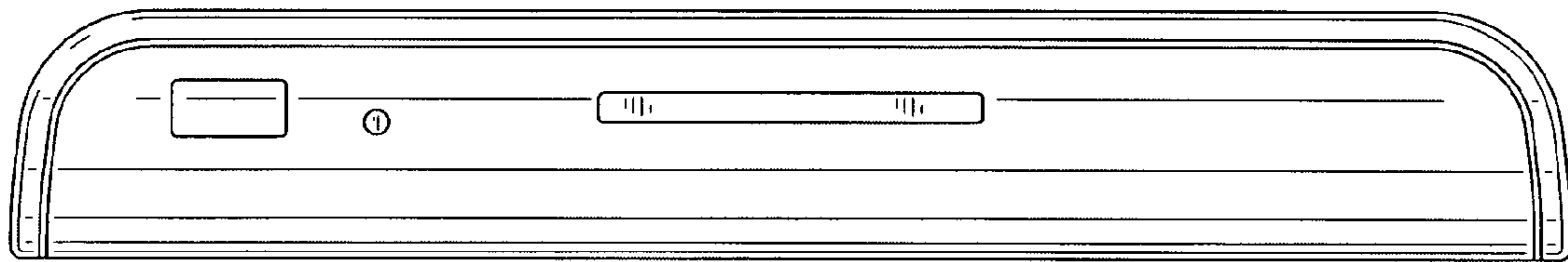


Fig.7



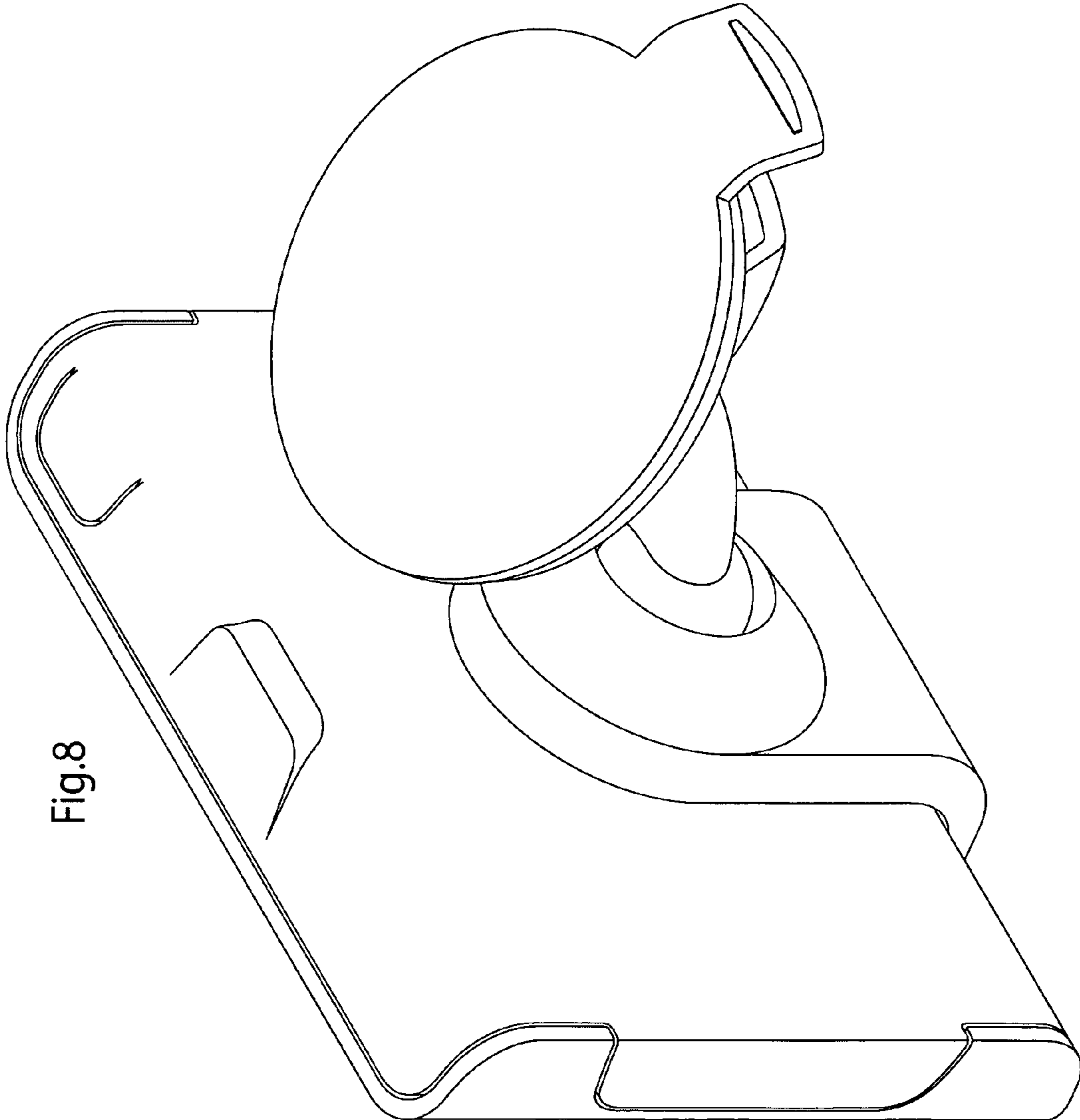


Fig.8

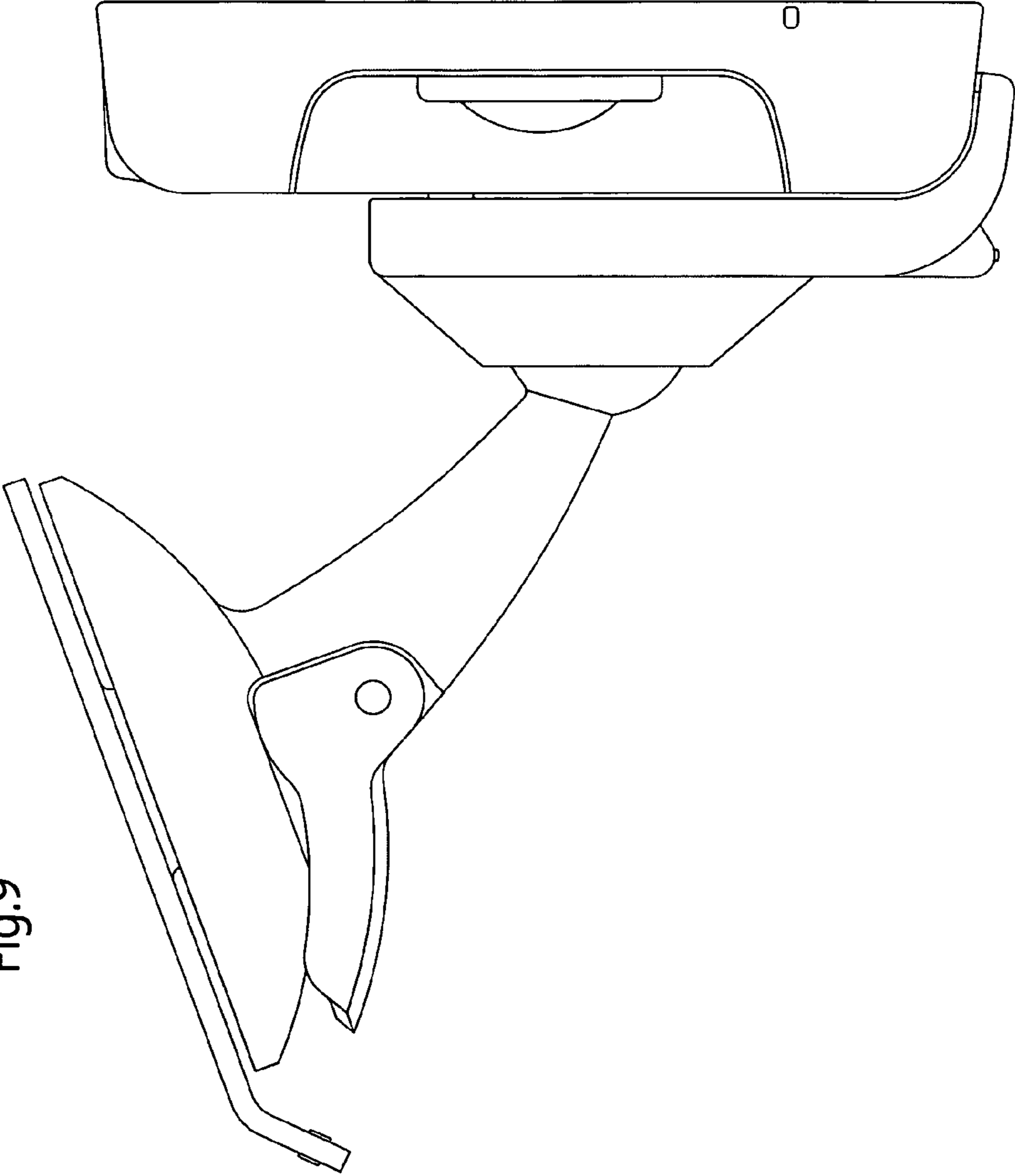


Fig.9

Fig.10

