



US00D608779S

(12) **United States Design Patent**
Chen et al.

(10) **Patent No.:** **US D608,779 S**
(45) **Date of Patent:** **** Jan. 26, 2010**

(54) **COMPUTER ENCLOSURE**

(75) Inventors: **Yun-Lung Chen**, Taipei Hsien (TW);
Hong-Jin Wu, Shenzhen (CN); **Qun Wang**, Shenzhen (CN)

(73) Assignee: **Hon Hai Precision Industry Co., Ltd.**,
Tu-Cheng, Taipei Hsien (TW)

(**) Term: **14 Years**

(21) Appl. No.: **29/334,500**

(22) Filed: **Mar. 27, 2009**

(51) **LOC (9) Cl.** **14-02**

(52) **U.S. Cl.** **D14/349**

(58) **Field of Classification Search** D14/308,
D14/313, 349-361, 388, 300, 301; D13/162,
D13/184, 199; 312/223.1-223.3; 360/99.01-99.12;
361/680-686, 690-696; 369/34.01, 36.01;
358/496

See application file for complete search history.

(56) **References Cited**

U.S. PATENT DOCUMENTS

D362,843 S *	10/1995	Alfonso et al.	D14/349
D371,544 S *	7/1996	Vossoughi	D14/349
D375,944 S *	11/1996	Franz et al.	D14/349
6,297,952 B1 *	10/2001	Liu et al.	361/679.31
D466,506 S *	12/2002	Matsuoka	D14/349

6,549,398 B2 *	4/2003	Chen	361/679.58
D514,557 S *	2/2006	Crisp	D14/301
D523,427 S *	6/2006	Tsuzuki et al.	D14/300
D530,324 S *	10/2006	Sun et al.	D14/349
2003/0122457 A1 *	7/2003	Diaz et al.	312/223.2
2004/0017136 A1 *	1/2004	Liu	312/204
2005/0012436 A1 *	1/2005	Lai	312/223.2

* cited by examiner

Primary Examiner—Freda S Nunn

(74) *Attorney, Agent, or Firm*—Clifford O. Chi

(57) **CLAIM**

The ornamental design for a computer enclosure, as shown and described.

DESCRIPTION

FIG. 1 is a perspective view of a computer enclosure showing our new design;

FIG. 2 is a front elevational view thereof;

FIG. 3 is a left side elevational view thereof;

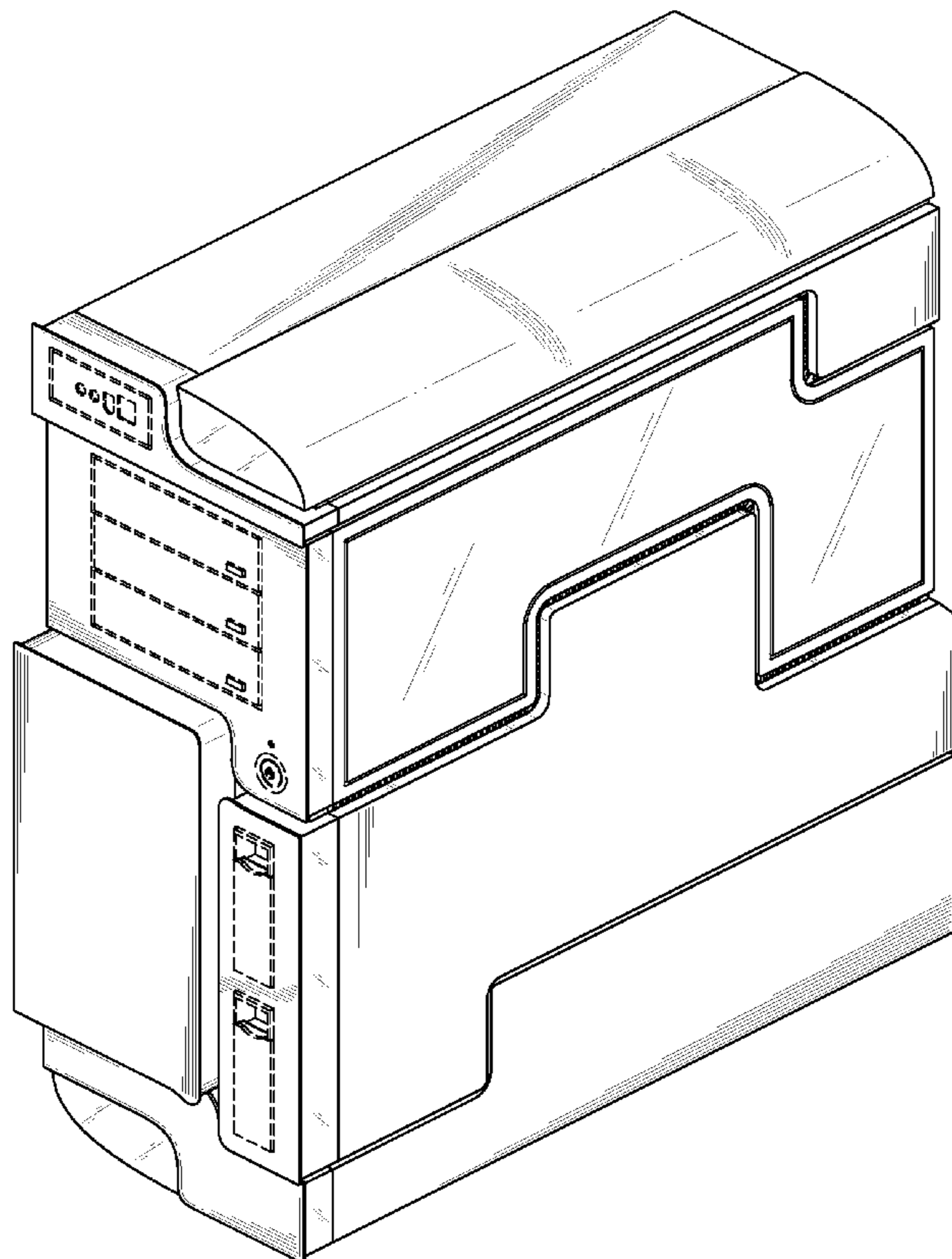
FIG. 4 is a right side elevational view thereof;

FIG. 5 is a top plan view thereof; and,

FIG. 6 is a bottom plan view thereof.

Broken lines shown in the drawings illustrate portions of the computer enclosure, and form no part of the claimed design.

1 Claim, 6 Drawing Sheets



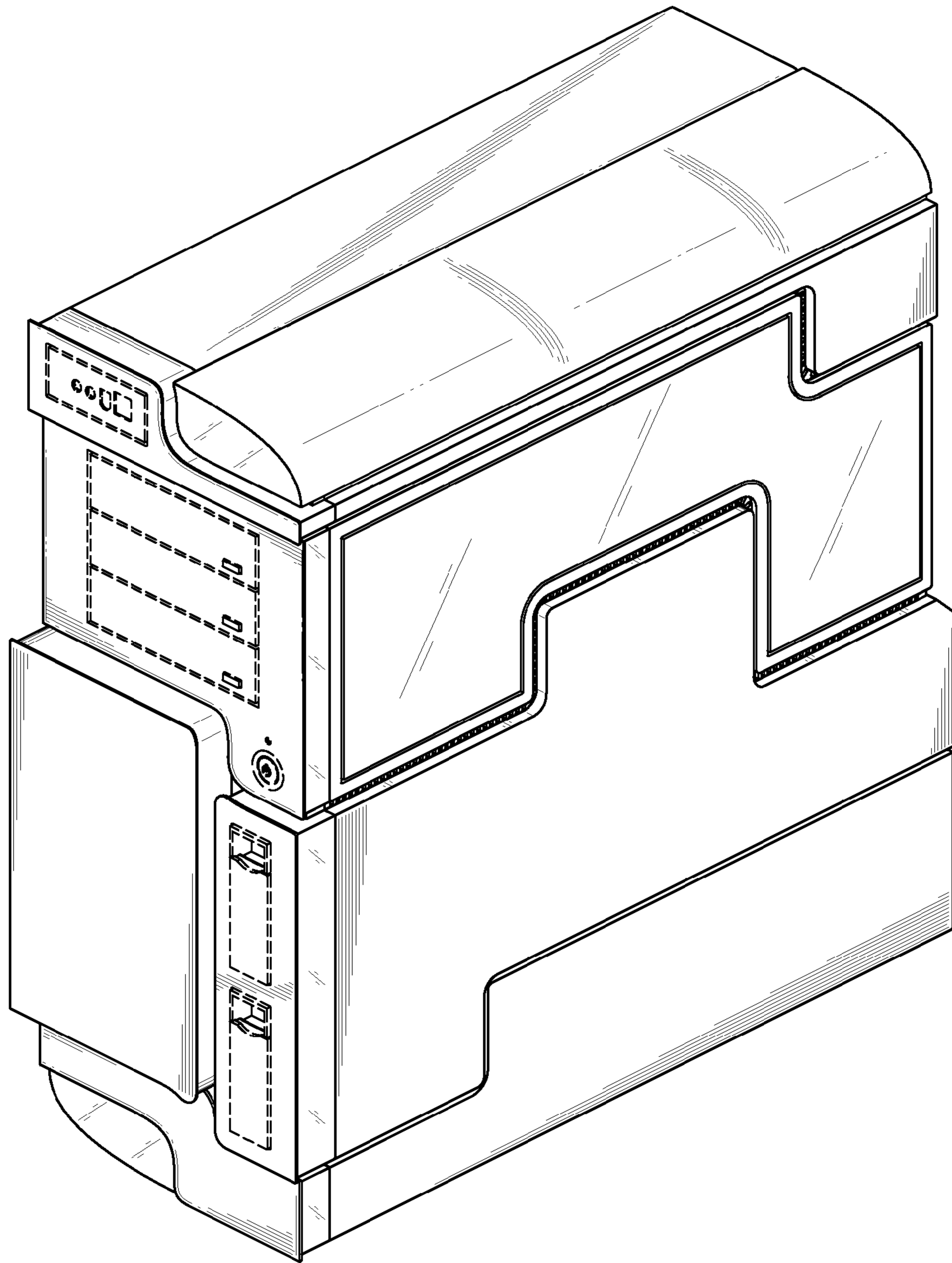


FIG. 1

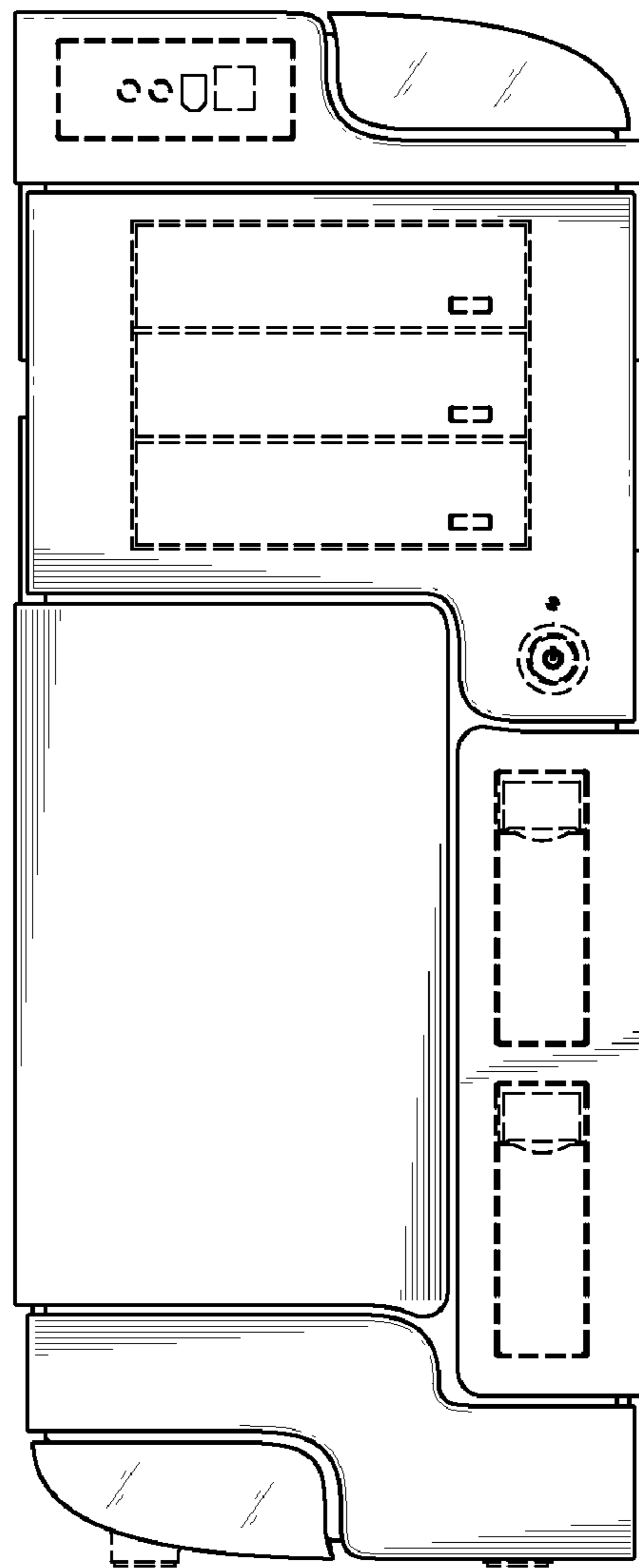


FIG. 2

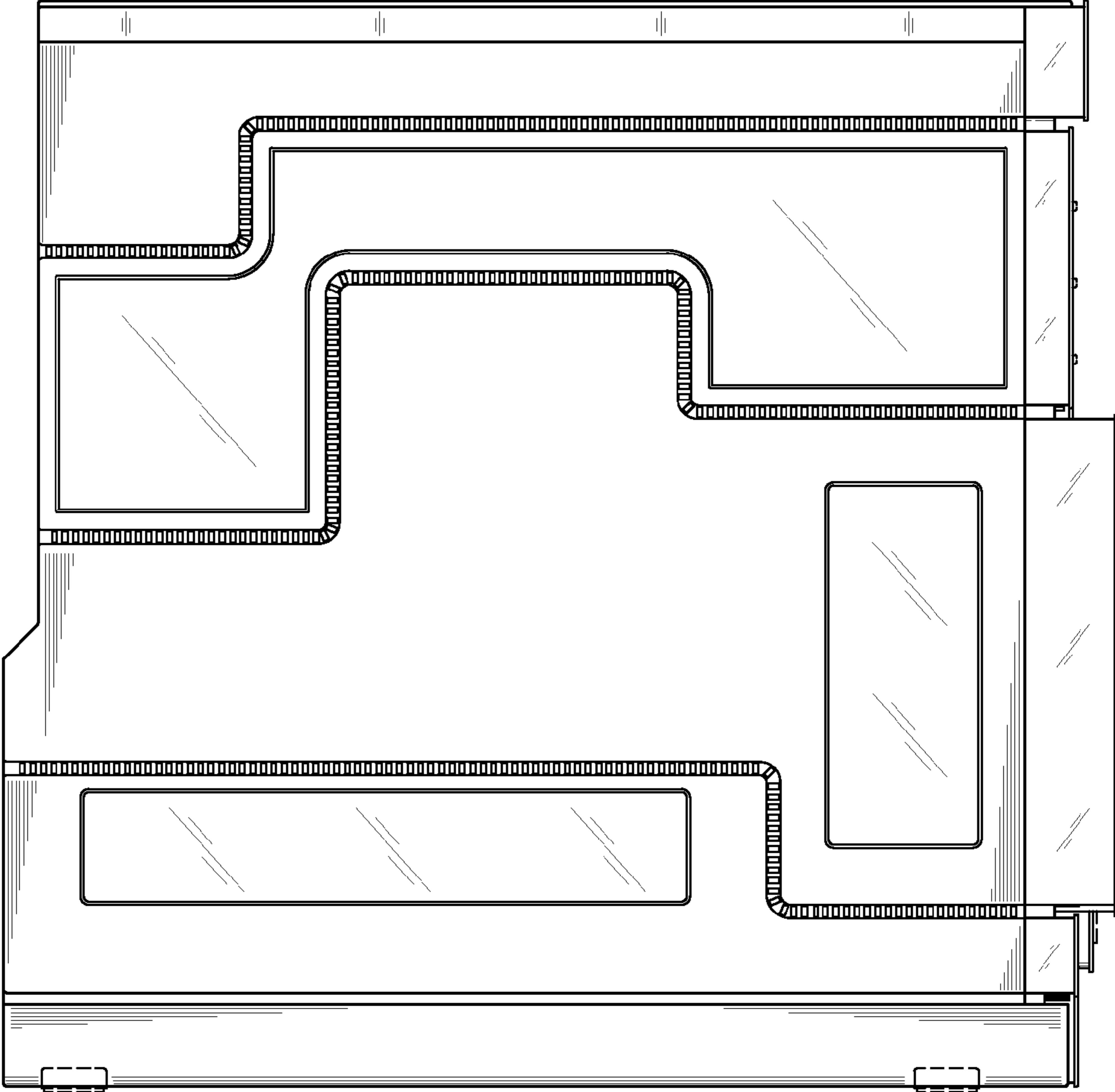


FIG. 3

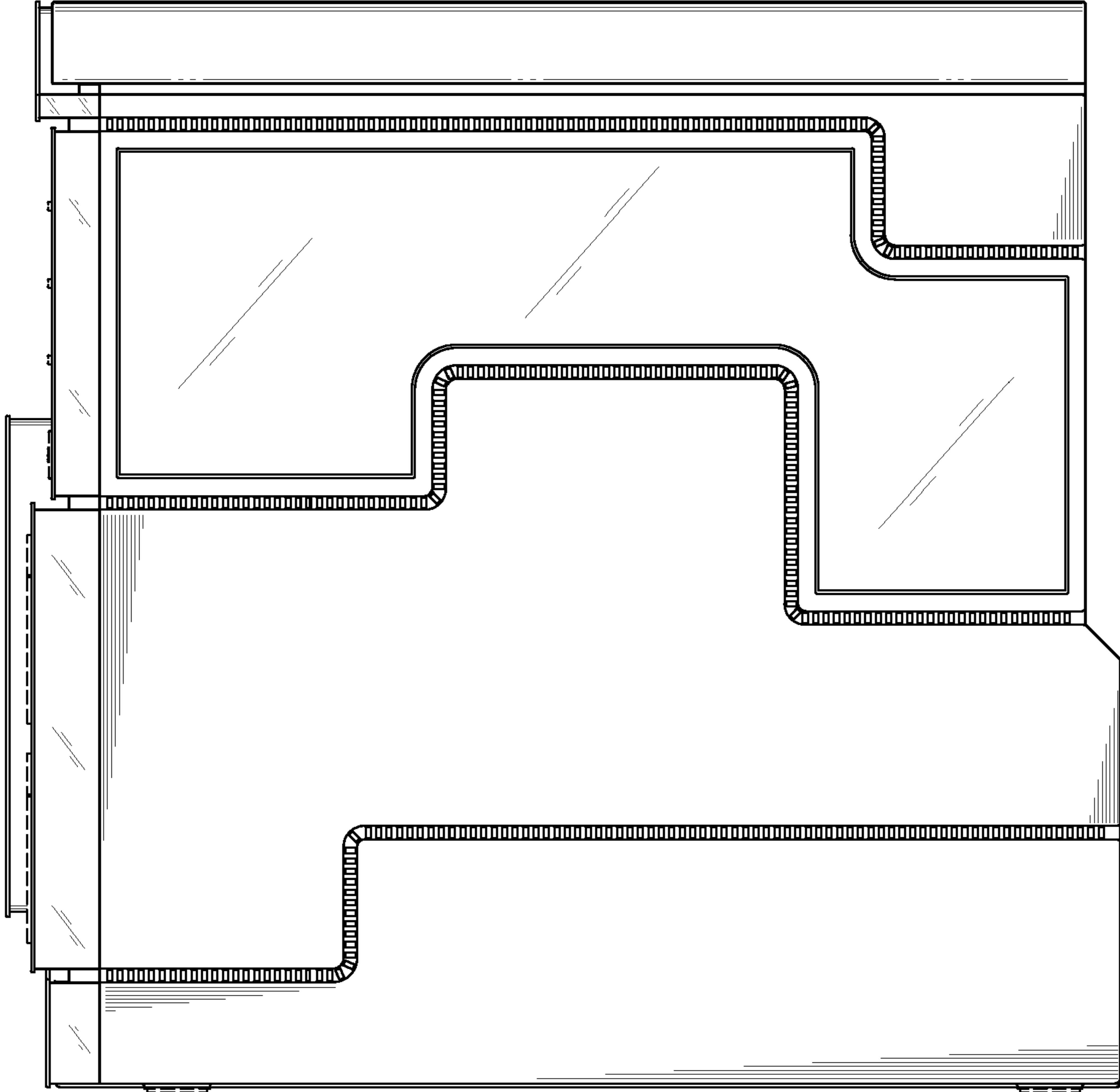


FIG. 4

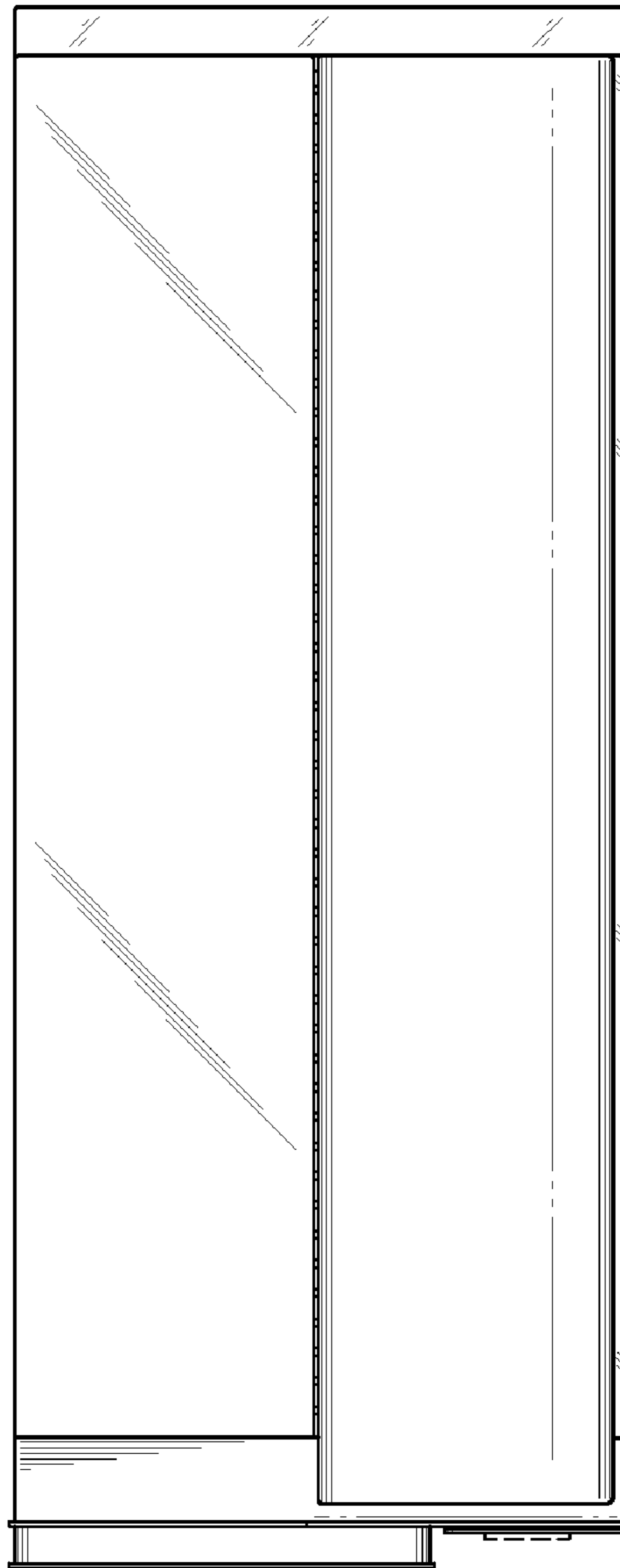


FIG. 5

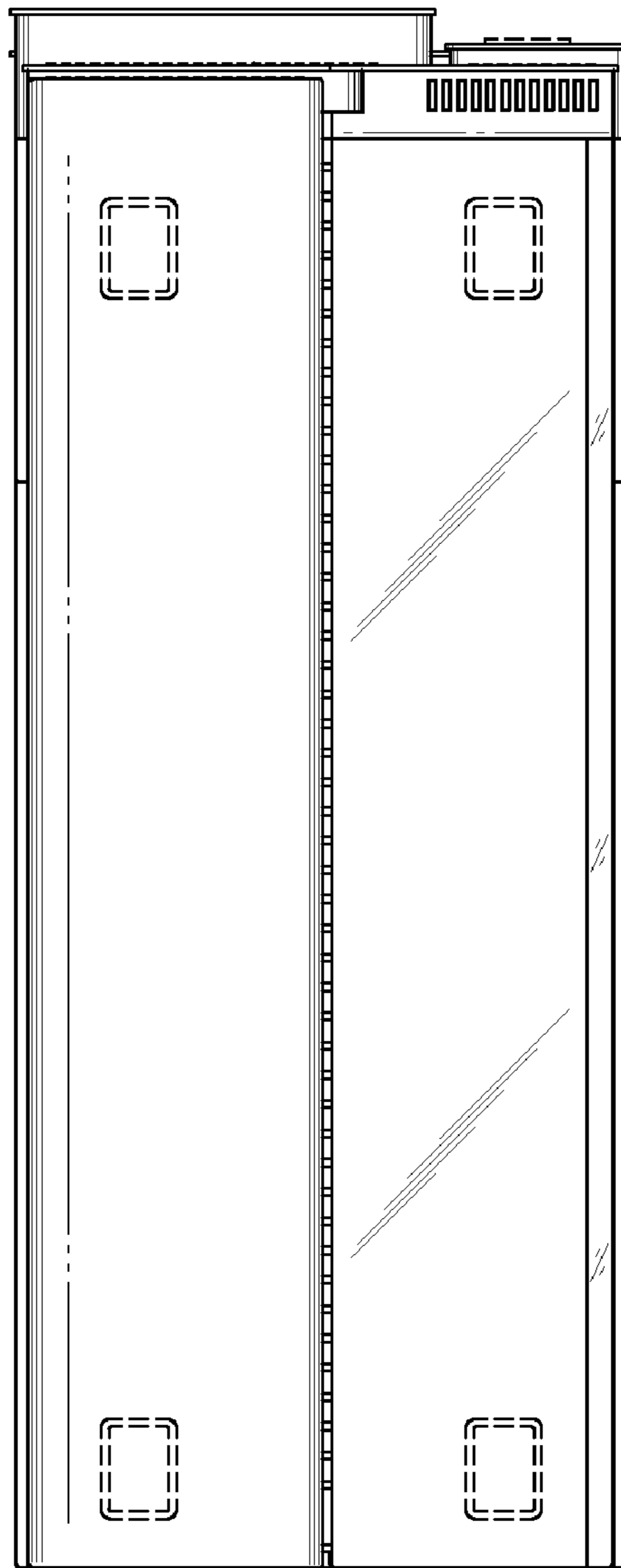


FIG. 6