



US00D608778S

(12) **United States Design Patent**
Lee et al.

(10) **Patent No.:** **US D608,778 S**
(45) **Date of Patent:** **** Jan. 26, 2010**

(54) **PORTABLE COMPUTER**

(75) Inventors: **Teh-Shen Lee**, Taipei Hsien (TW);
Chiung-Li Chang, Taipei Hsien (TW);
Yu-Hao Chyan, Taipei Hsien (TW);
Kuan-Hong Hsieh, Taipei Hsien (TW);
Chiang-Kuo Tang, Taipei Hsien (TW);
Xiao-Guang Li, Shenzhen (CN)

(73) Assignee: **Hon Hai Precision Industry Co., Ltd.**,
Tu-Cheng, Taipei Hsien (TW)

(**) Term: **14 Years**

(21) Appl. No.: **29/337,106**

(22) Filed: **May 14, 2009**

(30) **Foreign Application Priority Data**

Jan. 15, 2009 (CN) 2009 3 0300096

(51) **LOC (9) Cl.** **14-02**

(52) **U.S. Cl.** **D14/336; D14/371**

(58) **Field of Classification Search** D14/371-376,
D14/125-129, 336-337, 331; D20/10, 42;
248/917-924, 176.1, 278.1; 345/104, 156,
345/173, 174, 901-905; 348/180, 184, 325,
348/739; 361/680-686, 679.08, 679.23;
349/1, 2, 11, 58

See application file for complete search history.

(56) **References Cited**

U.S. PATENT DOCUMENTS

D453,333 S * 2/2002 Chen D14/374

D466,500 S * 12/2002 Lo et al. D14/336
D487,461 S * 3/2004 Sheu et al. D14/374
D495,706 S * 9/2004 Lin et al. D14/374
D505,676 S * 5/2005 Porter et al. D14/388
D514,558 S * 2/2006 Nagel et al. D14/341
D586,811 S * 2/2009 Kim et al. D14/374
D589,510 S * 3/2009 Wada D14/371
2003/0236102 A1 * 12/2003 Kawai et al. 455/550.1

* cited by examiner

Primary Examiner—Freda S Nunn

(74) *Attorney, Agent, or Firm*—Zhigang Ma

(57) **CLAIM**

The ornamental design for a portable computer, as shown and described.

DESCRIPTION

FIG. 1 is a perspective view of the design for a portable computer;

FIG. 2 is a front elevational view thereof;

FIG. 3 is a rear elevational view thereof;

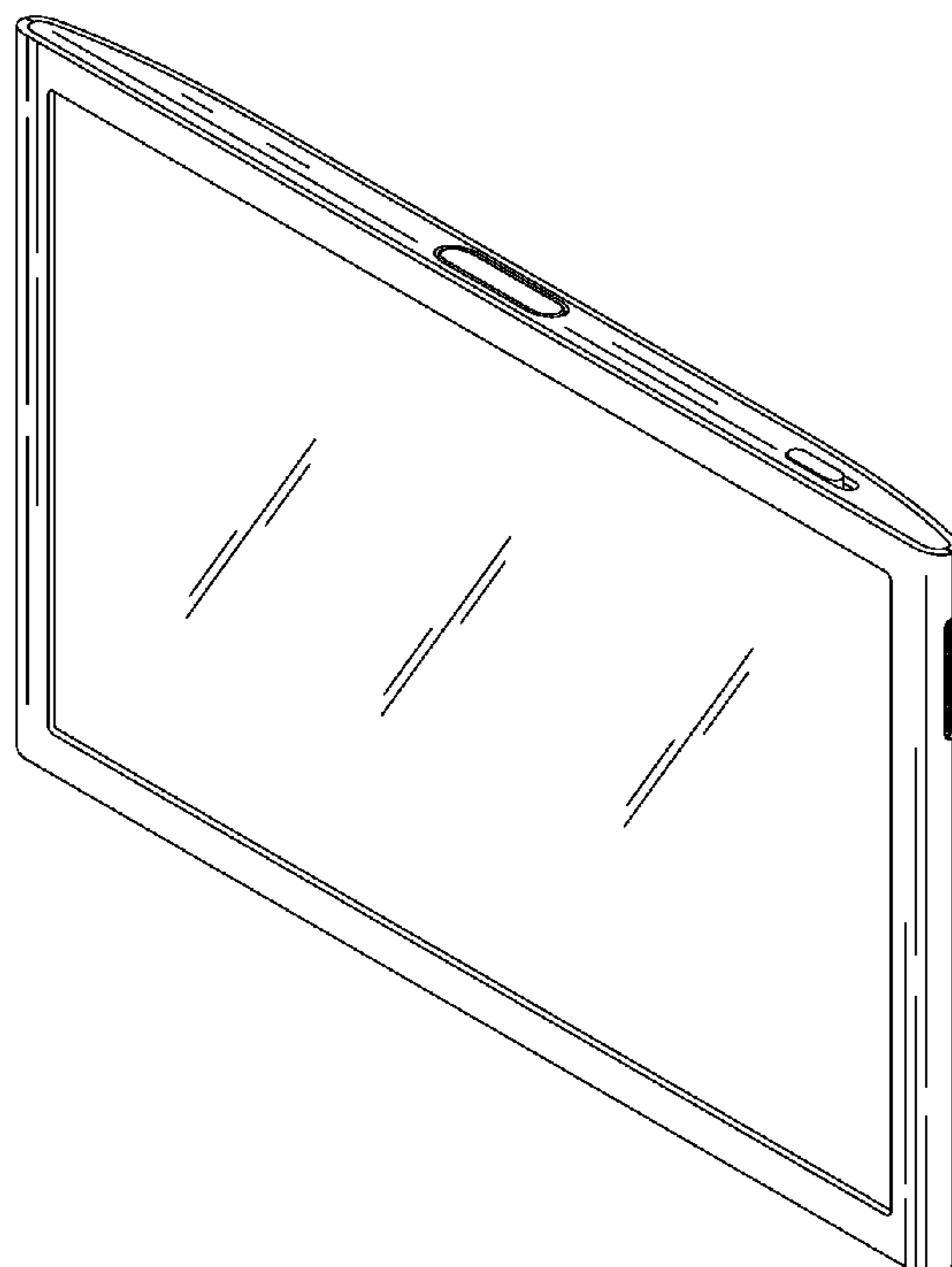
FIG. 4 is a left side elevational view thereof;

FIG. 5 is a right side elevational view thereof;

FIG. 6 is a top plan view thereof; and,

FIG. 7 is a bottom plan view thereof.

1 Claim, 7 Drawing Sheets



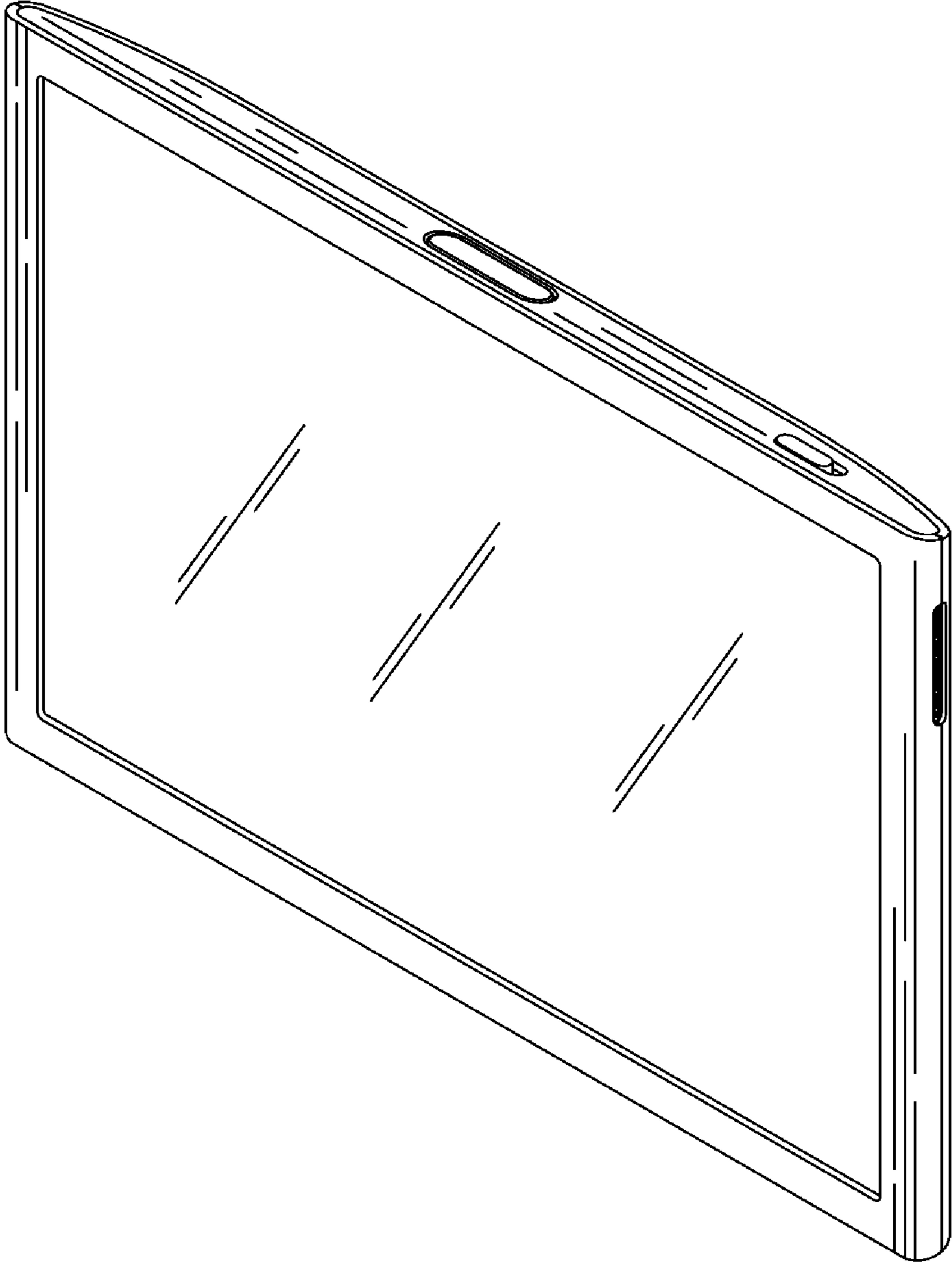


FIG. 1

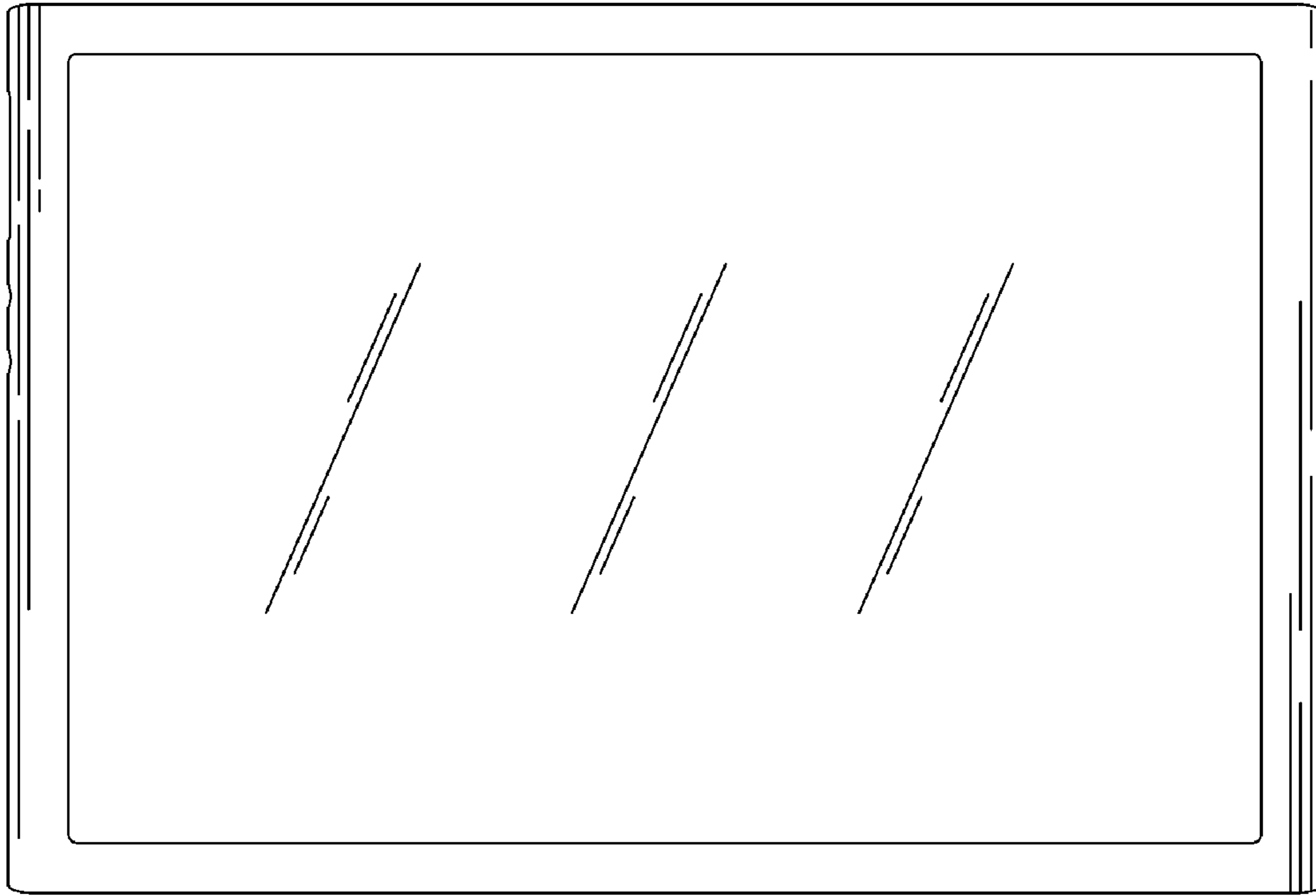


FIG. 2

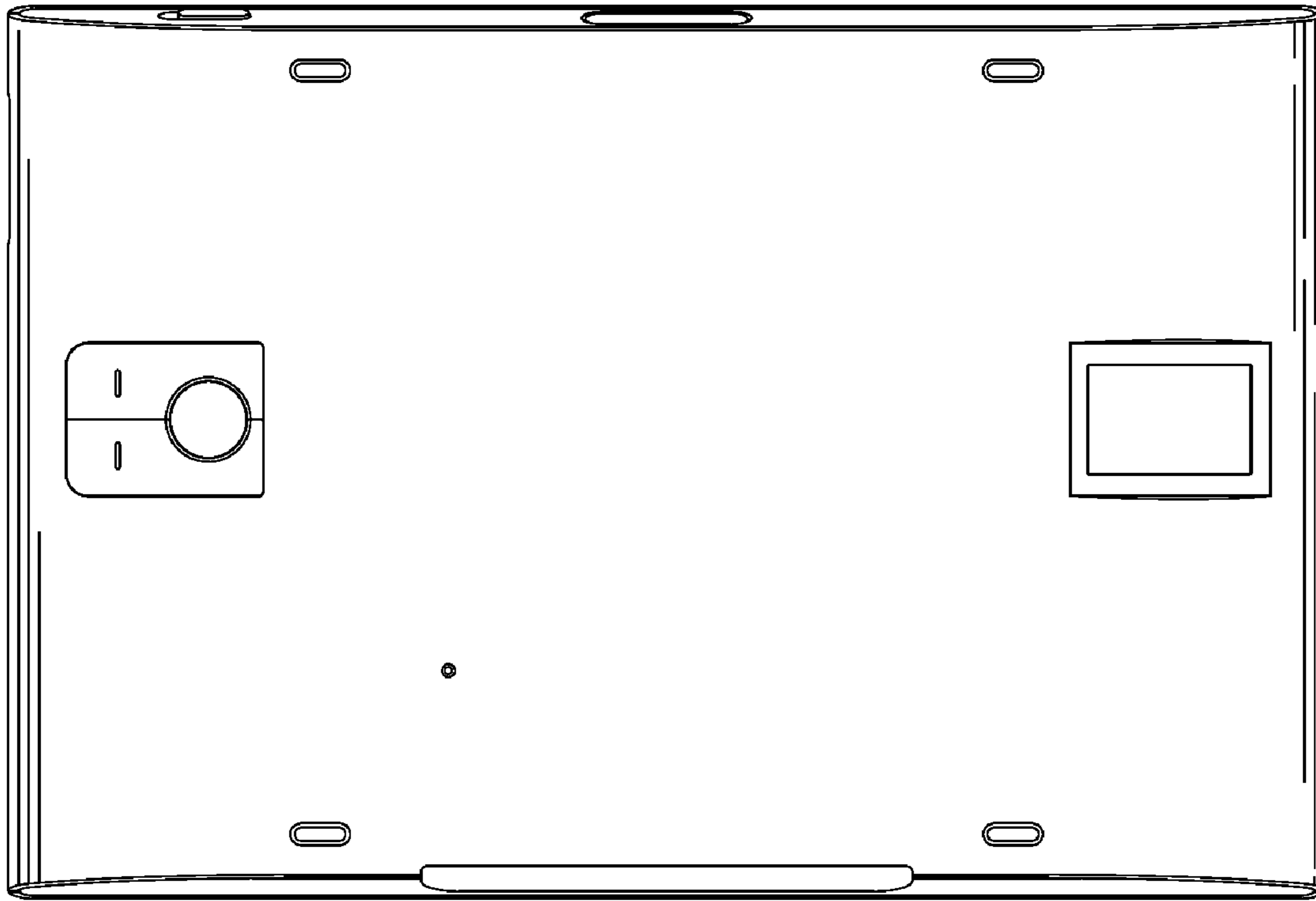


FIG. 3

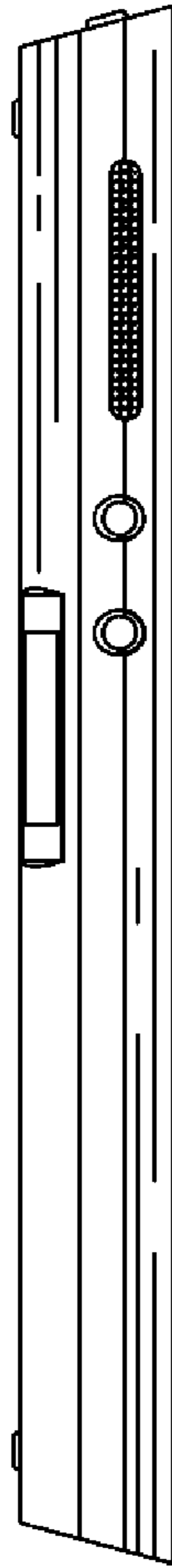


FIG. 4

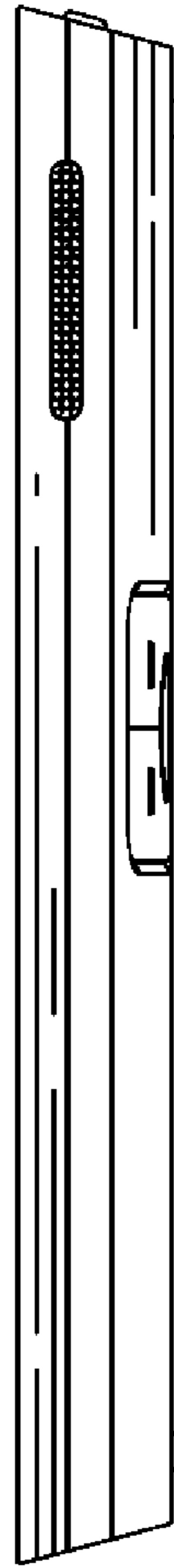


FIG. 5

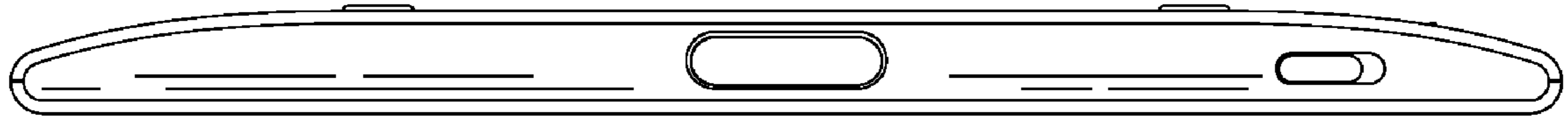


FIG. 6



FIG. 7