

US00D608771S

(12) **United States Design Patent**  
**Hsu**

(10) **Patent No.:** **US D608,771 S**  
(45) **Date of Patent:** **\*\* Jan. 26, 2010**

(54) **HOLDER**

(75) Inventor: **Yu-Chin Hsu**, Taipei (TW)

(73) Assignee: **IPEVO Corp.**, Taipei (TW)

(\*\*) Term: **14 Years**

(21) Appl. No.: **29/311,551**

(22) Filed: **Apr. 20, 2009**

(51) **LOC (9) Cl.** ..... **14-03**

(52) **U.S. Cl.** ..... **D14/239; D16/132**

(58) **Field of Classification Search** ..... D14/125-134,  
D14/239, 371, 136, 374-377; D16/130,  
D16/132, 136; 359/399, 430, 242; 318/685  
See application file for complete search history.

(56) **References Cited**

**U.S. PATENT DOCUMENTS**

D253,598	S	*	12/1979	Bressler	.....	D16/132
4,279,463	A	*	7/1981	Little	.....	359/399
D265,482	S	*	7/1982	Bressler	.....	D16/132
D297,646	S	*	9/1988	Hilko	.....	D16/132
D412,920	S	*	8/1999	Diebel et al.	.....	D16/132
6,445,498	B1	*	9/2002	Baun et al.	.....	359/430
6,519,084	B1	*	2/2003	Kawasaki	.....	359/430
6,789,772	B2	*	9/2004	Eason	.....	248/166
D499,436	S	*	12/2004	Burr	.....	D16/133

D522,550 S \* 6/2006 Kung ..... D16/132  
7,118,079 B2 \* 10/2006 Kung ..... 248/125.8

\* cited by examiner

*Primary Examiner*—Rapahel Barkai  
*Assistant Examiner*—Randall H Gholson  
(74) *Attorney, Agent, or Firm*—Bacon & Thomas, PLLC

(57) **CLAIM**

The ornamental design for a holder, as shown and described.

**DESCRIPTION**

FIG. 1 is a perspective view of a holder in accordance with my design;

FIG. 2 is a front view thereof;

FIG. 3 is a rear view thereof;

FIG. 4 is a left view thereof;

FIG. 5 is a right view thereof;

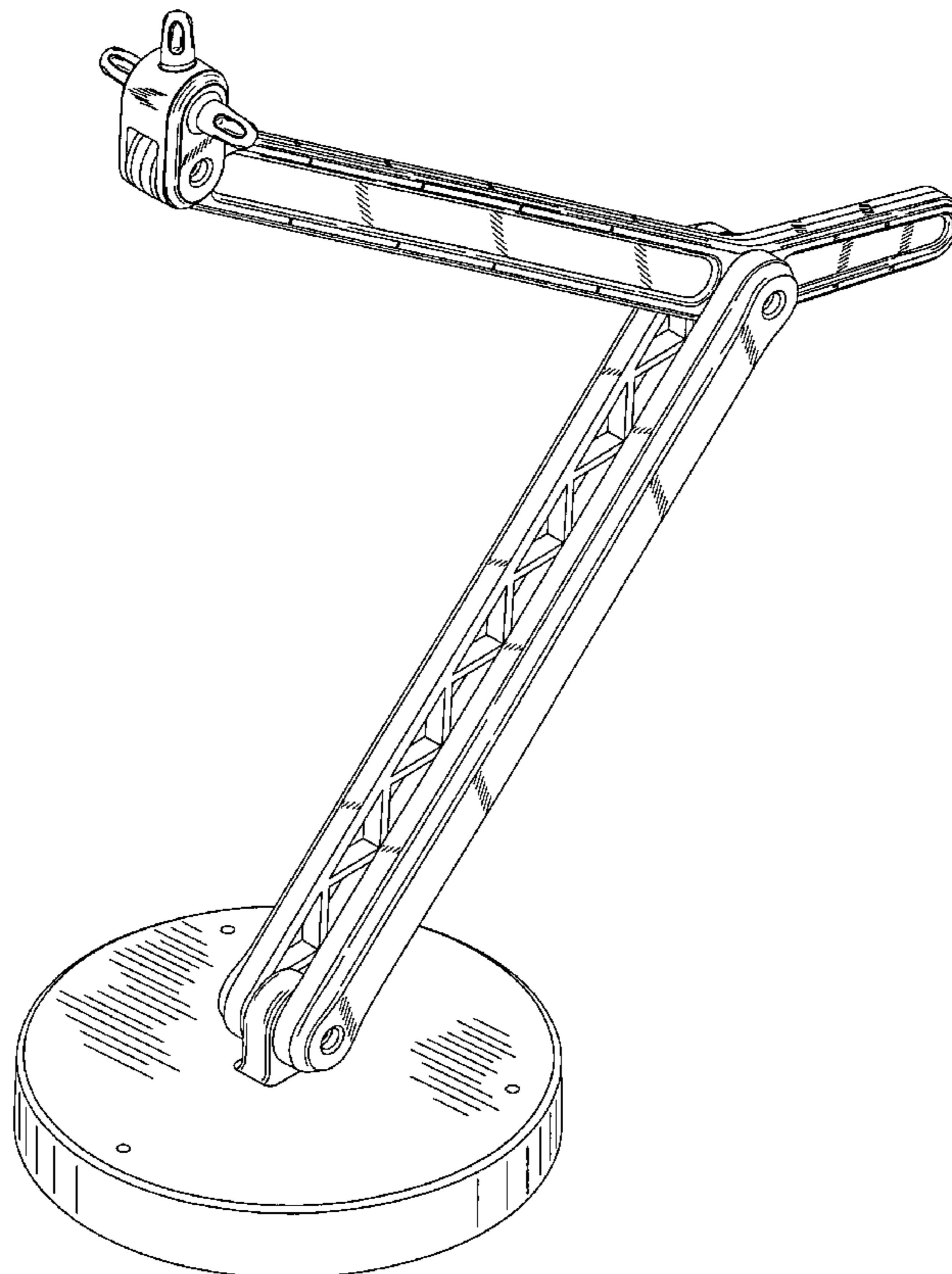
FIG. 6 is a top view thereof;

FIG. 7 is a bottom view thereof; and,

FIG. 8 is a front perspective view thereof.

The broken line showing of electronic device in FIG. 8 is for the environmental purpose only and forms no part of the claimed design.

**1 Claim, 8 Drawing Sheets**



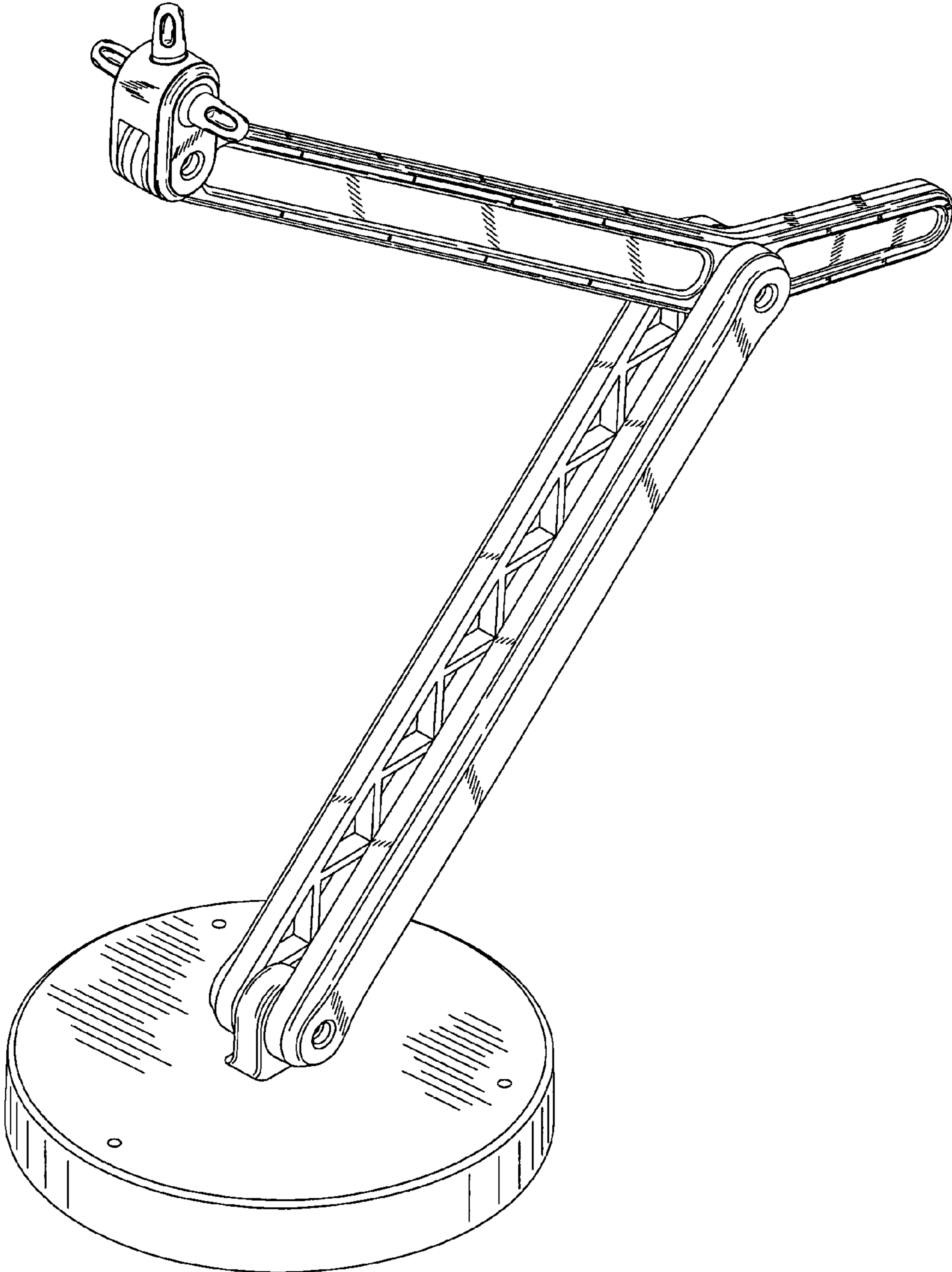


FIG. 1

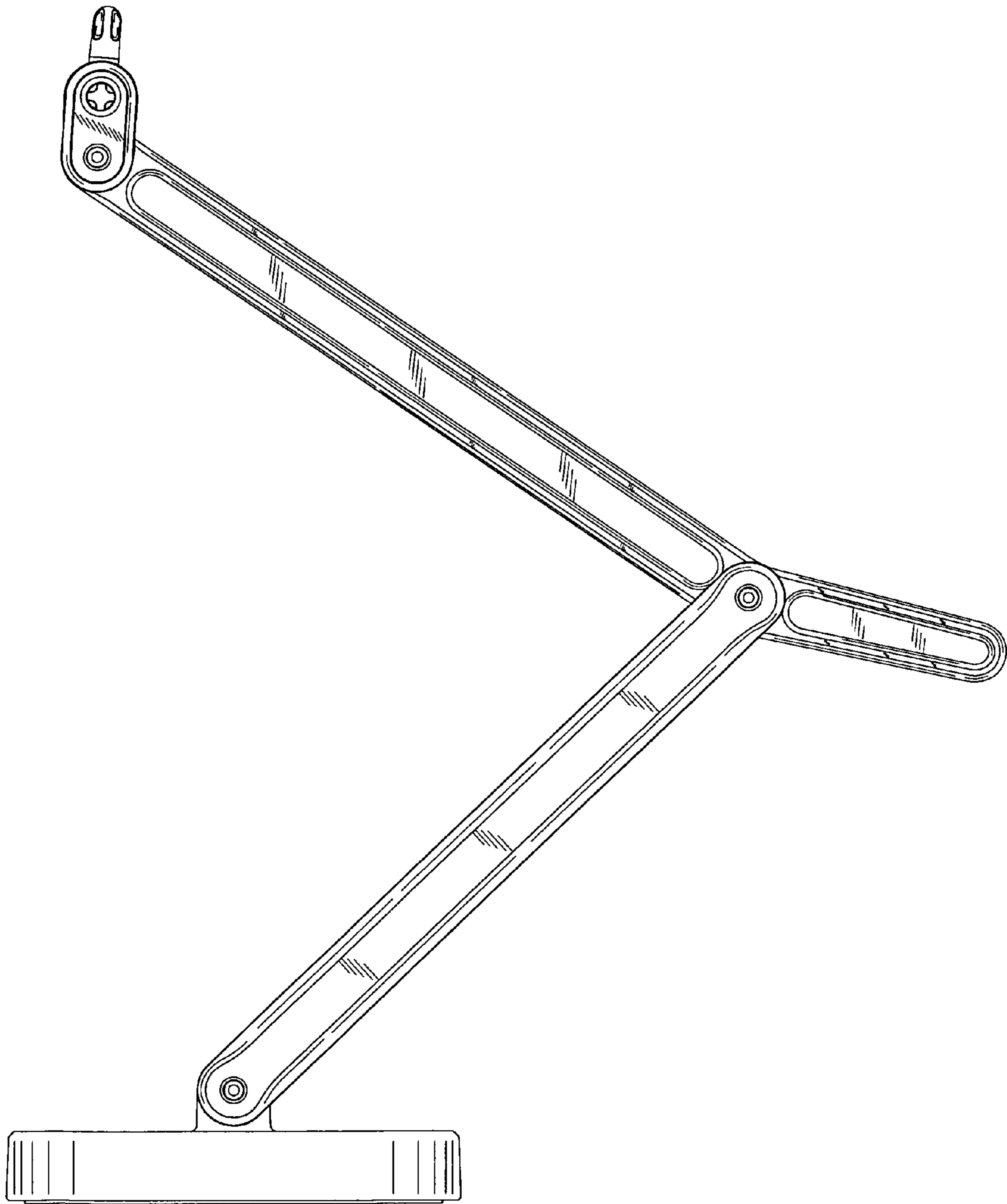


FIG. 2

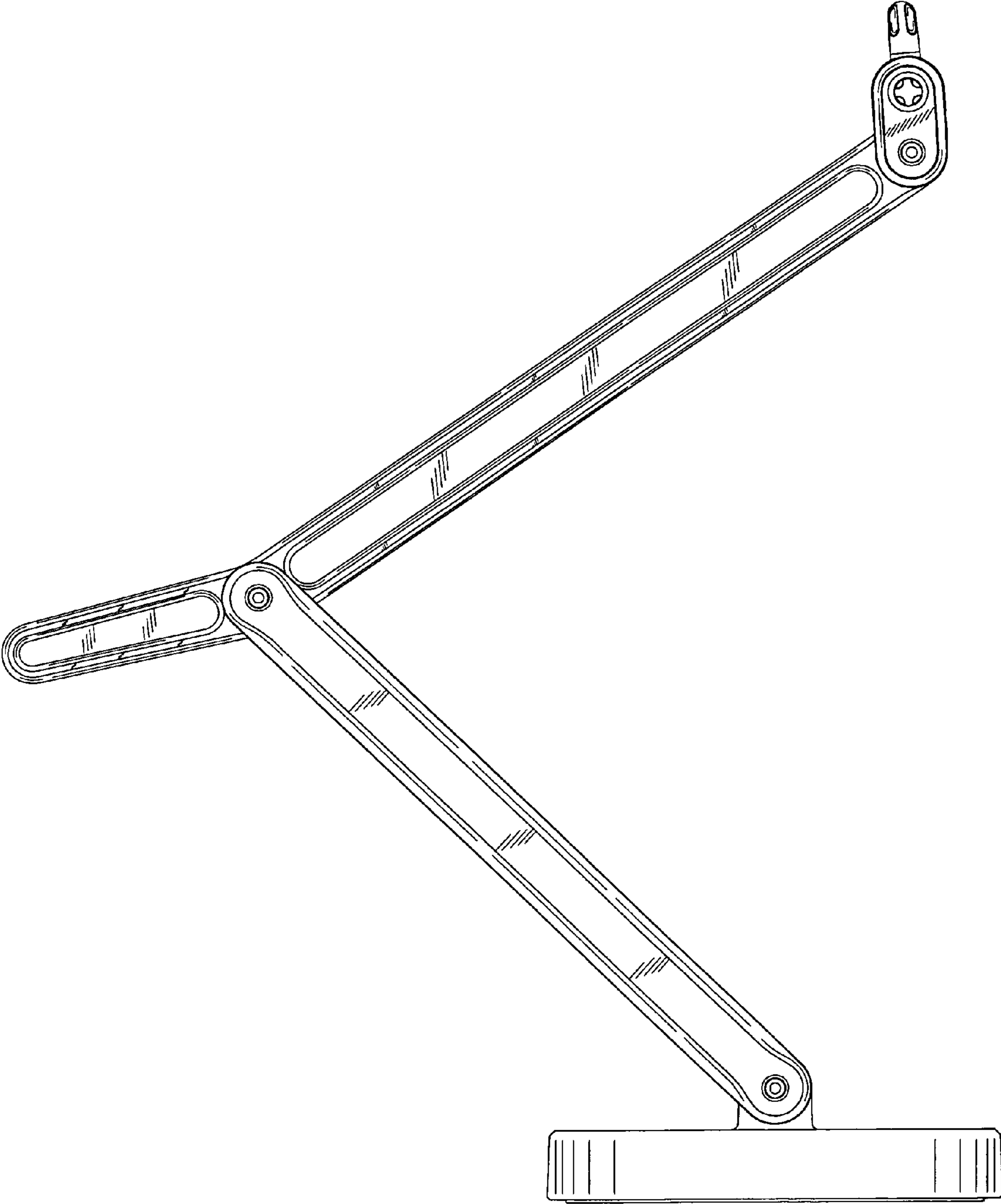


FIG. 3

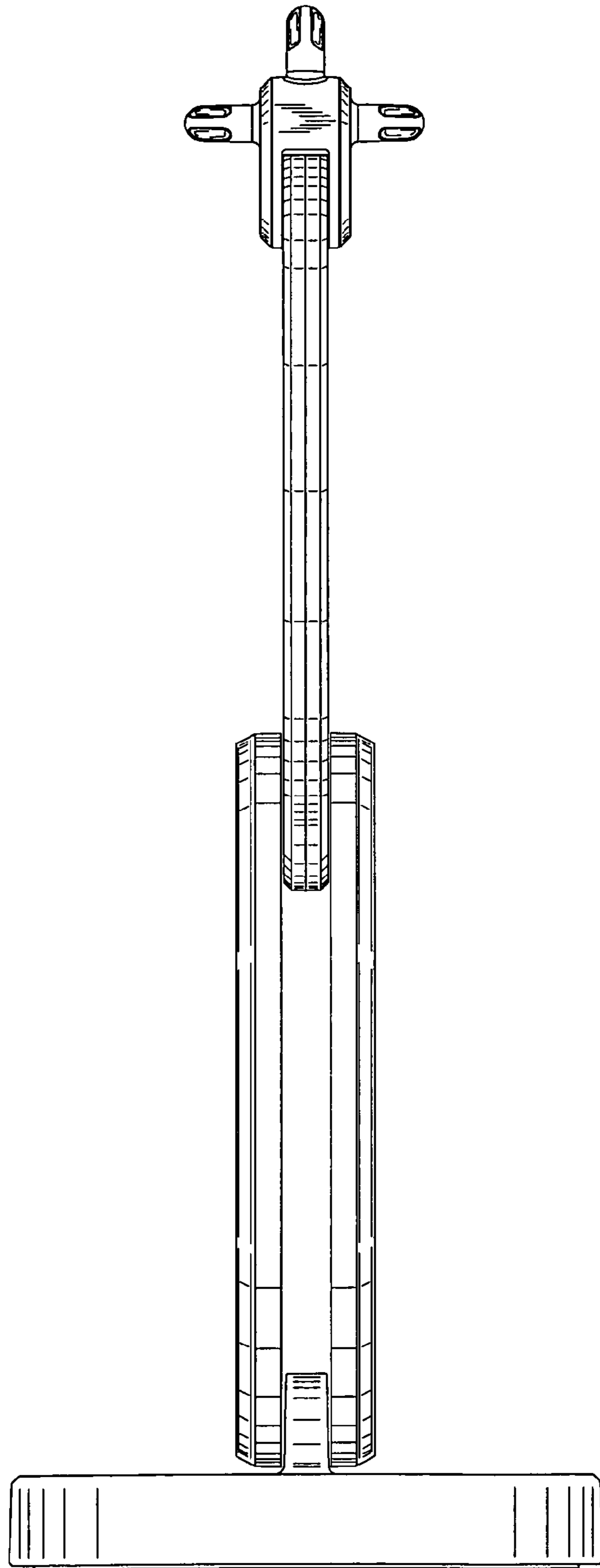


FIG. 4



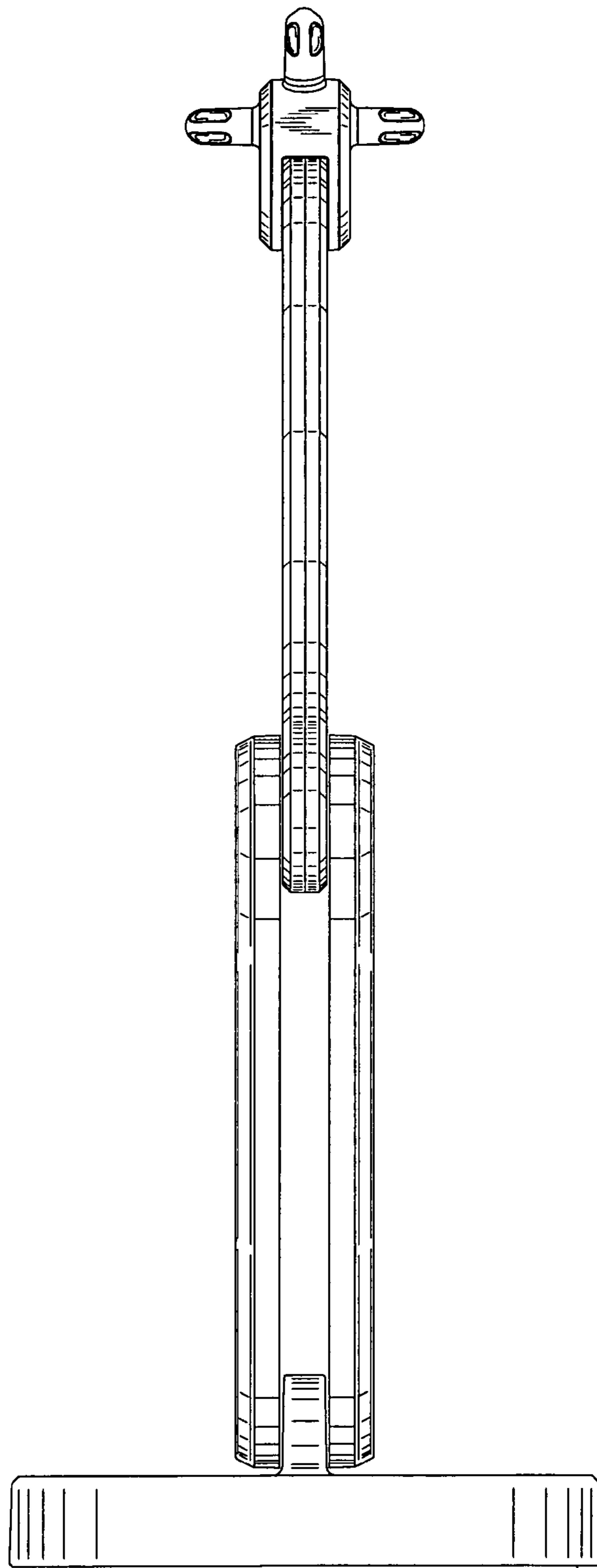


FIG. 5

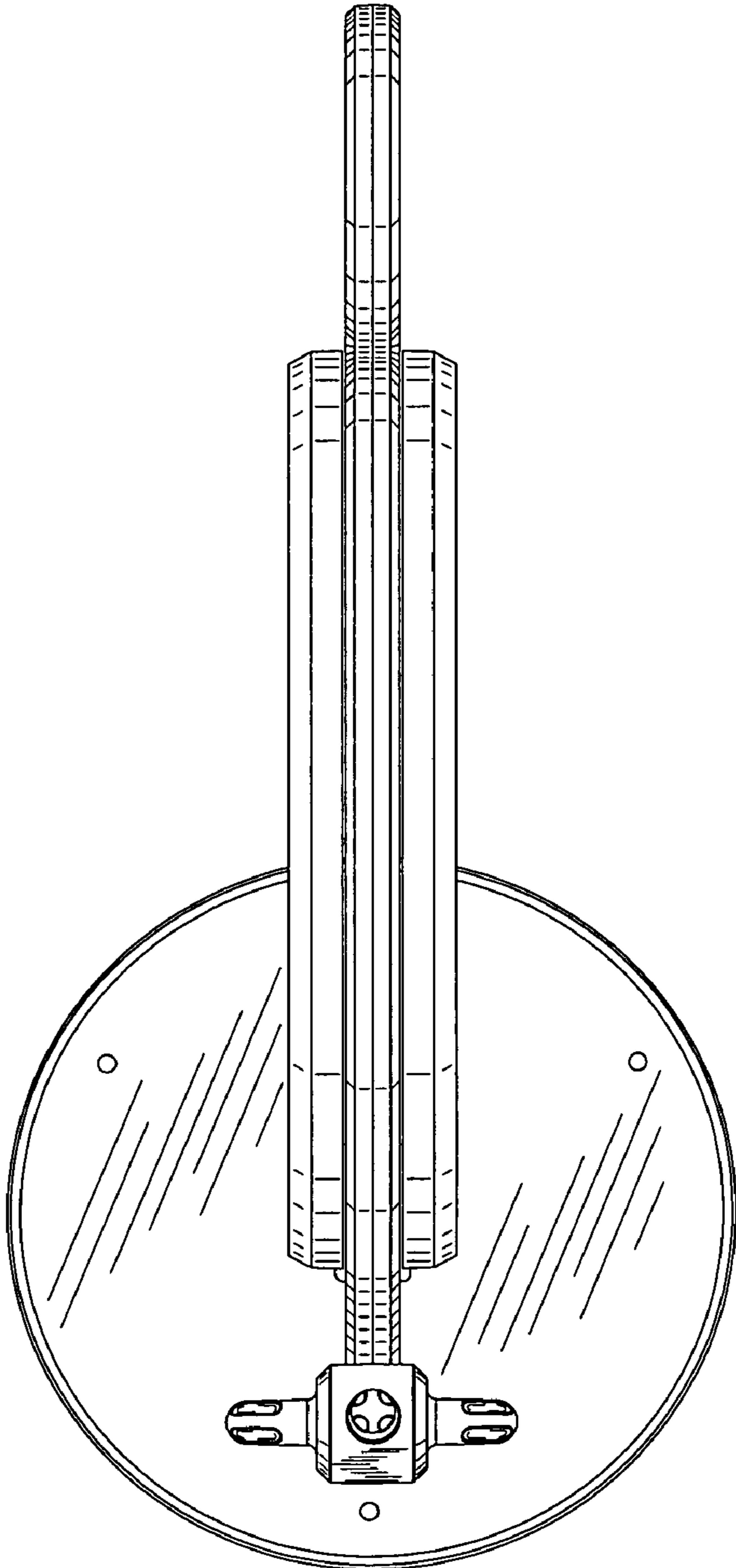


FIG. 6

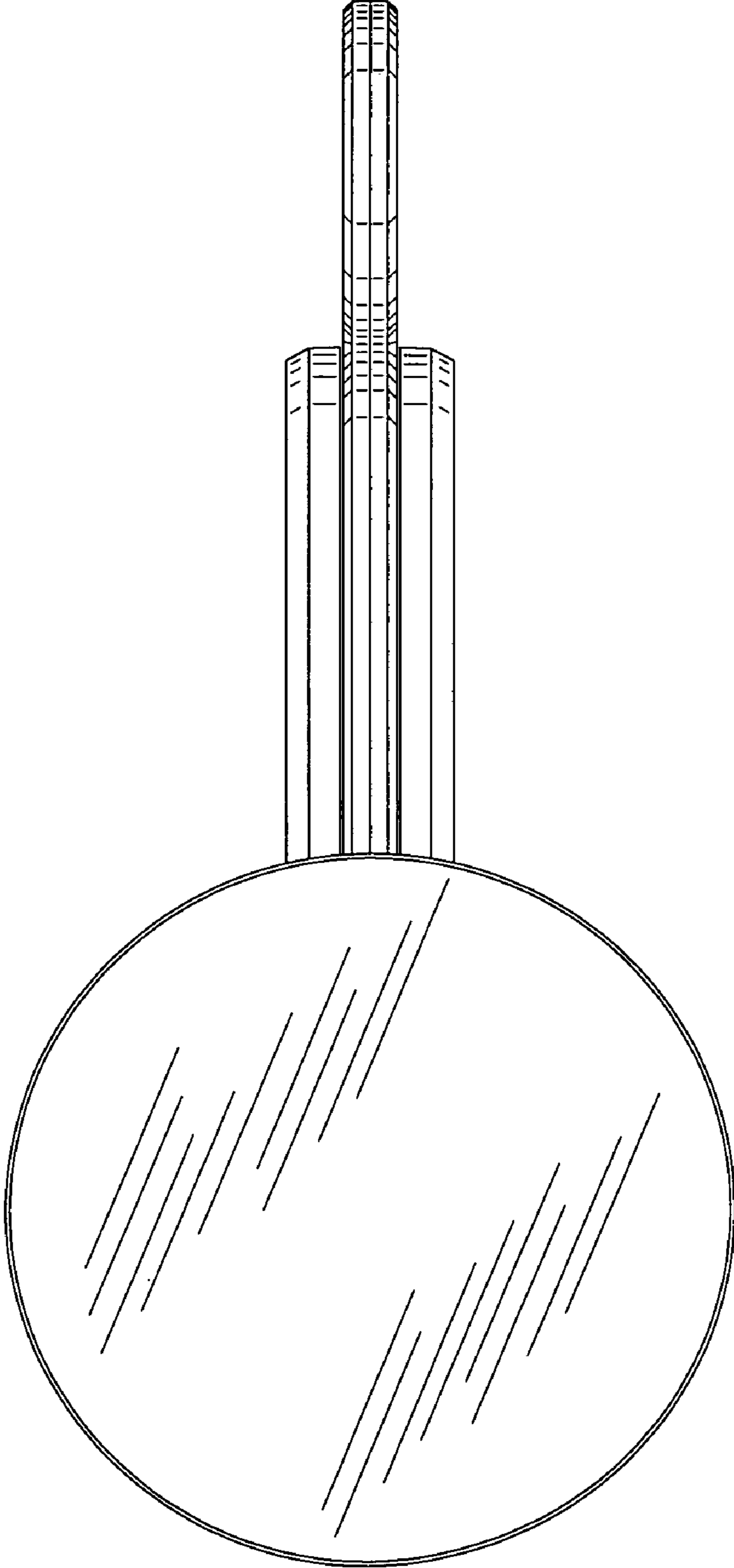


FIG. 7



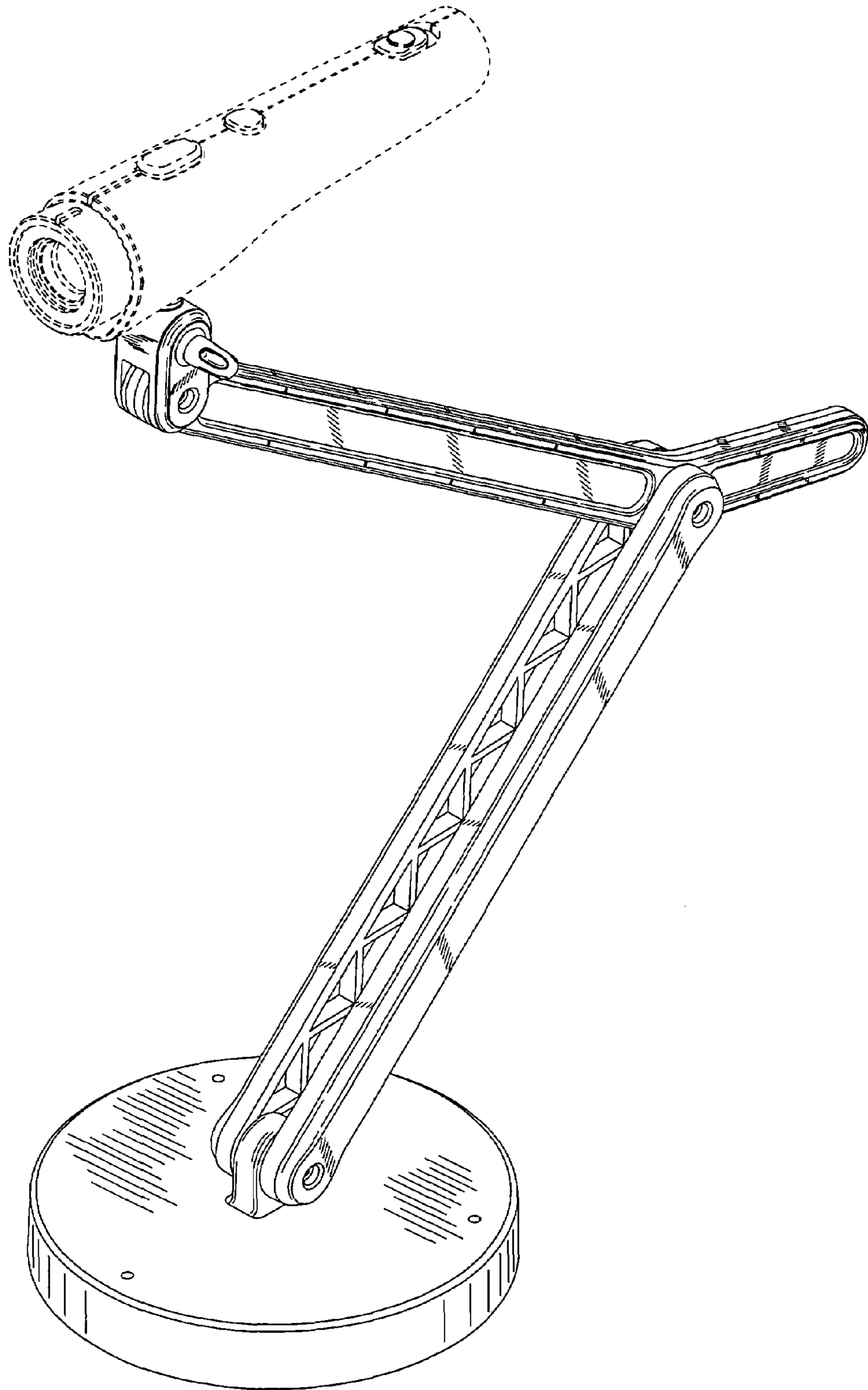


FIG. 8