



US00D608768S

(12) **United States Design Patent**
Ikeda et al.

(10) **Patent No.:** **US D608,768 S**
(45) **Date of Patent:** **** Jan. 26, 2010**

(54) **MICROPHONE**

(75) Inventors: **John K. Ikeda**, Seattle, WA (US); **Carl J. Ledbetter**, Mercer Island, WA (US); **Jared Randall**, Seattle, WA (US); **Joshua M. Kornfeld**, Seattle, WA (US)

(73) Assignee: **Microsoft Corporation**, Redmond, WA (US)

(**) Term: **14 Years**

(21) Appl. No.: **29/335,159**

(22) Filed: **Apr. 9, 2009**

(51) **LOC (9) Cl.** **14-01**

(52) **U.S. Cl.** **D14/228**

(58) **Field of Classification Search** D14/219,
D14/220, 225, 221, 229, 228, 497; D25/154,
D25/155, 152, 158, 58, 90; D21/513; 40/660,
40/311; 181/293; 52/144; 211/105.1; 220/8,
220/62.14; 206/457, 525; D3/218

See application file for complete search history.

(56) **References Cited**

U.S. PATENT DOCUMENTS

2,000,419	A *	5/1935	Sarber	40/311
2,329,375	A *	9/1943	Houlihan	220/8
2,371,985	A *	3/1945	Freiberg	206/525
D163,129	S *	5/1951	Romanelli	D25/158
D183,114	S *	7/1958	Burroughs	D14/228
D195,965	S *	8/1963	Spilman	D14/225
3,231,128	A *	1/1966	Klein	220/62.14
D211,644	S *	7/1968	Sterkenburg	D14/228
D218,315	S *	8/1970	Rusch	D14/228
D228,193	S *	8/1973	Pruyne	D14/228
D230,990	S *	3/1974	Kollesberger	D14/228
D235,023	S *	4/1975	Swayze	D14/229
6,155,445	A *	12/2000	Weder et al.	220/9.4
D455,221	S *	4/2002	Smith	D25/152
D480,558	S *	10/2003	Ikeda et al.	D3/228
D558,188	S *	12/2007	Ikeda et al.	D14/223
D566,309	S *	4/2008	Kornfeld et al.	D26/37

D566,383	S *	4/2008	Harris et al.	D3/218
D568,276	S *	5/2008	Ikeda et al.	D14/365
D568,605	S *	5/2008	Harris et al.	D3/218
D570,101	S *	6/2008	Harris et al.	D3/218
D570,102	S *	6/2008	Harris et al.	D3/218
D570,103	S *	6/2008	Harris et al.	D3/218
D590,970	S *	4/2009	Kornfeld	D26/37
D594,855	S *	6/2009	Metlen et al.	D14/225
D598,011	S *	8/2009	Thusbass	D14/225

* cited by examiner

Primary Examiner—Paula Greene

(74) *Attorney, Agent, or Firm*—Banner & Witcoff, Ltd.

(57) **CLAIM**

The ornamental design for a microphone, as shown and described.

DESCRIPTION

FIG. 1 is a perspective view of a microphone showing our new design;

FIG. 2 is a front view thereof;

FIG. 3 is a rear view thereof;

FIG. 4 is a right side view thereof;

FIG. 5 is a left side view thereof; and,

FIG. 6 is a perspective view thereof;

FIG. 7 is a front view thereof;

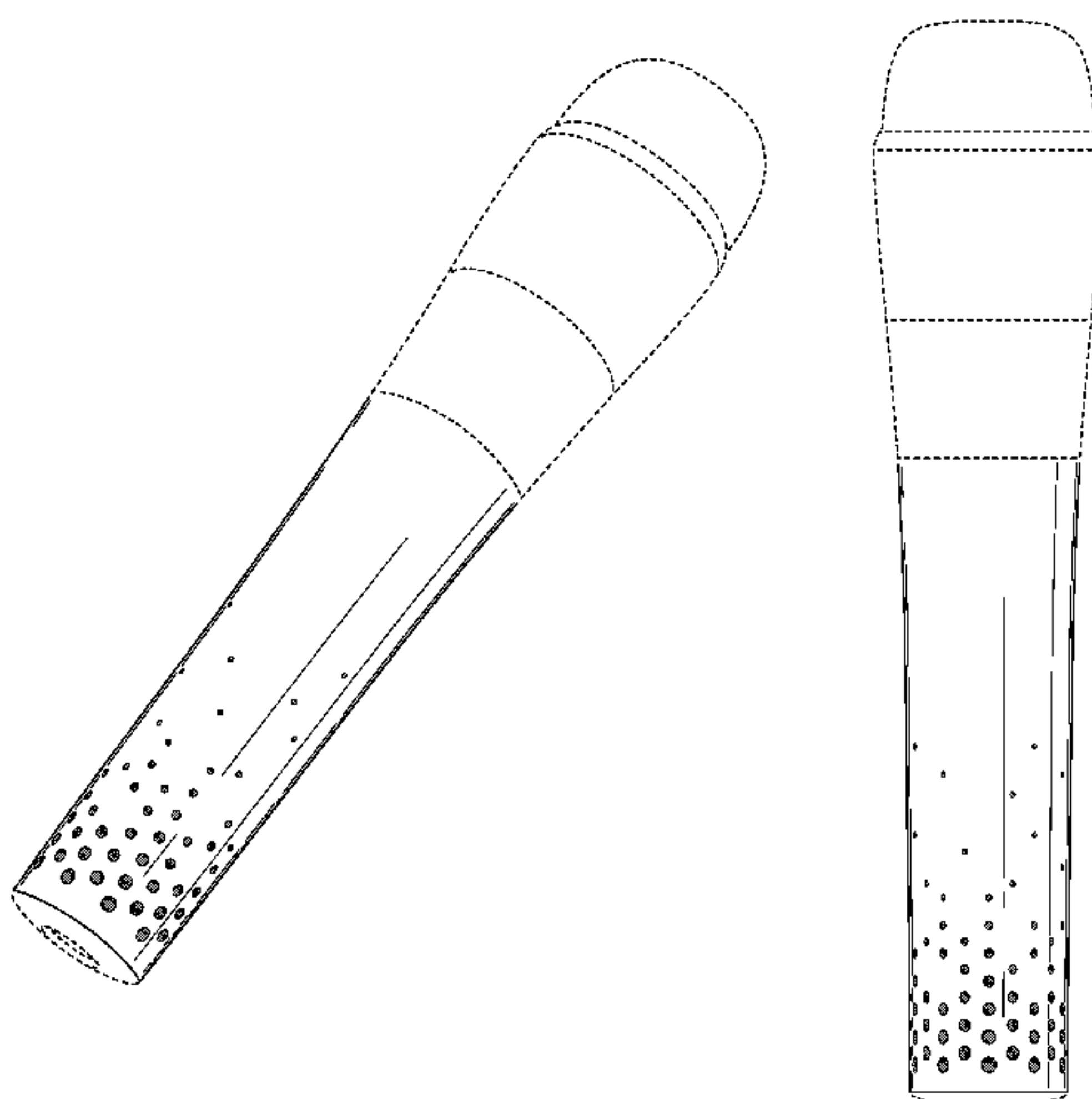
FIG. 8 is a rear view thereof;

FIG. 9 is a right side view thereof; and,

FIG. 10 is a left side view thereof.

The broken line immediately adjacent the top of the shaded region of FIGS. 1–5 represents an unclaimed boundary of the design. The broken line showing of the remainder of the microphone is for environmental purposes only and forms no part of the claimed design. The gray-scale shading in the circular regions indicates a contrast of appearance to the remainder of the shaded region and does not depict any particular color.

1 Claim, 6 Drawing Sheets



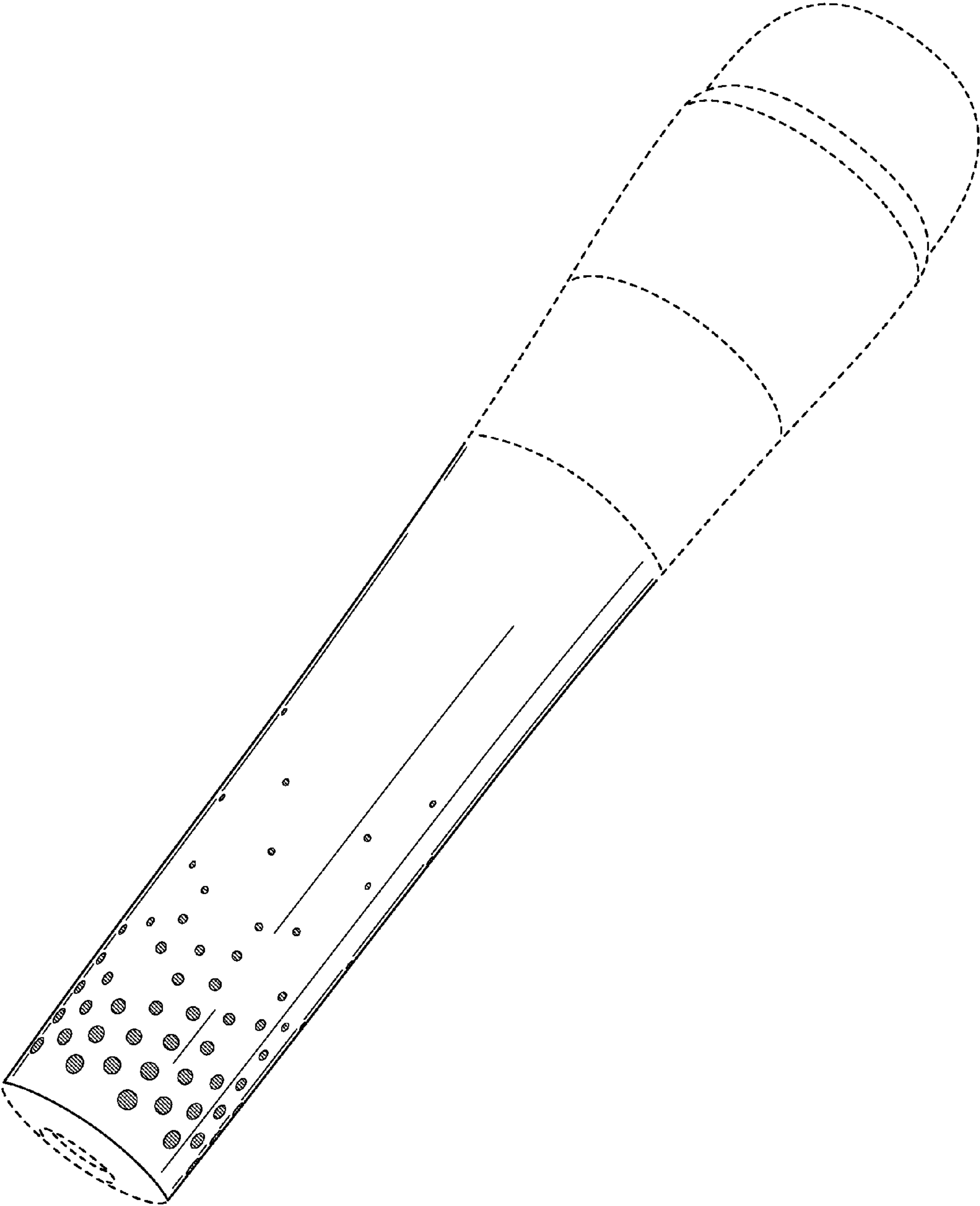


FIG. 1

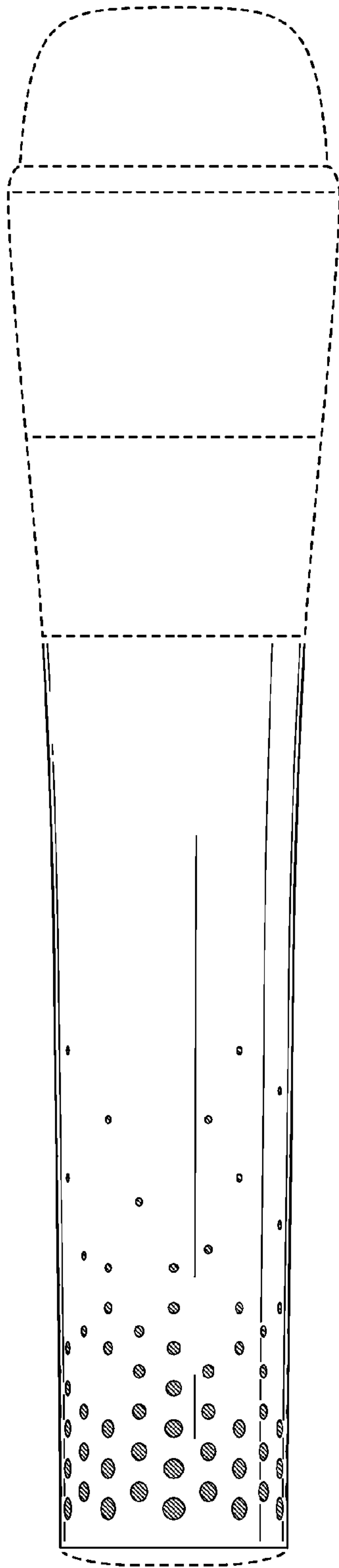


FIG. 2

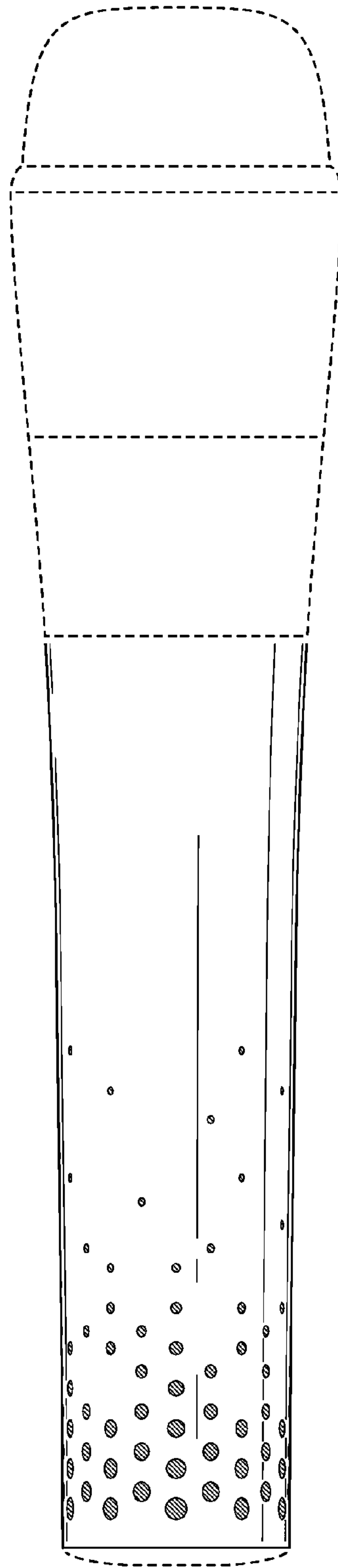


FIG. 3

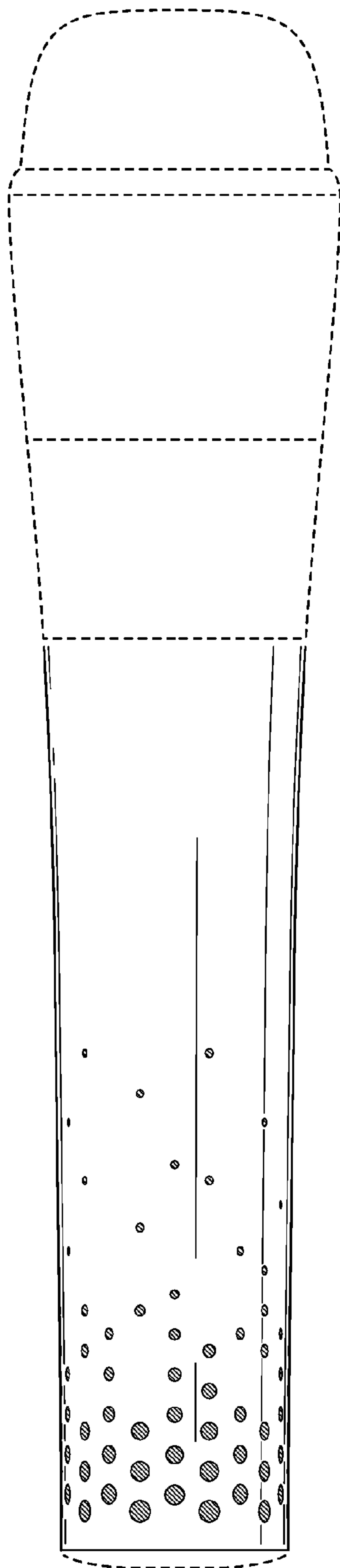


FIG. 4

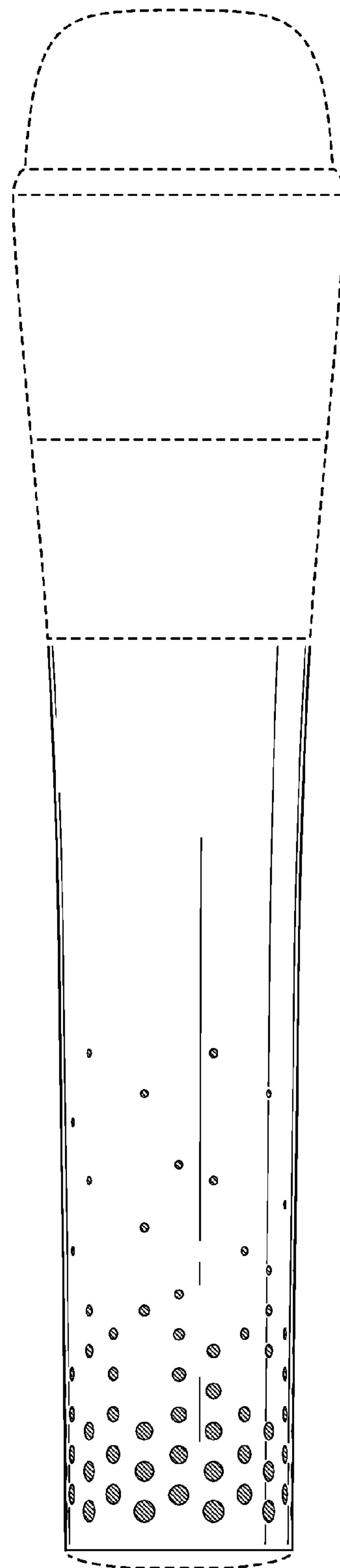


FIG. 5

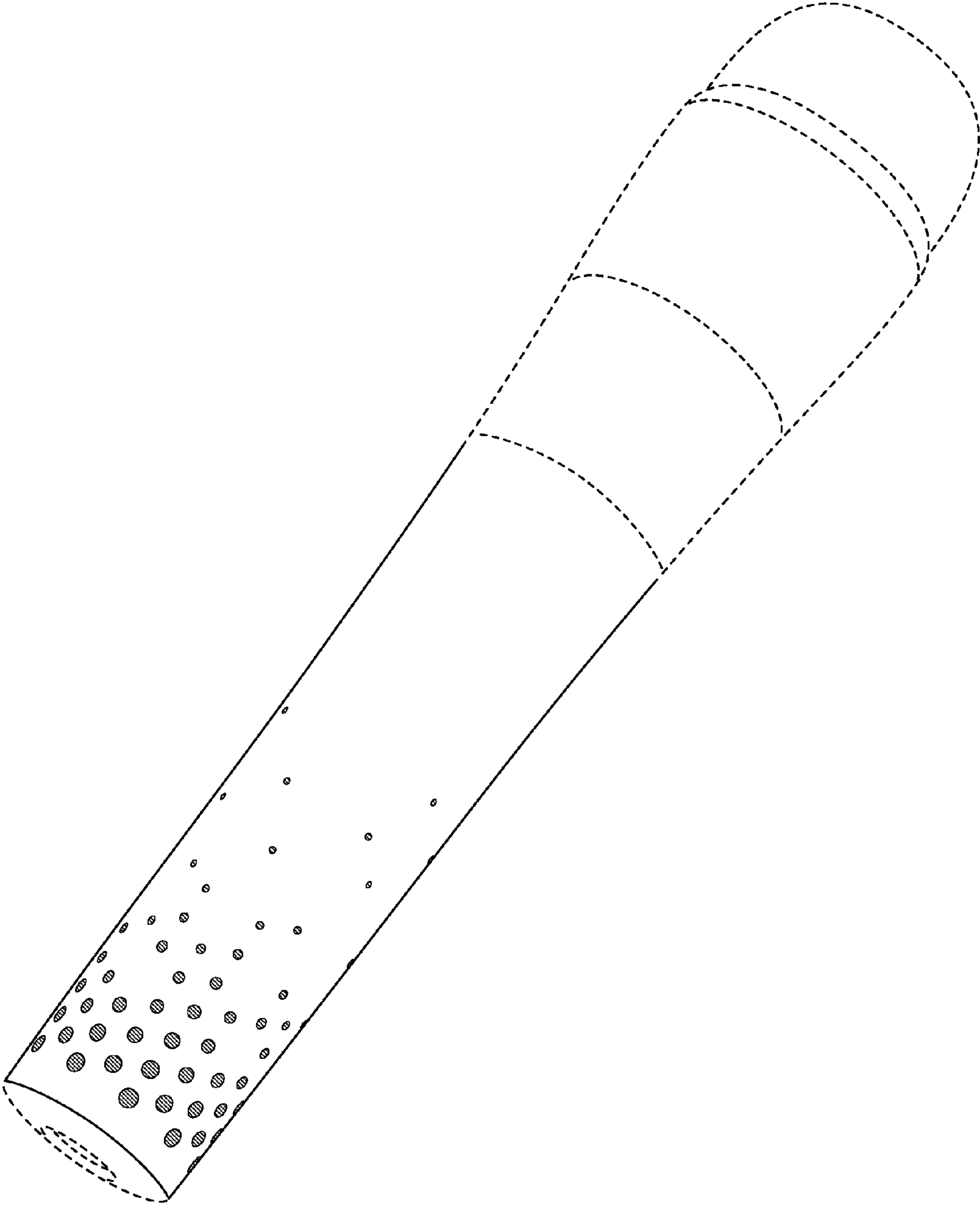


FIG. 6

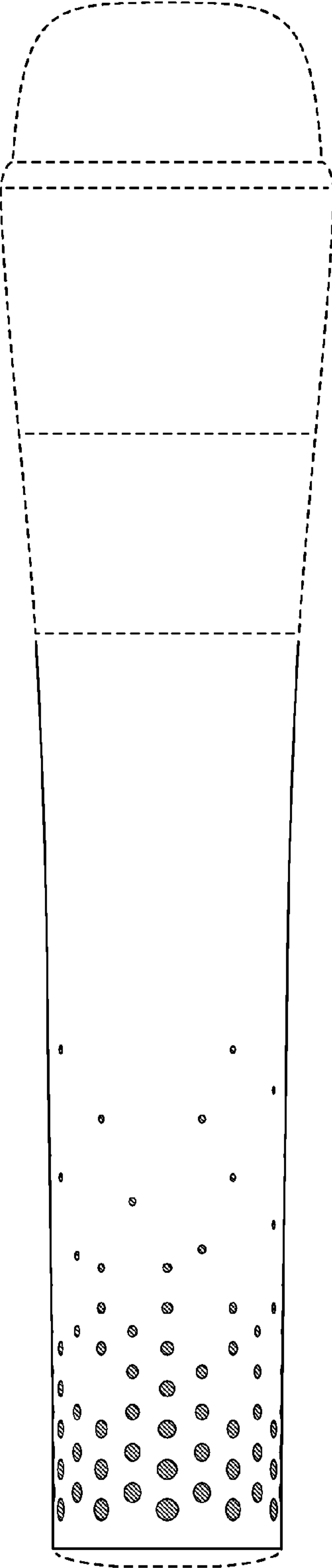


FIG. 7

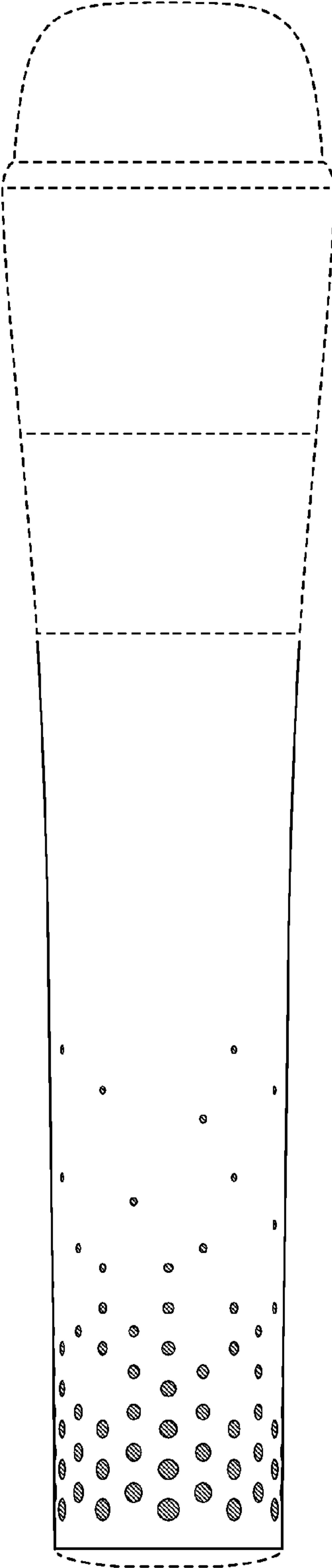


FIG. 8

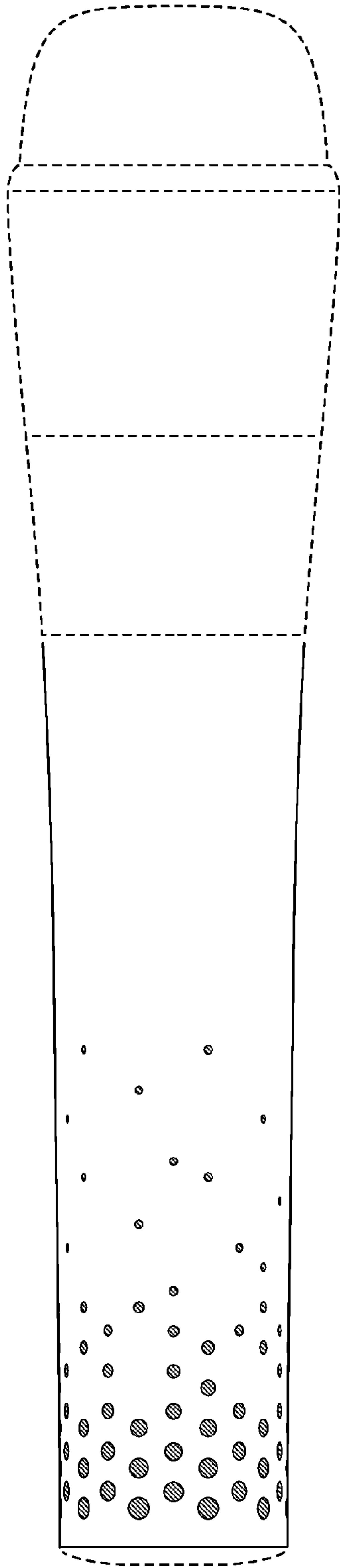


FIG. 9

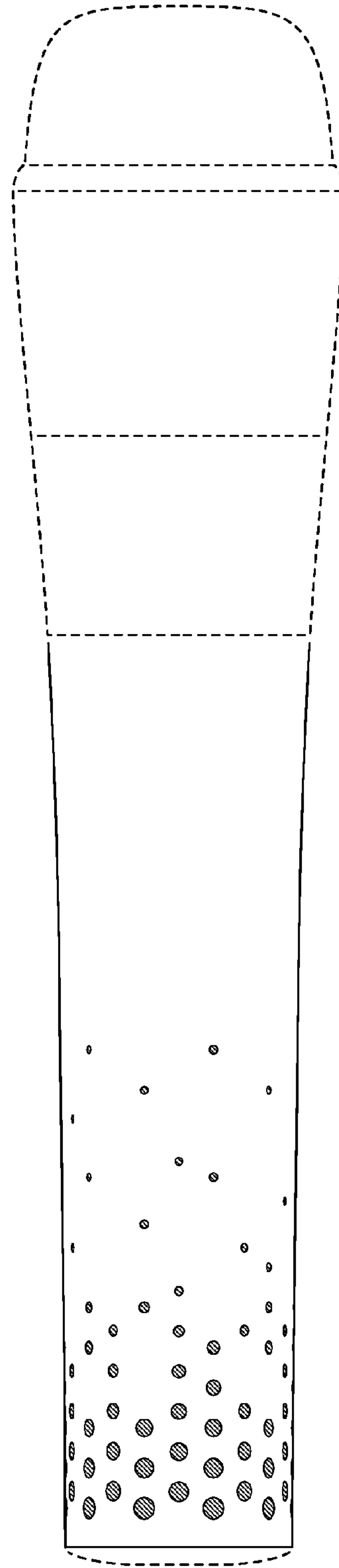


FIG. 10

UNITED STATES PATENT AND TRADEMARK OFFICE
CERTIFICATE OF CORRECTION

PATENT NO. : Des. 608,768 S
APPLICATION NO. : 29/335159
DATED : January 26, 2010
INVENTOR(S) : John K. Ikeda et al.

Page 1 of 1

It is certified that error appears in the above-identified patent and that said Letters Patent is hereby corrected as shown below:

Title Pg, Item (56) "References Cited,"

"D163,129"

has been replaced with

-- D163,139 --

Signed and Sealed this

Twenty-eighth Day of September, 2010

A handwritten signature in black ink that reads "David J. Kappos". The signature is written in a cursive, flowing style.

David J. Kappos
Director of the United States Patent and Trademark Office