



US00D608766S

(12) **United States Design Patent**
Brickstad

(10) **Patent No.:** **US D608,766 S**

(45) **Date of Patent:** **** Jan. 26, 2010**

(54) **HEADSET**

(75) Inventor: **Per Brickstad**, Espoo (FI)

(73) Assignee: **Nokia Corporation**, Espoo (FI)

(**) Term: **14 Years**

(21) Appl. No.: **29/334,713**

(22) Filed: **Mar. 31, 2009**

(51) **LOC (9) Cl.** **14-01**

(52) **U.S. Cl.** **D14/223**

(58) **Field of Classification Search** D14/205,
D14/206, 223; 181/129–130, 135; 379/430,
379/433.01–433.03; 381/380, 381, 374,
381/375, 378, 379, 370, 384; 455/575.2,
455/569.1, 90.2

See application file for complete search history.

(56) **References Cited**

U.S. PATENT DOCUMENTS

5,664,014	A *	9/1997	Yamaguchi et al.	379/430
7,031,485	B2 *	4/2006	Webber et al.	381/380
7,079,664	B2 *	7/2006	Nassimi	381/380
D550,658	S *	9/2007	Wang	D14/223
D553,613	S *	10/2007	Sade et al.	D14/223
D559,836	S *	1/2008	Lee	D14/223
D566,105	S *	4/2008	Yang et al.	D14/223
D566,108	S *	4/2008	Kan	D14/223
D575,277	S *	8/2008	Gaarde et al.	D14/223
D581,396	S *	11/2008	Wikel et al.	D14/206
D582,897	S *	12/2008	Christopher et al.	D14/223

D590,378	S *	4/2009	Bradford	D14/223
D590,814	S *	4/2009	Bradford	D14/223
D593,546	S *	6/2009	Tkachuk	D14/223
D595,272	S *	6/2009	Kim et al.	D14/223
D595,698	S *	7/2009	Guccione et al.	D14/223
D596,166	S *	7/2009	Henning	D14/223
D596,623	S *	7/2009	Laine	D14/218
D597,083	S *	7/2009	Nousiainen	D14/223
D597,534	S *	8/2009	Christopher	D14/223

* cited by examiner

Primary Examiner—Paula Greene

(74) *Attorney, Agent, or Firm*—Banner & Witcoff, Ltd.

(57) **CLAIM**

The ornamental design for a headset, as shown and described.

DESCRIPTION

FIG. 1 is a perspective front view of a first headset showing my new design;

FIG. 2 is a front view thereof;

FIG. 3 is a right side view thereof;

FIG. 4 is a left side view thereof;

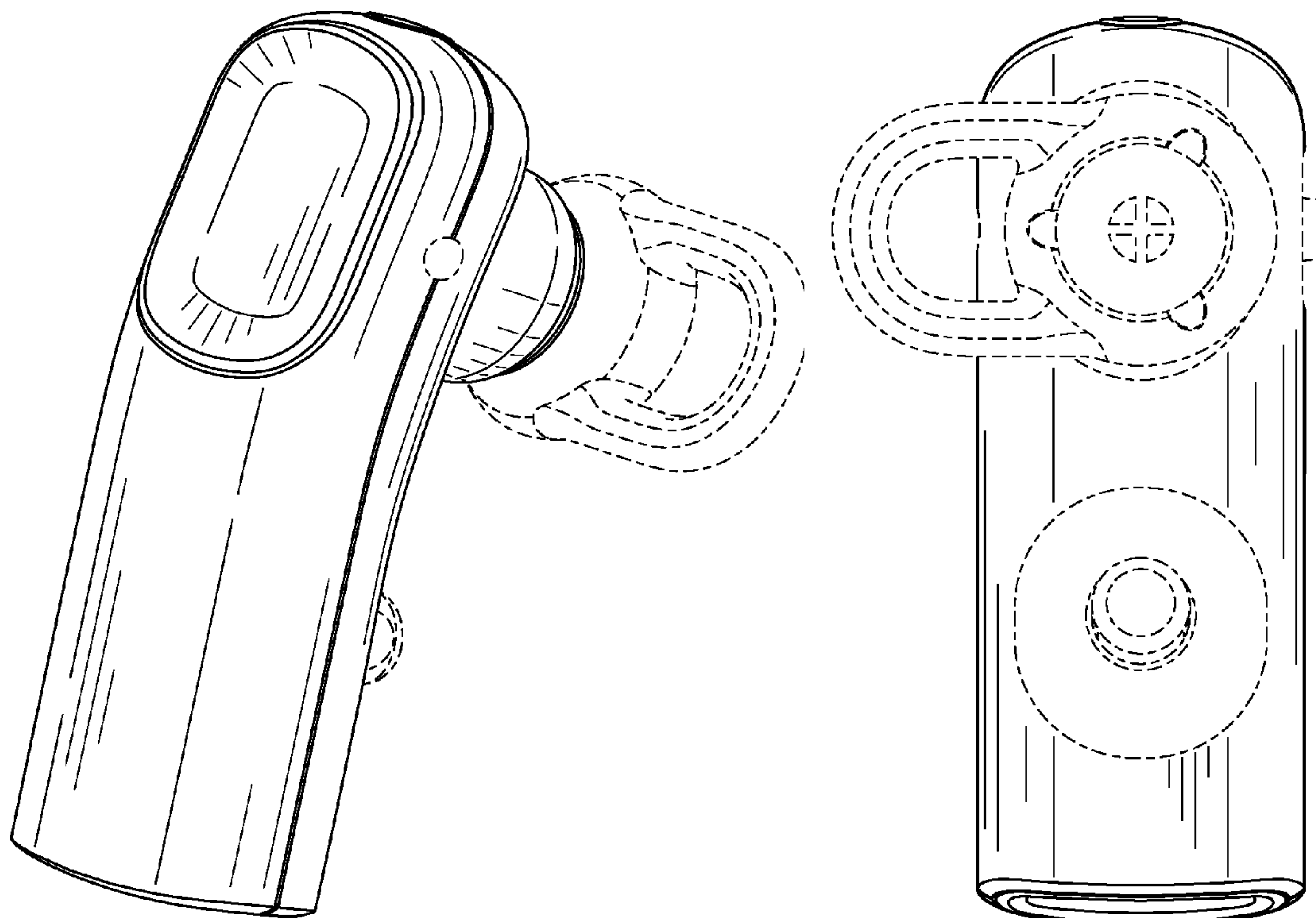
FIG. 5 is a top view thereof;

FIG. 6 is a bottom view thereof; and,

FIG. 7 is a rear view thereof.

The broken line showing of the environmental structure of the headset in FIGS. 1–7 is for illustrative purposes only and forms no part of the claimed design.

1 Claim, 4 Drawing Sheets



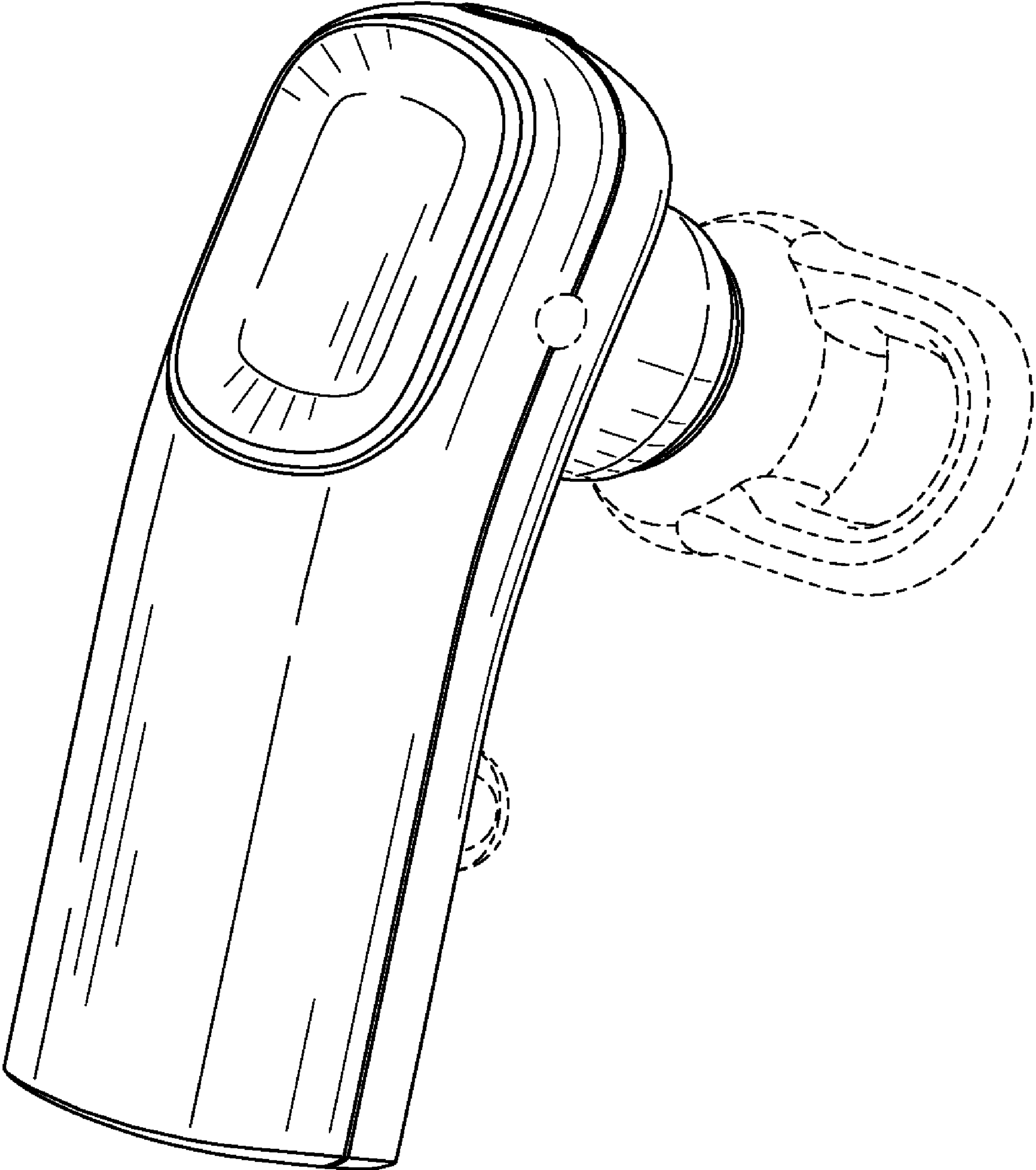


FIG. 1

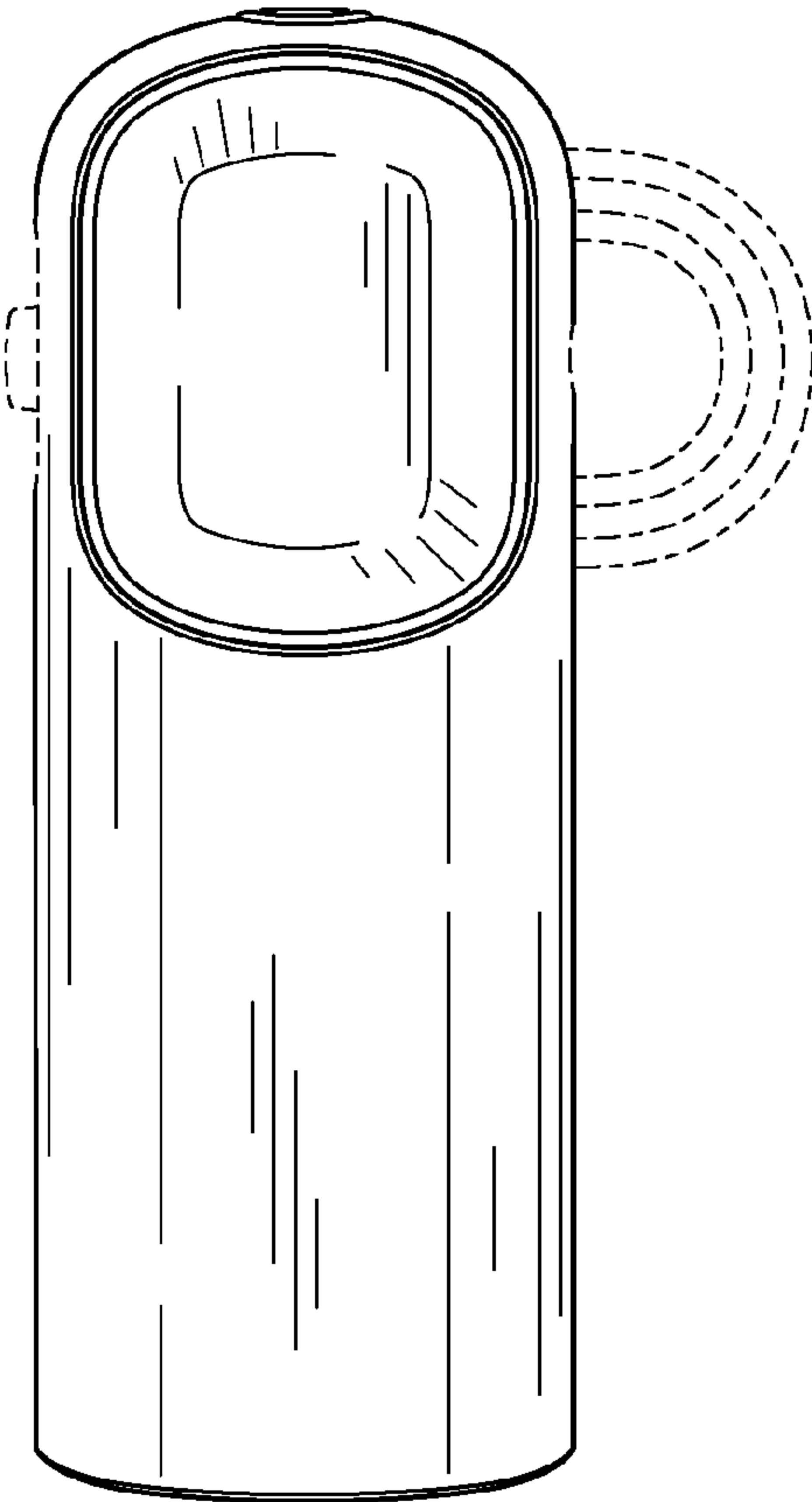


FIG. 2

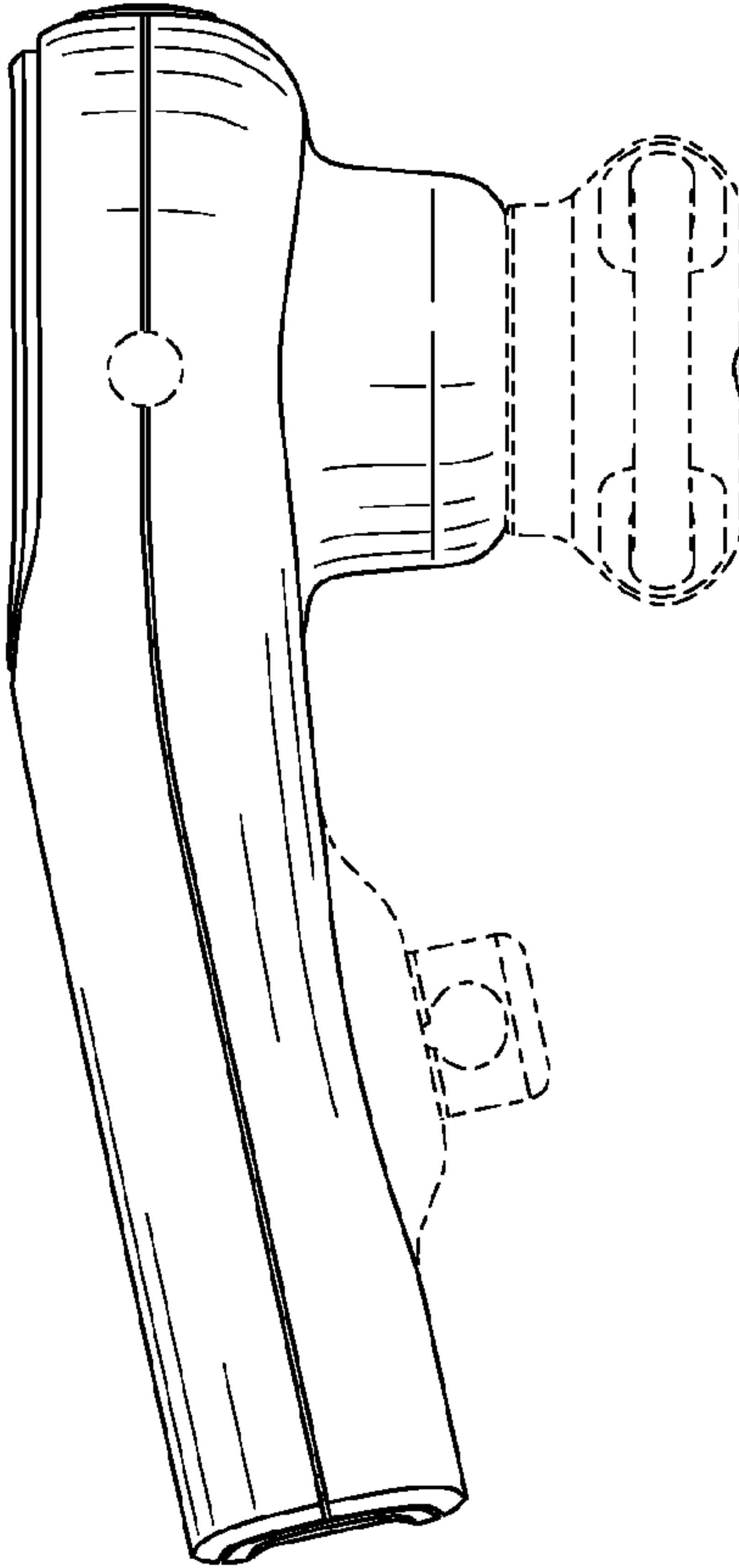


FIG. 3

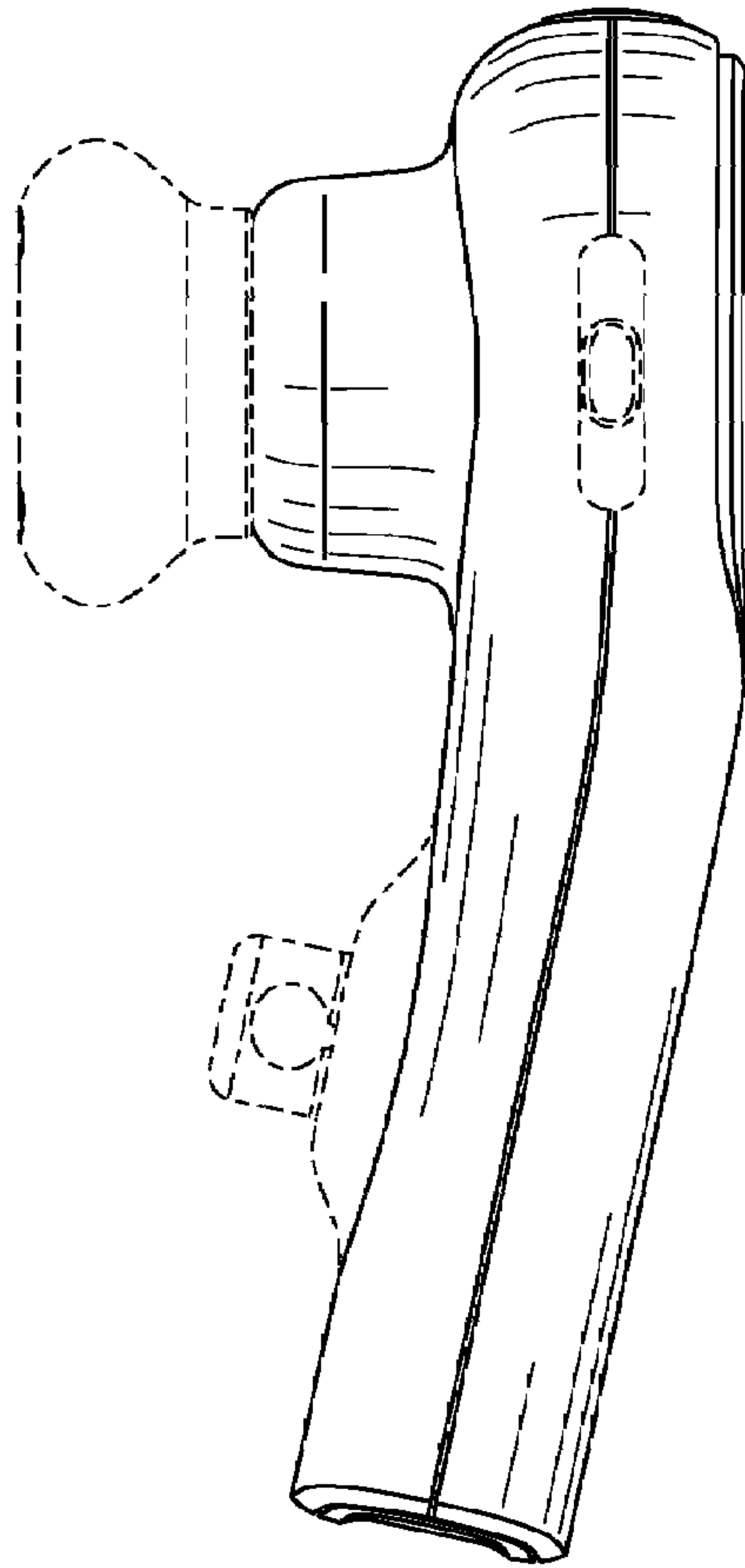


FIG. 4

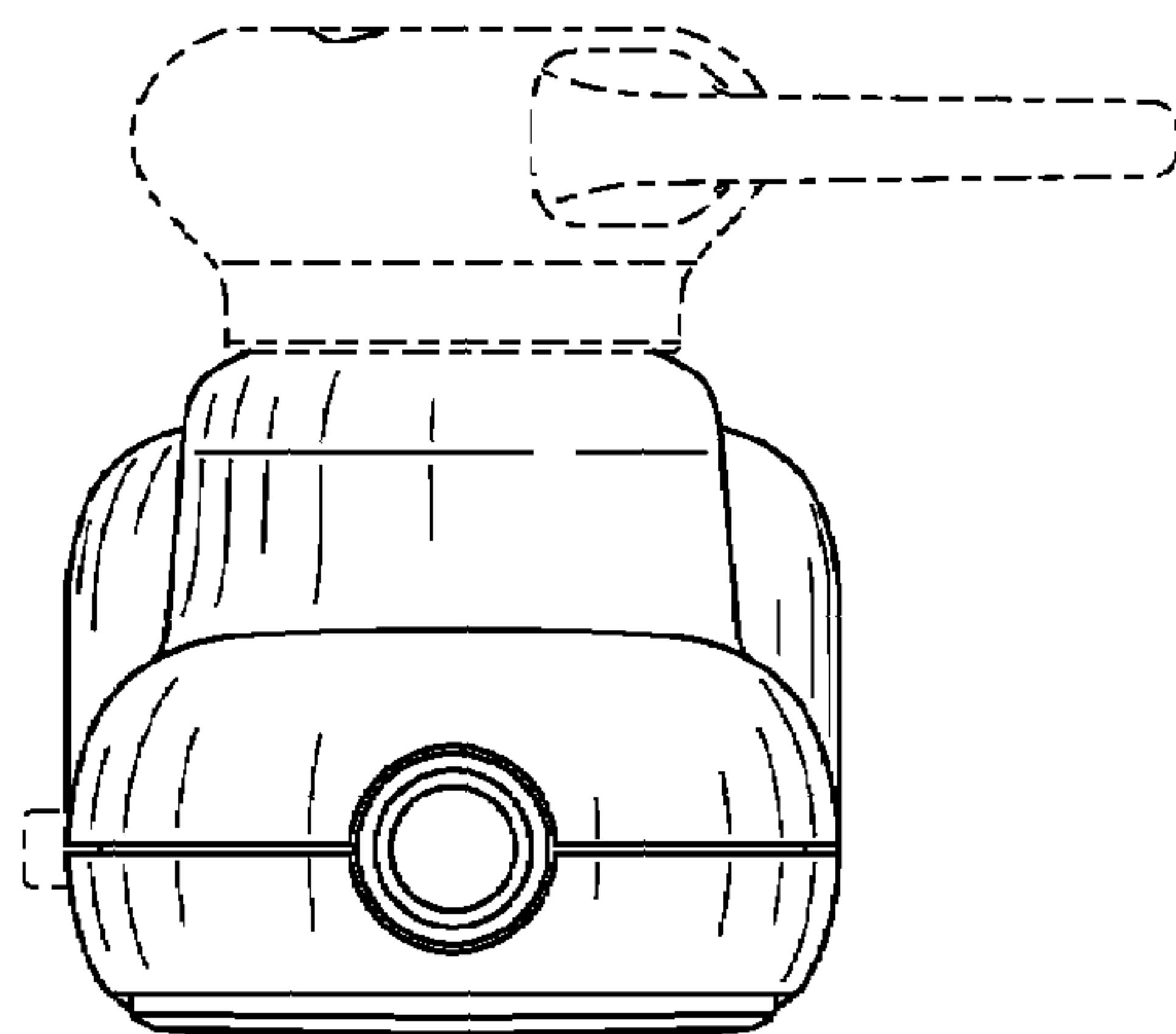


FIG. 5

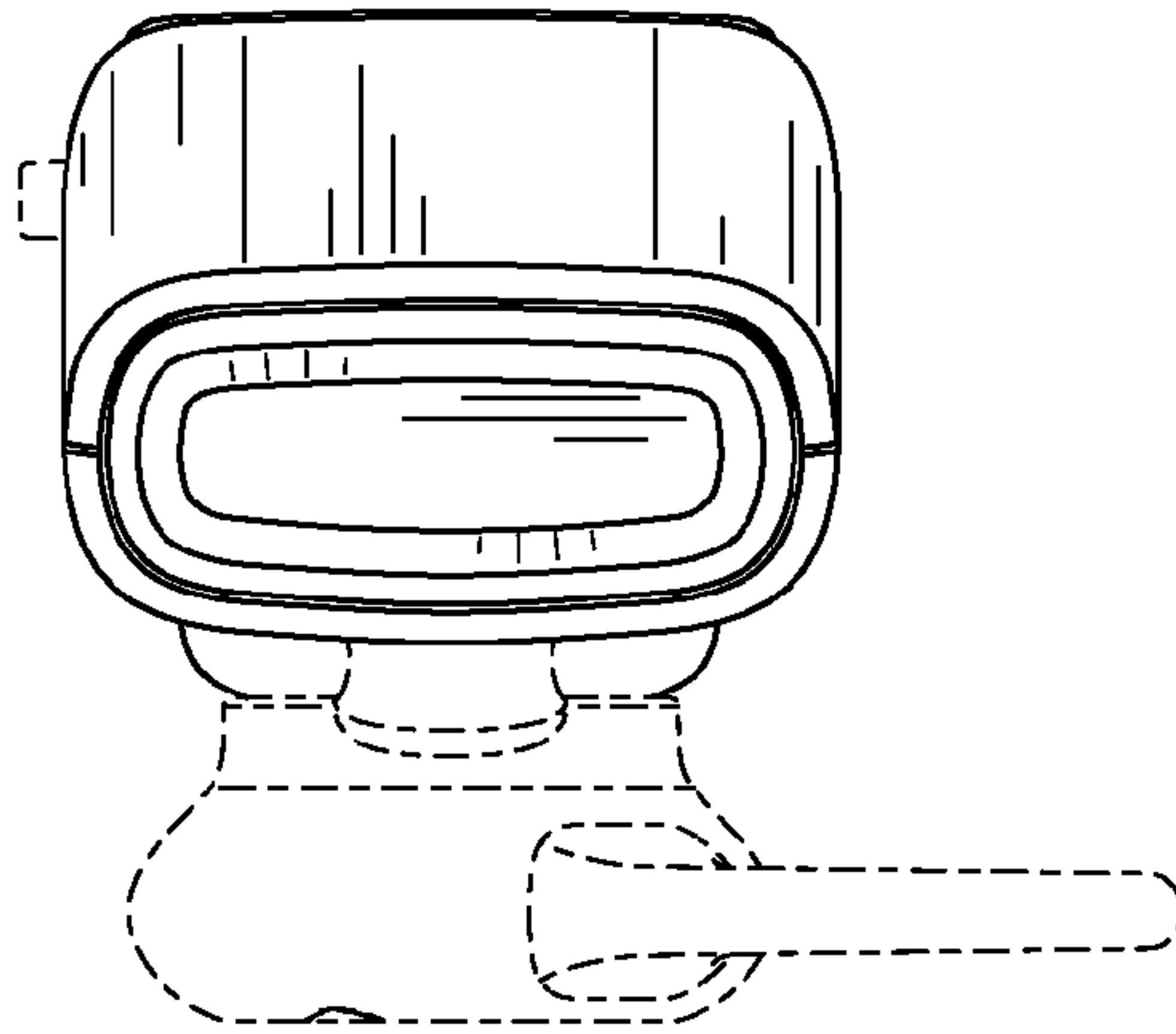


FIG. 6

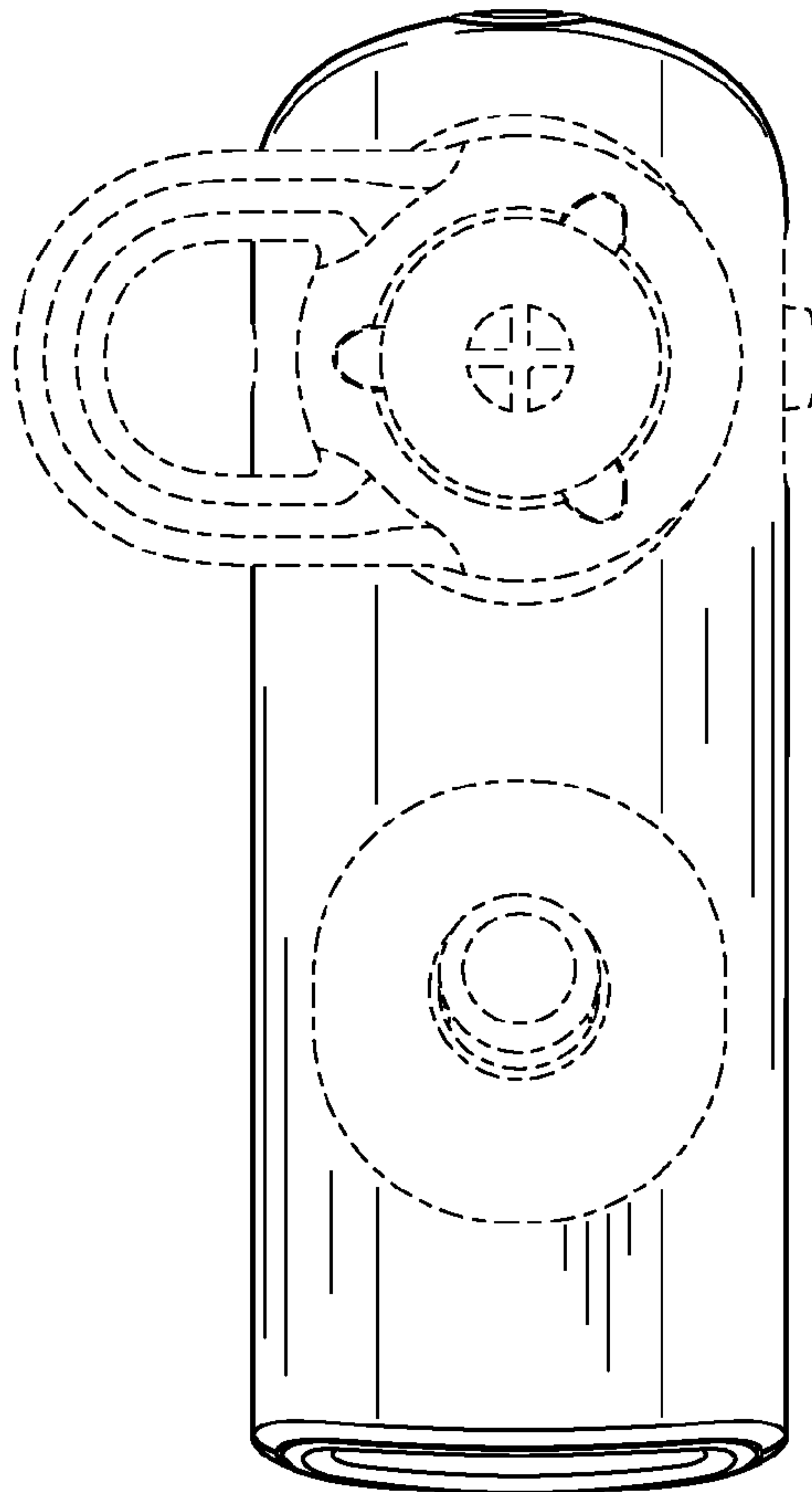


FIG. 7