



US00D608764S

(12) **United States Design Patent**
Oishi et al.

(10) **Patent No.:** **US D608,764 S**
(45) **Date of Patent:** **** *Jan. 26, 2010**

(54) **SPEAKER FOR AUTOMOBILE**

(75) Inventors: **Hironori Oishi**, Tokyo (JP); **Shuji Natori**, Tokyo (JP); **Junichi Tanaka**, Tokyo (JP)

(73) Assignee: **Pioneer Corporation**, Tokyo (JP)

(*) Notice: This patent is subject to a terminal disclaimer.

(**) Term: **14 Years**

(21) Appl. No.: **29/311,073**

(22) Filed: **Dec. 18, 2008**

(30) **Foreign Application Priority Data**

Aug. 4, 2008 (JP) 2008-020052

(51) **LOC (9) Cl.** **14-01**

(52) **U.S. Cl.** **D14/216**

(58) **Field of Classification Search** D14/204,
D14/209-216, 219-220; 181/143-144, 147-148,
181/150, 157, 198-199, 151, 153; 381/300-302,
381/306, 333, 345, 361-364, 386-388, 332,
381/336

See application file for complete search history.

(56) **References Cited**

U.S. PATENT DOCUMENTS

D253,108 S * 10/1979 Schroeder D14/216
D254,130 S * 2/1980 Iijima D14/215

D254,252 S * 2/1980 Matsubara D14/216
D254,434 S * 3/1980 Iijima D14/216
D265,086 S * 6/1982 Kawachi D14/216
D265,556 S * 7/1982 Iijima D14/216
4,837,839 A * 6/1989 Andrews 381/182

* cited by examiner

Primary Examiner—Nanda Bondade

(74) *Attorney, Agent, or Firm*—Jean C. Edwards, Esq.; Akerman Senterfitt

(57) **CLAIM**

The ornamental design for a speaker for automobile, as shown and described.

DESCRIPTION

FIG. 1 is a perspective view of the front, bottom and right side of a speaker for automobile showing our new design;

FIG. 2 is a front view thereof;

FIG. 3 is a rear view thereof;

FIG. 4 is a left side view thereof;

FIG. 5 is a right side view thereof;

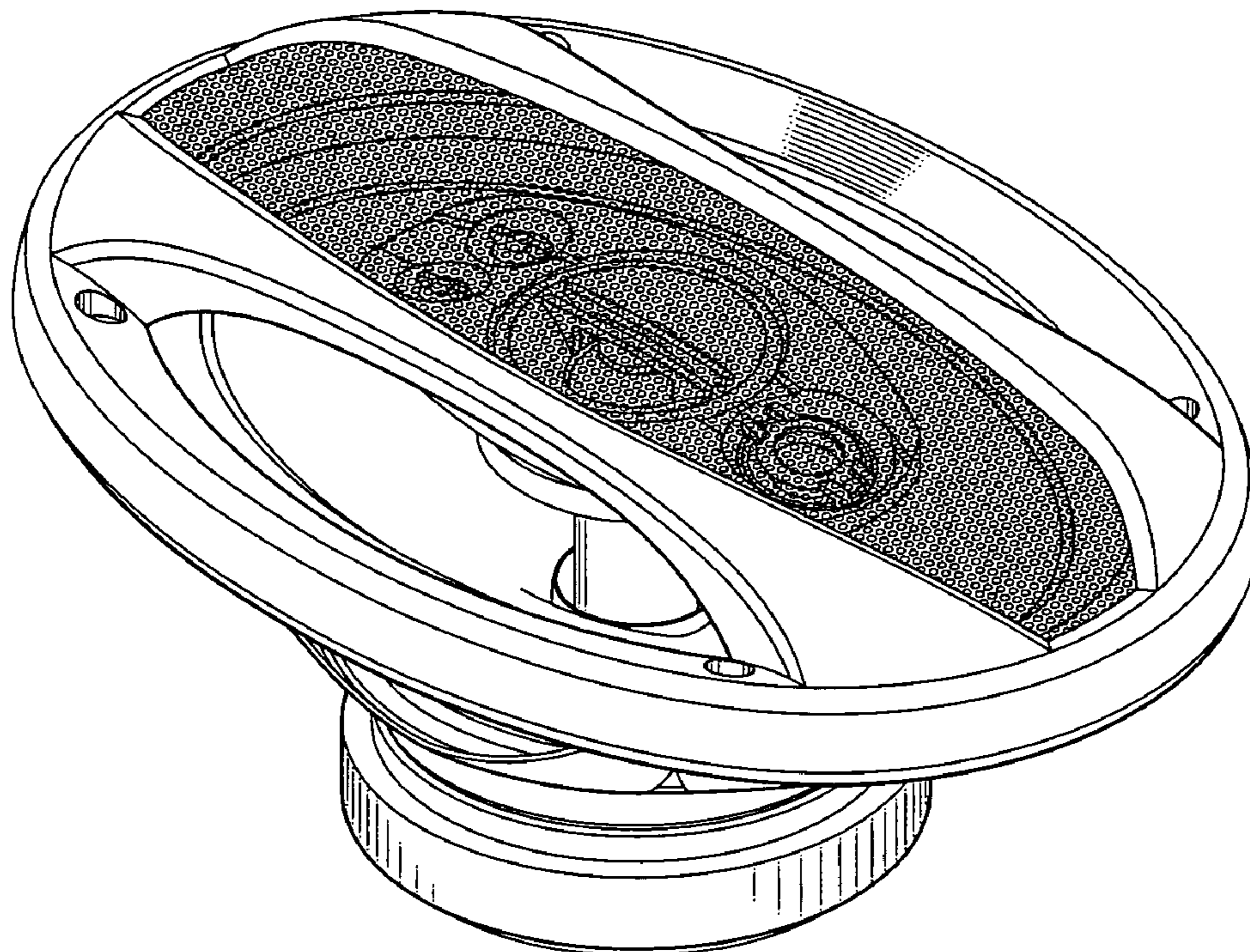
FIG. 6 is a top plan view thereof;

FIG. 7 is a bottom view thereof; and,

FIG. 8 is a front view with the grill removed thereof.

The broken line showing on the drawing disclosure is for illustrative purposes only and forms no part of the claimed design.

1 Claim, 5 Drawing Sheets



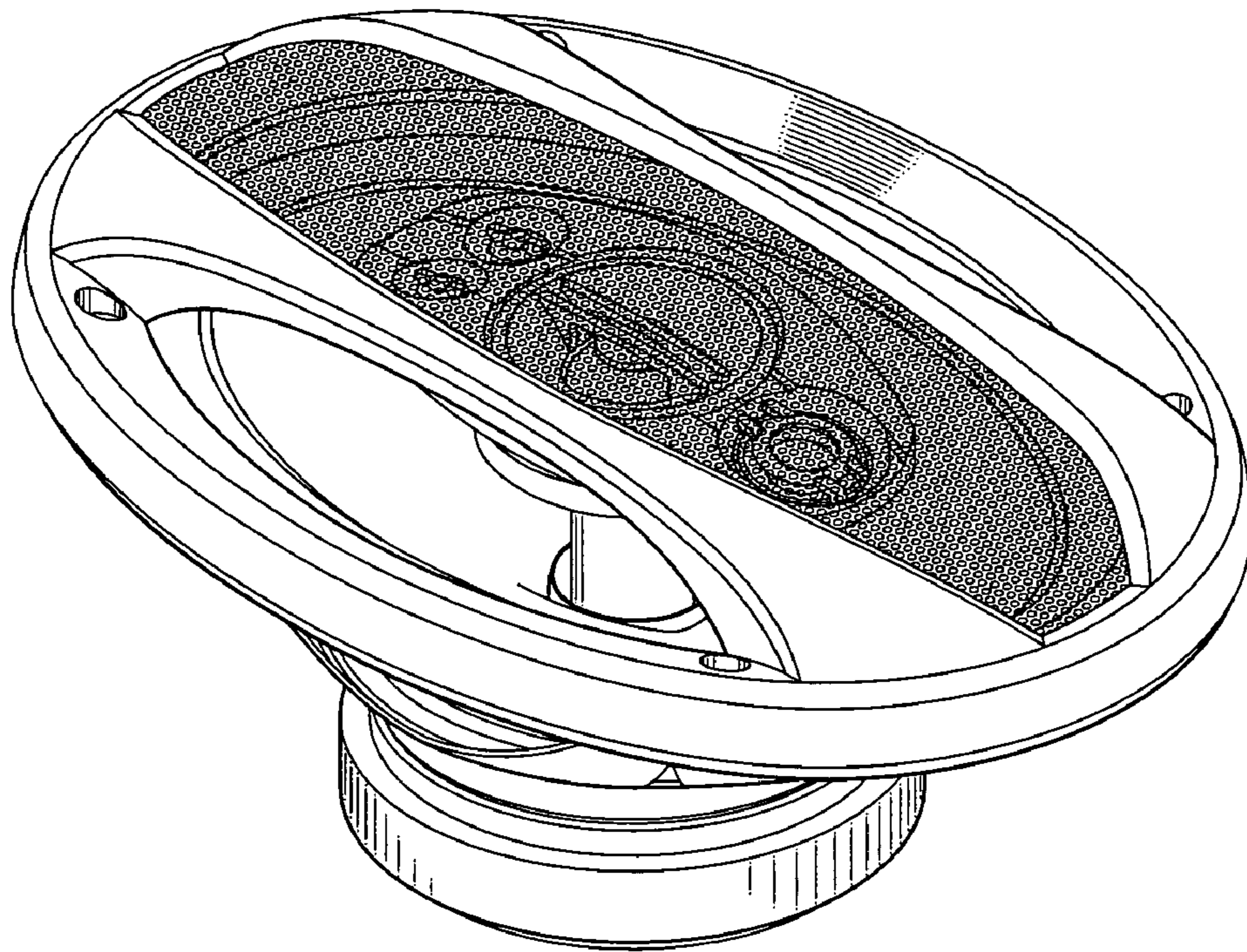


FIG. 1

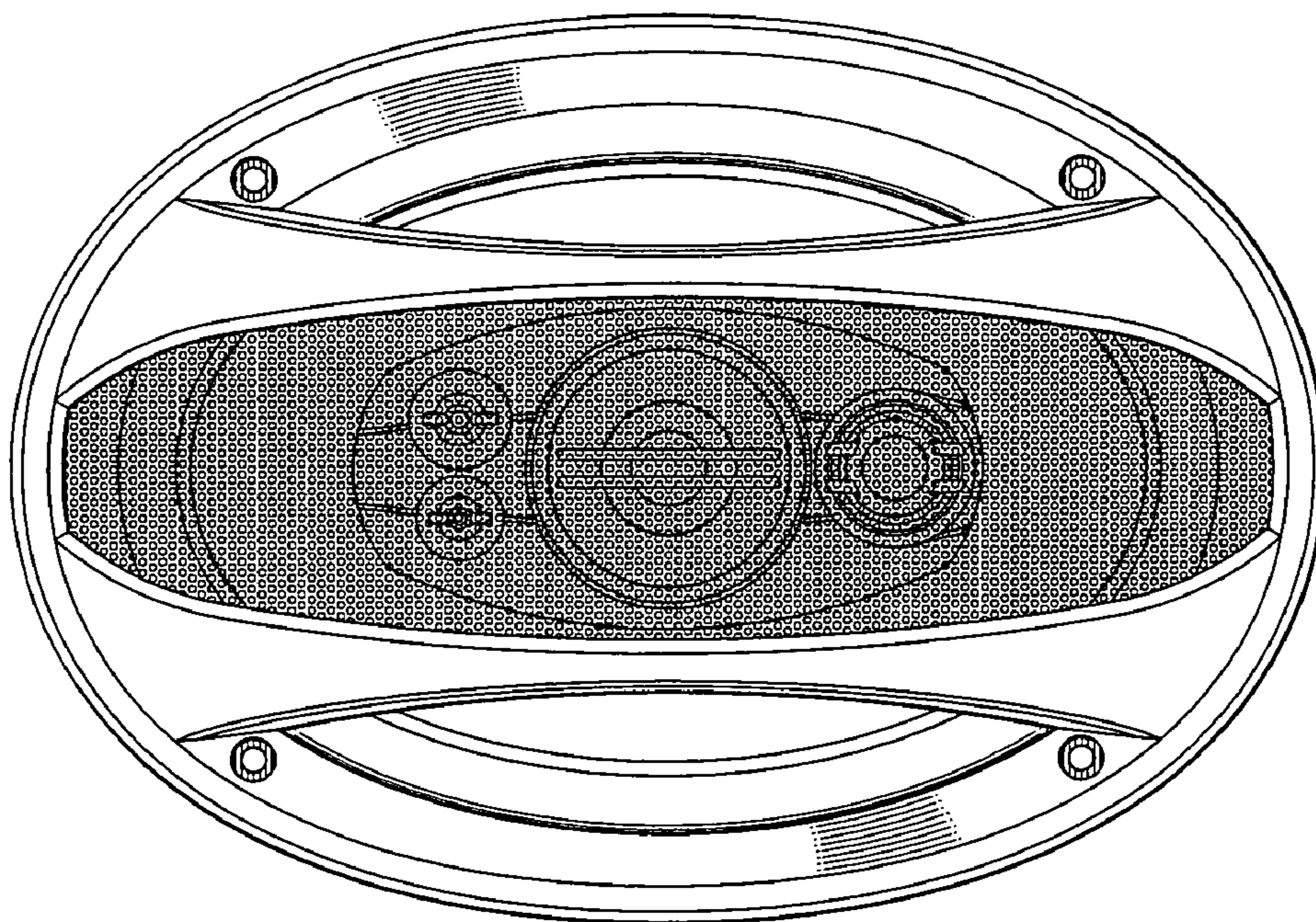


FIG. 2

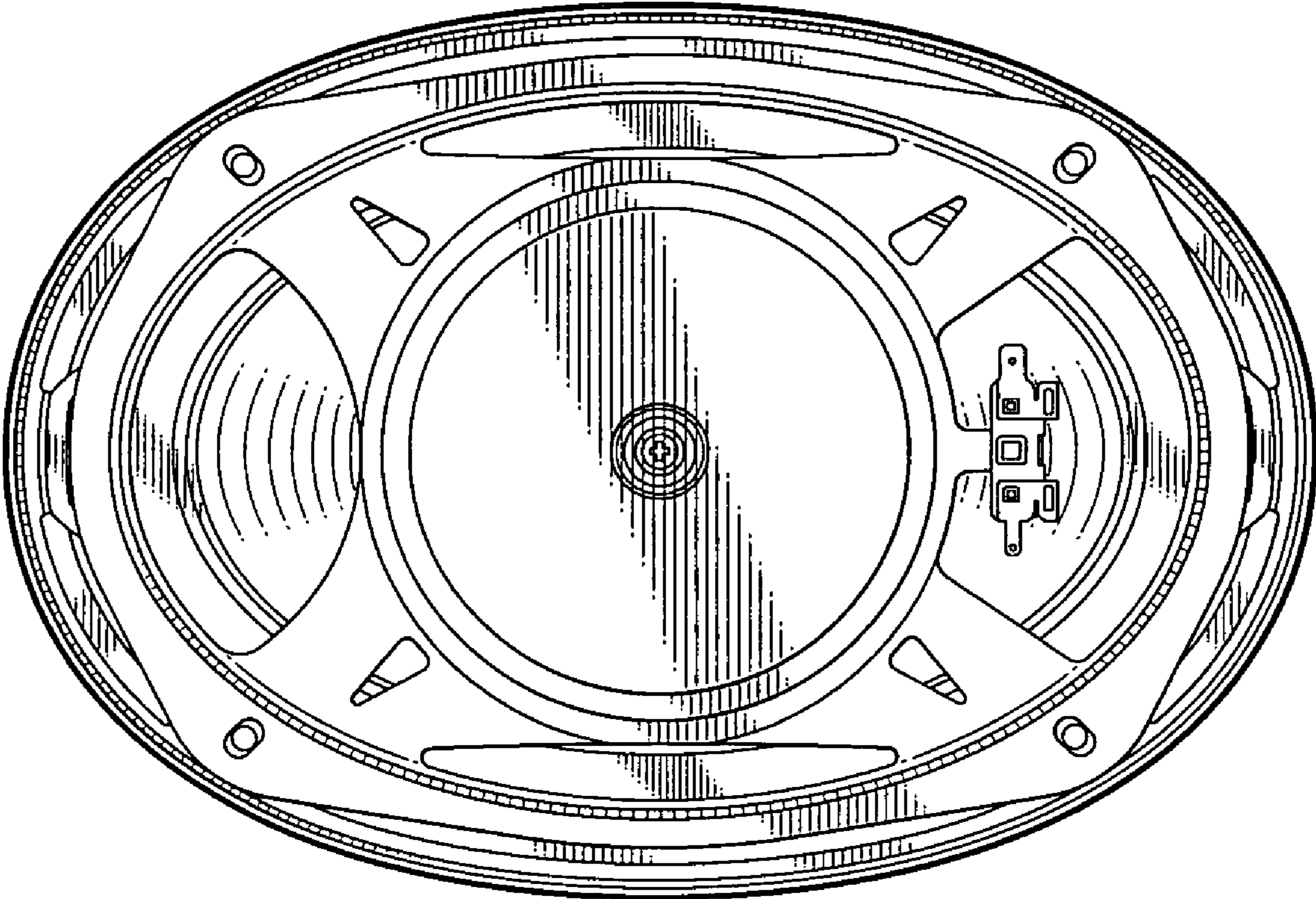


FIG. 3

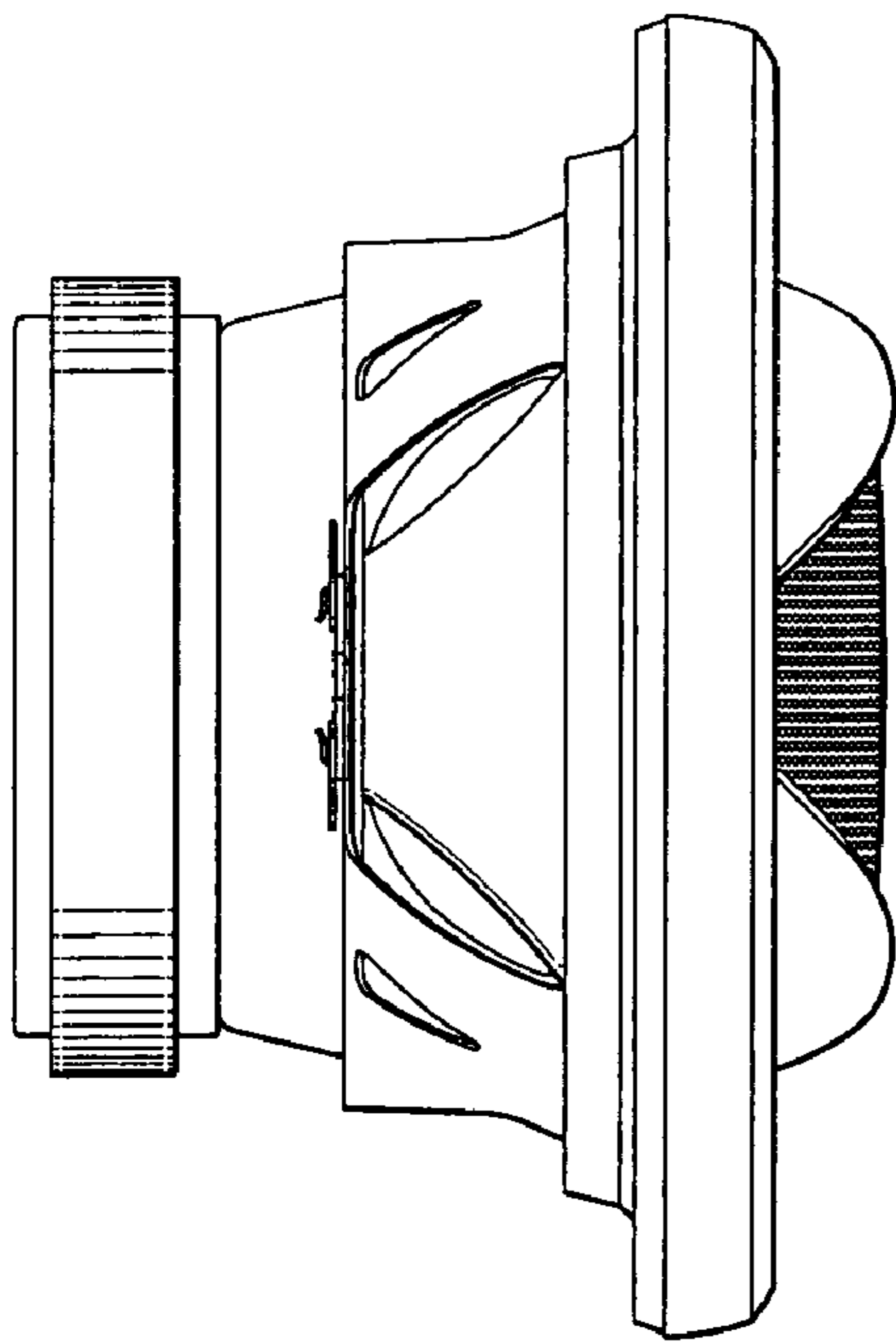


FIG. 4

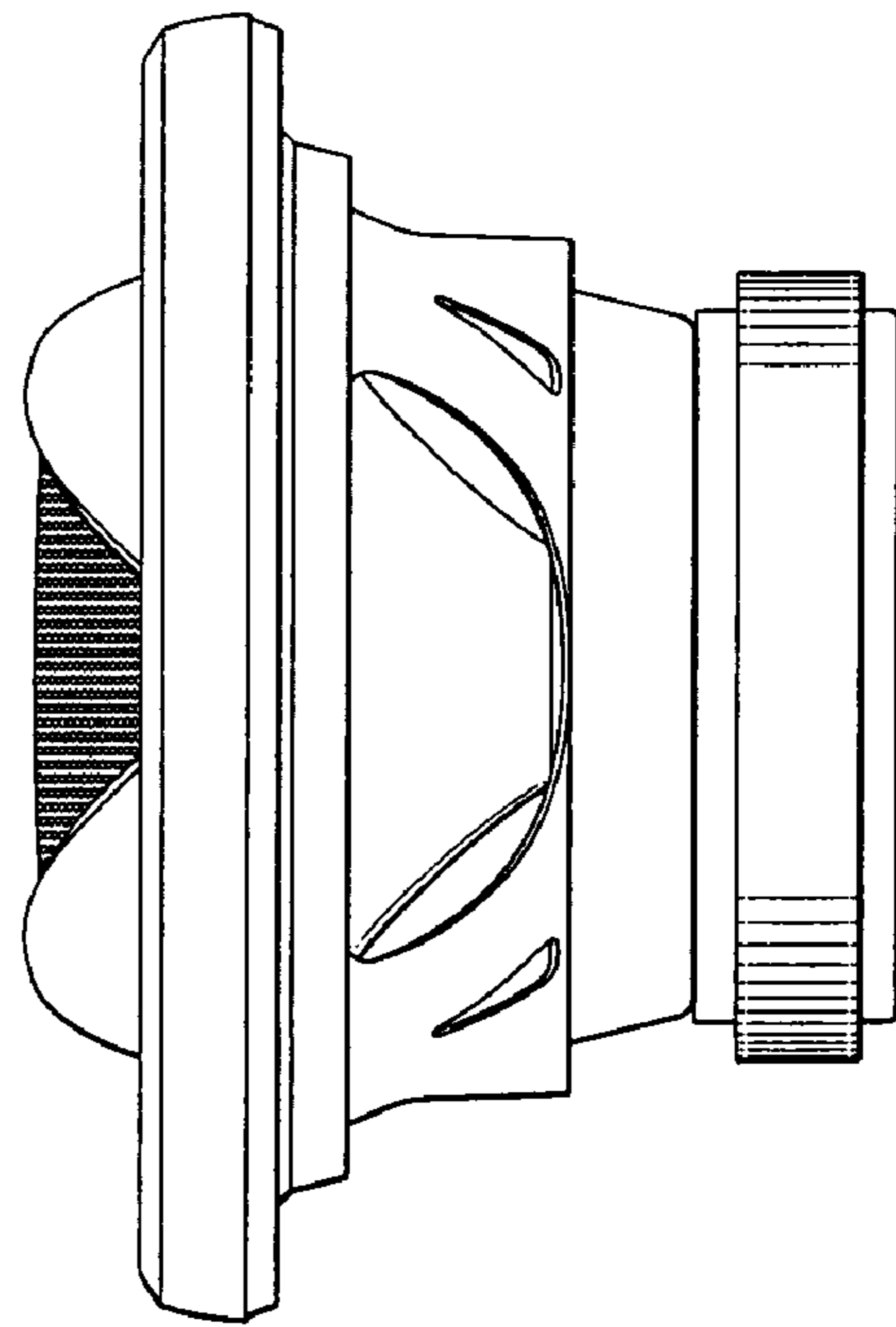


FIG. 5

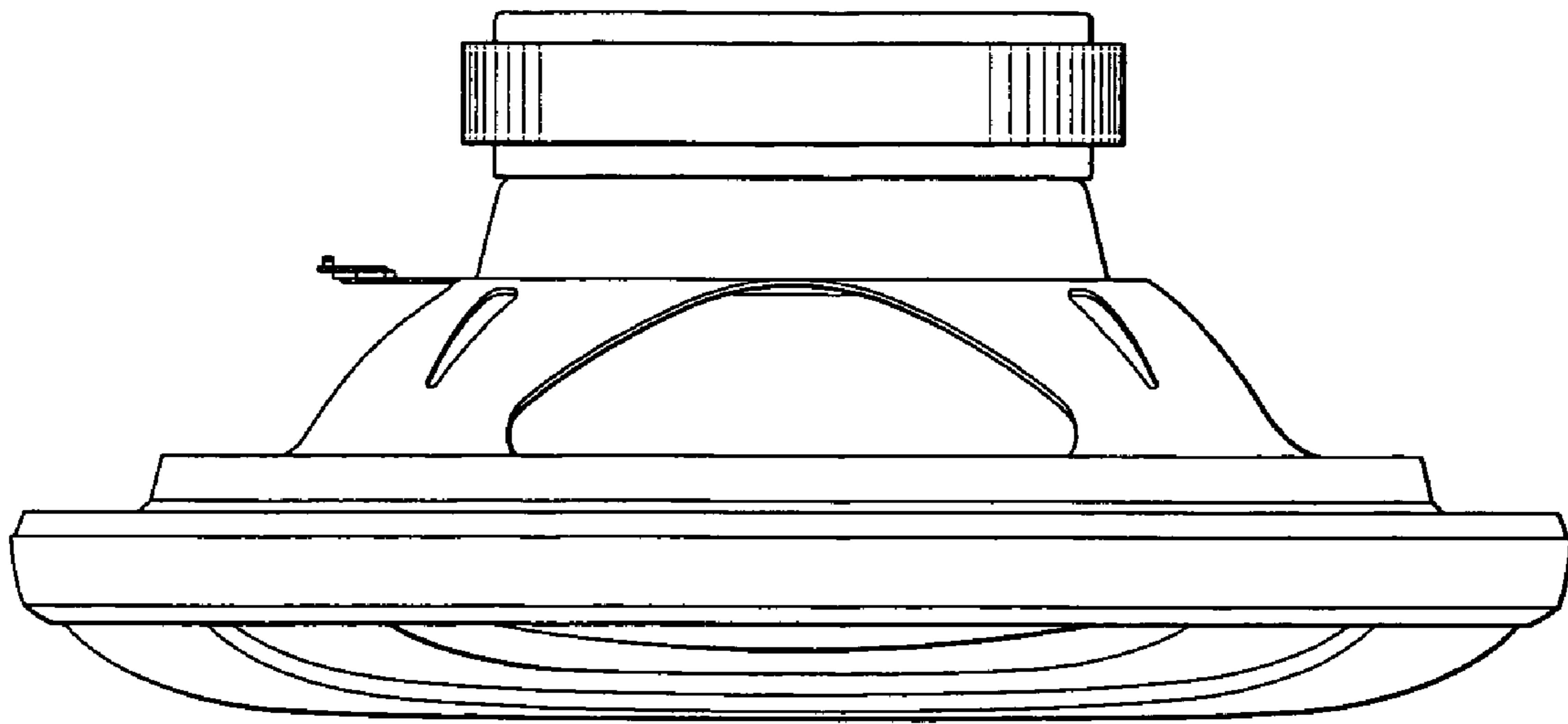


FIG. 6

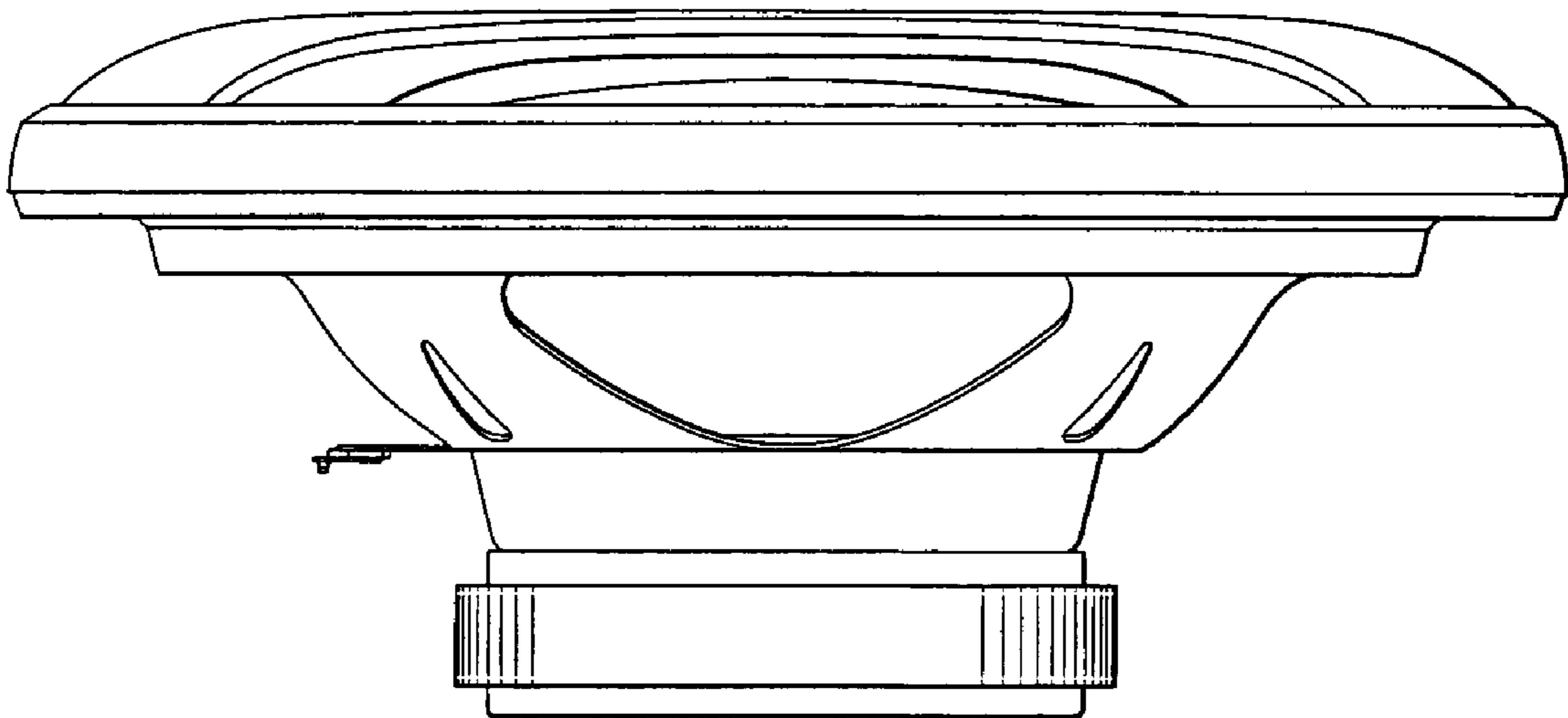


FIG. 7

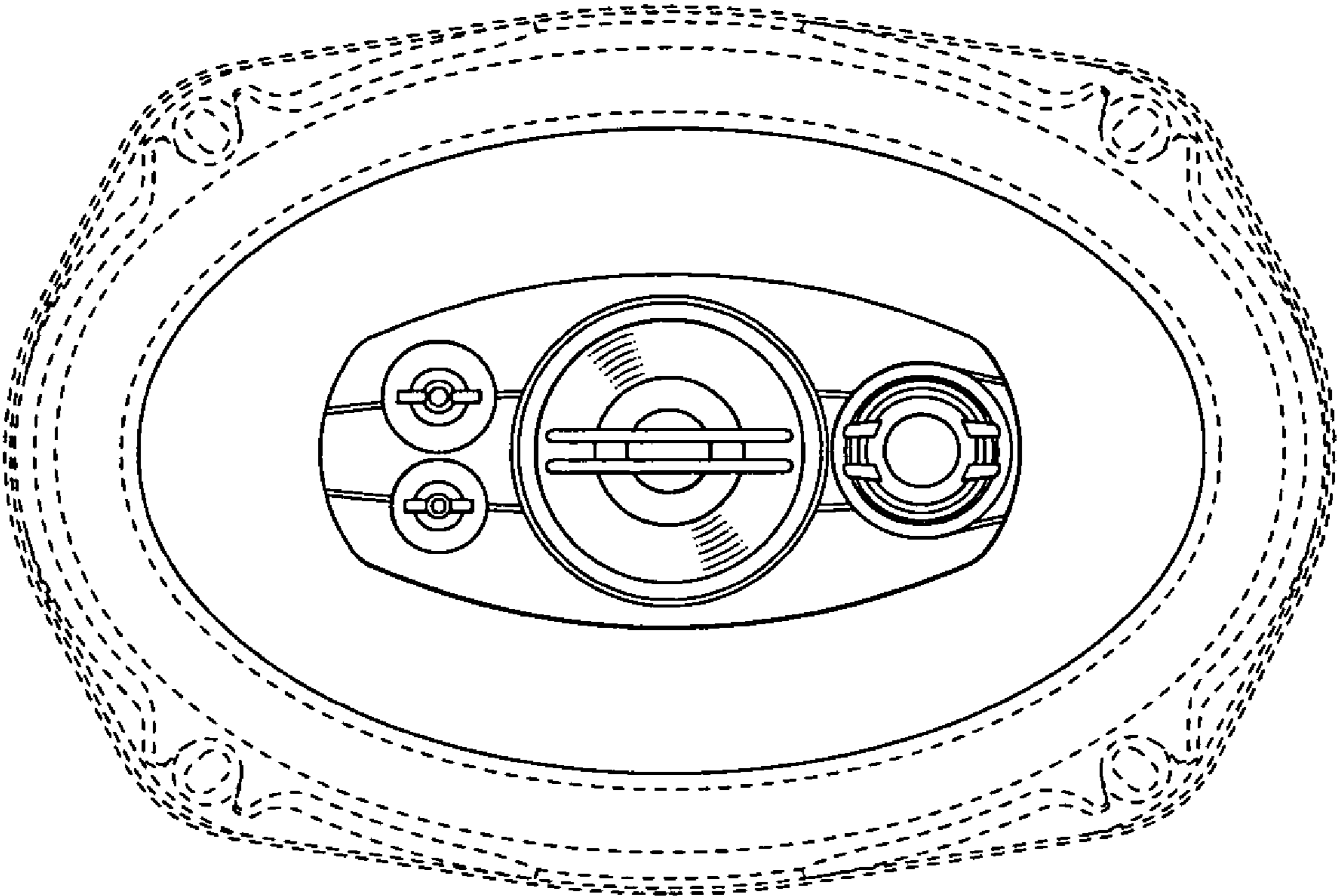


FIG. 8