



US00D608762S

(12) **United States Design Patent**
Sheng

(10) **Patent No.:** **US D608,762 S**

(45) **Date of Patent:** **** Jan. 26, 2010**

(54) **MEDIA PLAYER**

(75) Inventor: **Hao Yu Sheng**, Shanghai (CN)

(73) Assignee: **Creative Technology Ltd**, Singapore (SG)

(**) Term: **14 Years**

(21) Appl. No.: **29/335,069**

(22) Filed: **Apr. 8, 2009**

(30) **Foreign Application Priority Data**

Nov. 12, 2008 (SG) D2008/1098/D

(51) **LOC (9) Cl.** **14-03**

(52) **U.S. Cl.** **D14/203.3; D14/496**

(58) **Field of Classification Search** D14/496,
D14/401, 435, 474, 483, 217, 137, 138, 160,
D14/168, 356, 203.1–203.8, 507; 345/156,
345/169, 173–179, 905; 715/727–729, 864;
710/1, 5, 8; 713/1, 600; 455/1.1, 1.7, 73,
455/344–347, 93, 95, 3.01–3.06, 550.1, 573.1;
370/342–344; 369/1, 2, 6–12; 463/43–47;
273/148 B

See application file for complete search history.

(56) **References Cited**

U.S. PATENT DOCUMENTS

6,227,966 B1 * 5/2001 Yokoi 463/1
6,287,193 B1 * 9/2001 Rehkemper et al. 463/1

D458,241 S * 6/2002 Simpson et al. D14/510
D496,668 S * 9/2004 Huang D14/203.6
D514,122 S * 1/2006 Rodarte D14/203.6
D521,022 S * 5/2006 Chen D14/203.6
D527,017 S * 8/2006 Kim D14/203.6
D538,821 S * 3/2007 Bender D14/203.6
D539,304 S * 3/2007 Lee D14/203.6

* cited by examiner

Primary Examiner—Prabhakar Deshmukh

(74) *Attorney, Agent, or Firm*—Kennedy Koblin

(57) **CLAIM**

The ornamental design for a media player, substantially as shown and described.

DESCRIPTION

FIG. 1 is a front perspective view of the media player in accordance with the present design;

FIG. 2 is a rear perspective view of the media player in accordance with the present design;

FIG. 3 is a front view of the media player shown in FIG. 1;

FIG. 4 is a back view of the media player shown in FIG. 1;

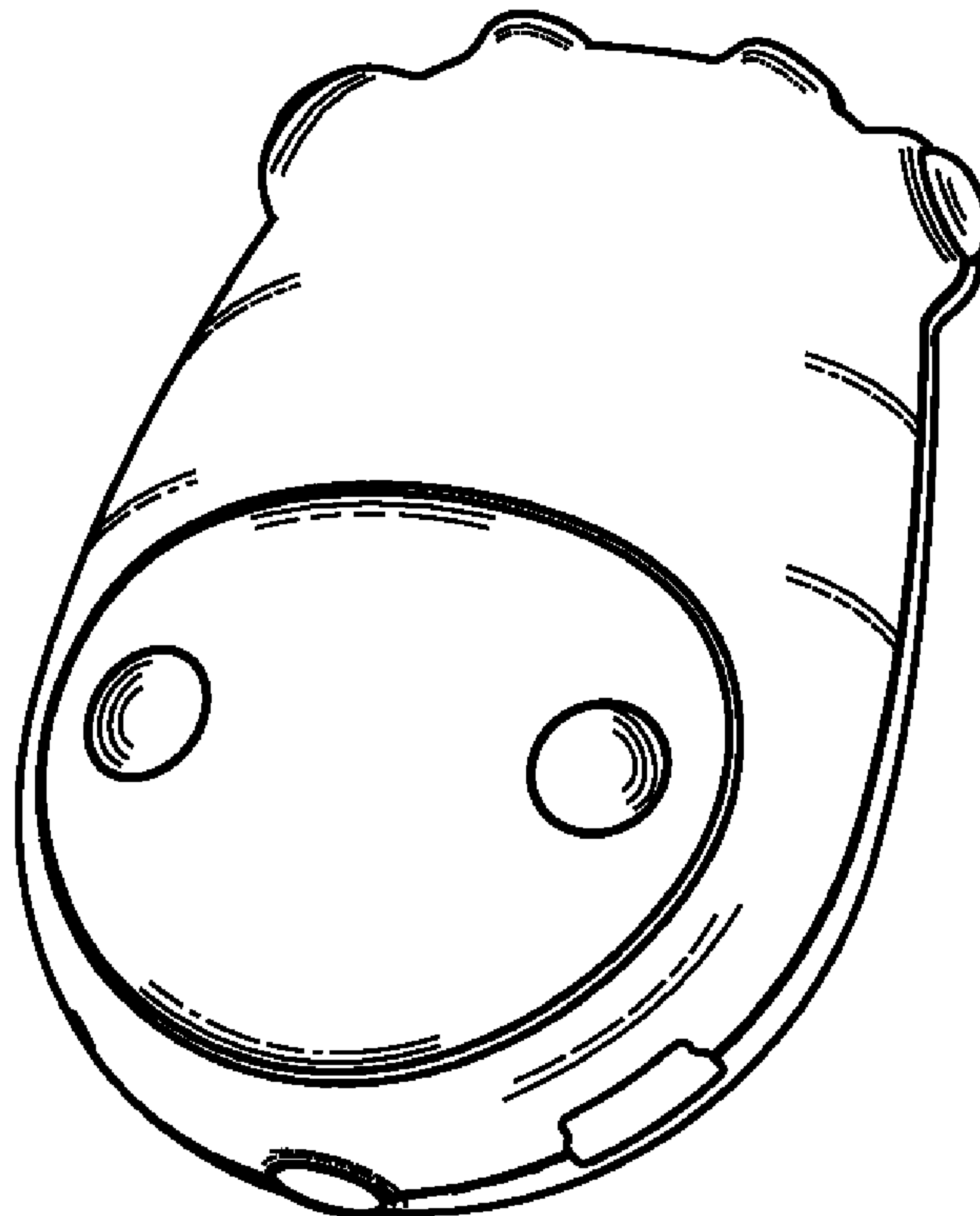
FIG. 5 is a left view of the media player shown in FIG. 1;

FIG. 6 is a right view of the media player shown in FIG. 1;

FIG. 7 is a top view of the media player shown in FIG. 1; and,

FIG. 8 is a bottom view of the media player shown in FIG. 1.

1 Claim, 4 Drawing Sheets



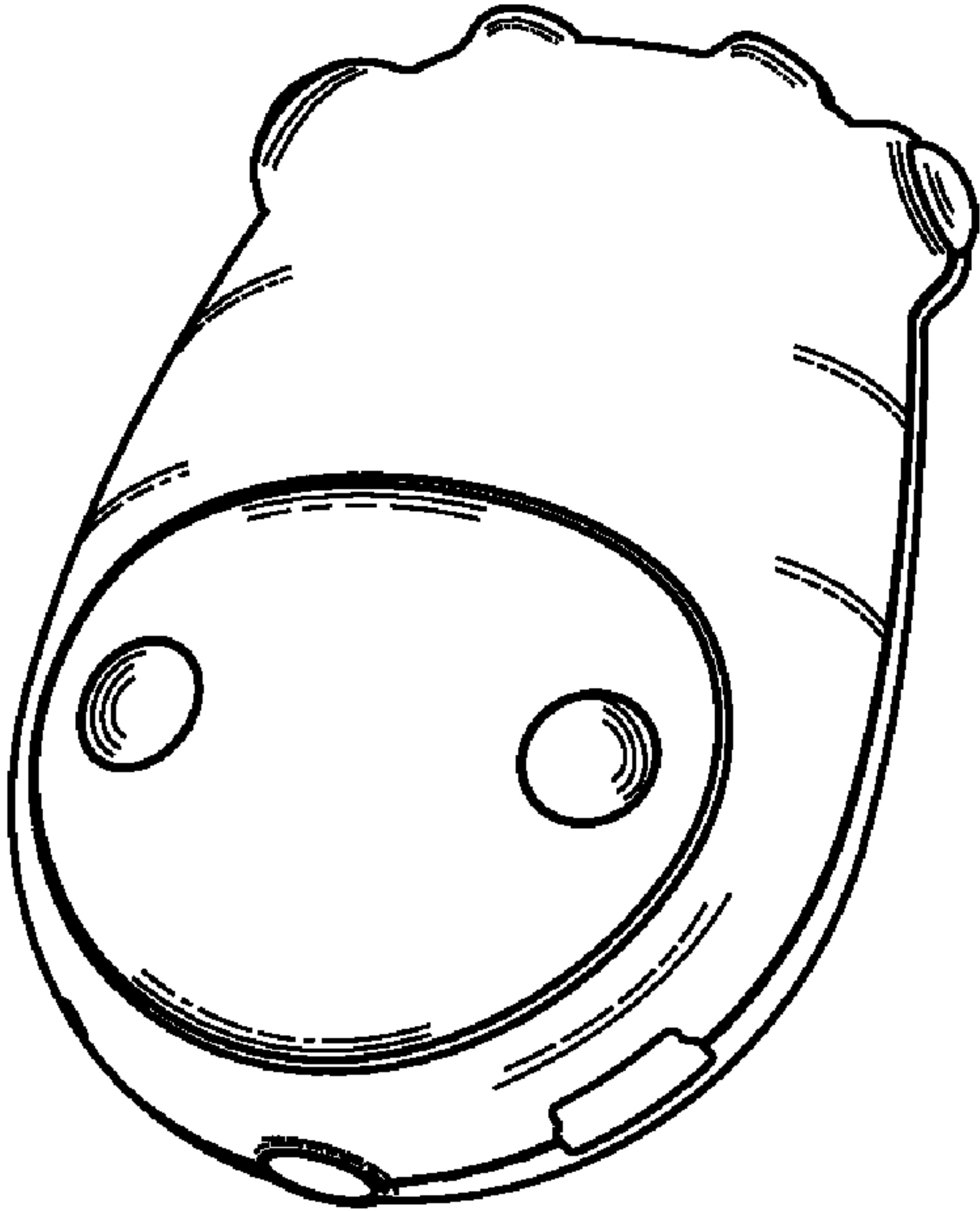


FIG. 1

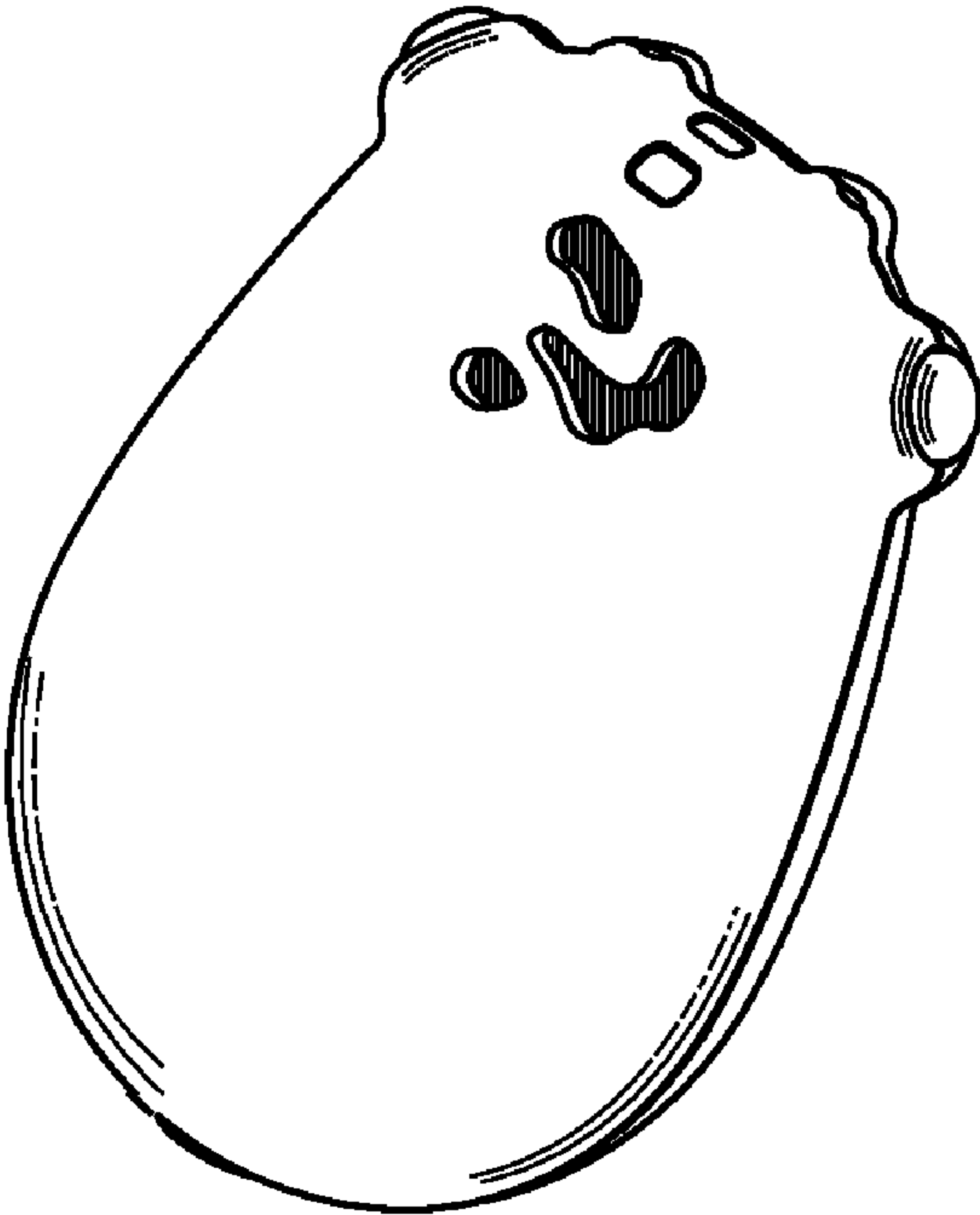


FIG. 2

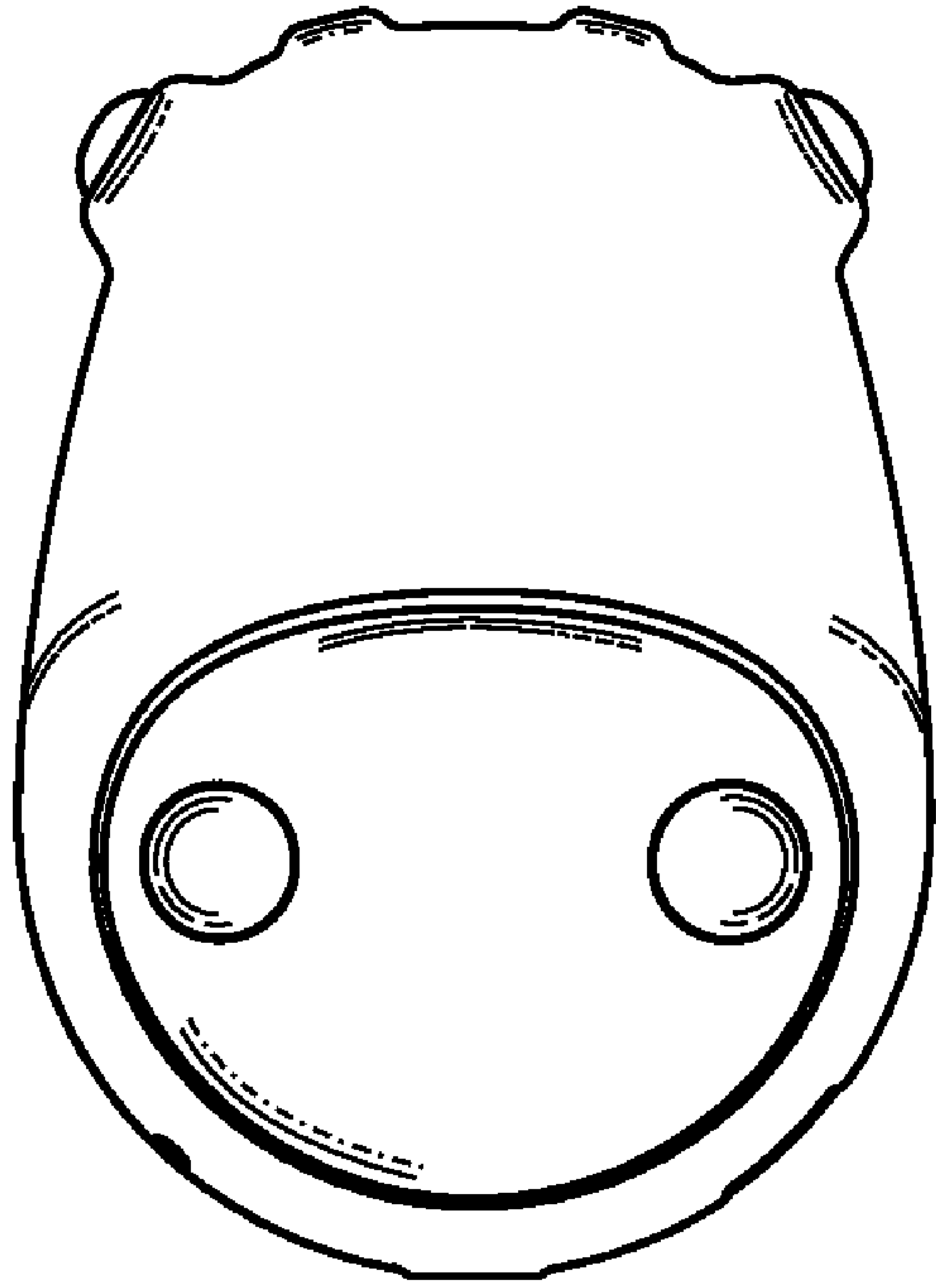


FIG. 3

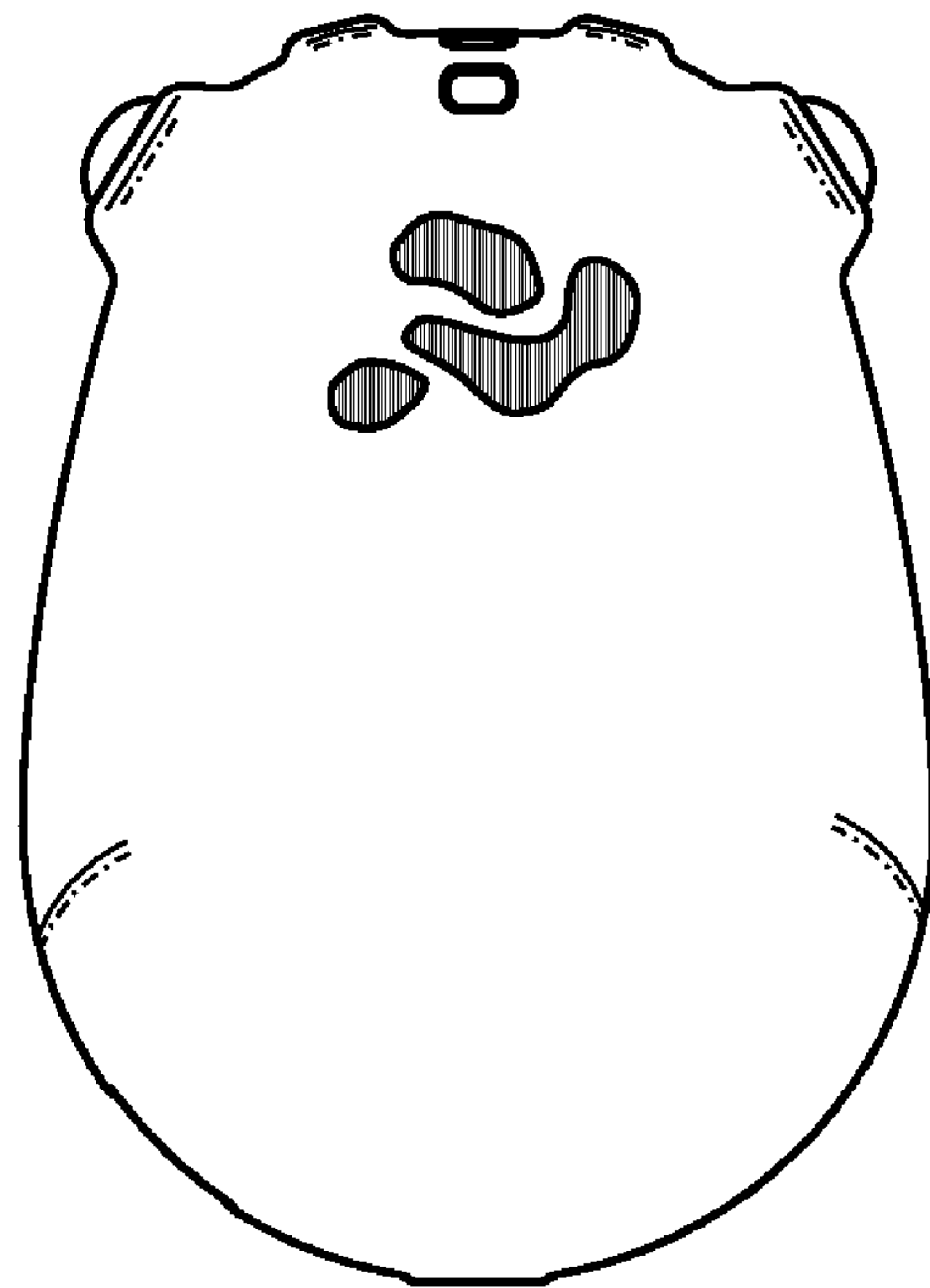


FIG. 4

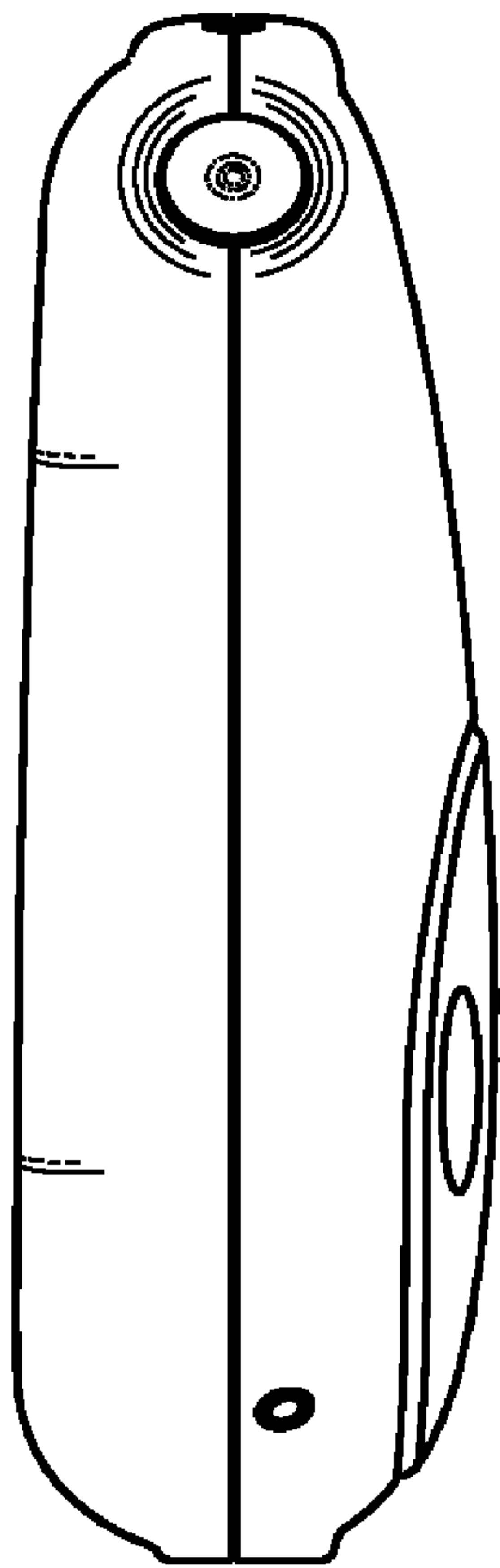


FIG. 5

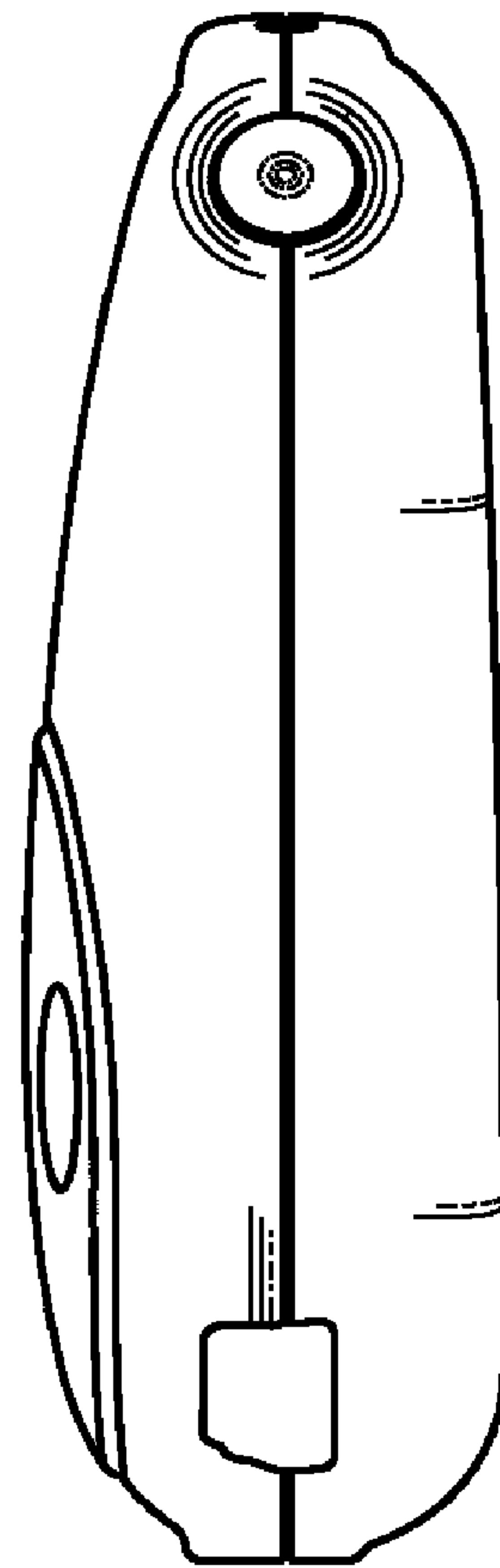


FIG. 6

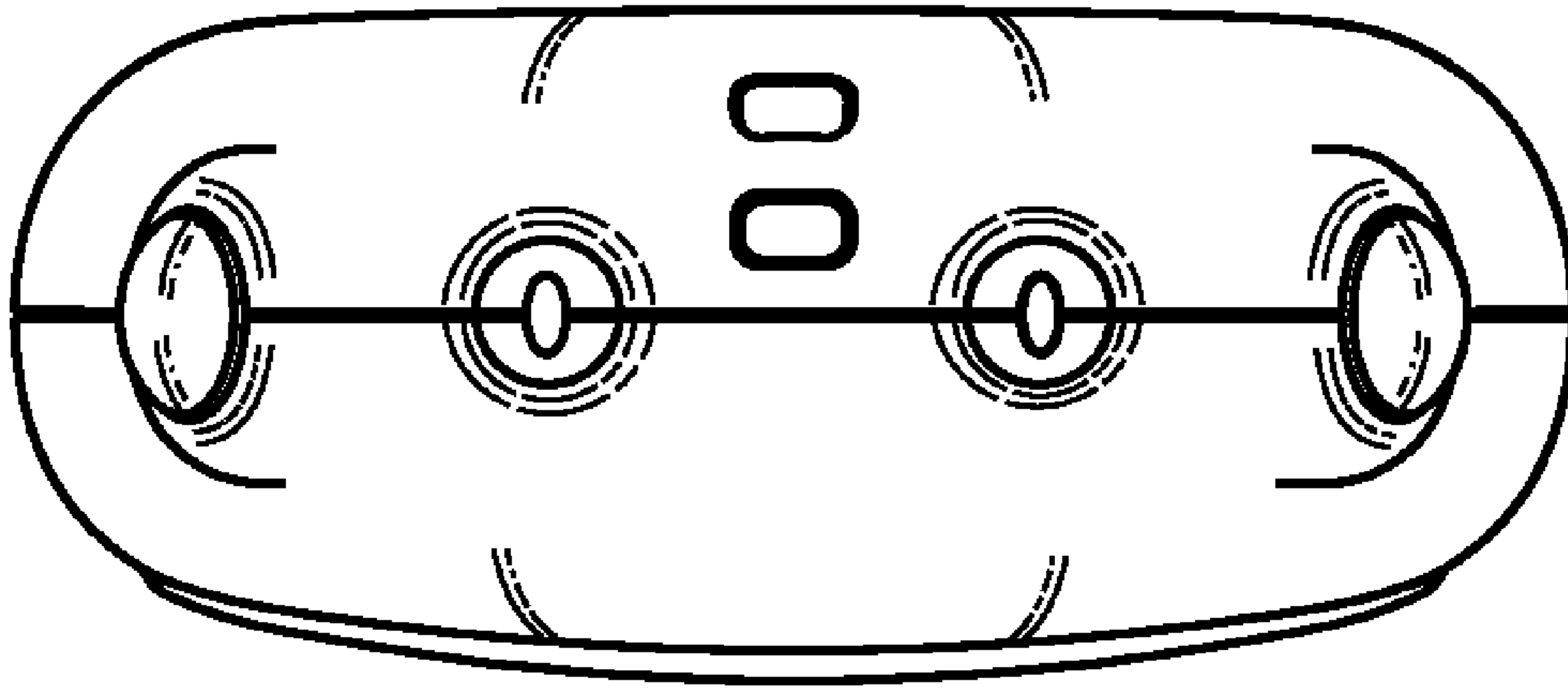


FIG. 7

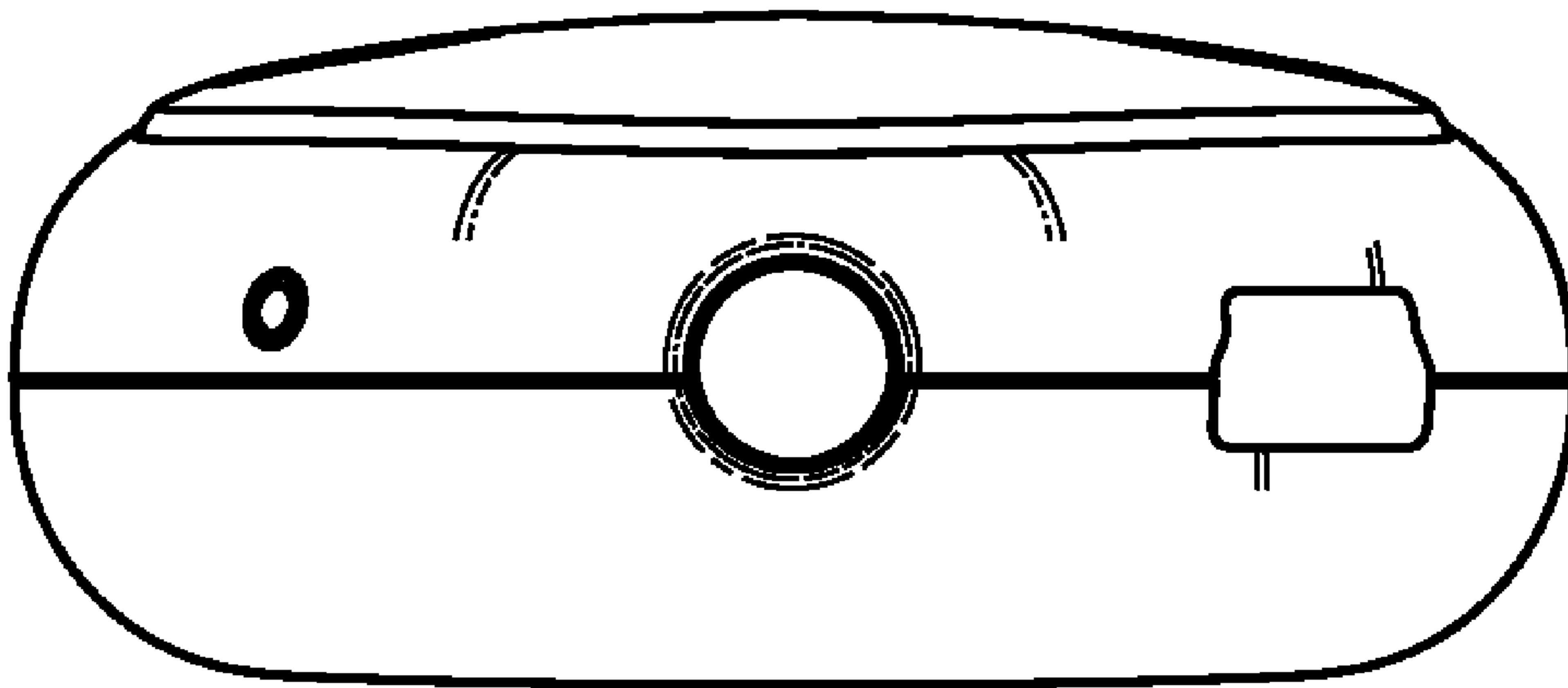


FIG. 8