



US00D608761S

(12) **United States Design Patent**
Kim

(10) **Patent No.:** **US D608,761 S**
(45) **Date of Patent:** **** Jan. 26, 2010**

(54) **AUDIO DEVICE**

(75) Inventor: **Tae Ho Kim**, Seoul (KR)

(73) Assignee: **LG Electronics Inc.**, Seoul (KR)

(**) Term: **14 Years**

(21) Appl. No.: **29/332,244**

(22) Filed: **Feb. 11, 2009**

(30) **Foreign Application Priority Data**

Aug. 12, 2008 (KR) 30-2008-0035017

(51) **LOC (9) Cl.** **14-03**

(52) **U.S. Cl.** **D14/188**

(58) **Field of Classification Search** D14/142,
D14/149, 155, 157, 188, 193-198, 203.1-203.8,
D14/217, 251, 253, 432-435.1, 447, 451,
D14/474, 480.1-480.7, 496; 381/1, 2, 86,
381/120; 455/556.1-556.2, 557, 344-351

See application file for complete search history.

(56) **References Cited**

U.S. PATENT DOCUMENTS

D442,574 S * 5/2001 Ishii D14/168
D450,312 S * 11/2001 Ishii D14/217
D476,308 S * 6/2003 Bhavnani D14/197
D477,306 S * 7/2003 Chen D14/194

D502,934 S * 3/2005 Rose D14/168
D503,932 S * 4/2005 Bhavnani D14/197
D533,538 S * 12/2006 Kulkarni D14/188
D552,053 S * 10/2007 Kim D14/499
D587,237 S * 2/2009 Son et al. D14/168

* cited by examiner

Primary Examiner—Stella M Reid

Assistant Examiner—Keli L Hill

(74) *Attorney, Agent, or Firm*—Birch, Stewart, Kolasch & Birch, LLP

(57) **CLAIM**

The ornamental design for an audio device, as shown and described.

DESCRIPTION

FIG. 1 is a top, front, perspective view of an audio device showing my new design;

FIG. 2 is a front view thereof;

FIG. 3 is a rear view thereof;

FIG. 4 is a left side view thereof;

FIG. 5 is a right side view thereof;

FIG. 6 is a top plan view thereof; and,

FIG. 7 is a bottom plan view thereof.

1 Claim, 3 Drawing Sheets

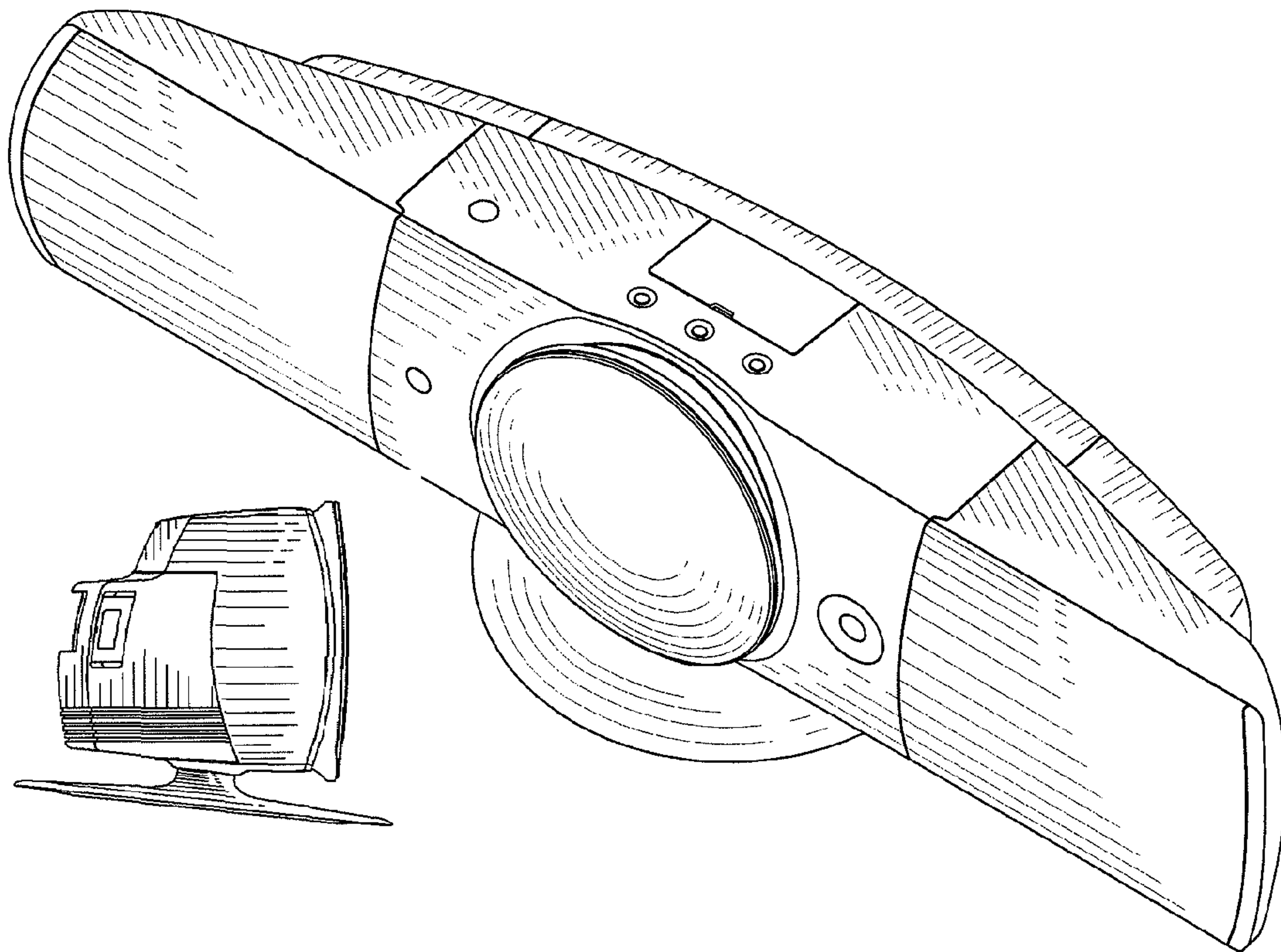


FIG. 1

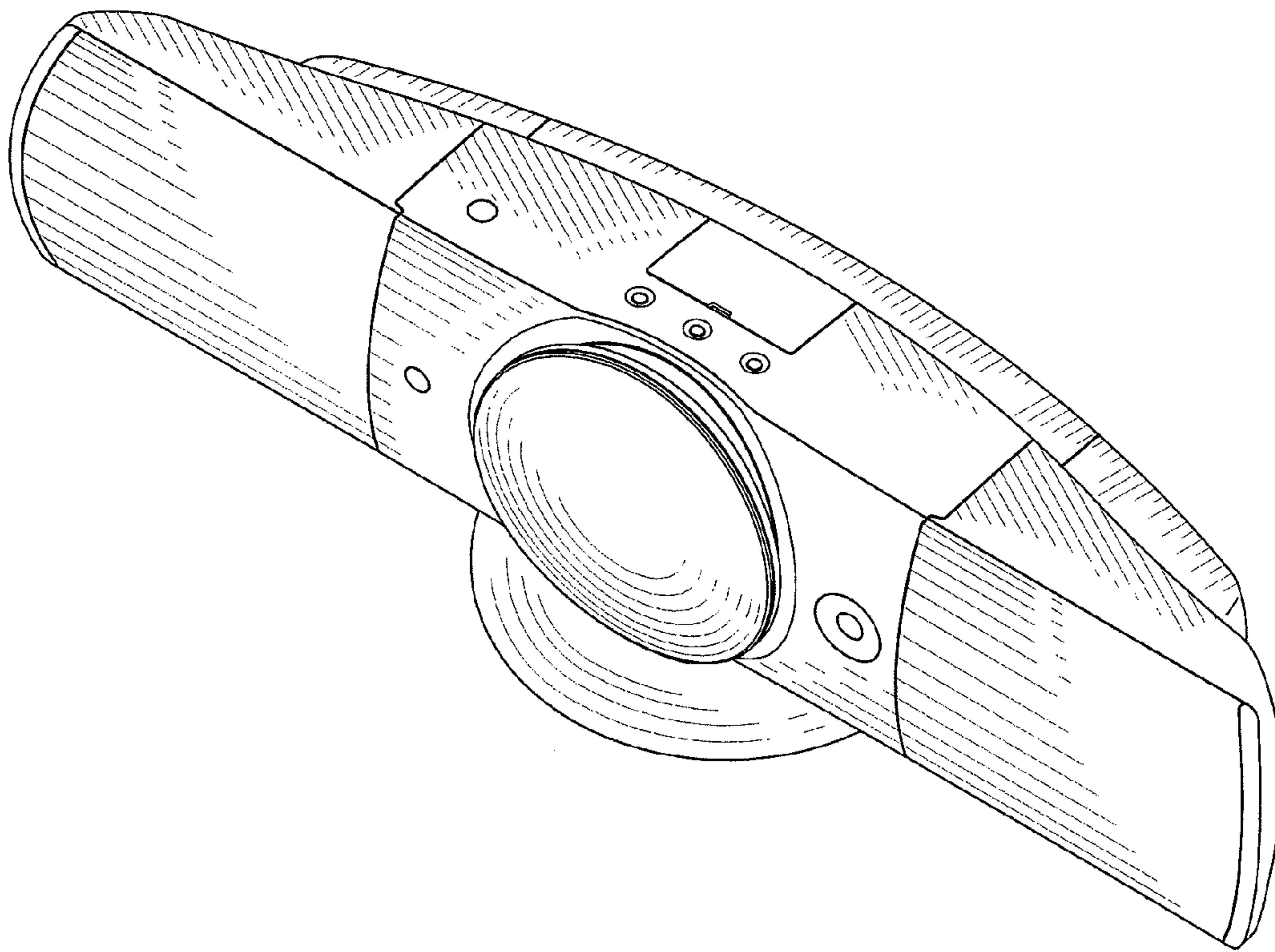


FIG. 2

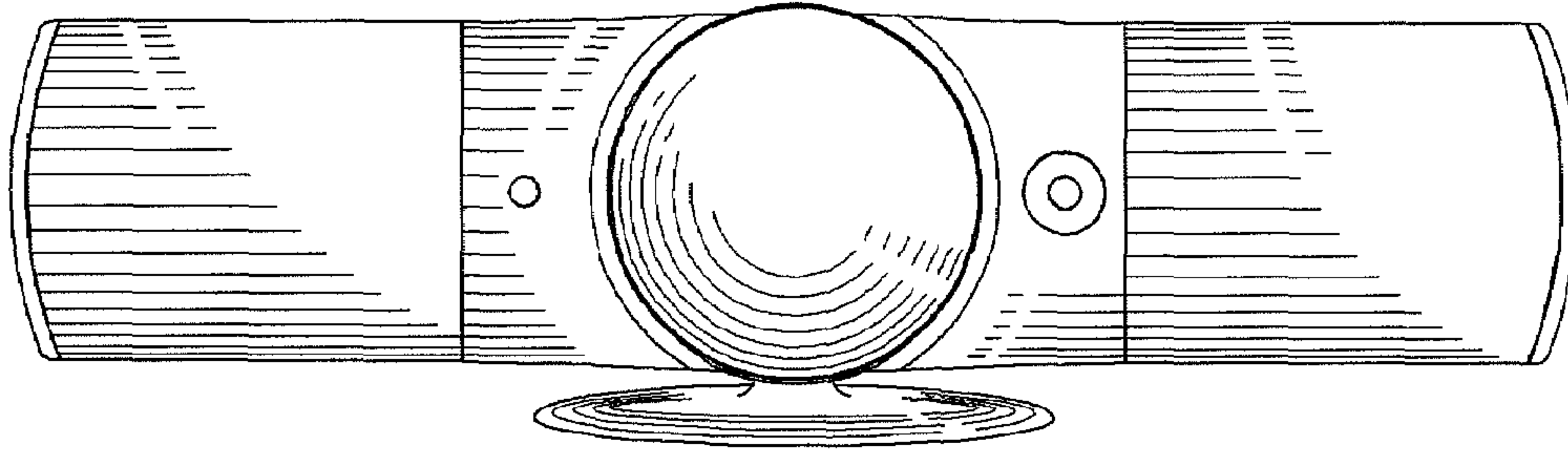


FIG. 3

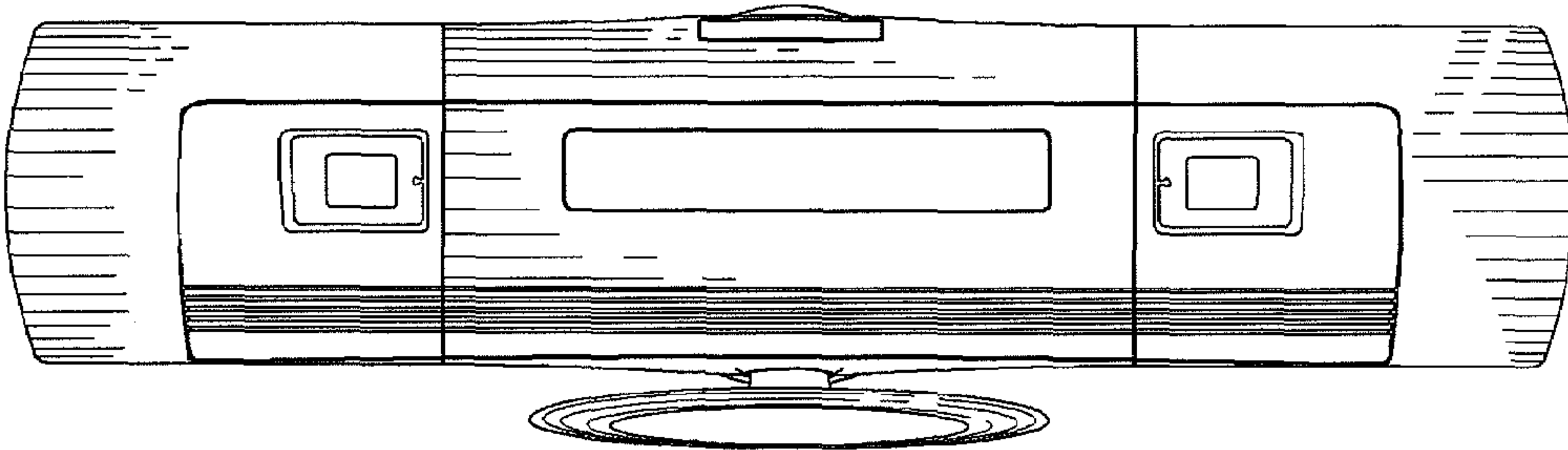


FIG. 4

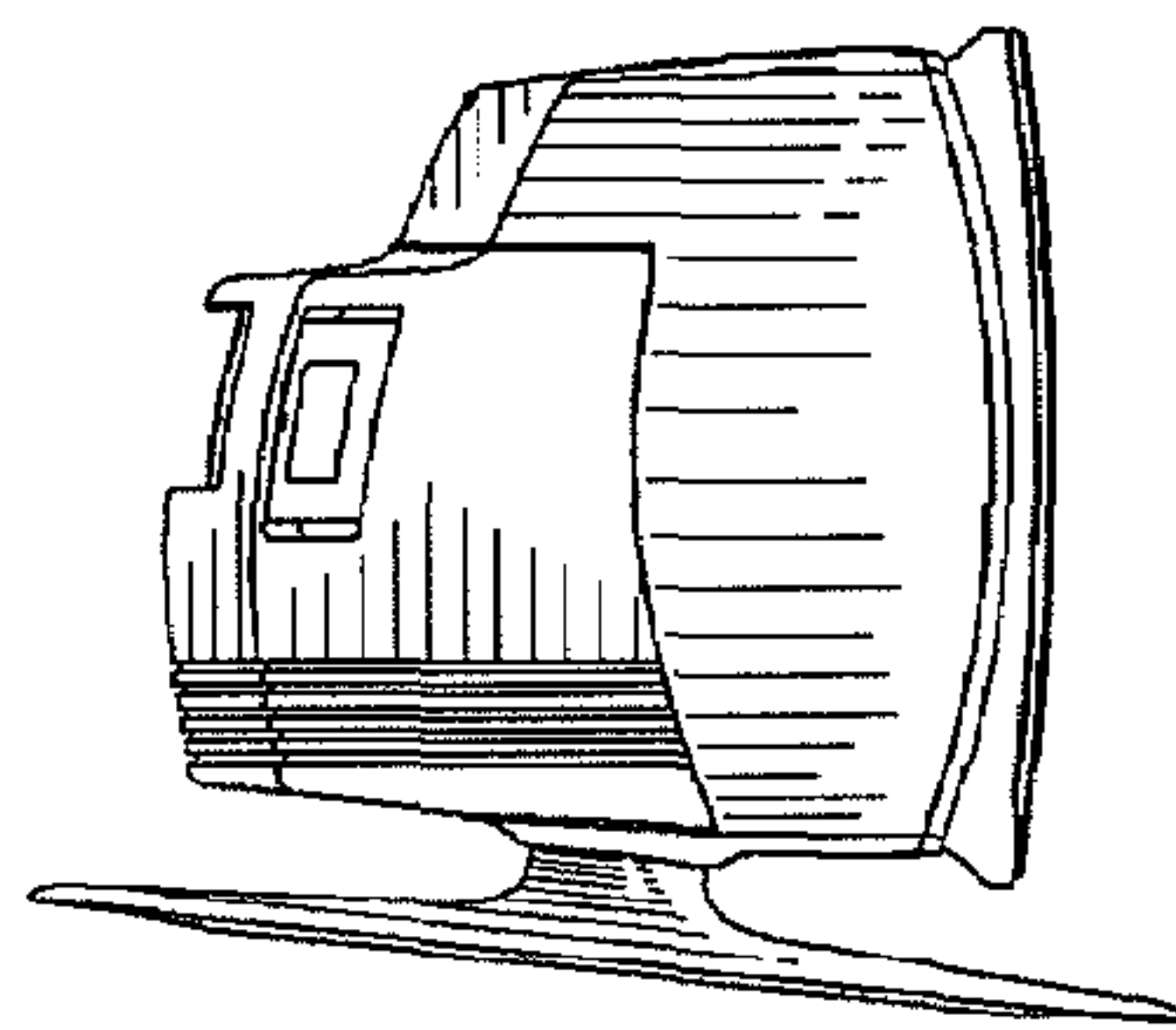


FIG. 5

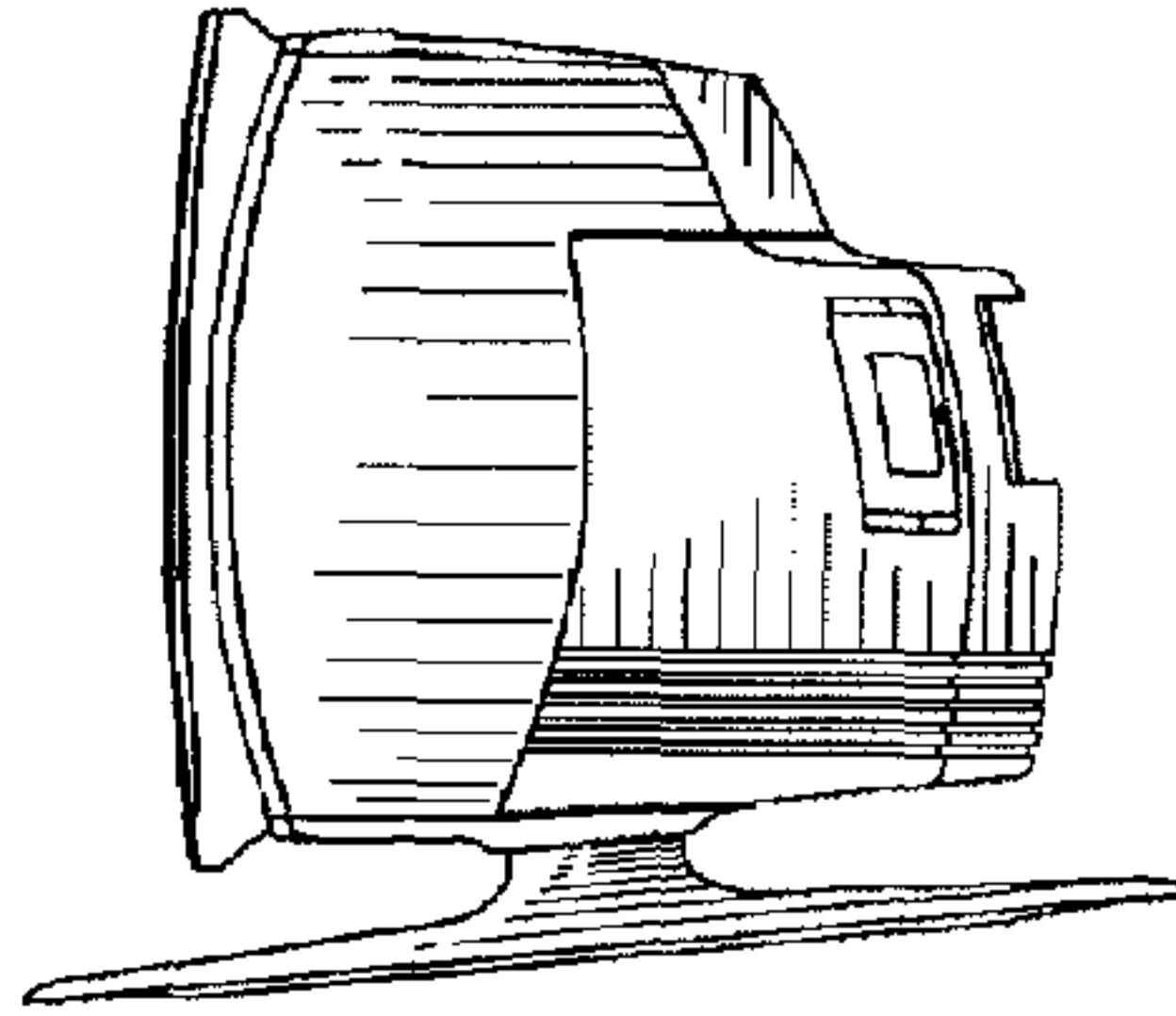


FIG. 6

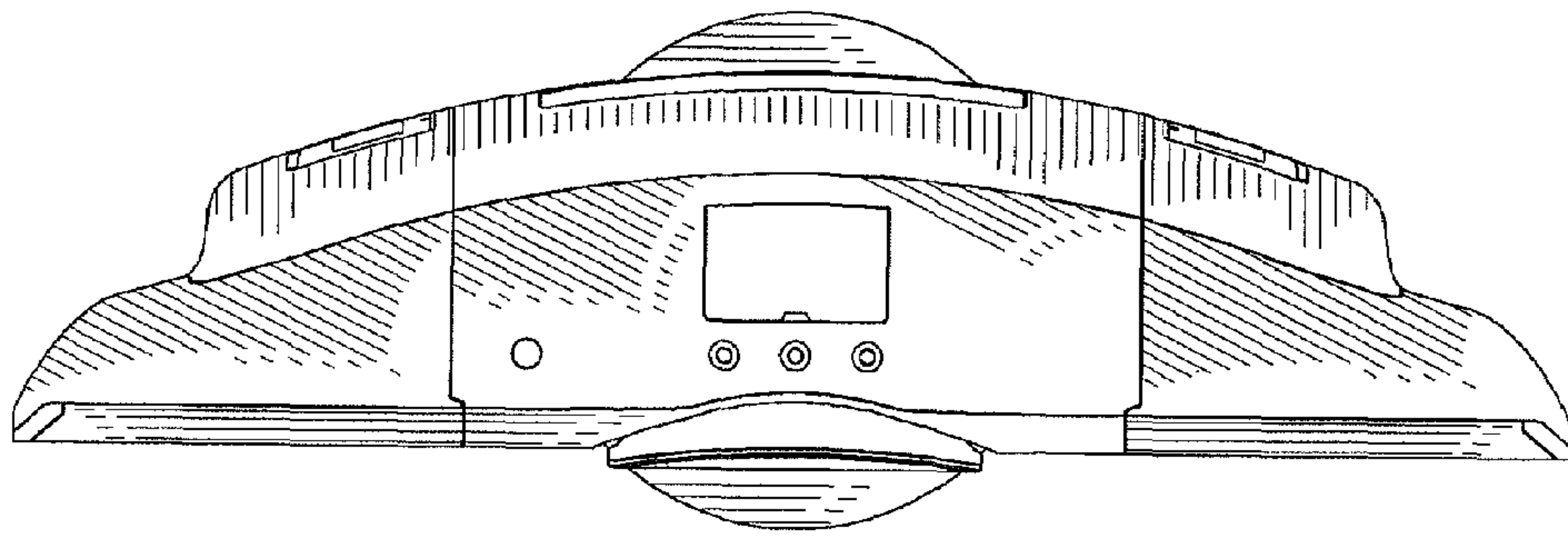


FIG. 7

