



US00D608760S

(12) **United States Design Patent**
Xie

(10) **Patent No.:** **US D608,760 S**
(45) **Date of Patent:** **** Jan. 26, 2010**

(54) **WIRELESS AMPLIFIER SYSTEM**

(74) *Attorney, Agent, or Firm*—Kenyon & Kenyon LLP

(75) Inventor: **Xiaoguang Xie**, Beijing (CN)

(57) **CLAIM**

(73) Assignee: **Beijing Edifier Technology Co., Ltd.**,
Beijing (CN)

The ornamental design for a wireless amplifier system, as shown and described.

(**) Term: **14 Years**

DESCRIPTION

(21) Appl. No.: **29/299,455**

A portion of the disclosure of this patent document contains material which may be protected by copyright. The copyright owner has no objection the facsimile reproduction by anyone of the patent document or the patent disclosure, as it appears in the Patent and Trademark Office patent file or records, but reserves all other copyright rights whatsoever.

(22) Filed: **Dec. 27, 2007**

(30) **Foreign Application Priority Data**

Nov. 27, 2007 (CN) 2007 3 0351558

FIG. 1 is a reference view of the wireless amplifier system, embodying my new design, shown with both components in use with speakers and a receiver;

(51) **LOC (9) Cl.** **14-03**

(52) **U.S. Cl.** **D14/188**

(58) **Field of Classification Search** D14/168,
D14/169, 179, 188, 194–198, 215, 217, 257,
D14/265, 299, 496; 330/1 R, 3, 4, 250; 381/86,
381/120; 455/344–351

FIG. 2 is a second reference view thereof, showing the two system components;

See application file for complete search history.

FIG. 3 is a front view of the first component thereof, shown separately for ease of illustration;

(56) **References Cited**

U.S. PATENT DOCUMENTS

4,756,382	A *	7/1988	Hudson, III	181/156
5,191,177	A *	3/1993	Chi	181/156
D392,640	S *	3/1998	Tully et al.	D14/188
D435,540	S *	12/2000	Peng	D14/216
D490,400	S *	5/2004	Geeng	D14/215
D513,747	S *	1/2006	Chin et al.	D14/216
D515,524	S *	2/2006	Kim et al.	D14/499
D544,463	S *	6/2007	Harris	D14/168
D553,121	S *	10/2007	Gondo et al.	D14/168
D570,821	S *	6/2008	Probst et al.	D14/188
D571,359	S *	6/2008	Chang	D14/216
D573,135	S *	7/2008	Laituri et al.	D14/168
D574,811	S *	8/2008	Zhang	D14/216
D594,845	S *	6/2009	Skurdal	D14/168

FIG. 4 is a rear view thereof;

FIG. 5 is a left side view thereof;

FIG. 6 is a right side view thereof;

FIG. 7 is a top plan view thereof;

FIG. 8 is a bottom plan view thereof;

FIG. 9 is a front view of the second component thereof, shown separately for ease of illustration;

FIG. 10 is a rear view thereof;

FIG. 11 is a left side view thereof;

FIG. 12 is a right side view thereof;

FIG. 13 is a top plan view thereof; and,

FIG. 14 is a bottom plan view thereof.

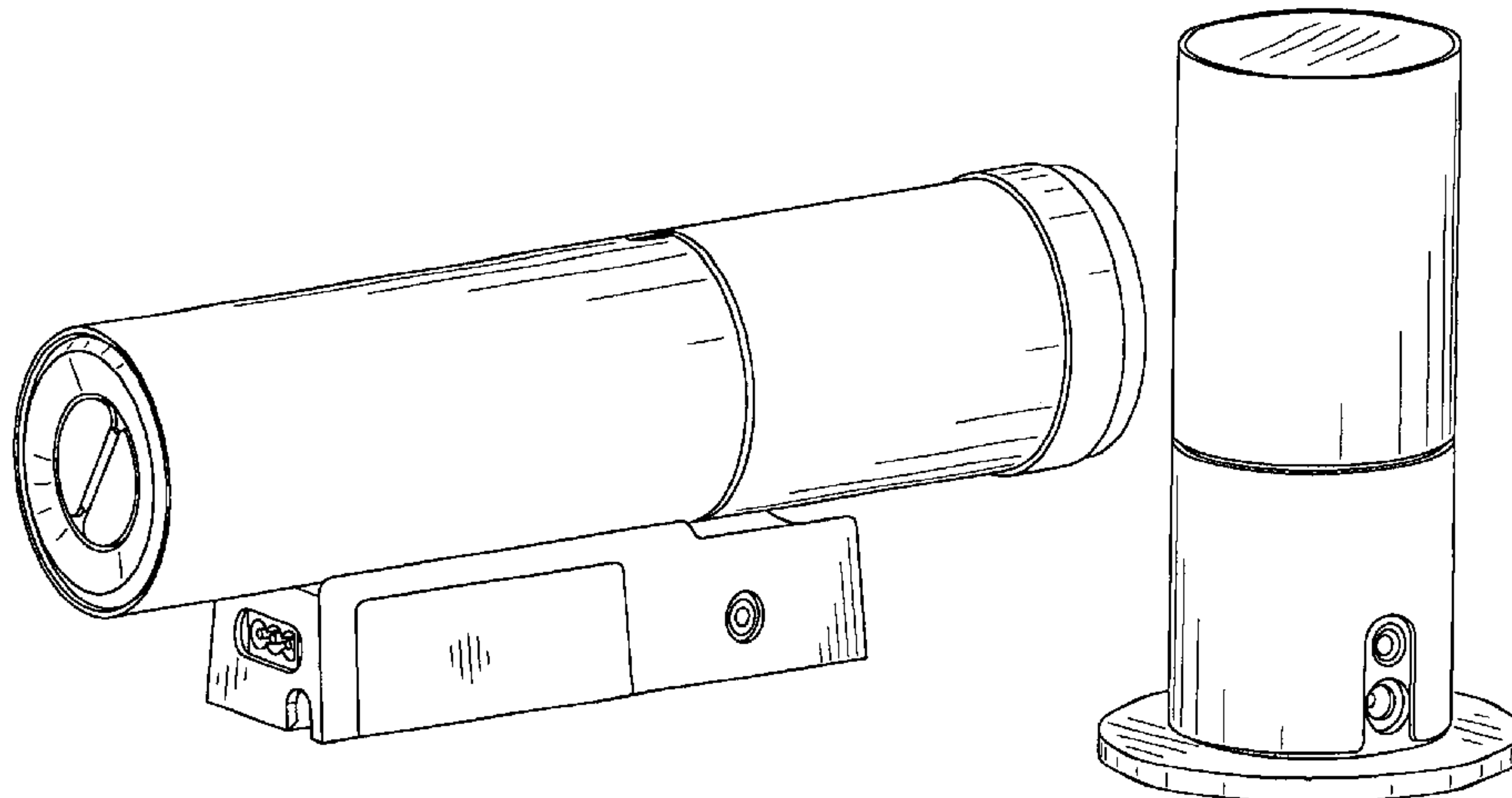
The broken line showing of the cords, receiver and speakers is included for the purpose of illustrating environmental structure and forms no part of the claim.

* cited by examiner

Primary Examiner—Stella M Reid

Assistant Examiner—Keli L Hill

1 Claim, 7 Drawing Sheets



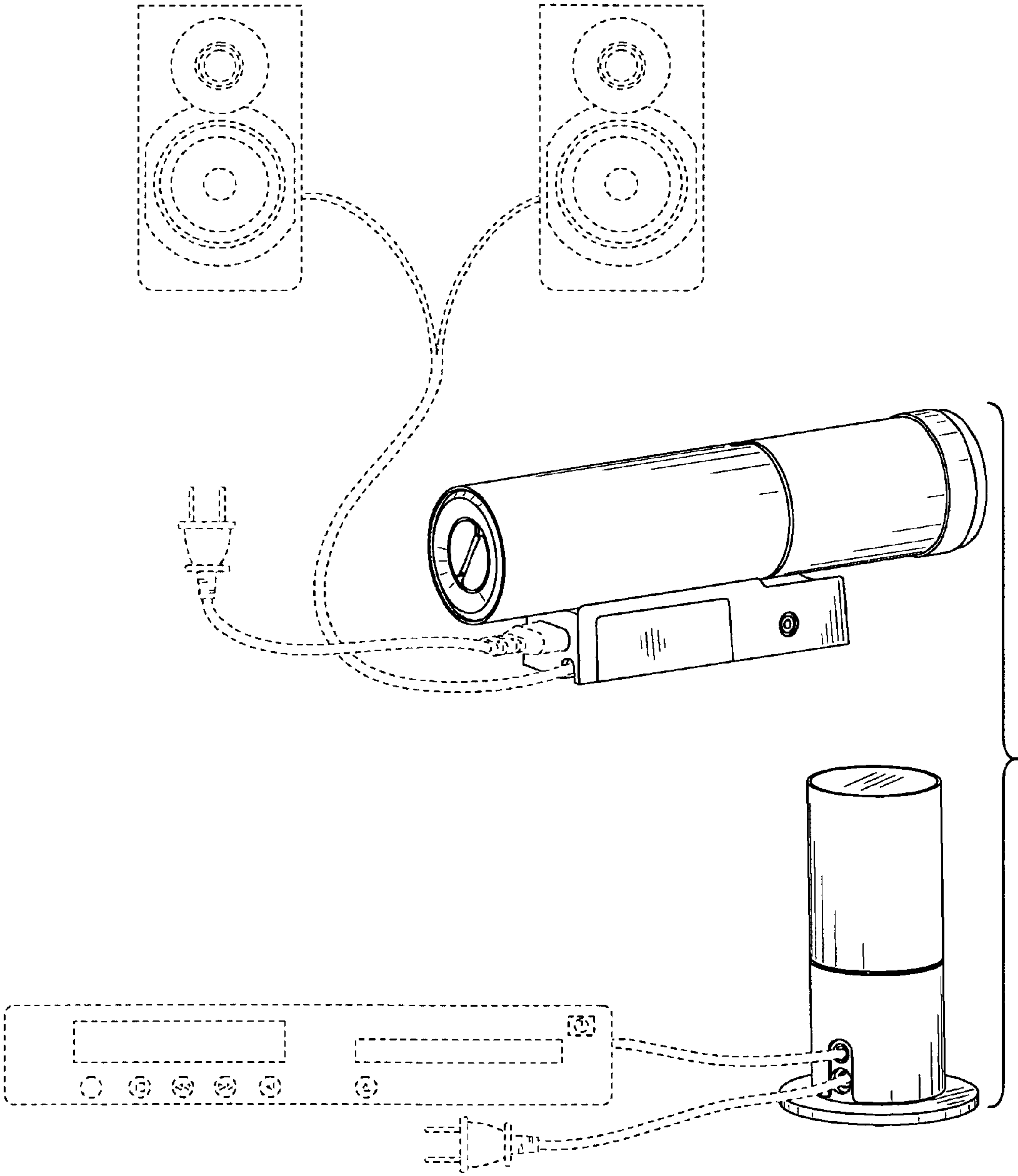


FIG. 1

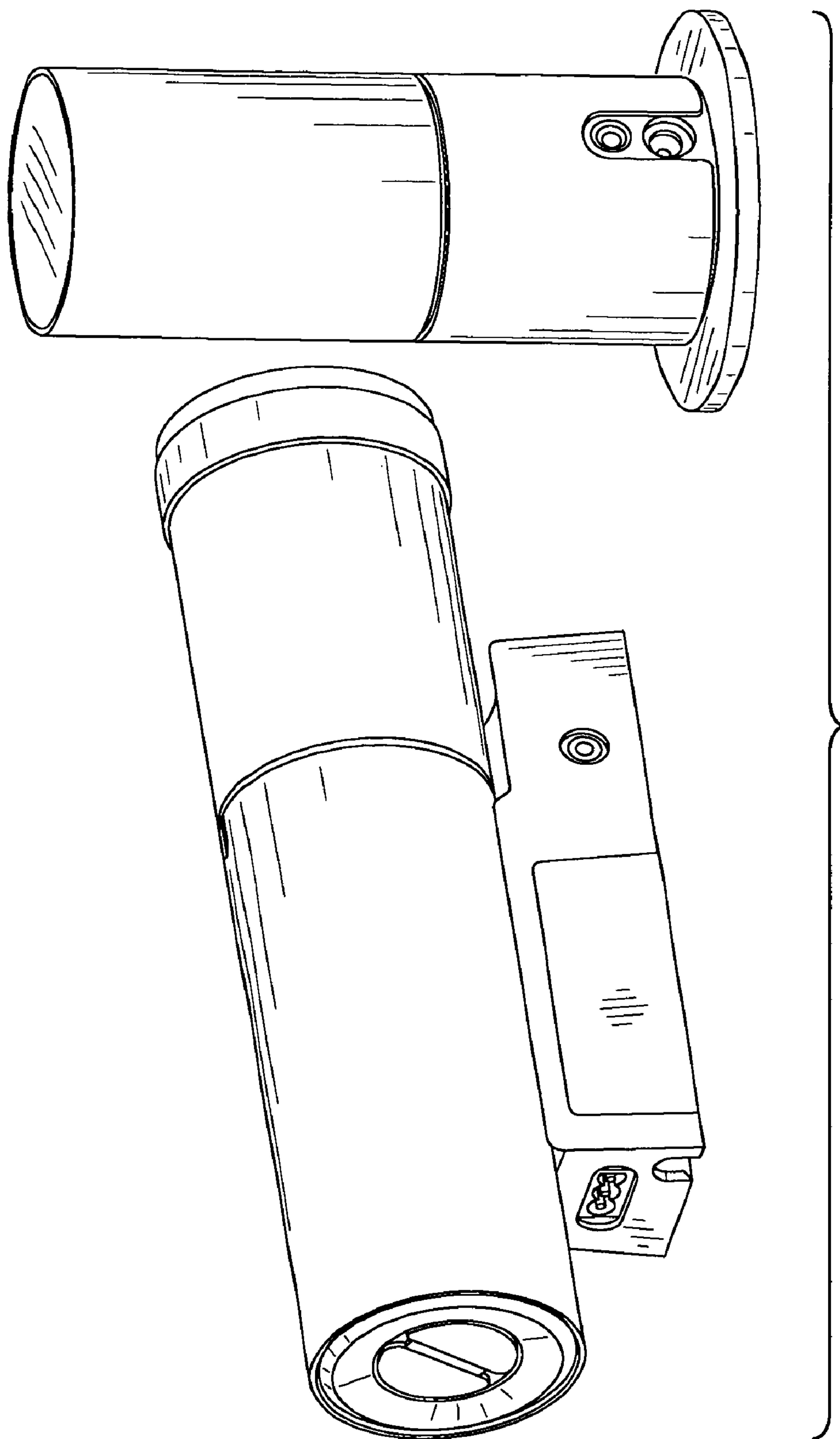


FIG. 2

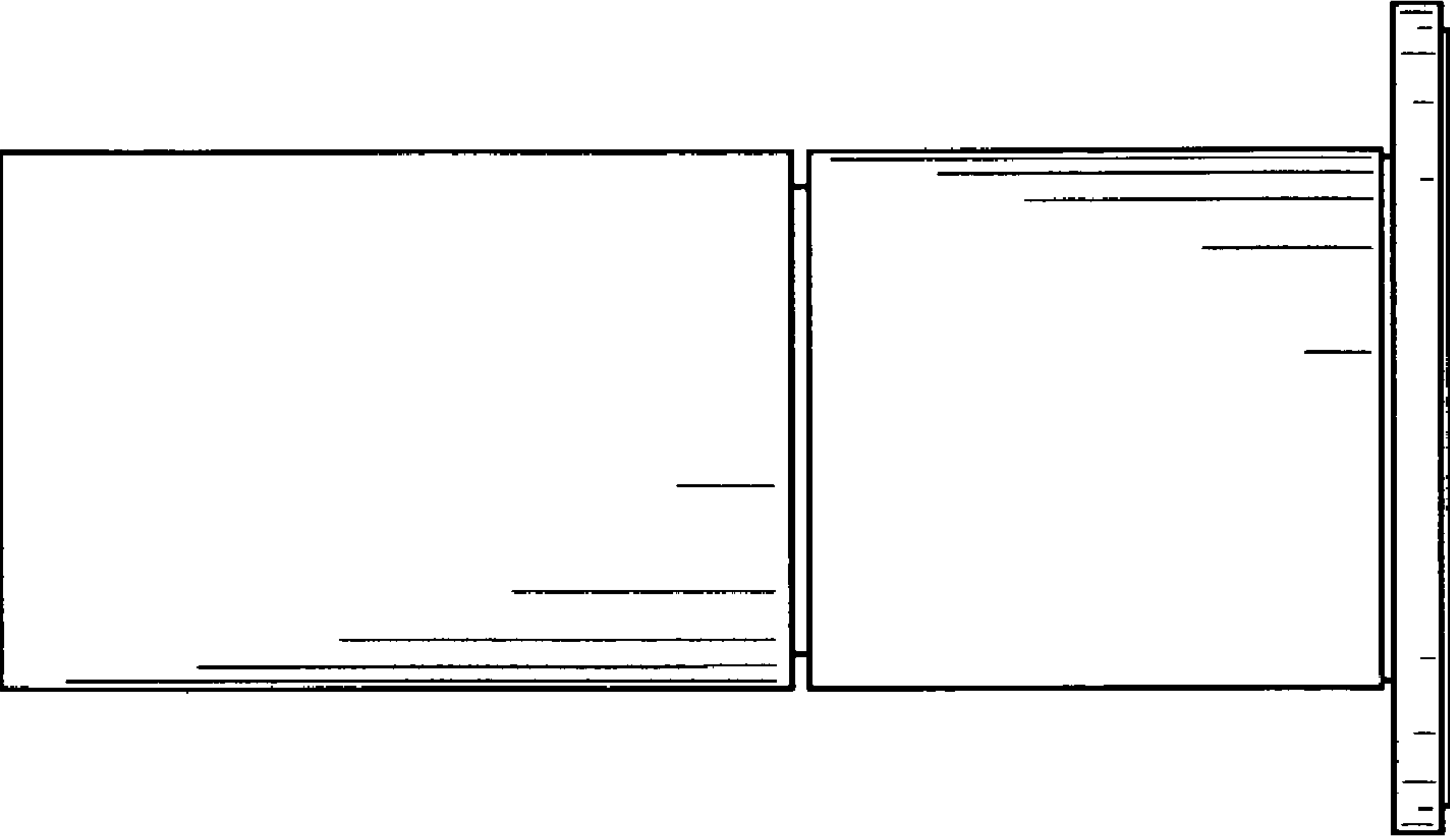


FIG. 4

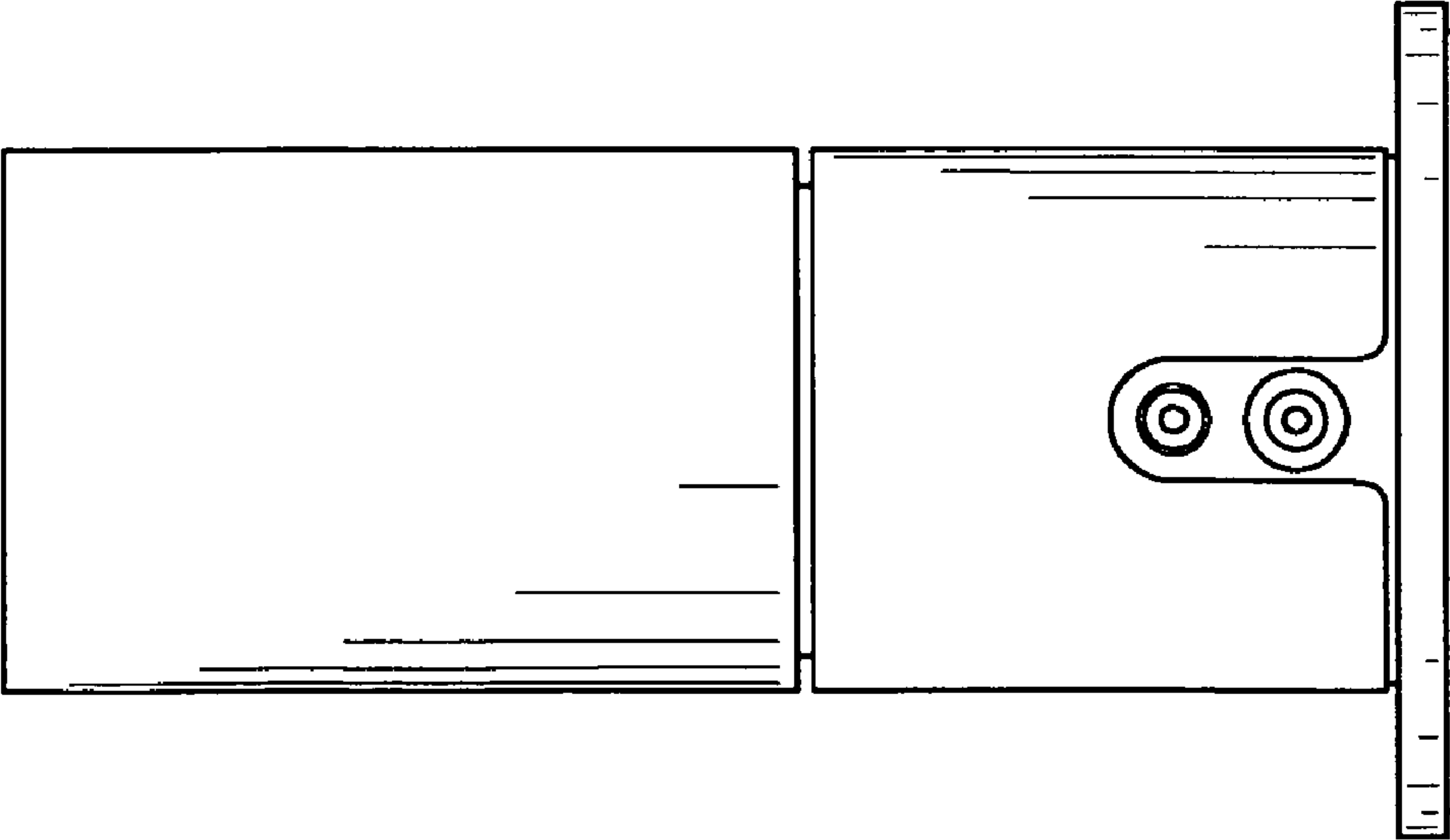


FIG. 3

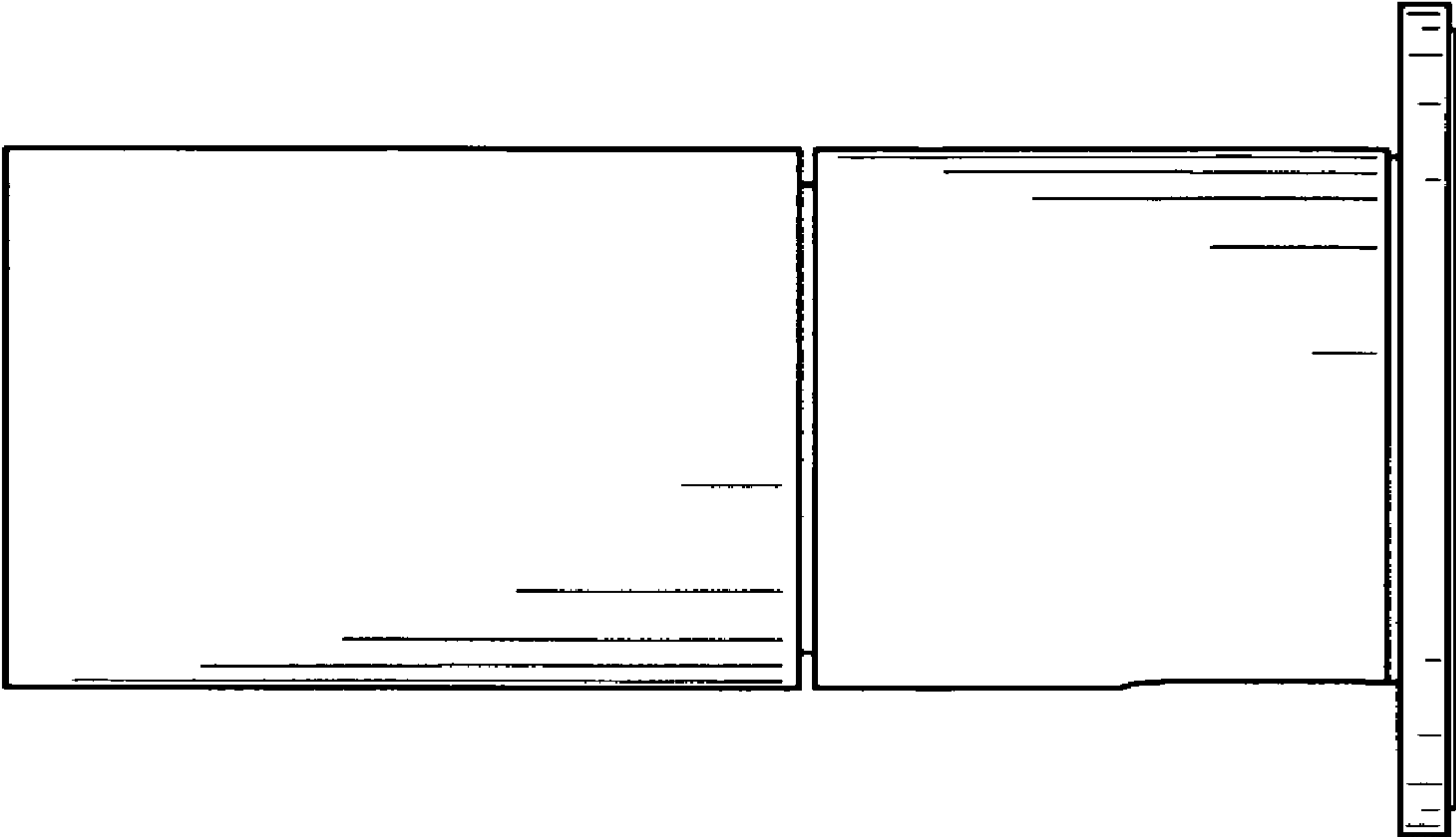


FIG. 6

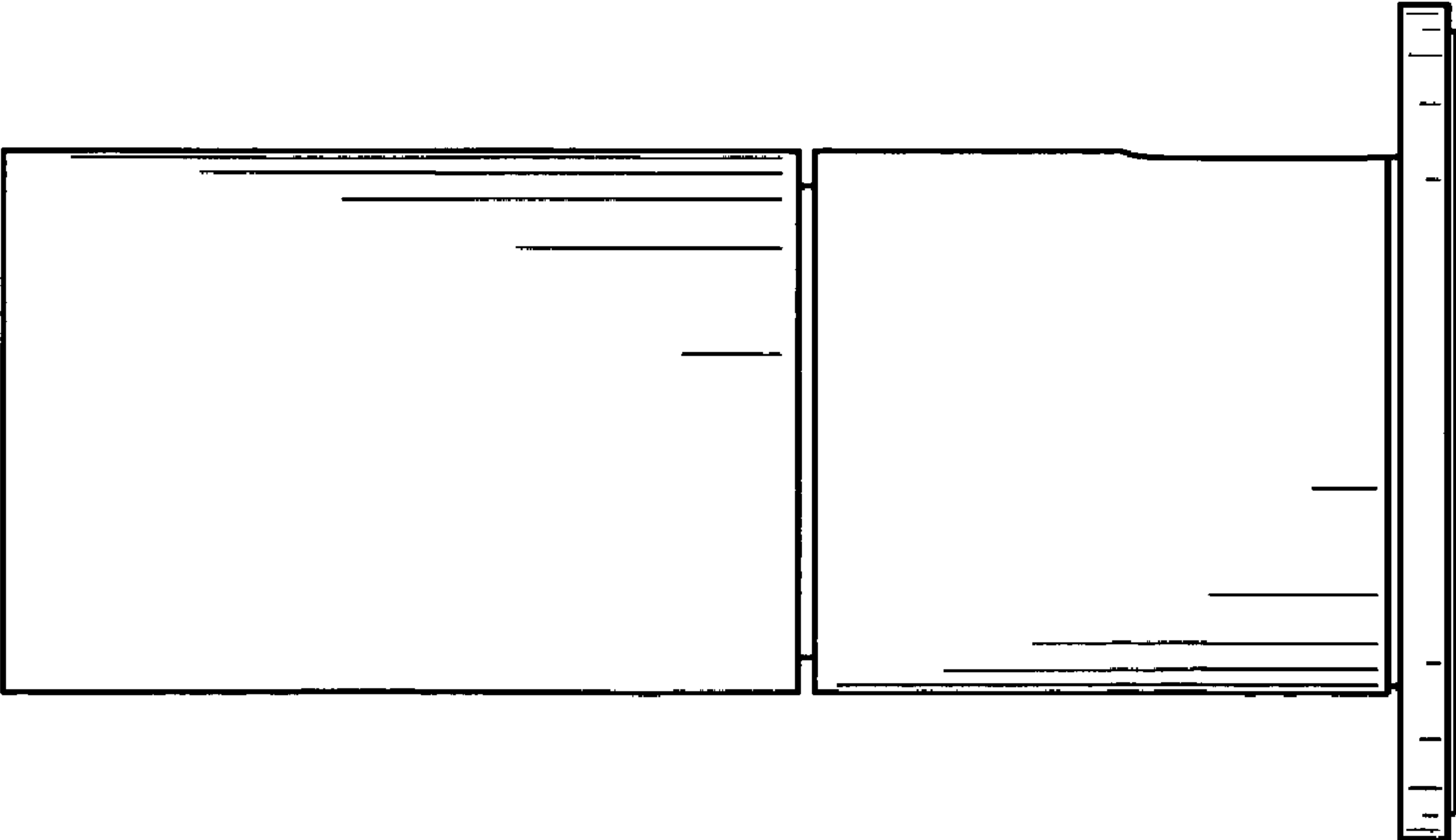


FIG. 5

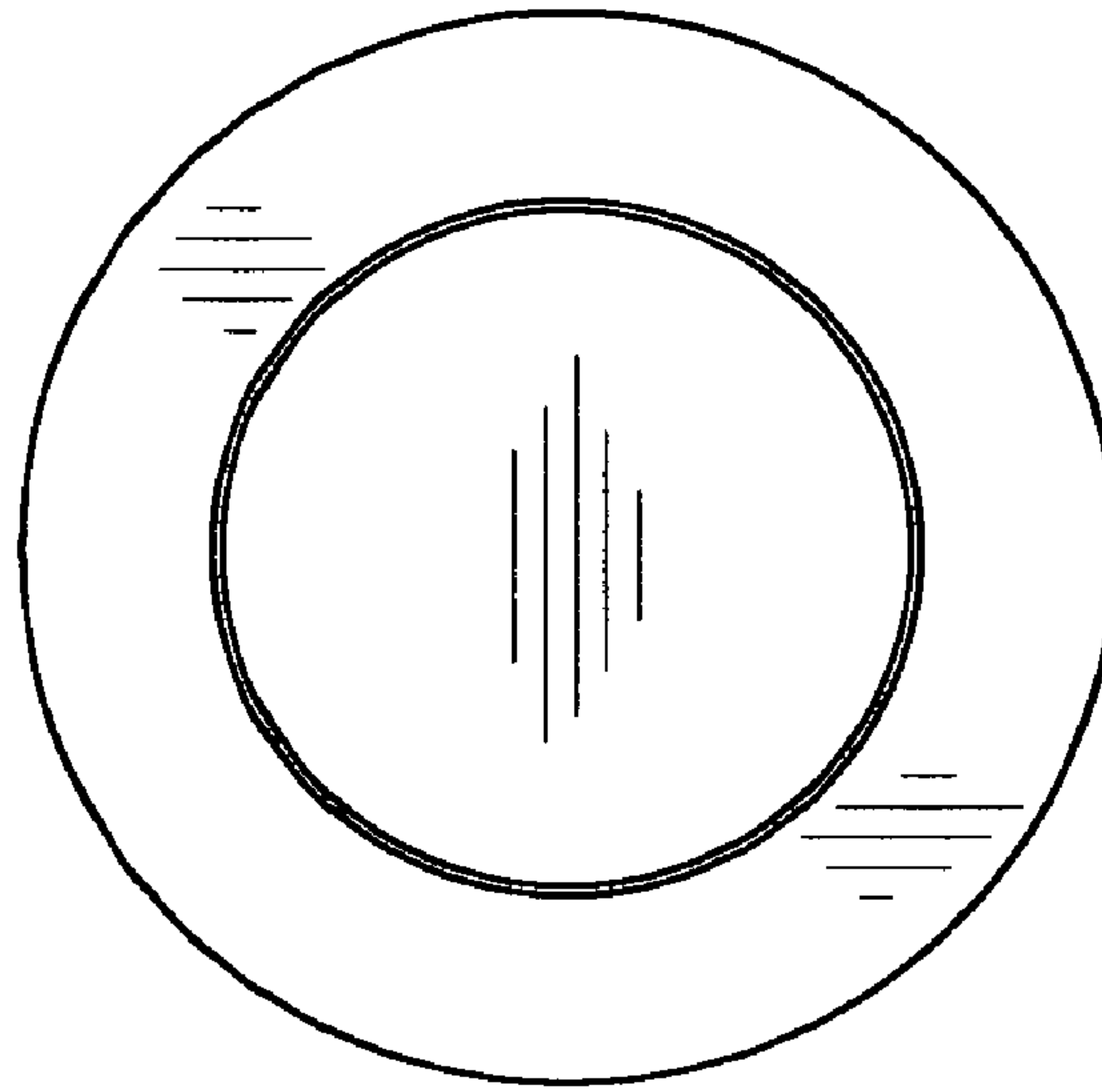


FIG. 7

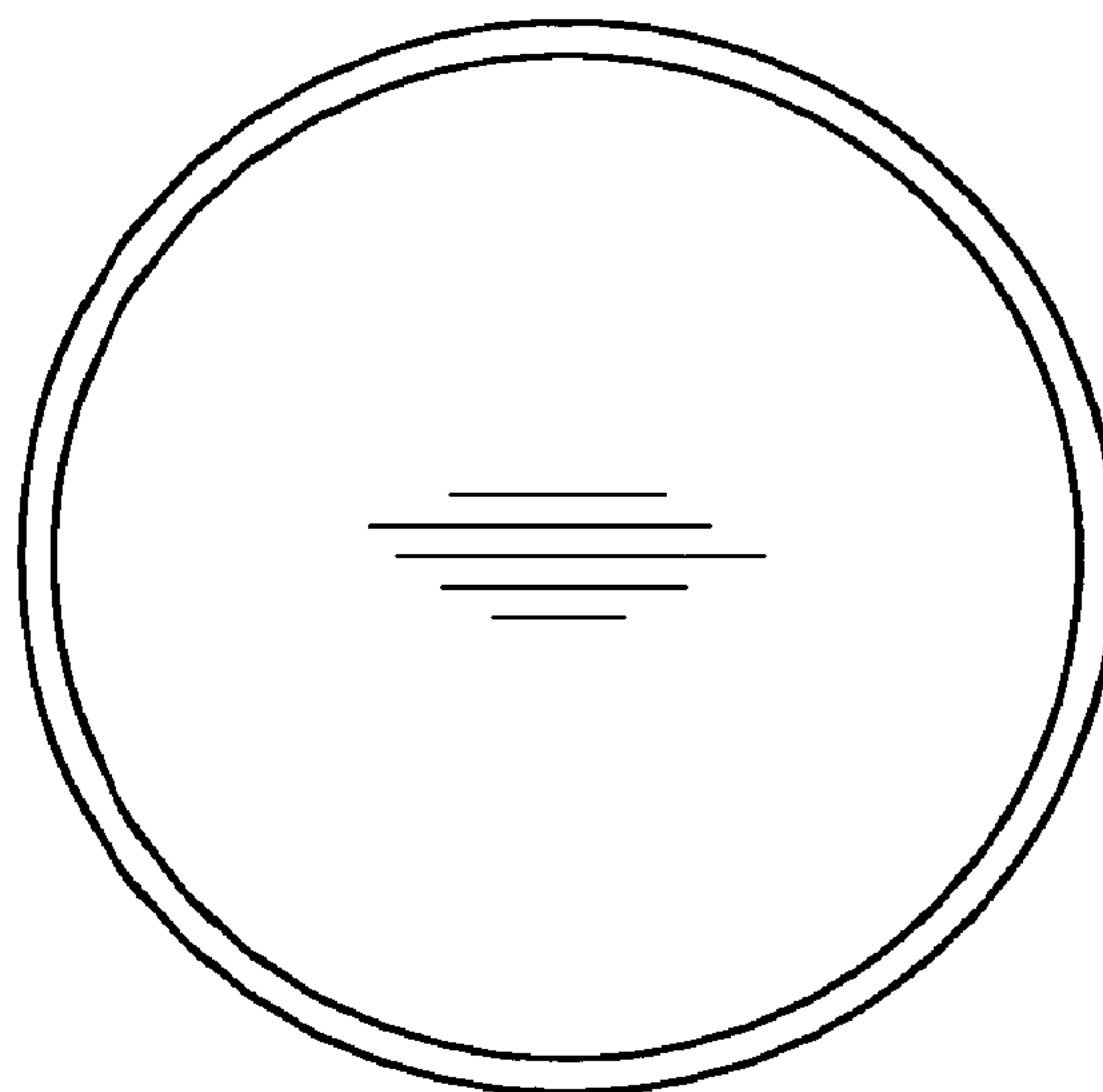


FIG. 8

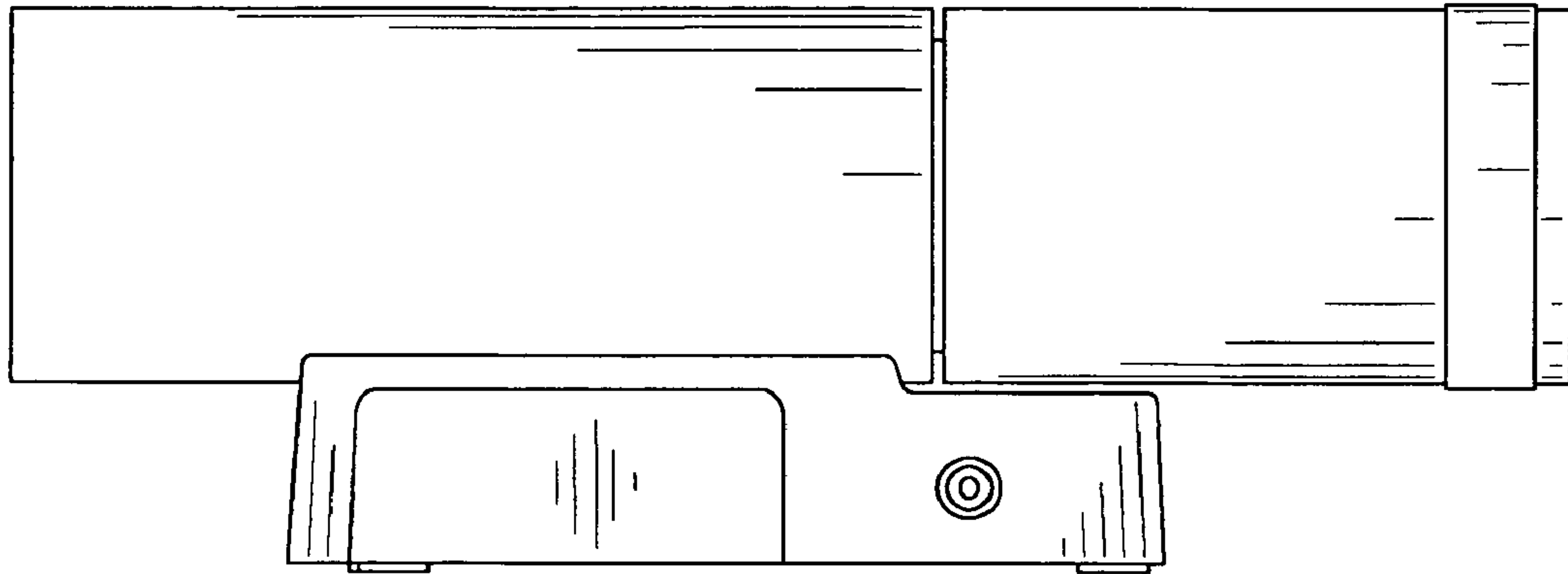


FIG. 9

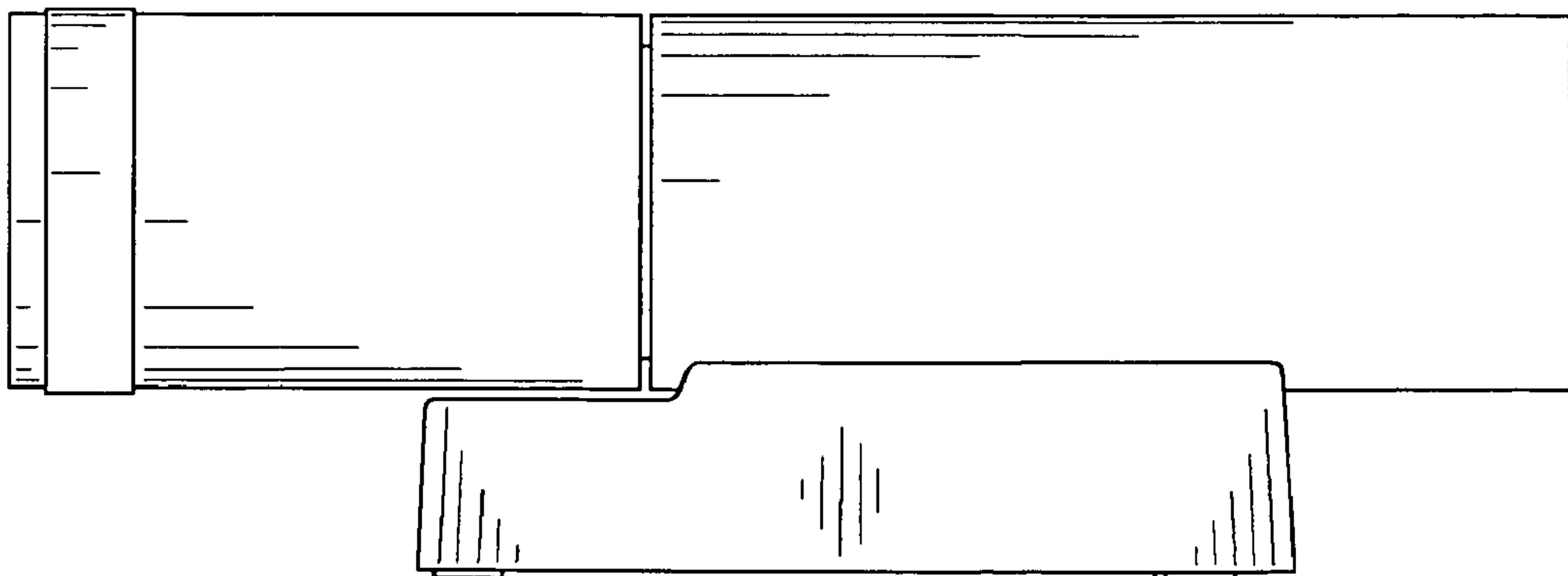


FIG. 10

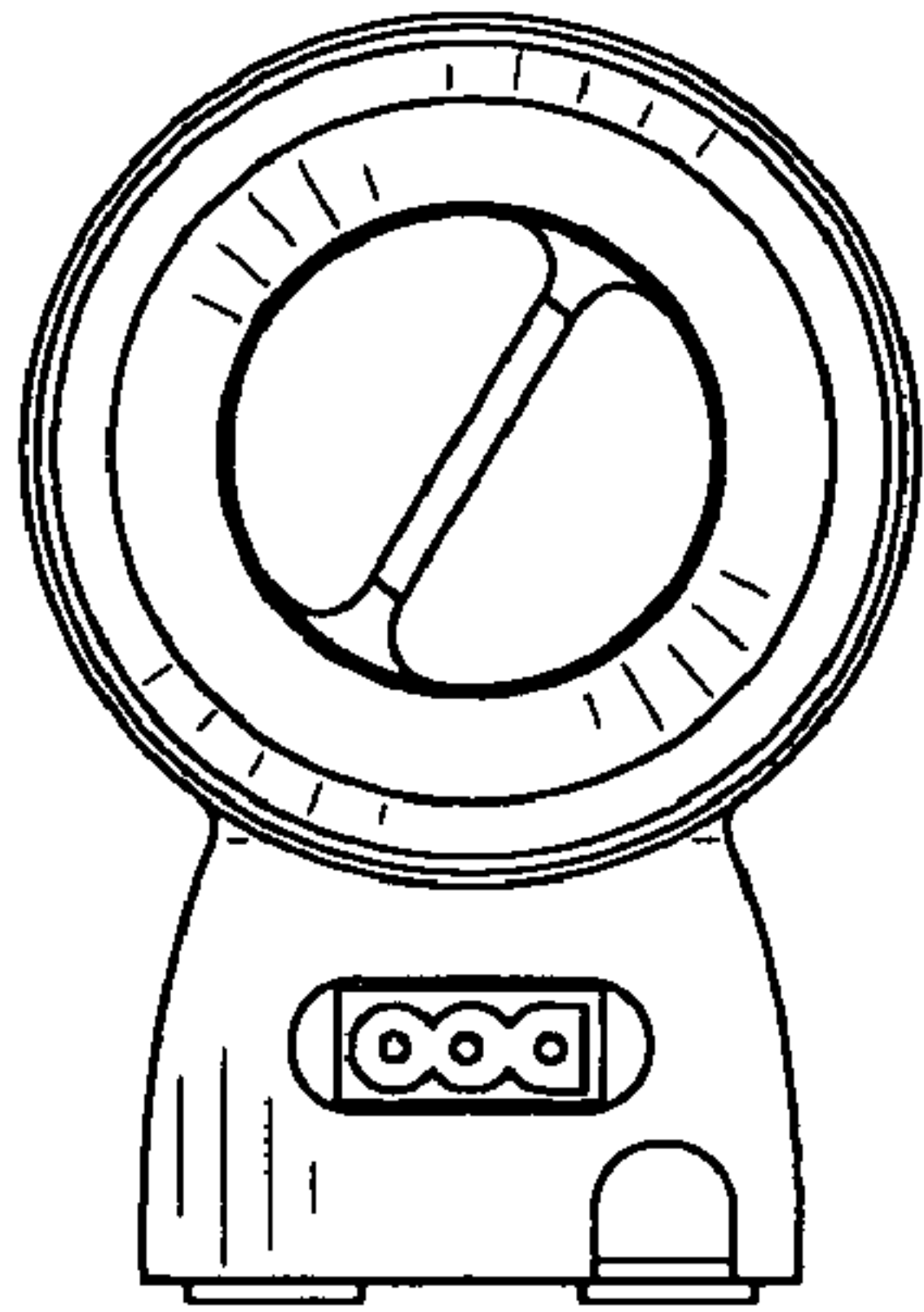


FIG. 11

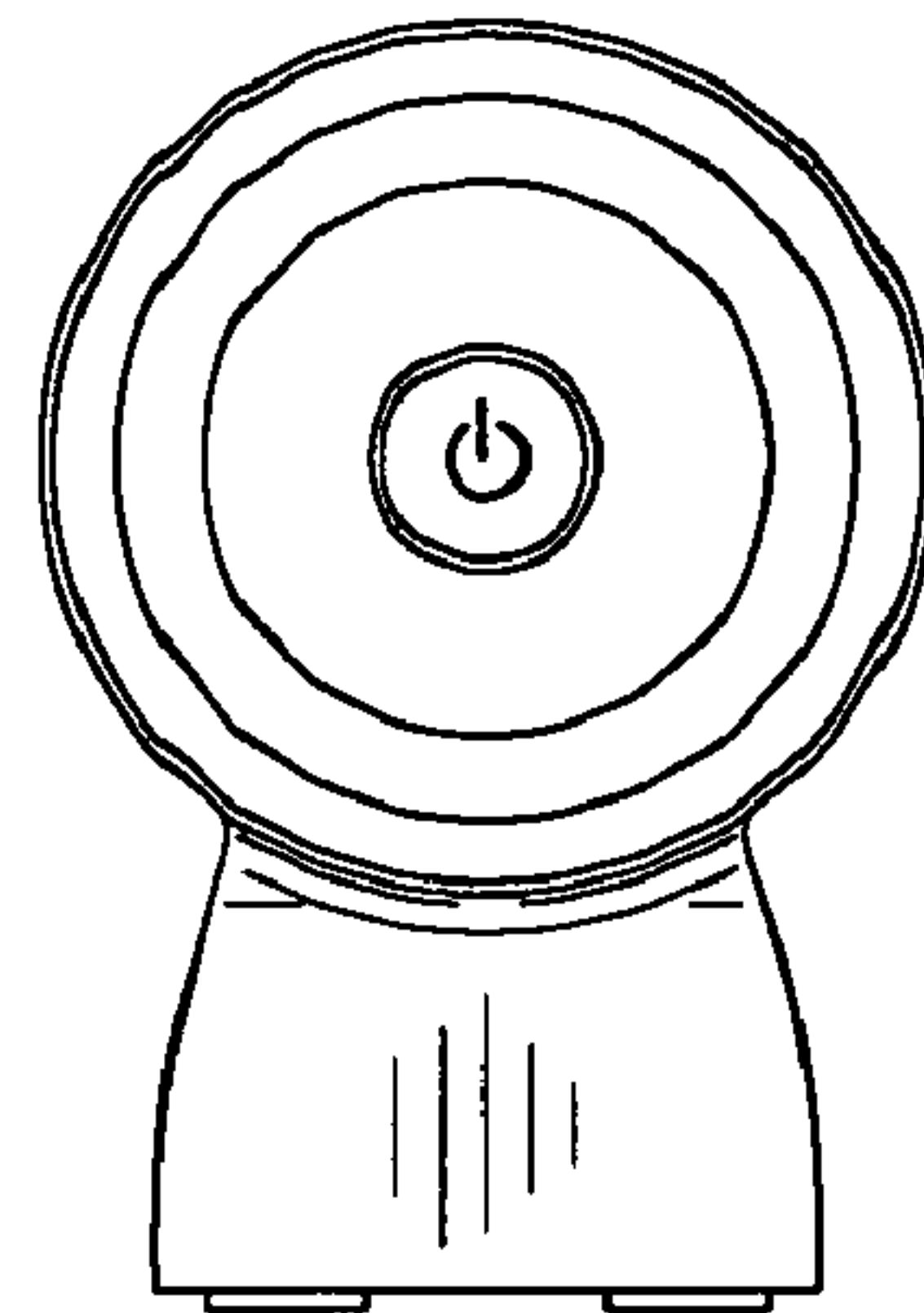


FIG. 12

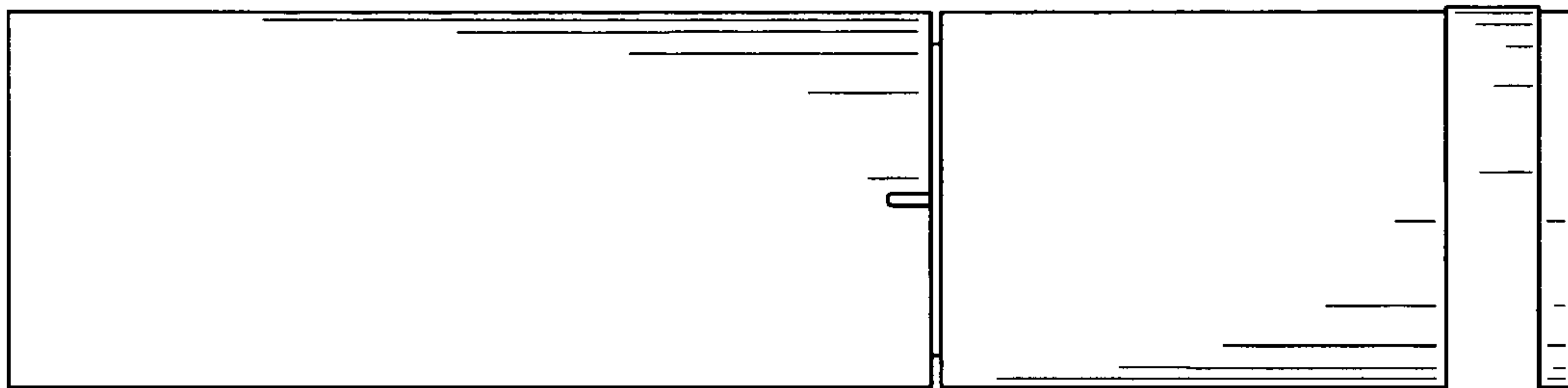


FIG. 13

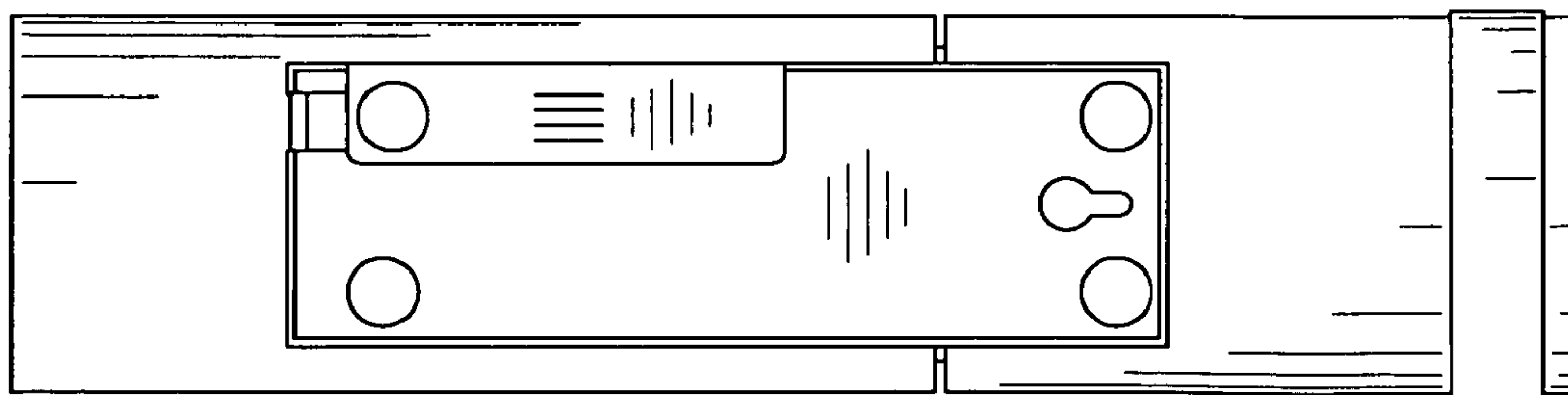


FIG. 14