



US00D608759S

(12) **United States Design Patent**  
**Chun et al.**

(10) **Patent No.:** **US D608,759 S**  
(45) **Date of Patent:** **\*\* Jan. 26, 2010**

(54) **KEYPHONE TELEPHONE**

D576,998 S \* 9/2008 Furuno ..... D14/151  
D582,886 S 12/2008 Woo et al.

(75) Inventors: **Bum-Ho Chun**, Seoul (KR); **Tai-Hyung Ju**, Seoul (KR)

FOREIGN PATENT DOCUMENTS

(73) Assignee: **Samsung Electronics Co., Ltd.**, Suwon, Kyunggi-do (KR)

WO DM/052270 \* 6/2000

(\*\*) Term: **14 Years**

OTHER PUBLICATIONS

(21) Appl. No.: **29/314,648**

Avaya MLS 18D Phone, <URL:http://www.comtechphones.com/10-1-33-218/Avaya-Partner/Phones/Partner-ACS-Phones/Avaya-MLS-18D-Phone.html>, retrieved from internet Sep. 7, 2009.\*

(22) Filed: **Apr. 15, 2009**

Vodavi SP61614-44 Display Phone, <URL:http://www.businessphonesdirect.com/vodavi-78/business-phones-148/vodavi-sp61614-44-display-phone-ash-556.html>, retrieved from internet Sep. 7, 2009.\*

(51) **LOC (9) Cl.** ..... **14-03**

U.S. Appl. No. 29/308,568, Applicant: Tai-Hyung Ju et al., filed Jun. 24, 2008, entitled Main Apparatus of Key-Phone.

(52) **U.S. Cl.** ..... **D14/151**

(58) **Field of Classification Search** ..... D14/130,  
D14/137, 140, 140.1, 140.8, 141.1, 141.3,  
D14/142, 149-151, 158-159, 168, 171-172,  
D14/188, 211, 214, 225-226, 240, 243, 251,  
D14/253, 299, 336, 215, 167, 210, 212, 509,  
D14/140.4, 140.5, 140.6, 242, 140.2; 379/387.01,  
379/388.02, 420.02, 447, 453, 434; 381/16;  
D13/107-108, 168; 455/351

\* cited by examiner

*Primary Examiner*—Ian Simmons

*Assistant Examiner*—Carla Jobe Wright

(74) *Attorney, Agent, or Firm*—Flynn, Thiel, Boutell & Tanis, P.C.

See application file for complete search history.

(57) **CLAIM**

The ornamental design for a keyphone telephone, as shown and described.

(56) **References Cited**

U.S. PATENT DOCUMENTS

D285,072 S \* 8/1986 Hill et al. .... D14/151  
D319,235 S \* 8/1991 Sato ..... D14/151  
D319,826 S \* 9/1991 Hung ..... D14/142  
D328,295 S \* 7/1992 Gagnon et al. .... D14/142  
D332,263 S \* 1/1993 Taniguchi ..... D14/151  
D332,786 S \* 1/1993 Gagnon ..... D14/142  
D354,057 S \* 1/1995 Allen ..... D14/151  
D375,093 S \* 10/1996 Babbitt et al. .... D14/151  
5,577,118 A \* 11/1996 Sasaki et al. .... 379/428.03  
D405,447 S \* 2/1999 Landry et al. .... D14/151  
D431,540 S \* 10/2000 Morisue et al. .... D14/151  
D550,195 S 9/2007 Ju  
D550,644 S 9/2007 Cho et al.  
D552,071 S 10/2007 Park et al.  
D552,588 S 10/2007 Park et al.  
D572,701 S \* 7/2008 Tani ..... D14/151

**DESCRIPTION**

FIG. 1 is a top front perspective view of a keyphone telephone showing our new design;

FIG. 2 is a front elevational view thereof;

FIG. 3 is a rear elevational view thereof;

FIG. 4 is a left side elevational view thereof;

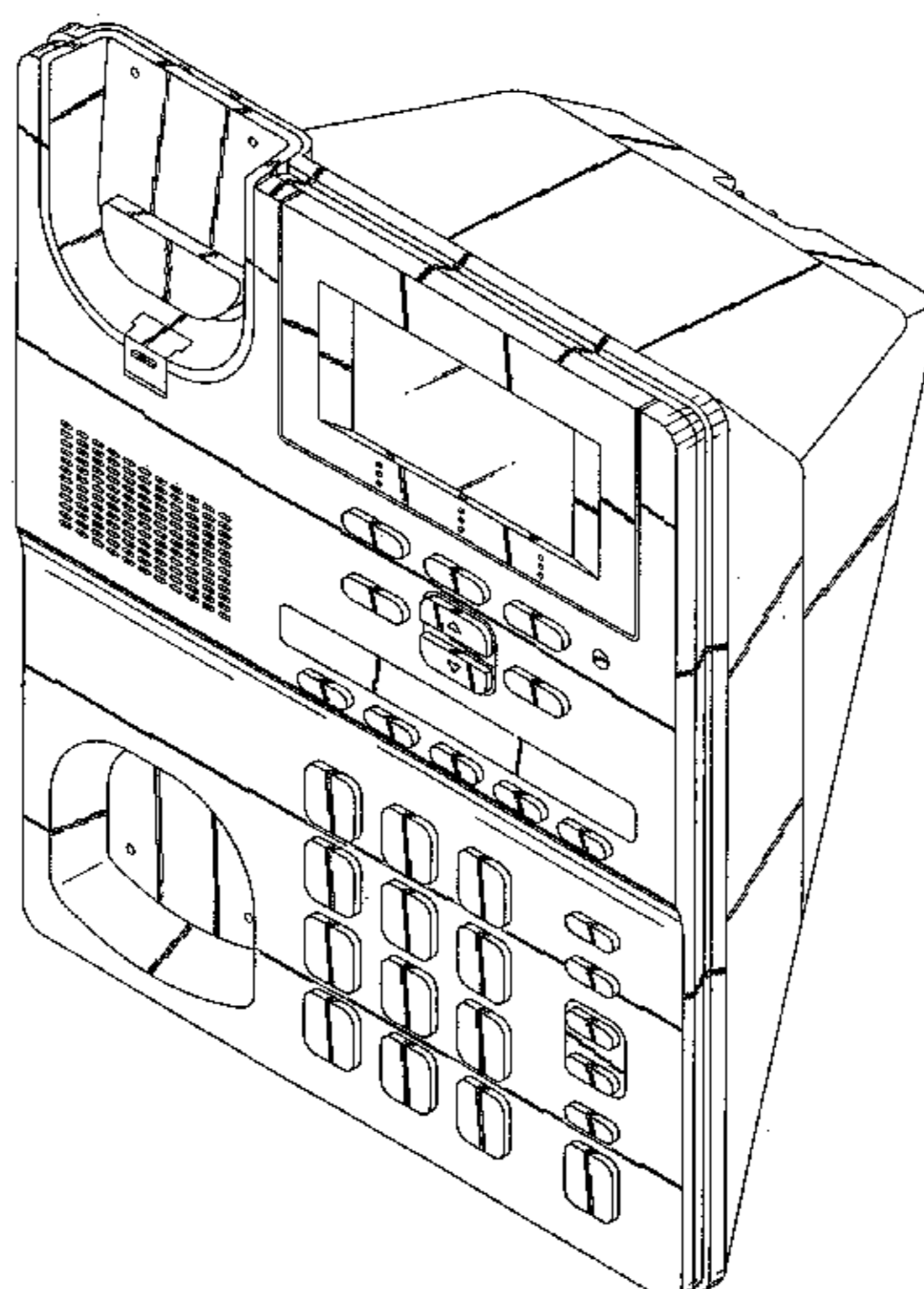
FIG. 5 is a right side elevational view thereof;

FIG. 6 is a top plan view thereof; and,

FIG. 7 is a bottom plan view thereof.

The broken line showing of environmental structures on the rear of the keyphone telephone in FIG. 3 is for illustrative purposes only and forms no part of the claimed design.

**1 Claim, 7 Drawing Sheets**



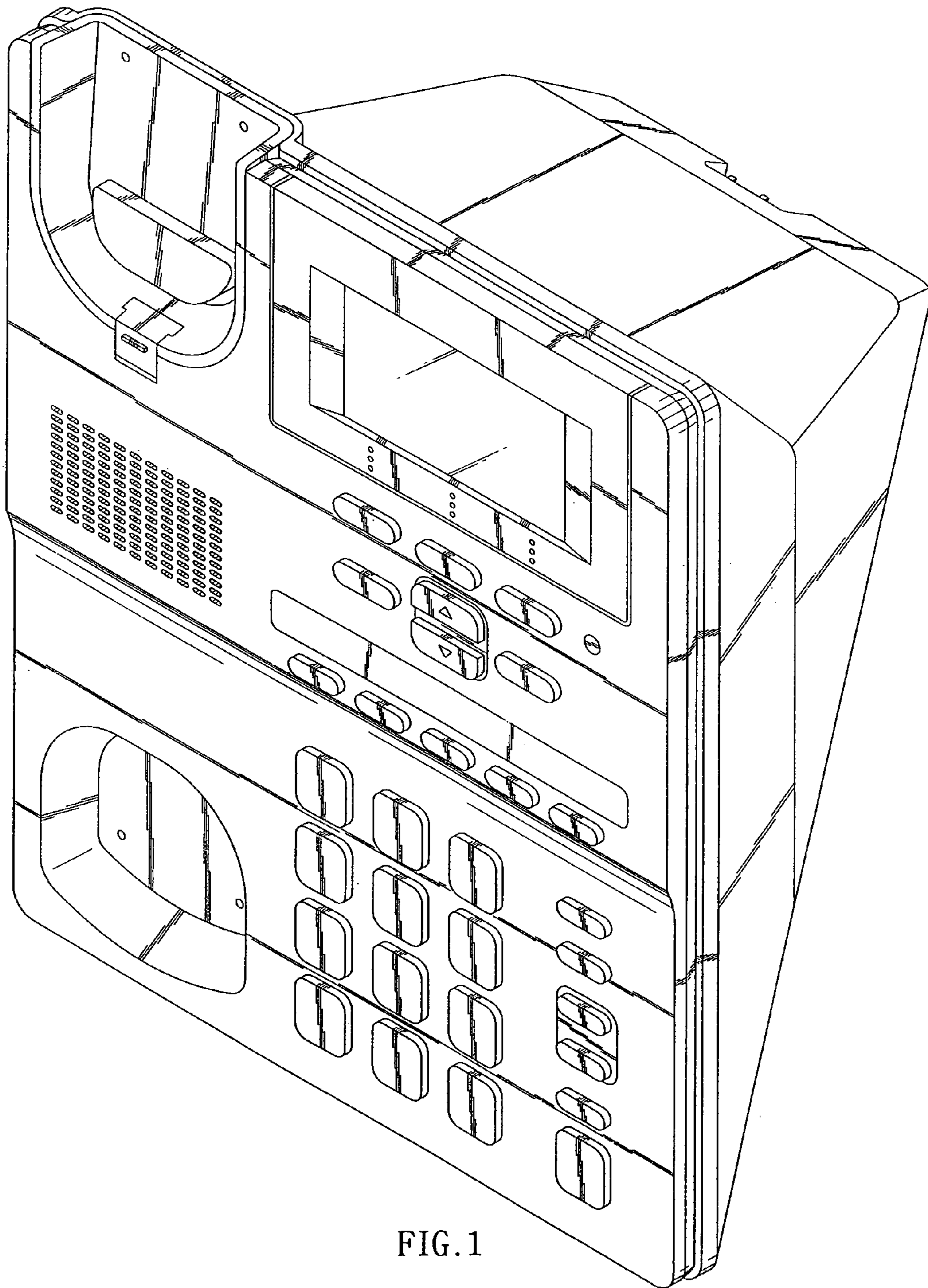


FIG. 1

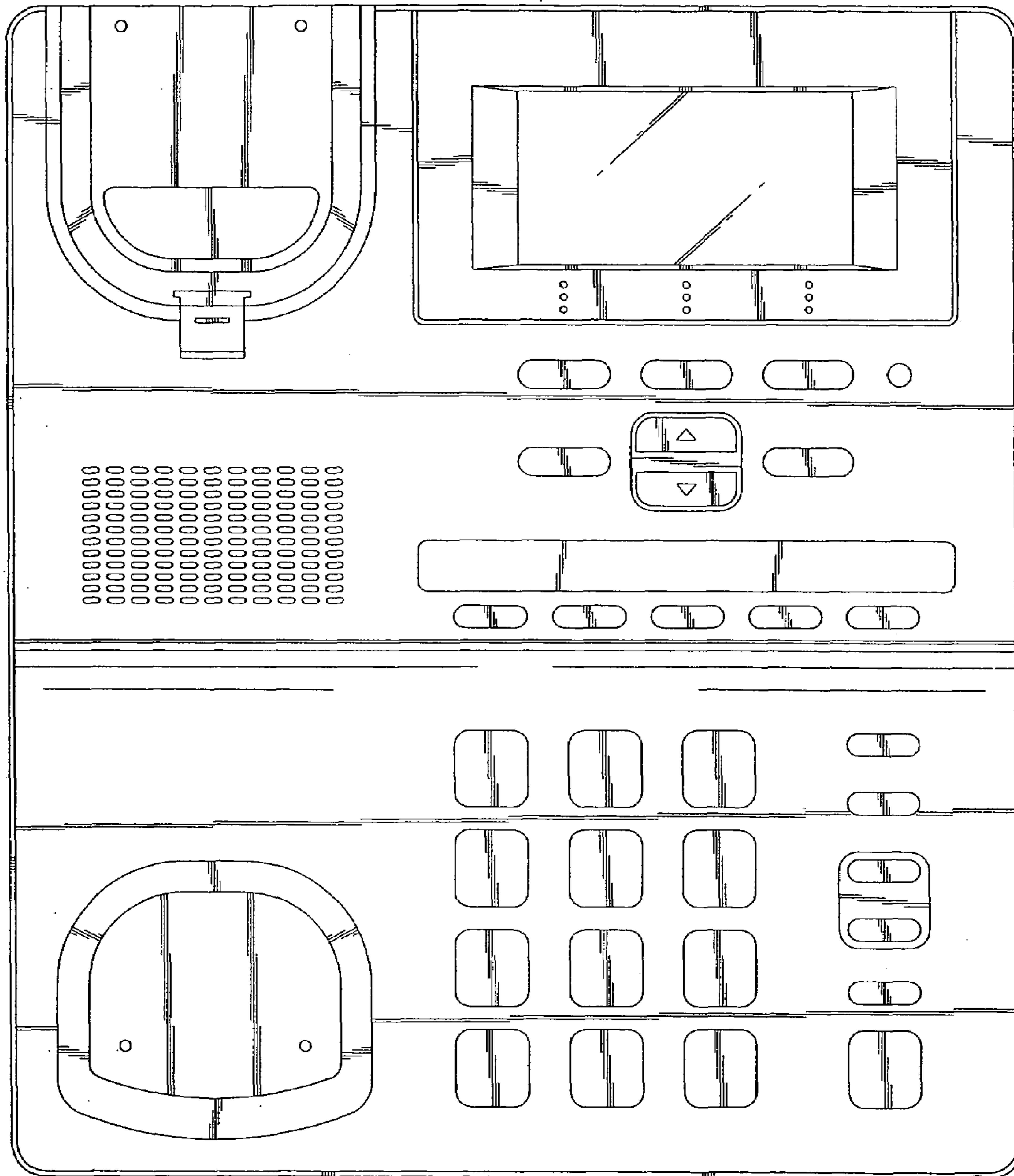


FIG. 2

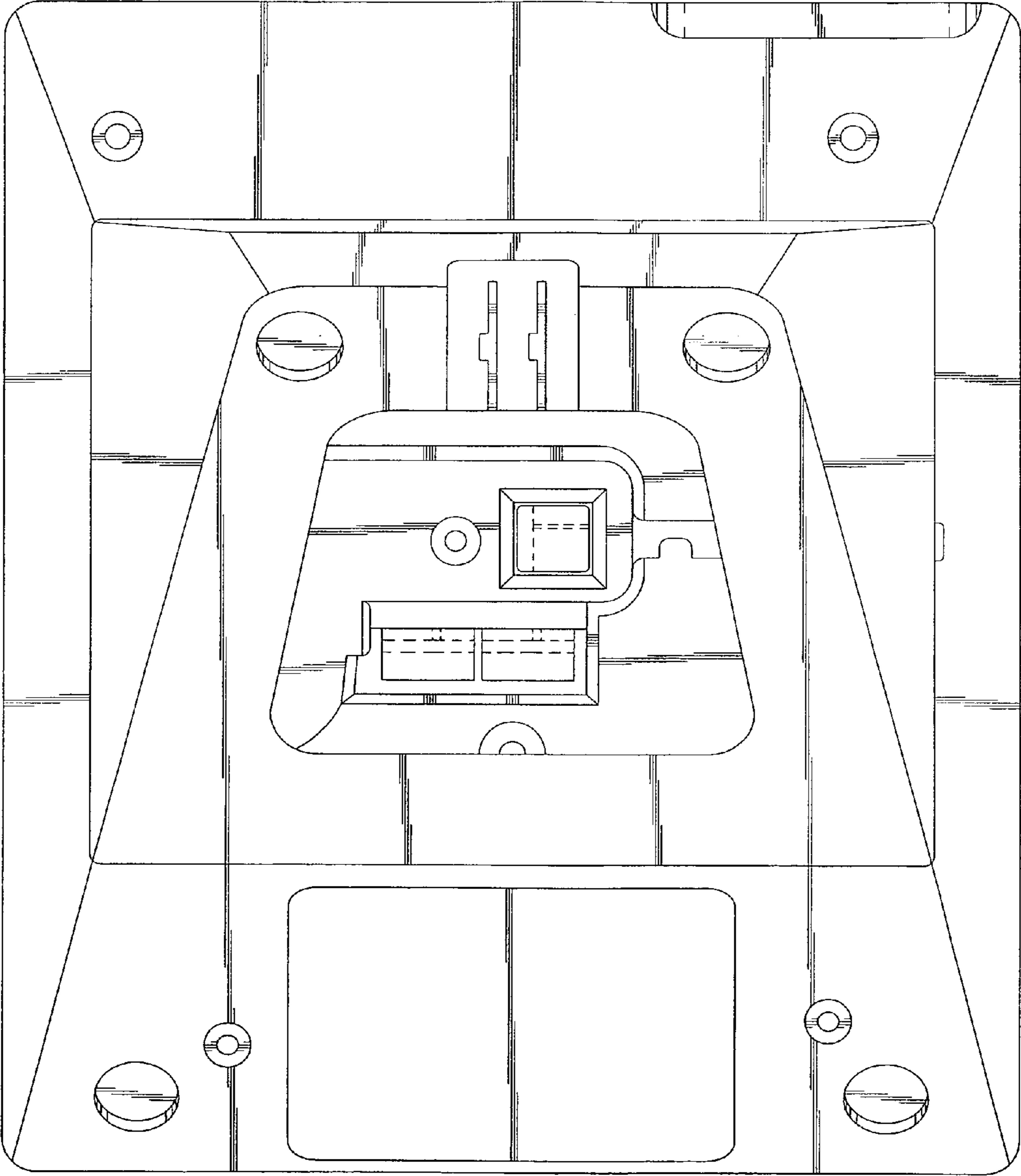


FIG. 3

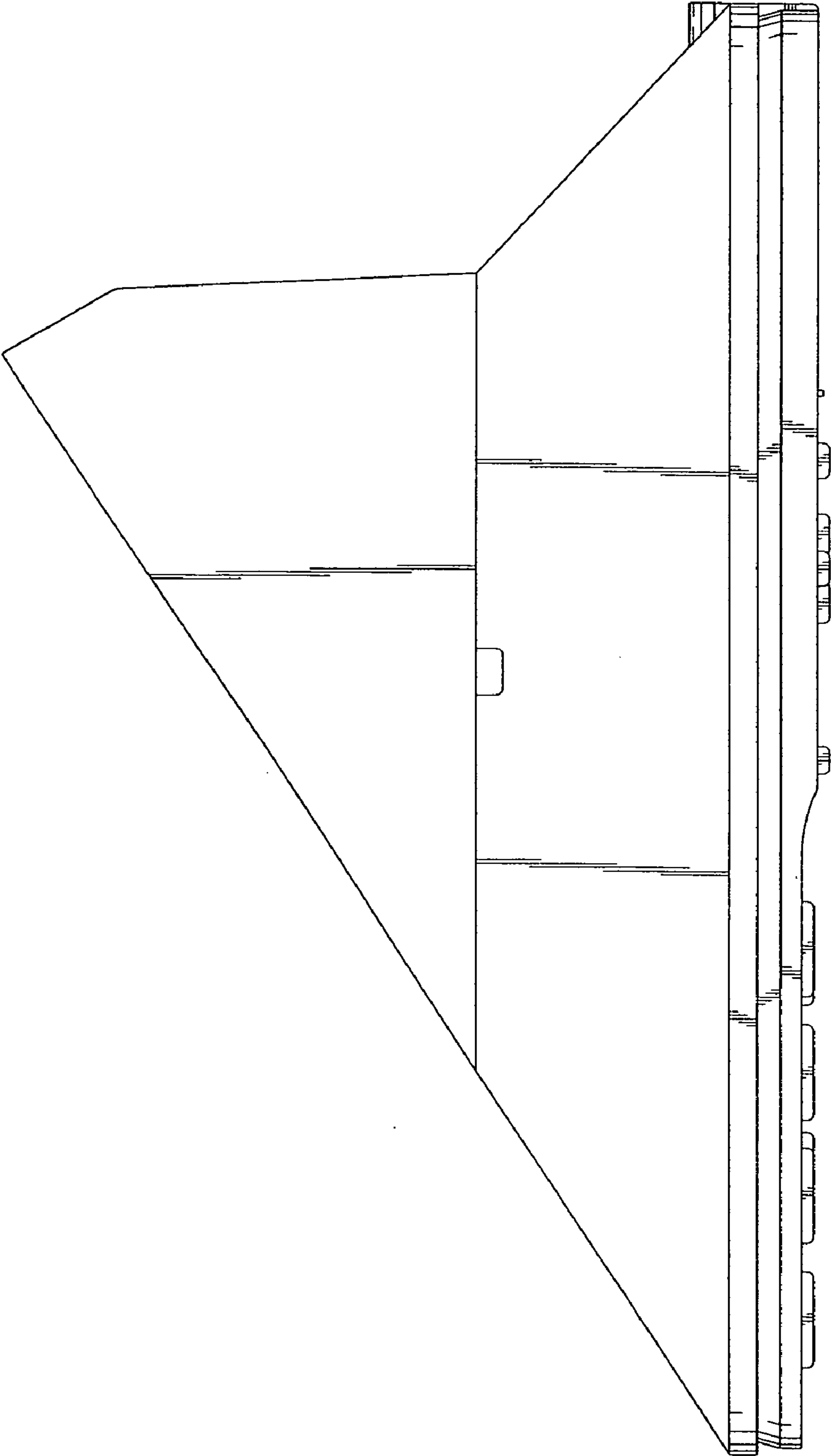


FIG. 4

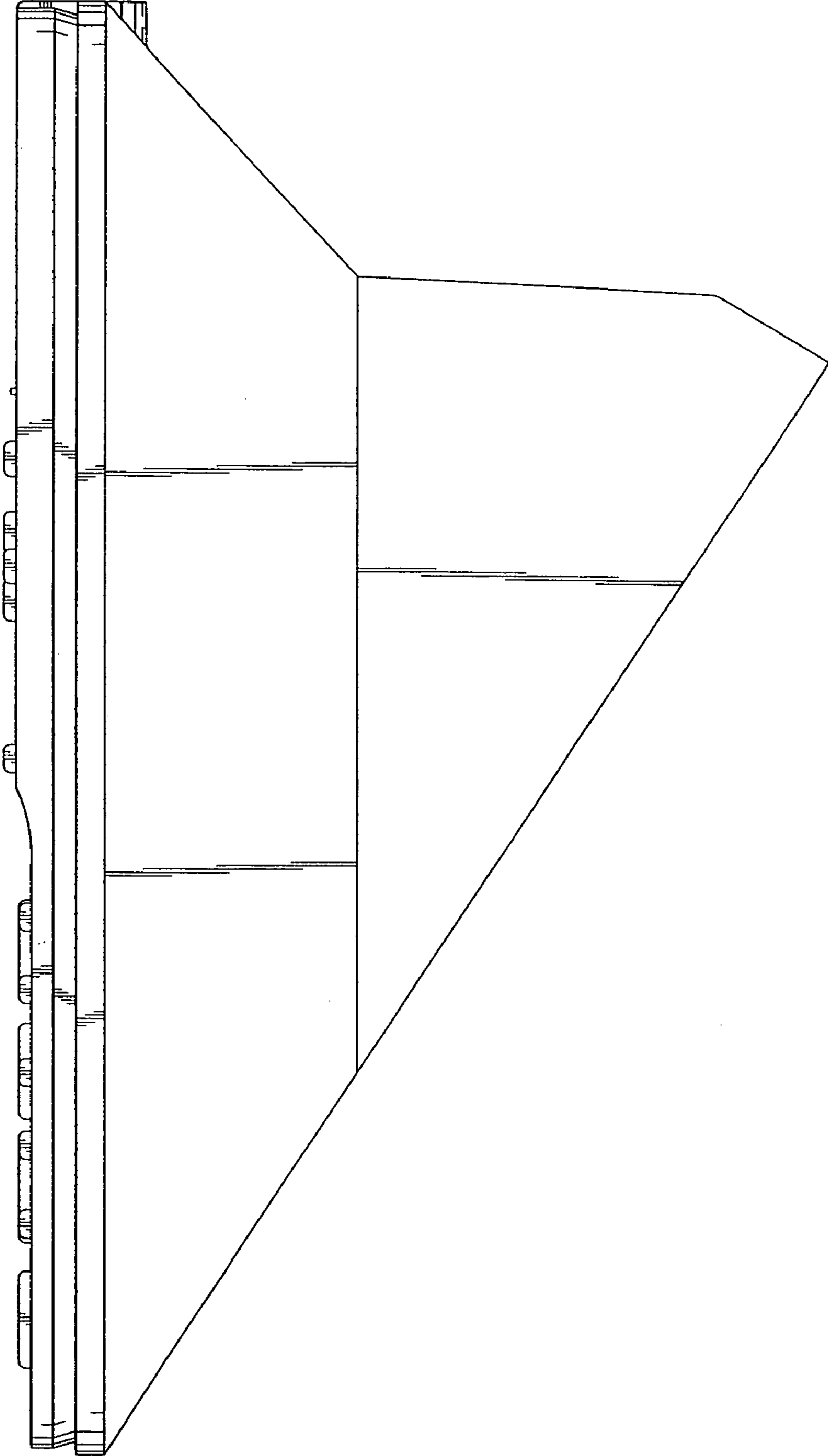


FIG. 5

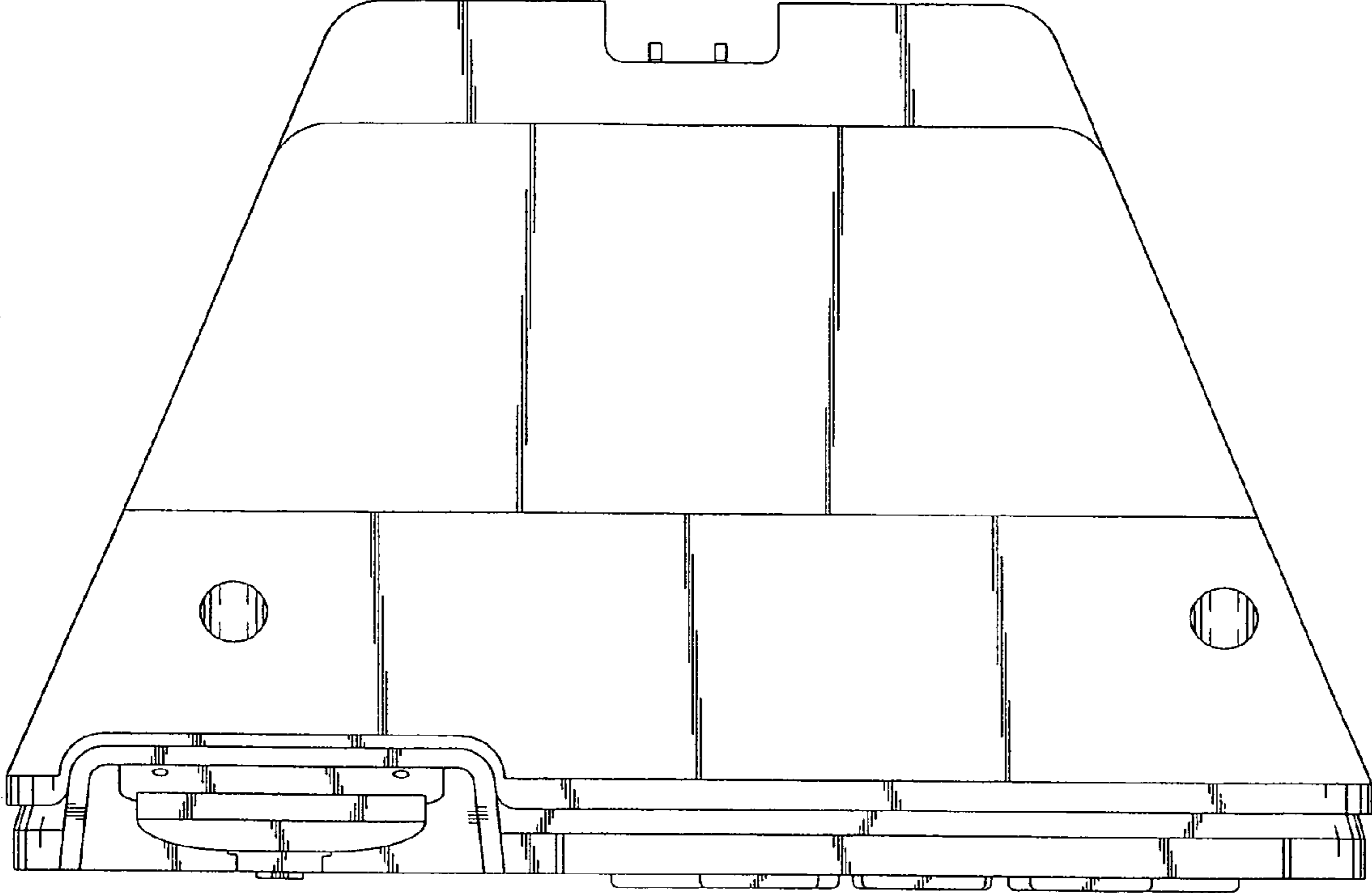


FIG.6

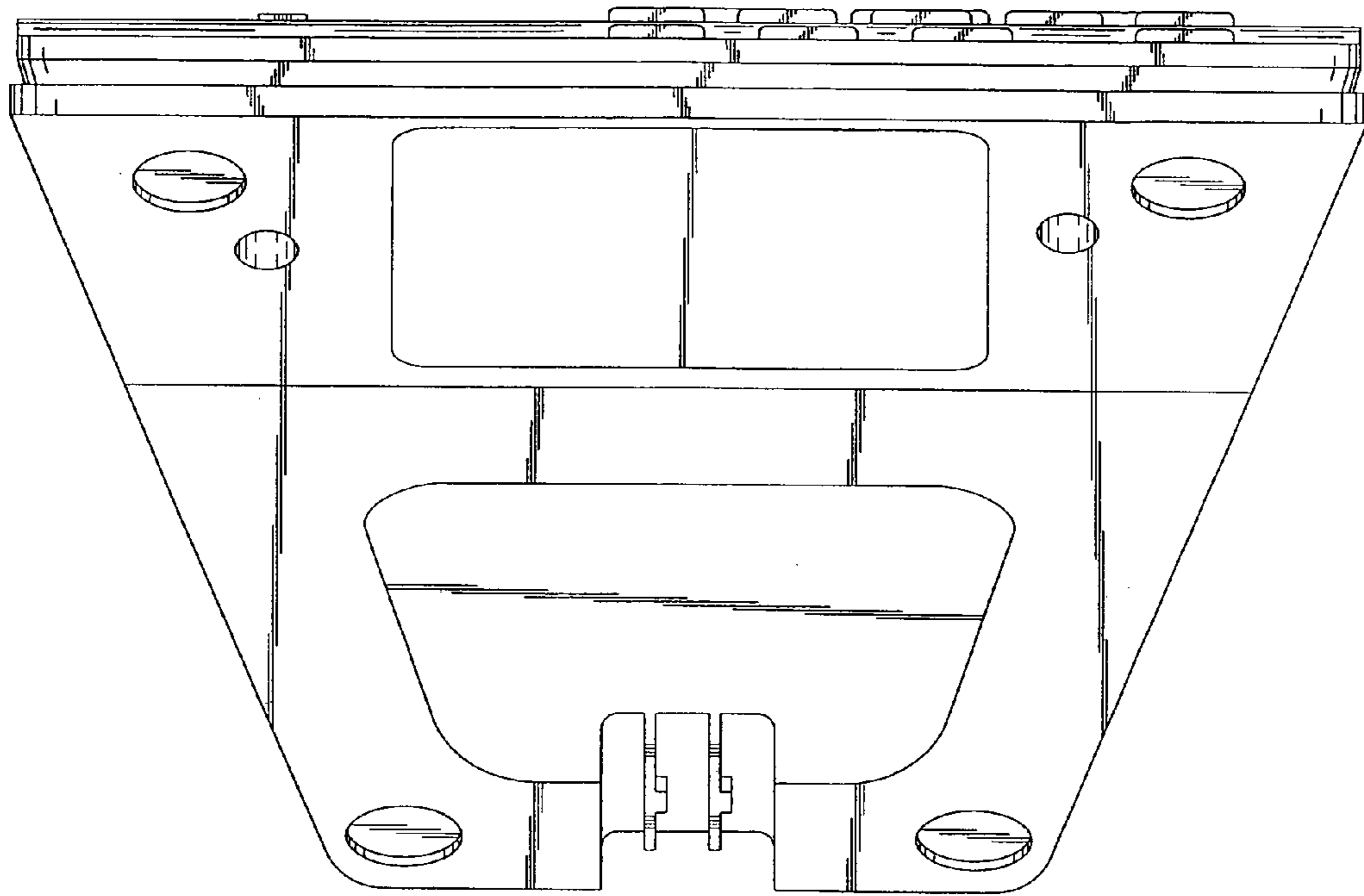


FIG. 7