



US00D608756S

(12) **United States Design Patent**  
**Chung et al.**

(10) **Patent No.:** **US D608,756 S**  
(45) **Date of Patent:** **\*\* Jan. 26, 2010**

(54) **MOBILE PHONE**

(75) Inventors: **Jin-Man Chung**, Goyang-Si (KR);  
**Seung-Min Park**, Seoul (KR);  
**Seog-Guen Kim**, Seoul (KR)

(73) Assignee: **Samsung Electronics Co., Ltd.**, Suwon (KR)

(\*\*) Term: **14 Years**

(21) Appl. No.: **29/333,198**

(22) Filed: **Mar. 4, 2009**

(30) **Foreign Application Priority Data**

Dec. 4, 2008 (KR) ..... 30-2008-0052234

(51) **LOC (9) Cl.** ..... **14-03**

(52) **U.S. Cl.** ..... **D14/138 AD**

(58) **Field of Classification Search** ..... D14/138 R,  
D14/138 AD, 138 AC, 138 C, 138 G, 191,  
D14/203.1–203.8, 496, 138 AA, 138 AB,  
D14/247–248, 137, 147, 218, 341–347; D10/65,  
D10/78, 104; D13/168; D18/7; 455/566,  
455/575.1, 575.3

See application file for complete search history.

(56) **References Cited**

**U.S. PATENT DOCUMENTS**

D519,998 S \* 5/2006 Park ..... D14/346  
D541,778 S \* 5/2007 Kim et al. .... D14/138 AA  
D548,213 S \* 8/2007 Lee et al. .... D14/138 AC  
7,269,450 B2 \* 9/2007 Lee et al. .... 455/575.1  
D555,132 S \* 11/2007 Kim et al. .... D14/138 AC  
D560,193 S \* 1/2008 Sung et al. .... D14/138 AD  
D562,298 S \* 2/2008 Yoon ..... D14/138 AD  
D563,936 S \* 3/2008 Kim et al. .... D14/138 AD  
D564,921 S \* 3/2008 Cheng ..... D10/65  
D569,365 S \* 5/2008 Shin et al. .... D14/138 AC  
D572,685 S \* 7/2008 Peng ..... D14/138 G  
D576,596 S \* 9/2008 Moon et al. .... D14/138 AD

D578,985 S \* 10/2008 Kim et al. .... D14/138 AD  
D582,369 S \* 12/2008 Jeoung et al. .... D14/138 AD  
D589,482 S \* 3/2009 Lee et al. .... D14/138 AD

(Continued)

**OTHER PUBLICATIONS**

Asus P550, announced Dec. 2007, [online], [retrieved on Jan. 18, 2008]. Retrieved from Internet ,<URL: <http://www.gsmarena.com>>.\*

(Continued)

*Primary Examiner*—Jeffrey D Asch

*Assistant Examiner*—Bridget L Eland

(74) *Attorney, Agent, or Firm*—Staas & Halsey LLP

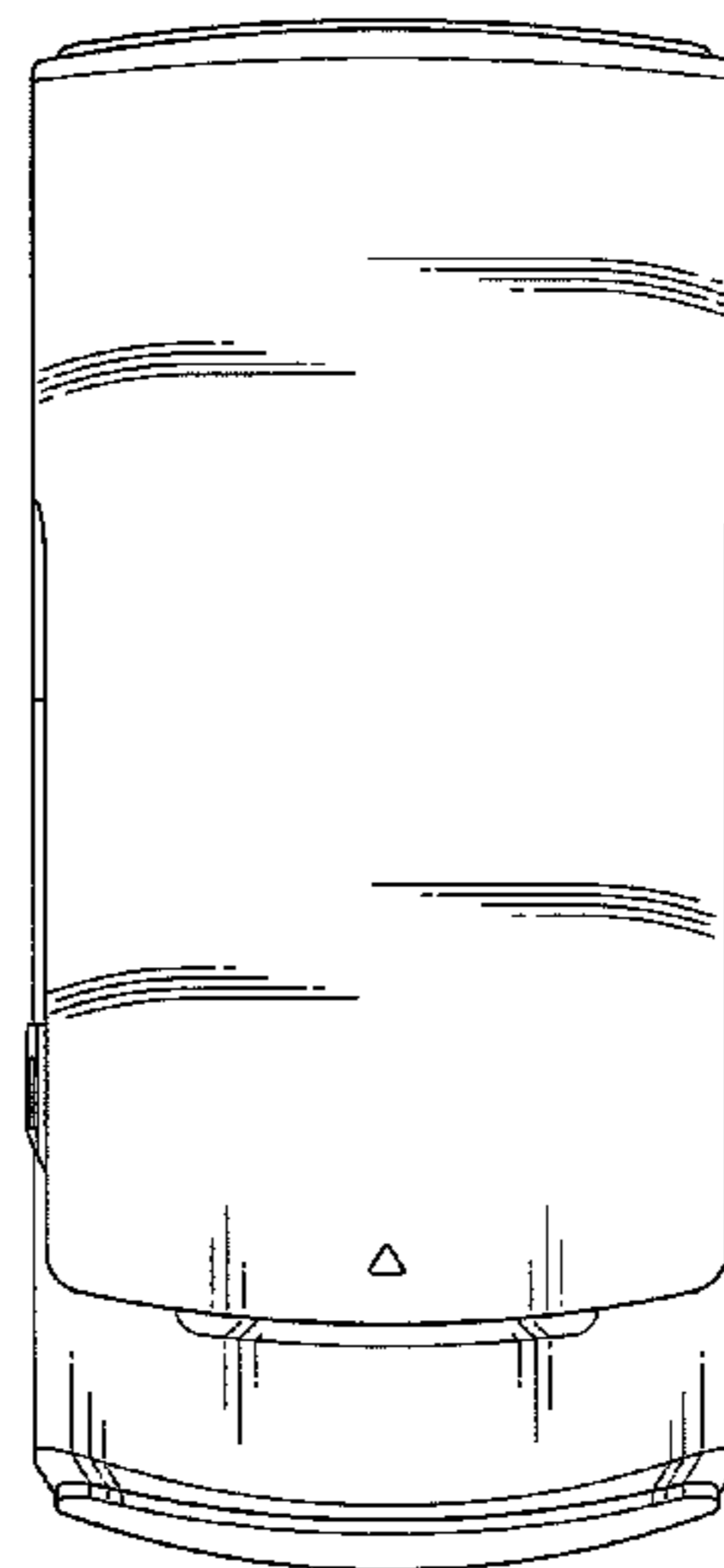
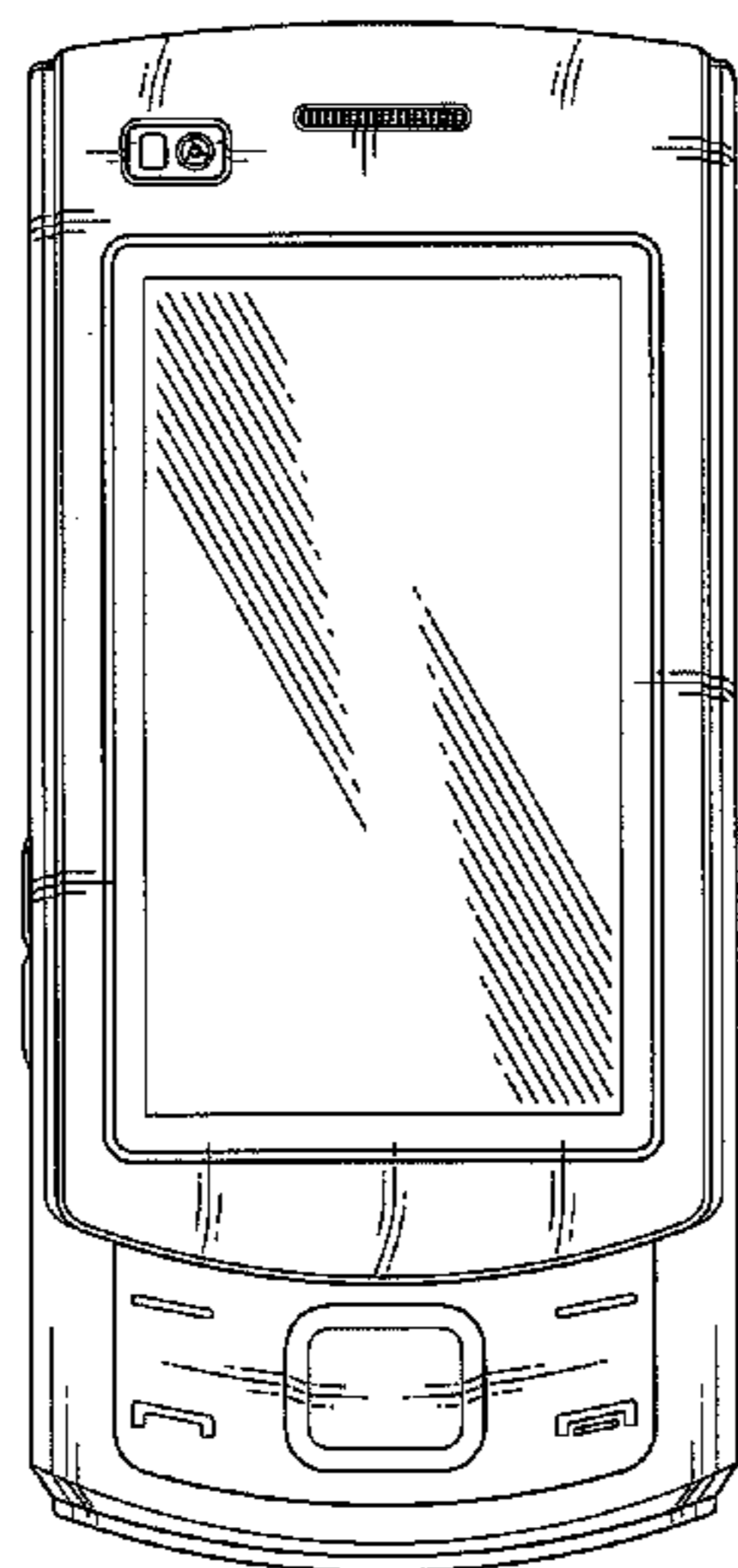
(57) **CLAIM**

The ornamental design for mobile phone, as shown and described.

**DESCRIPTION**

FIG. 1 is a front perspective view of a mobile phone;  
FIG. 2 is a front view of the mobile phone of FIG. 1;  
FIG. 3 is a rear view of the mobile phone of FIG. 1;  
FIG. 4 is a left-side view of the mobile phone of FIG. 1;  
FIG. 5 is a right-side view of the mobile phone of FIG. 1;  
FIG. 6 is a top plan view of the mobile phone of FIG. 1;  
FIG. 7 is a bottom plan view of the mobile phone of FIG. 1;  
and,  
FIG. 8 is a front open view of the mobile phone of FIG. 1; and,  
FIG. 9 is a rear open view of the mobile phone of FIG. 8.

**1 Claim, 6 Drawing Sheets**



U.S. PATENT DOCUMENTS

D590,802	S *	4/2009	Shin et al. ....	D14/138 AD
D591,714	S *	5/2009	Kim et al. ....	D14/138 AD
D593,518	S *	6/2009	Hong et al. ....	D14/138 AD
D593,519	S *	6/2009	Hong et al. ....	D14/138 AD
D593,531	S *	6/2009	Lee et al. ....	D14/138 AD
D594,837	S *	6/2009	Choi et al. ....	D14/138 AD
7,555,312	B2 *	6/2009	Kim et al. ....	455/556.1
2007/0072659	A1 *	3/2007	Ryu .....	455/575.3
2008/0076480	A1 *	3/2008	Jeong et al. ....	455/566
2008/0132301	A1 *	6/2008	Kim et al. ....	455/575.3
2008/0207284	A1 *	8/2008	Jung et al. ....	455/575.4

OTHER PUBLICATIONS

Asus P565, announced Nov. 2008, [online], [retrieved on Nov. 26, 2008]. Retrieved from Internet ,<URL: <http://www.gsmarena.com>>.\*

Eten glofiish M700, announced Nov. 2006, [online], [retrieved on Feb. 20, 2007]. Retrieved from Internet ,<URL: <http://www.gsmarena.com>>.\*

Eten glofiish X800, announced Mar. 2007, [online], [retrieved on Apr. 3, 2007 & Feb. 6, 2009]. Retrieved from Internet ,<URL: <http://www.gsmarena.com>>.\*

Gigabyte g-Smart, announced 2005, [online], [retrieved on Feb. 20, 2007]. Retrieved from Internet ,<URL: <http://www.gsmarena.com>>.\*

i-mate Ultimate 9502, announced Oct. 2007, [online], [retrieved on Dec. 13, 2007]. Retrieved from Internet ,<URL: <http://www.gsmarena.com>>.\*

Samsung P930, announced Dec. 2006, [online], [retrieved on Feb. 8, 2007]. Retrieved from Internet ,<URL: <http://www.gsmarena.com>>.\*

Samsung S8300 UltraTOUCH, announced Feb. 2009, [online], [retrieved on Feb. 20, 2009]. Retrieved from Internet ,<URL: <http://www.gsmarena.com>>.\*

\* cited by examiner

FIG. 1

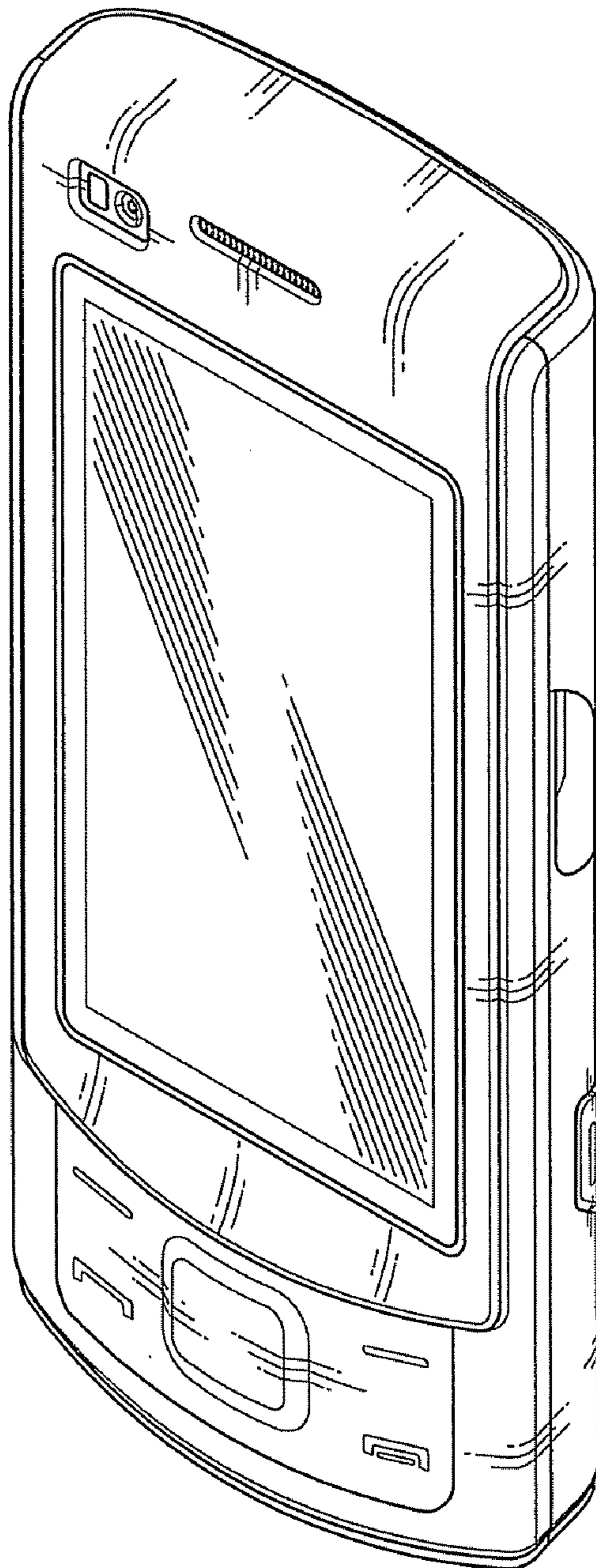


FIG. 2

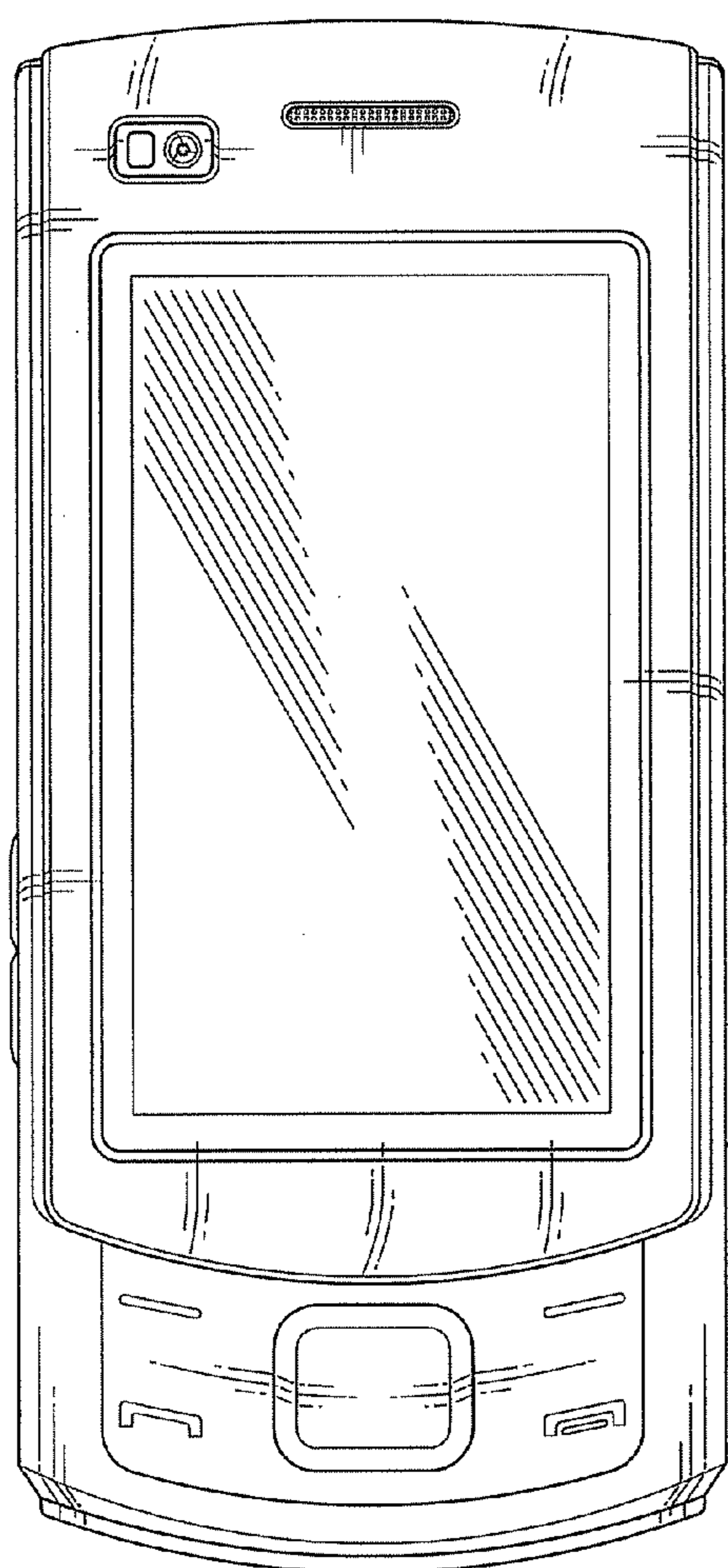


FIG. 3

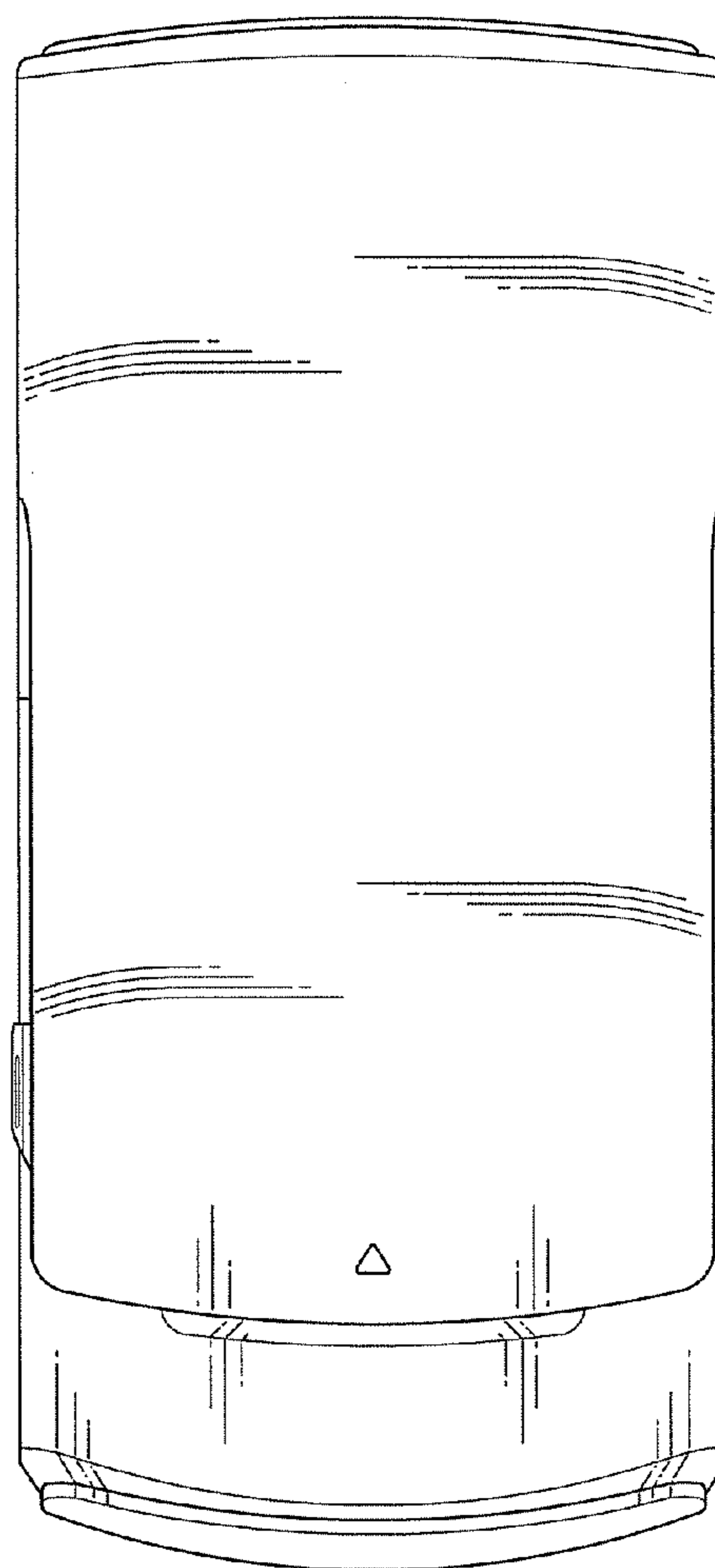


FIG. 4

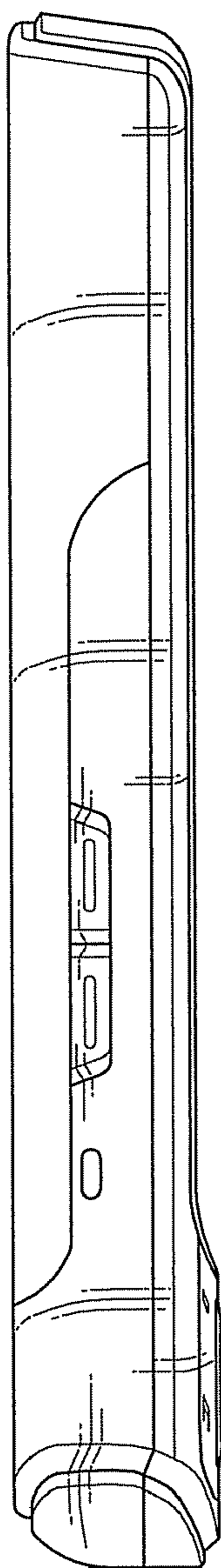


FIG. 5

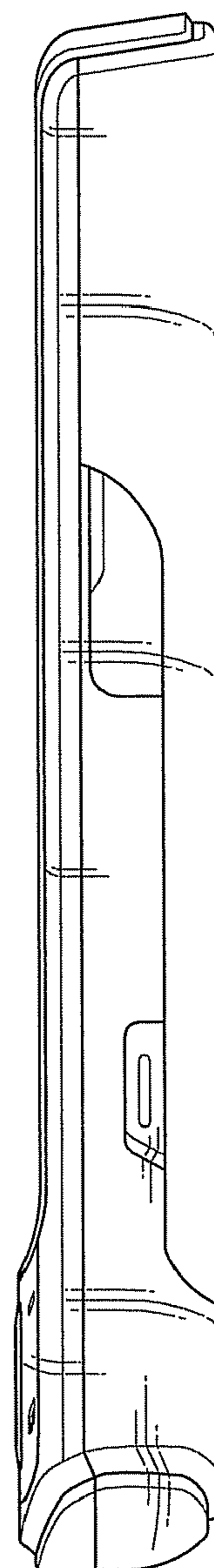


FIG. 6

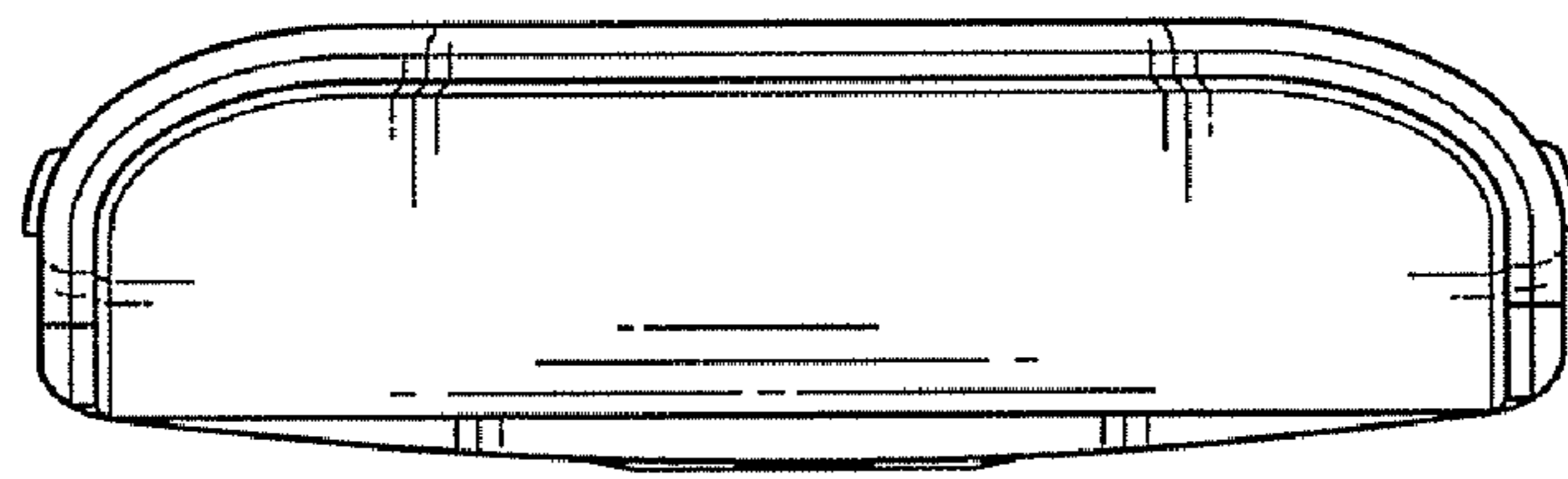


FIG. 7

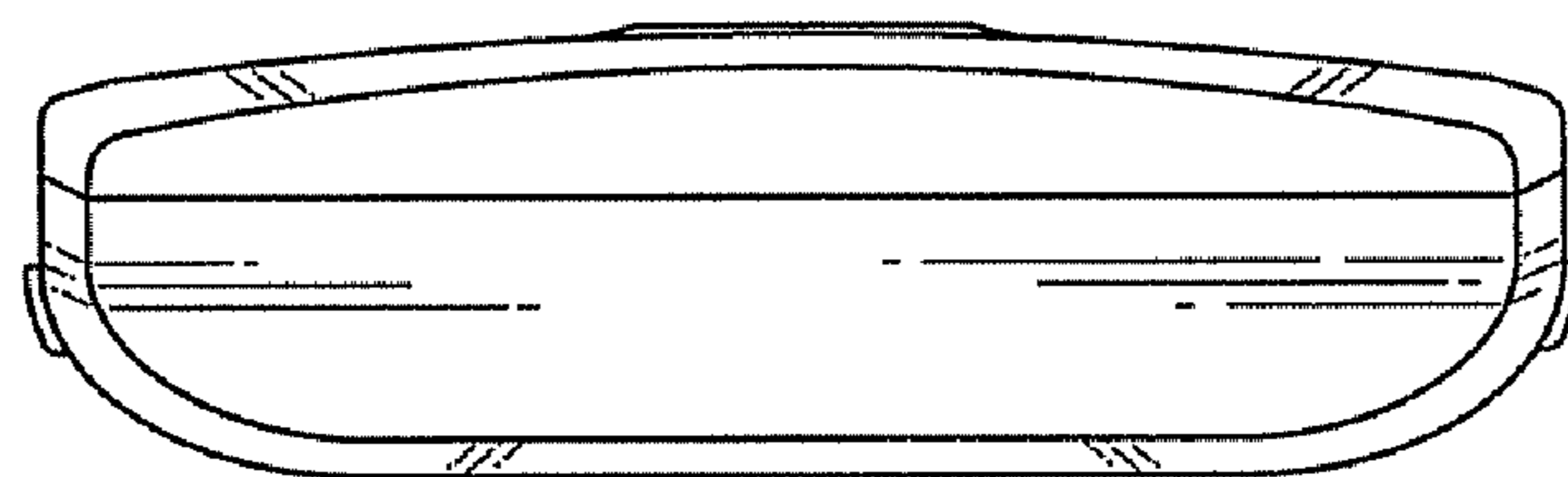


FIG. 8

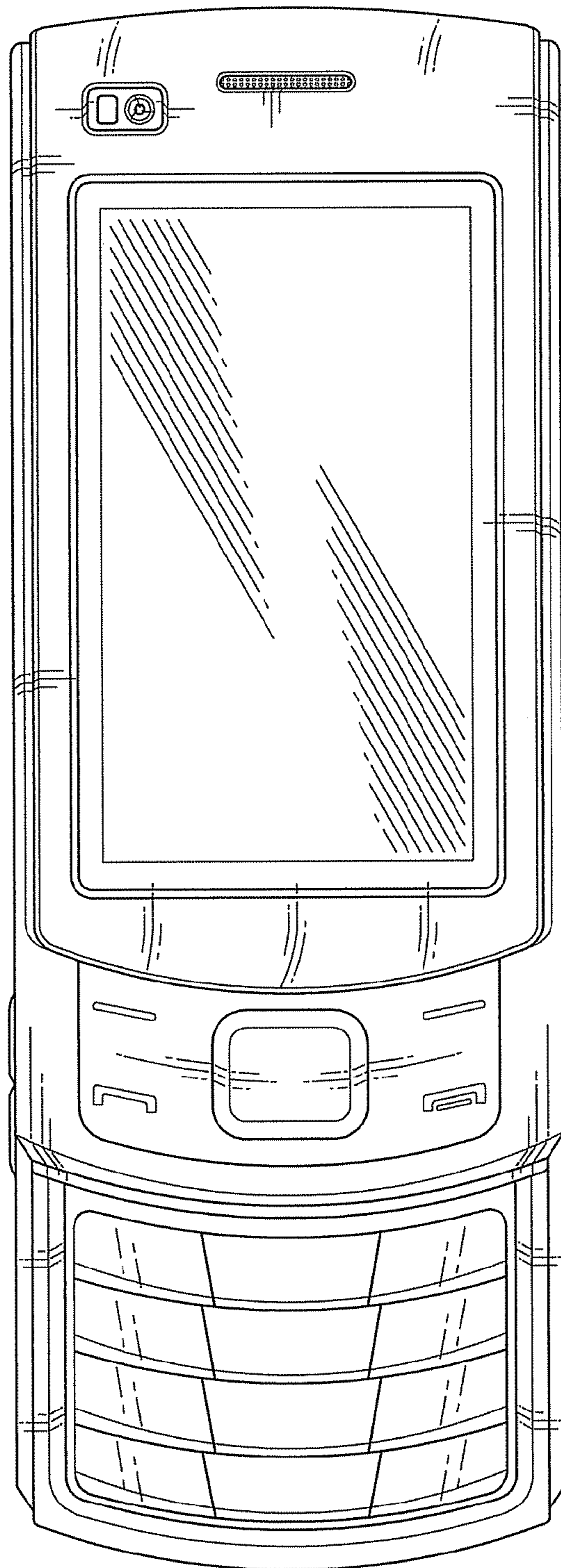


FIG. 9

