



US00D608754S

(12) **United States Design Patent**  
**Zhou et al.**

(10) **Patent No.:** **US D608,754 S**  
(45) **Date of Patent:** **\*\* Jan. 26, 2010**

(54) **MOBILE PHONE**

(75) Inventors: **Xin-Quan Zhou**, Shenzhen (CN);  
**Hsiao-Hua Tu**, Taipei Hsien (TW); **Ye Liu**, Shenzhen (CN)

(73) Assignee: **FIH (Hong Kong) Limited**, Kowloon (HK)

(\*\*) Term: **14 Years**

(21) Appl. No.: **29/329,687**

(22) Filed: **Dec. 19, 2008**

(30) **Foreign Application Priority Data**

Dec. 1, 2008 (CN) ..... 2008 3 0302562

(51) **LOC (9) Cl.** ..... **14-03**

(52) **U.S. Cl.** ..... **D14/138 AA; D14/138 AB**

(58) **Field of Classification Search** ..... D14/138 AA,  
D14/138 R, 138 AD, 341–347, 138 AB;  
455/575.1, 575.4, 556.2, 575.3

See application file for complete search history.

(56) **References Cited**

**U.S. PATENT DOCUMENTS**

D298,244 S *	10/1988	Watanabe	.....	D14/138 AA
D385,875 S *	11/1997	Harris et al.	.....	D14/138 AA
D439,572 S *	3/2001	Kang	.....	D14/138 AA
6,297,945 B1 *	10/2001	Yamamoto	.....	361/679.04
6,535,749 B1 *	3/2003	Iwata et al.	.....	455/556.2
D515,541 S *	2/2006	Jensfelt	.....	D14/138 AA
D523,837 S *	6/2006	Lee	.....	D14/138 AA
D526,983 S *	8/2006	Gong et al.	.....	D14/138 AA
D541,252 S *	4/2007	Kim et al.	.....	D14/138 AA
D542,762 S *	5/2007	Kim et al.	.....	D14/138 AA
D542,763 S *	5/2007	Kim et al.	.....	D14/138 AA
D543,171 S *	5/2007	Kim et al.	.....	D14/138 AA
D544,851 S *	6/2007	Burns	.....	D14/138 AA
D550,642 S *	9/2007	Jiang et al.	.....	D14/138 AA
D555,127 S *	11/2007	Park et al.	.....	D14/138 AA
D561,728 S *	2/2008	Kim et al.	.....	D14/138 AB
7,412,261 B2 *	8/2008	Tutikawa	.....	455/566
7,440,266 B2 *	10/2008	Yu	.....	361/679.27

D585,039 S *	1/2009	Wang et al.	.....	D14/138 AA
D587,669 S *	3/2009	Aarras	.....	D14/138 AA
D588,087 S *	3/2009	Stone	.....	D14/138 AA
D597,047 S *	7/2009	Jung et al.	.....	D14/138 AA
2006/0205438 A1 *	9/2006	Jung	.....	455/566
2009/0176527 A1 *	7/2009	Ke et al.	.....	455/556.1

**OTHER PUBLICATIONS**

Sony Ericsson M608 telephone, announced May 2006, [online], [site visited Aug. 19, 2009]. Available from Internet, <URL: <http://www.gsmarena.com>>.\*

(Continued)

*Primary Examiner*—Jeffrey D Asch

(74) *Attorney, Agent, or Firm*—Steven M. Reiss

(57) **CLAIM**

The ornamental design for a mobile phone, as shown and described.

**DESCRIPTION**

FIG. 1 is a perspective view of a mobile phone showing our new design;

FIG. 2 is a front elevational view thereof;

FIG. 3 is a rear elevational view thereof;

FIG. 4 is a left side elevational view thereof;

FIG. 5 is a right side elevational view thereof;

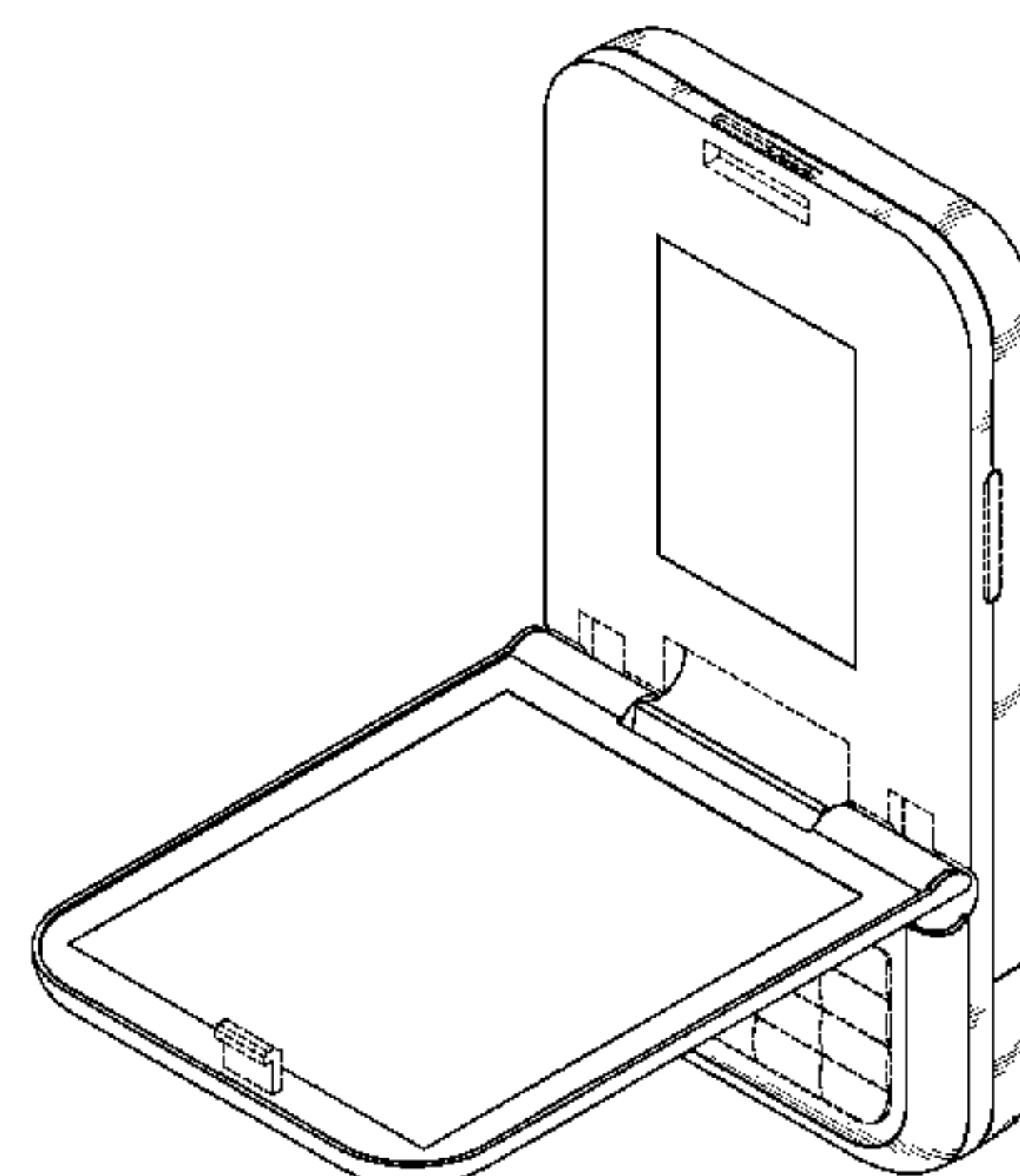
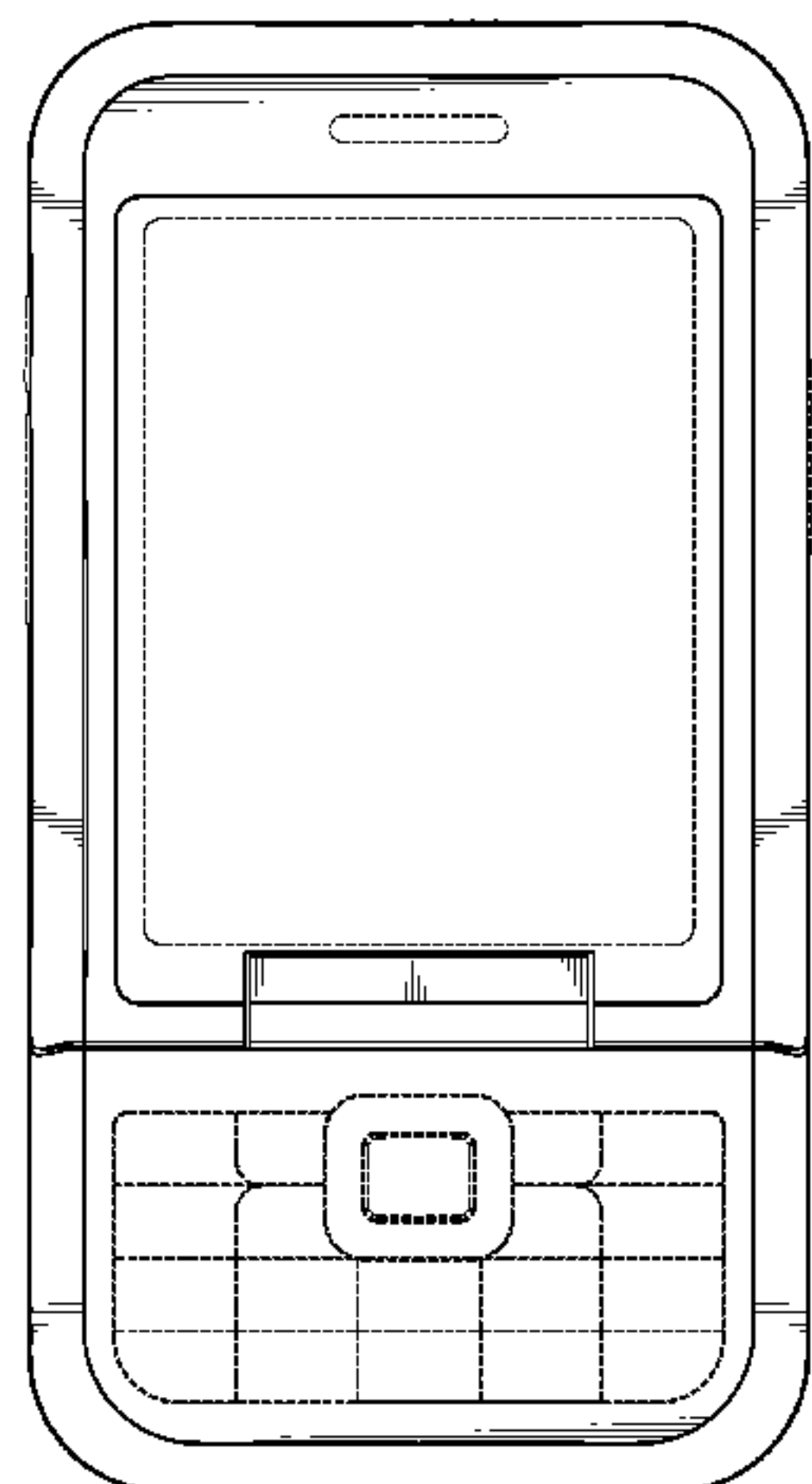
FIG. 6 is a top plan view thereof;

FIG. 7 is a bottom plan view thereof; and,

FIG. 8 is an open view of the mobile phone of FIG. 1 .

The broken lines shown throughout the views, which are immediately adjacent to the claimed surfaces and define unshaded regions, represent the bounds of the claimed design, while all other broken lines are directed to environment and are for illustrative purposes only; the broken lines form no part of the claimed design.

**1 Claim, 8 Drawing Sheets**



OTHER PUBLICATIONS

Sony Ericsson P910 telephone, announced 3<sup>rd</sup> quarter 2004, [online], [site visited Aug. 19, 2009]. Available from Internet, <URL: <http://www.gsmarena.com>>.\*

Blackberry 7130v telephone, announced Jun. 2006, [online], [site visited Aug. 19, 2009]. Available from Internet, <URL: <http://www.gsmarena.com>>.\*

Panasonic X300 telephone, announced 1<sup>st</sup> quarter 2004, [online], [site visited Aug. 19, 2009]. Available from Internet, <URL: <http://www.gsmarena.com>>.\*

Vodafone 725 telephone, announced May 2008, [online], [site visited Aug. 19, 2009]. Available from Internet, <URL: <http://www.gsmarena.com>>.\*

\* cited by examiner

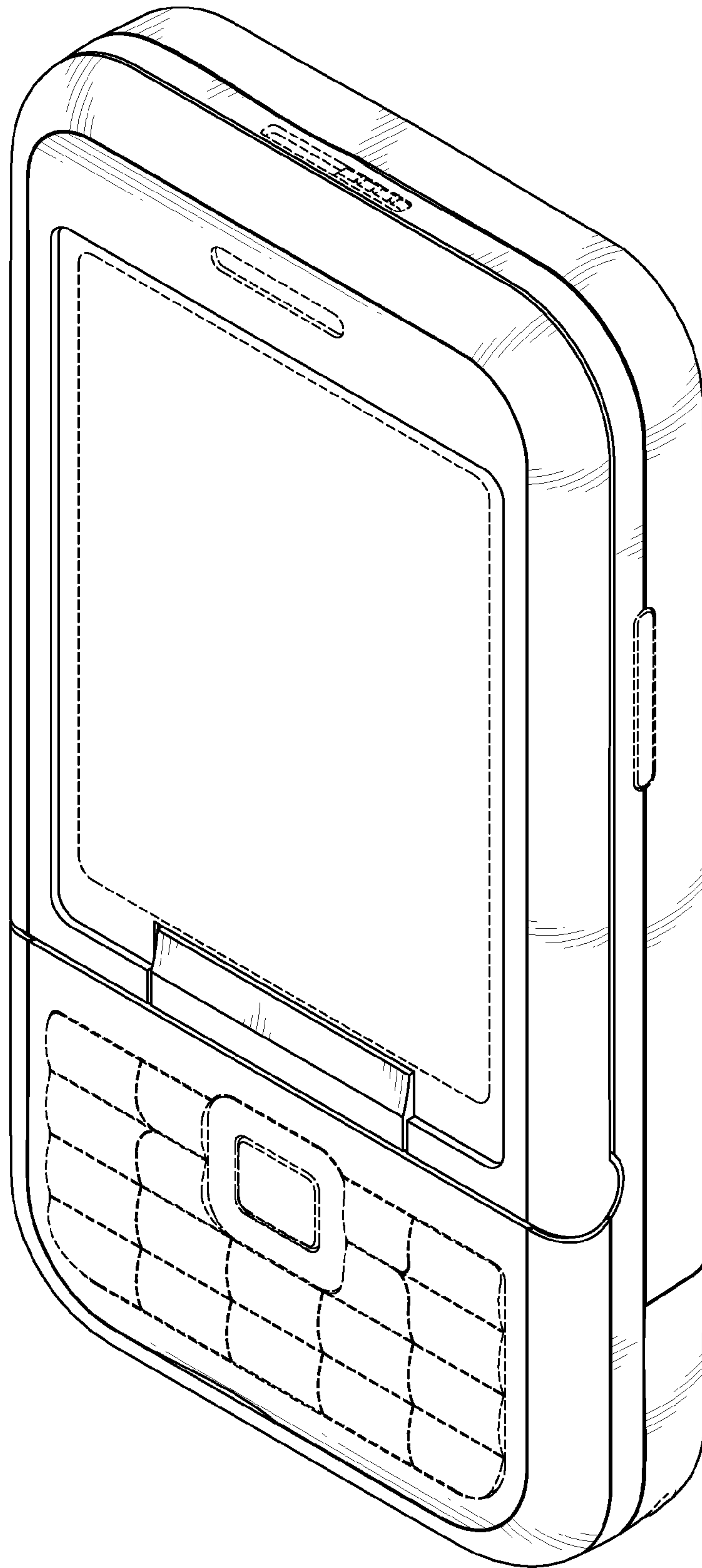


FIG. 1

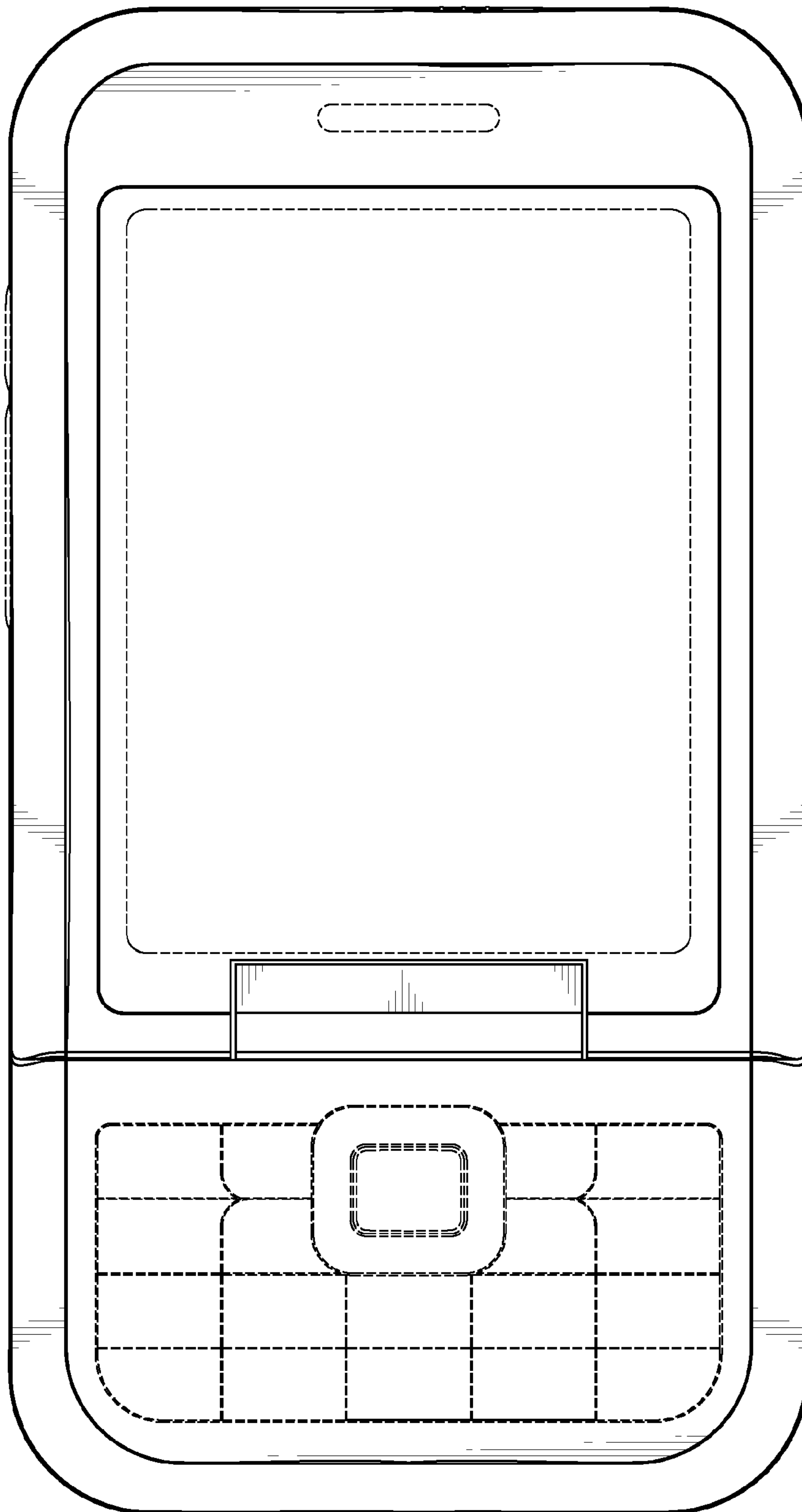


FIG. 2

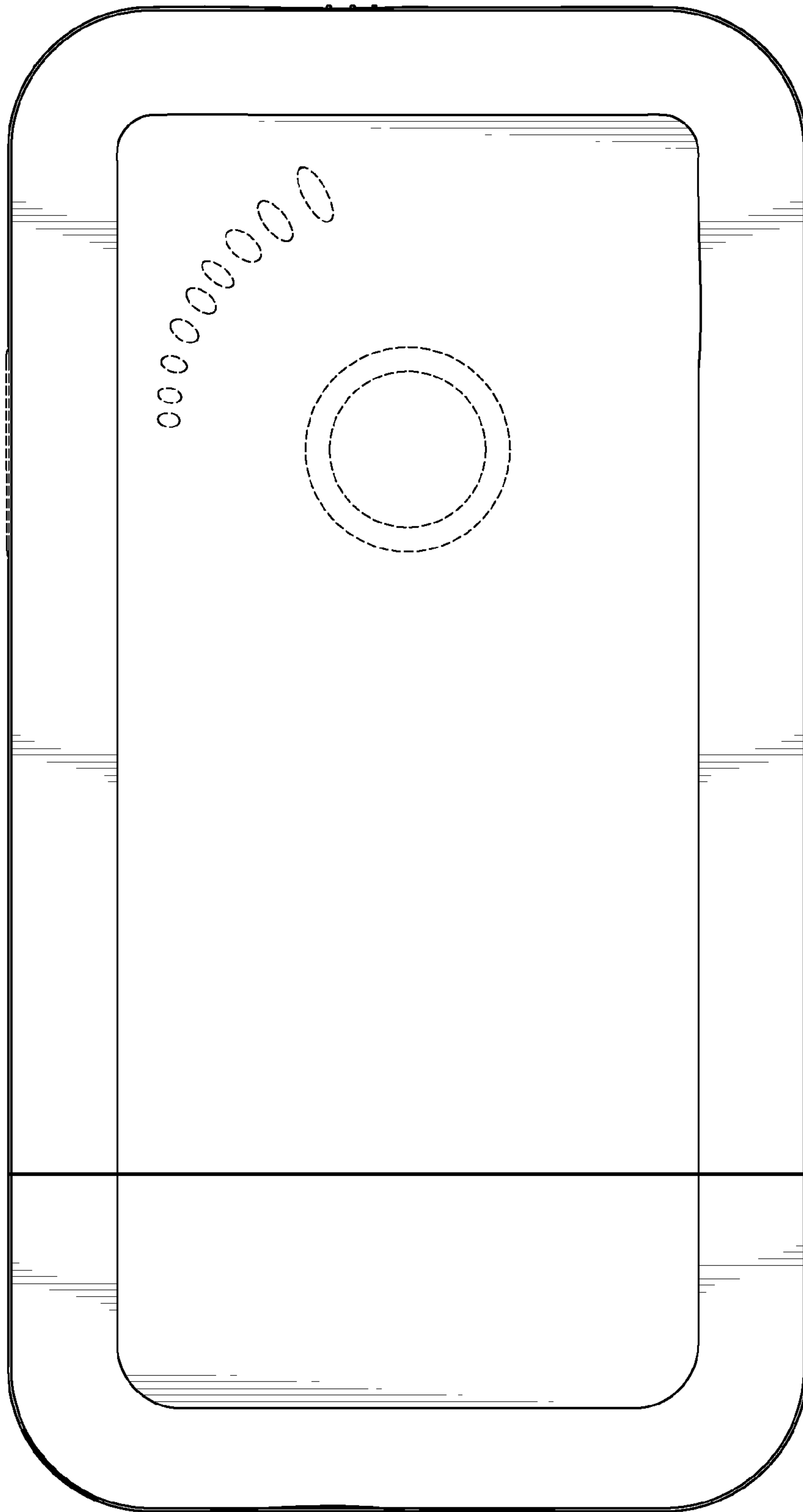


FIG. 3

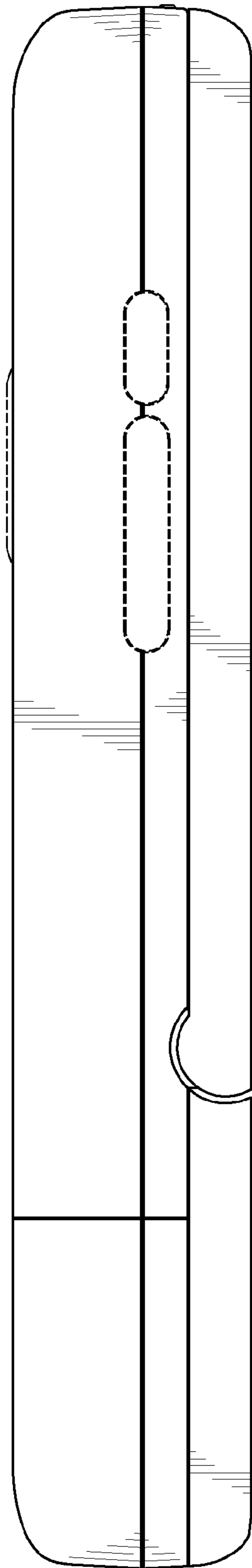


FIG. 4

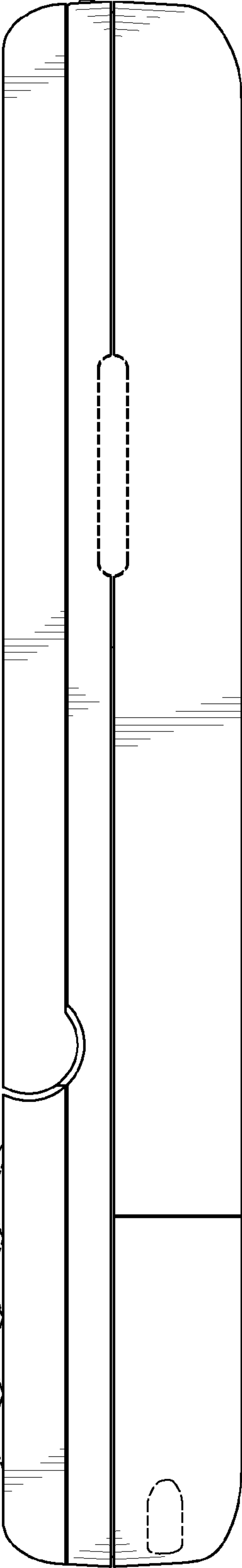


FIG. 5

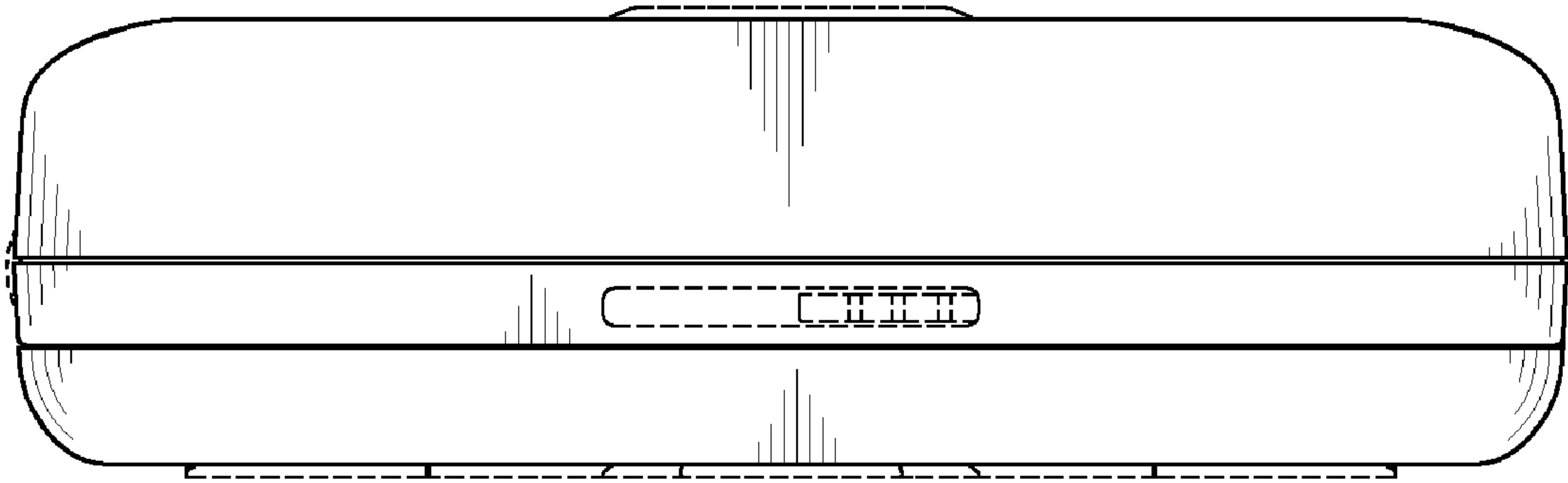


FIG. 6



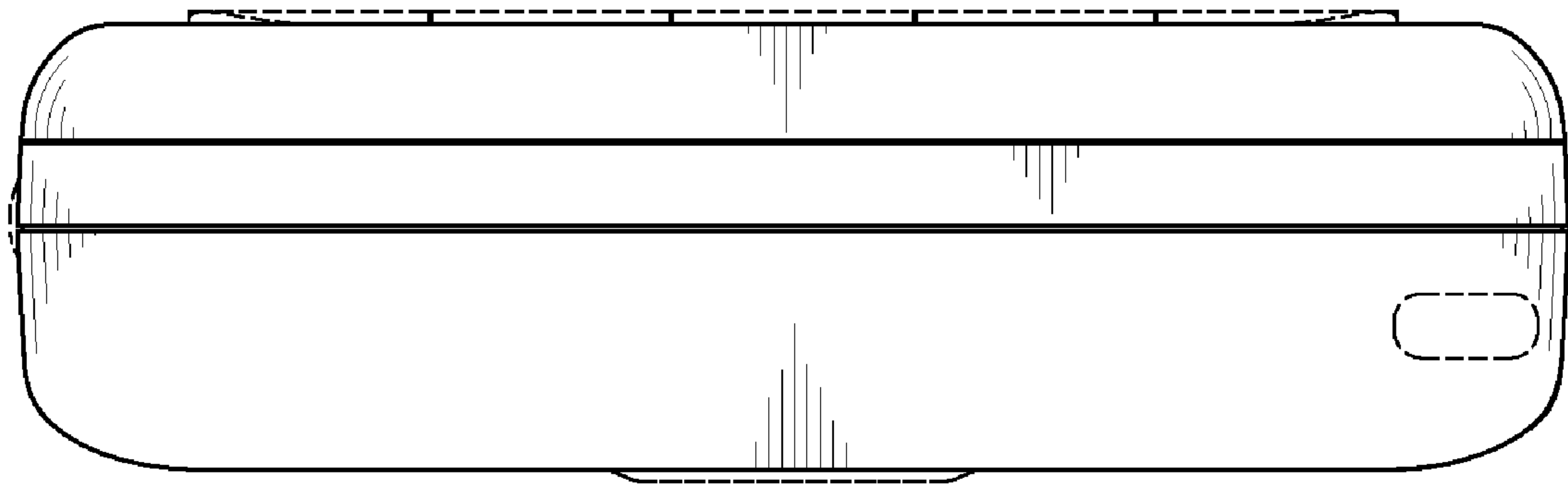


FIG. 7

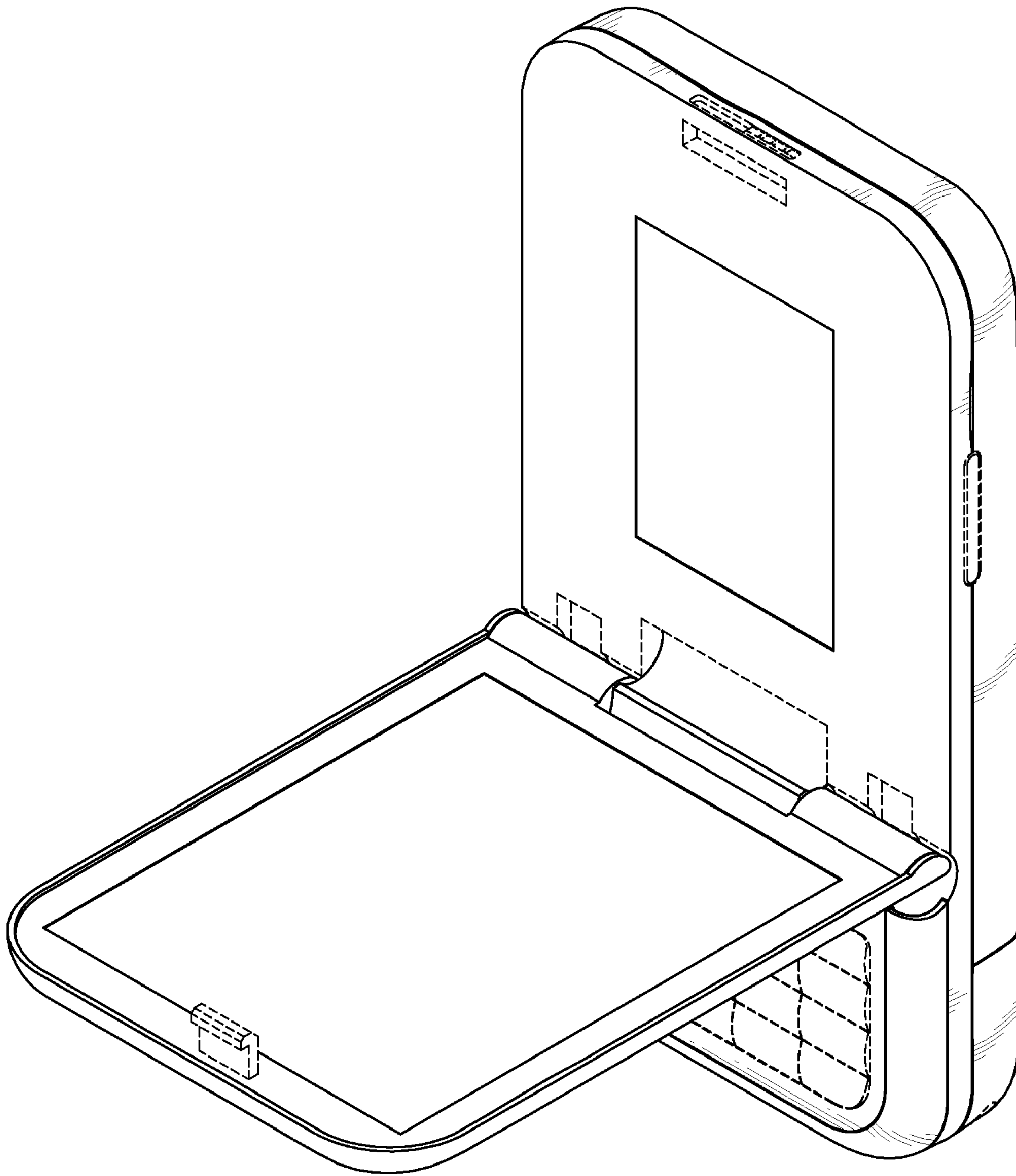


FIG. 8