



US00D608752S

(12) **United States Design Patent**  
**He**

(10) **Patent No.:** **US D608,752 S**  
(45) **Date of Patent:** **\*\* Jan. 26, 2010**

(54) **MOBILE PHONE**

(75) Inventor: **Shu-Gang He**, Guangdong (CN)

(73) Assignee: **FIH (Hong Kong) Limited**, Kowloon (HK)

(\*\*) Term: **14 Years**

(21) Appl. No.: **29/326,567**

(22) Filed: **Oct. 21, 2008**

(30) **Foreign Application Priority Data**

Sep. 19, 2008 (CN) ..... 2008 3 0301509

(51) **LOC (9) Cl.** ..... **14-03**

(52) **U.S. Cl.** ..... **D14/138 AA**

(58) **Field of Classification Search** ..... D14/138 AA,  
D14/138 R, 138 AD, 341-347; 455/575.1,  
455/575.4, 556.2

See application file for complete search history.

(56) **References Cited**

**U.S. PATENT DOCUMENTS**

D513,741	S	*	1/2006	Jensfelt	.....	D14/138 AA
D543,967	S	*	6/2007	Peng	.....	D14/138 AA
D545,803	S	*	7/2007	Chen	.....	D14/138 AA
D546,800	S	*	7/2007	Lee	.....	D14/138 AA
D549,208	S	*	8/2007	Huang et al.	.....	D14/138 AA
D555,624	S	*	11/2007	Lee et al.	.....	D14/138 AA
D560,647	S	*	1/2008	Choi et al.	.....	D14/138 AA
D562,295	S	*	2/2008	Lindner et al.	.....	D14/138 AB
D573,130	S	*	7/2008	Kim et al.	.....	D14/138 AA
D576,135	S	*	9/2008	Moss	.....	D14/138 AA
D576,583	S	*	9/2008	Miles et al.	.....	D14/138 AA
D579,910	S	*	11/2008	Fan et al.	.....	D14/138 AA
D580,900	S	*	11/2008	Wong et al.	.....	D14/138 AA
D582,373	S	*	12/2008	Cao et al.	.....	D14/138 AA
D583,352	S	*	12/2008	Son et al.	.....	D14/138 AA
D584,271	S	*	1/2009	Ko et al.	.....	D14/138 AA
D585,039	S	*	1/2009	Wang et al.	.....	D14/138 AA
D587,669	S	*	3/2009	Aarras	.....	D14/138 AA
D589,484	S	*	3/2009	Nenonen	.....	D14/138 AA
D589,922	S	*	4/2009	Boyd et al.	.....	D14/138 AA

D589,925	S	*	4/2009	Shi	.....	D14/138 AA
D591,251	S	*	4/2009	Laine et al.	.....	D14/138 AA
D597,044	S	*	7/2009	Suk et al.	.....	D14/138 AA
D597,047	S	*	7/2009	Jung et al.	.....	D14/138 AA
2008/0309589	A1	*	12/2008	Morales	.....	345/36
2009/0042619	A1	*	2/2009	Pierce et al.	.....	455/566

**OTHER PUBLICATIONS**

Motorola ROKR E8 telephone, announced Sep. 2007, [online], [site visited Aug. 19, 2009]. Available from Internet ,<URL: http://www.gsmarena.com>.\*

Vodafone 332 telephone, announced Oct. 2008, [online], [site visited Aug. 19, 2009]. Available from Internet ,<URL: http://www.gsmarena.com>.\*

(Continued)

*Primary Examiner*—Jeffrey D Asch

(74) *Attorney, Agent, or Firm*—Steven M. Reiss

(57) **CLAIM**

The ornamental design for a mobile phone, as shown and described.

**DESCRIPTION**

FIG. 1 is a perspective view of a mobile phone showing my new design;

FIG. 2 is a front elevational view thereof;

FIG. 3 is a rear elevational view thereof;

FIG. 4 is a left side elevational view thereof;

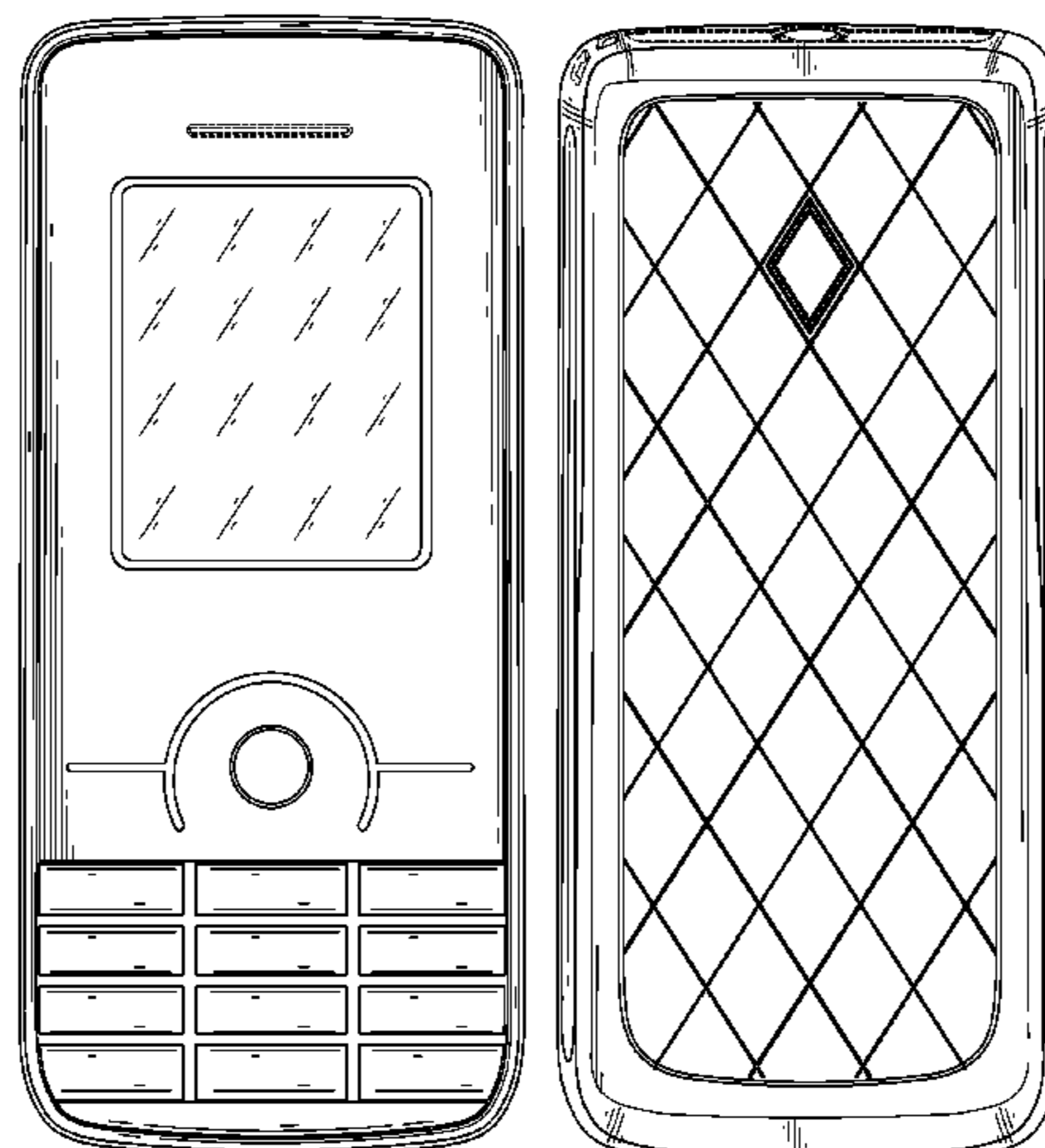
FIG. 5 is a right side elevational view thereof;

FIG. 6 is a top plan view thereof; and,

FIG. 7 is a bottom plan view thereof.

The broken lines shown on the front above the display, at the top, and at the top right corner, which are immediately adjacent to the shaded areas and define unshaded regions, represent the bounds of the claimed design, while all other broken lines are directed to environment and are for illustrative purposes only; the broken lines form no part of the claimed design.

**1 Claim, 7 Drawing Sheets**



OTHER PUBLICATIONS

Sagem my600x telephone, announced Sep. 2006, [online], [site visited Aug. 19, 2009]. Available from Internet ,<URL: <http://www.gsmarena.com>>.\*

Sagem my230x telephone, announced Feb. 2008, [online], [site visited Aug. 19, 2009]. Available from Internet ,<URL: <http://www.gsmarena.com>>.\*

Alcatel OT-S120 telephone, announced Feb. 2008, [online], [site visited Aug. 19, 2009]. Available from Internet ,<URL: <http://www.gsmarena.com>>.\*

Philips Xenium 9@9v telephone, announced Apr. 2008, [online], [site visited Aug. 19, 2009]. Available from Internet ,<URL: <http://www.gsmarena.com>>.\*

Nokia 2700 classic telephone, announced Jan. 2009, [online], [site visited Aug. 19, 2009]. Available from Internet ,<URL: <http://www.gsmarena.com>>.\*

BenQ T60 telephone, announced Mar. 2008, [online], [site visited Aug. 19, 2009]. Available from Internet ,<URL: <http://www.gsmarena.com>>.\*

\* cited by examiner

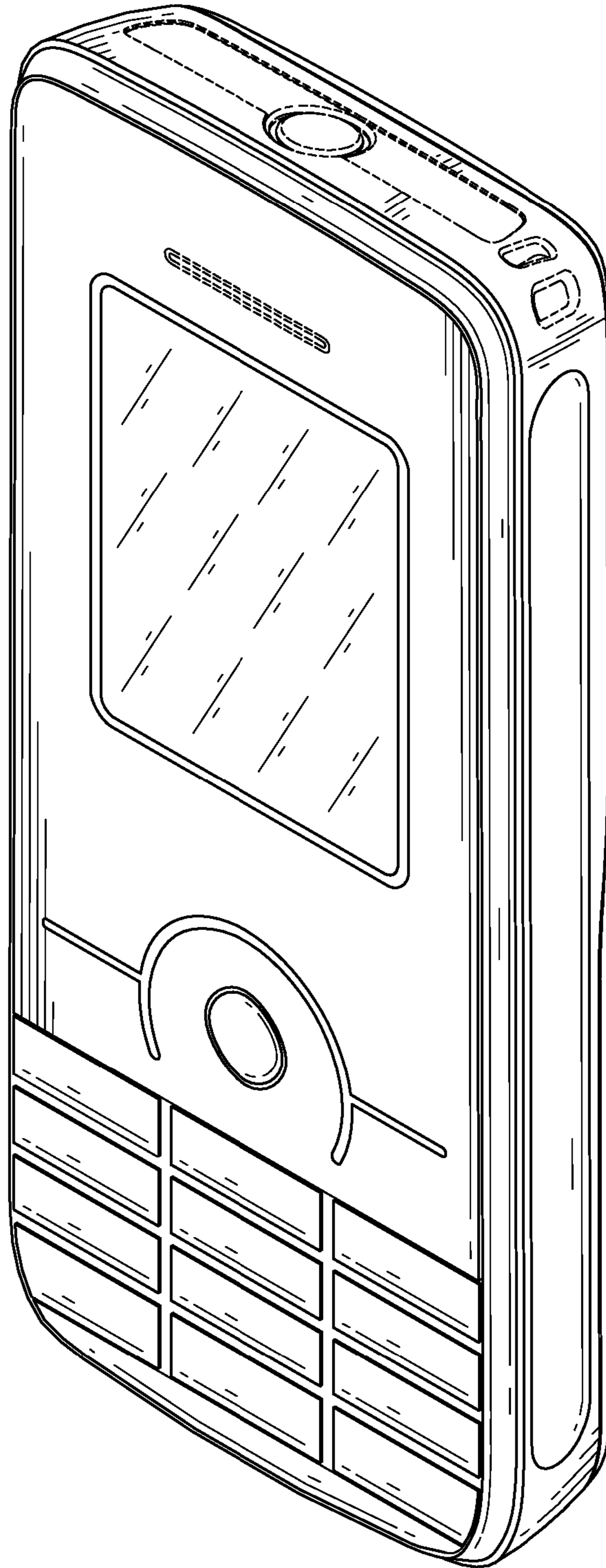


FIG. 1

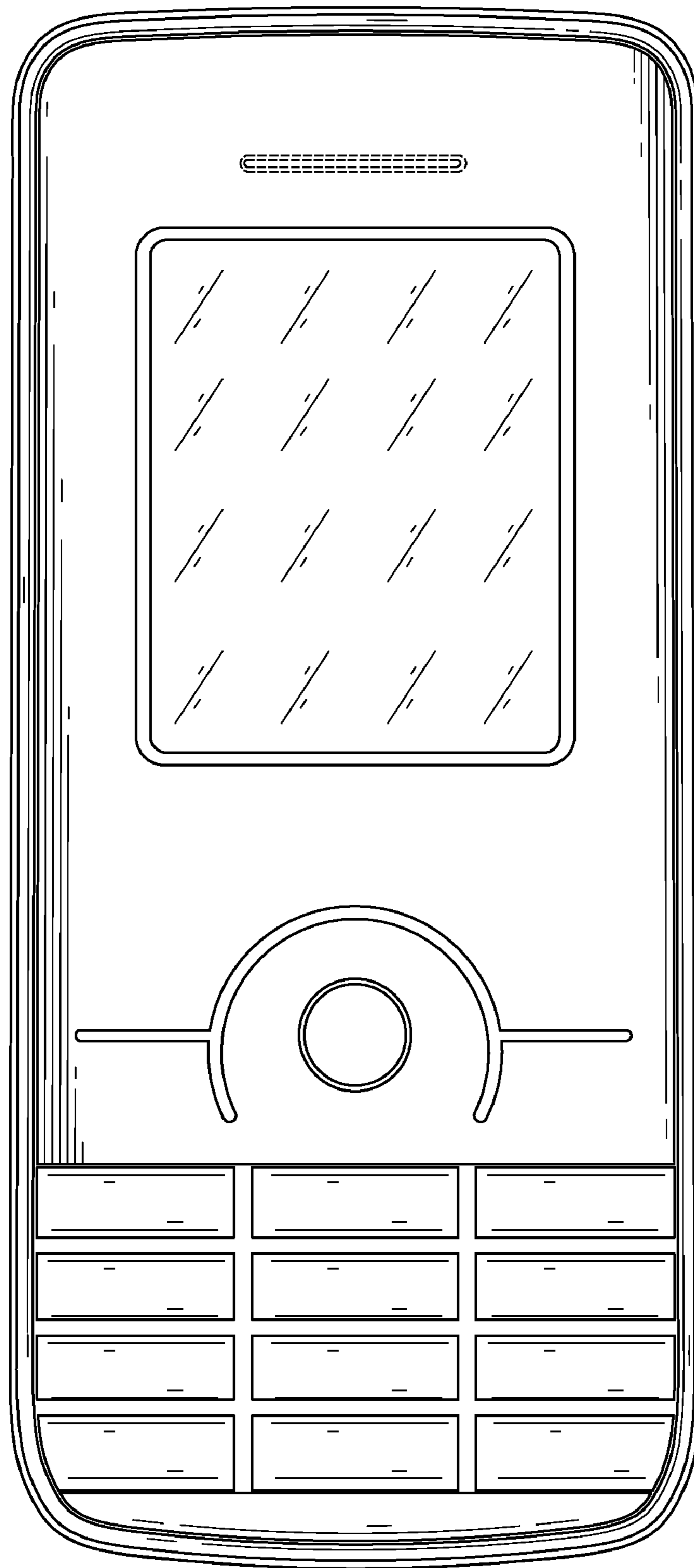


FIG. 2

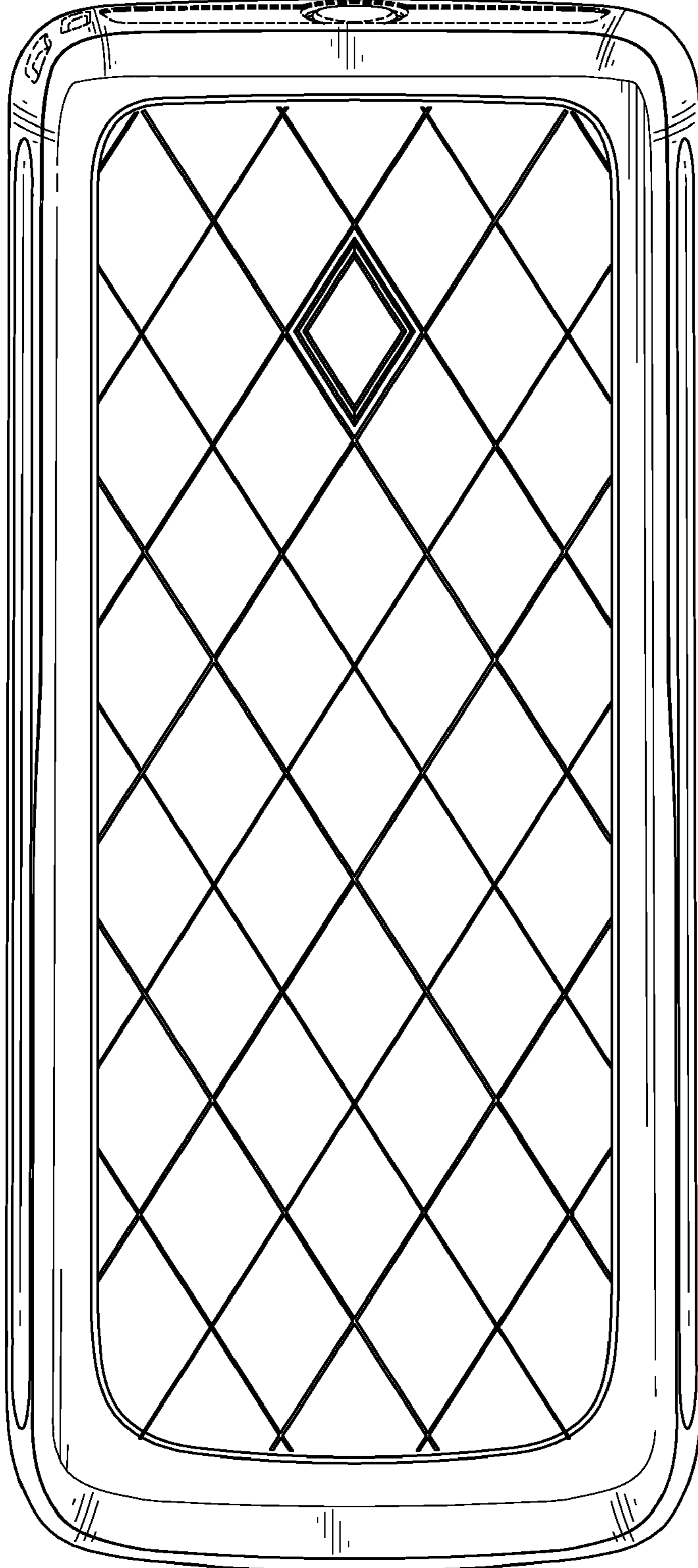


FIG. 3

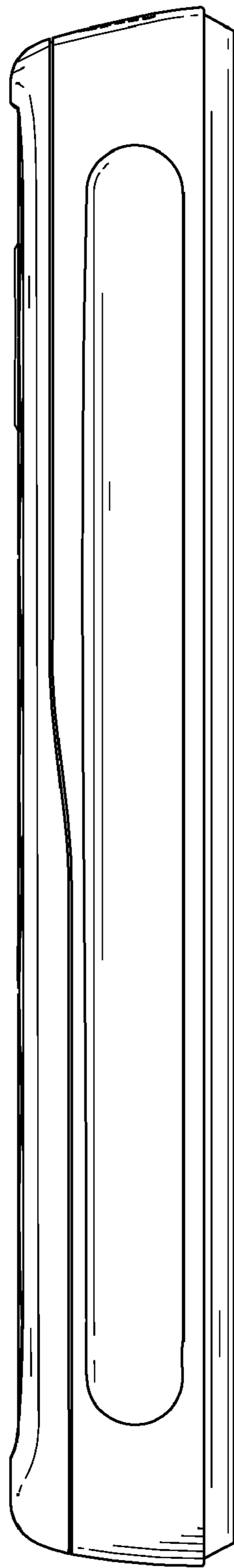


FIG. 4

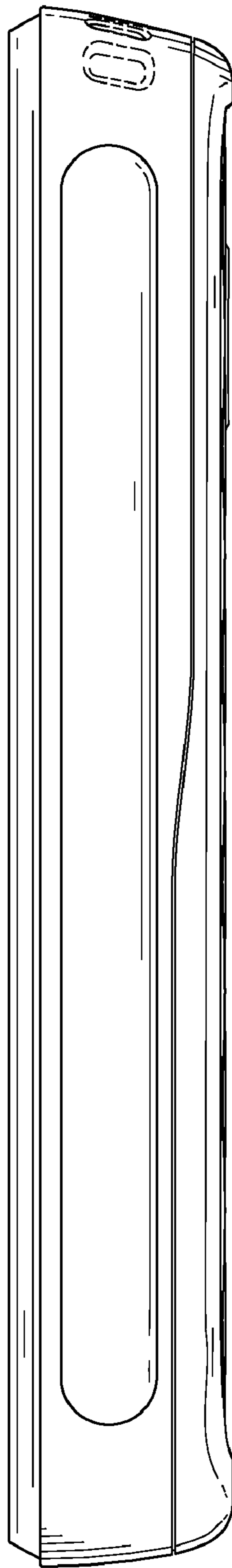


FIG. 5

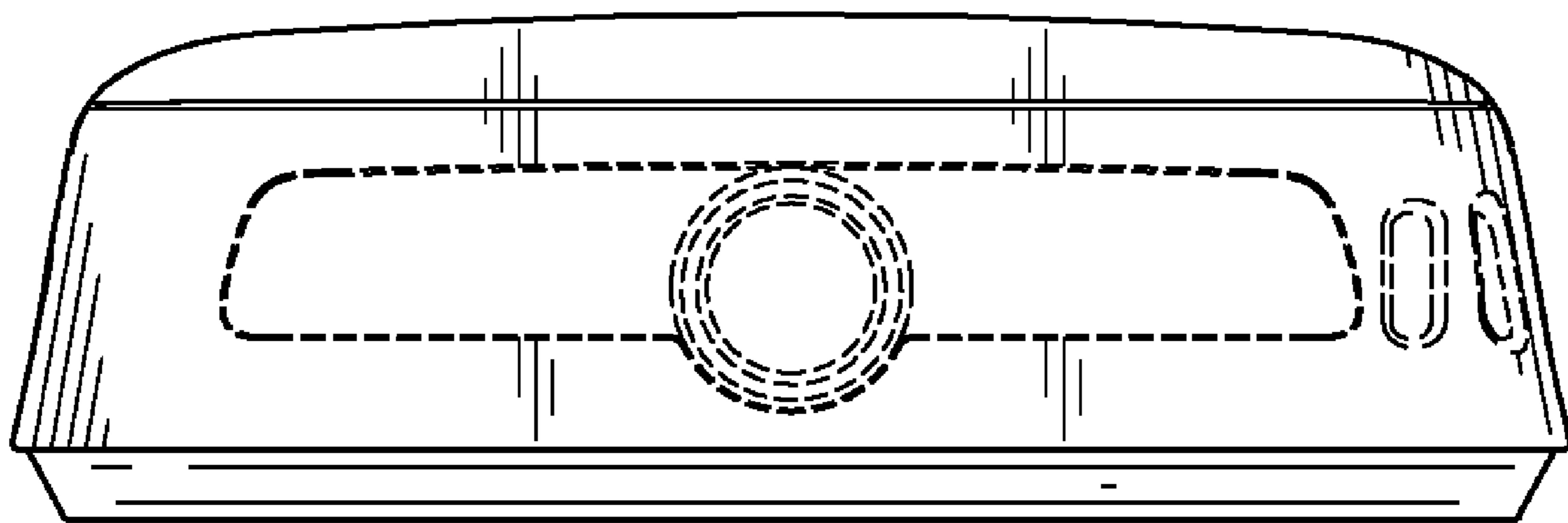


FIG. 6



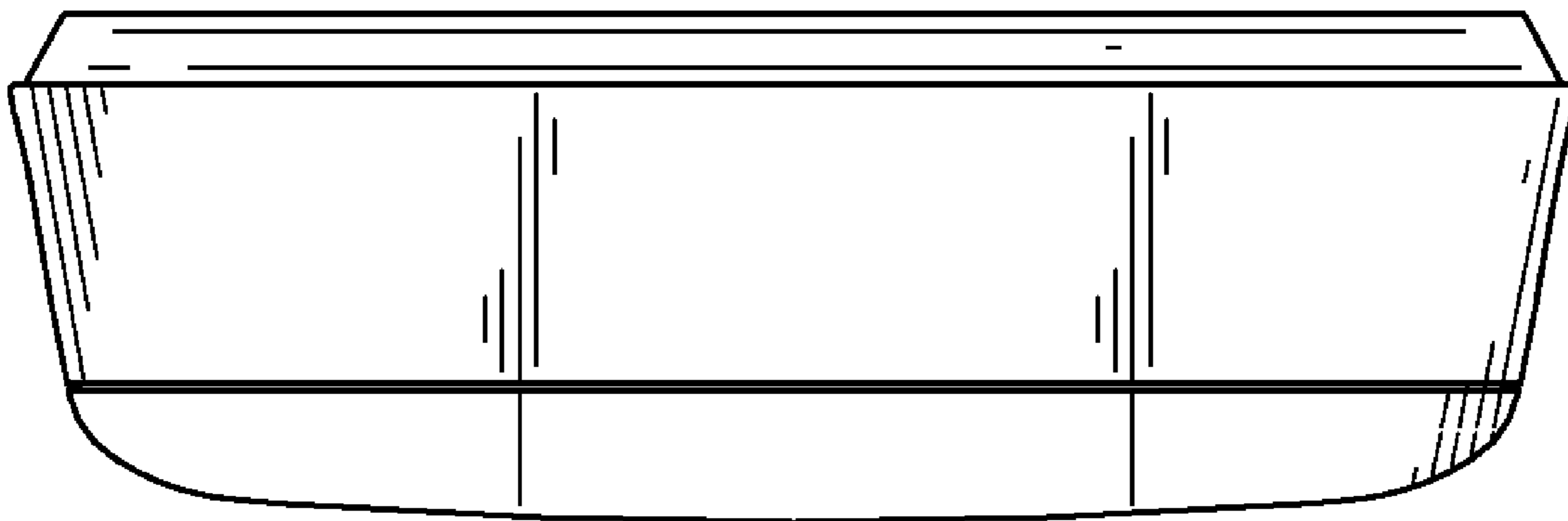


FIG. 7