



US00D608748S

(12) **United States Design Patent**
Jeon et al.

(10) **Patent No.:** **US D608,748 S**
(45) **Date of Patent:** **** Jan. 26, 2010**

(54) **HOUSING FOR A COMMUNICATION DEVICE**

Primary Examiner—Jeffrey D Asch
Assistant Examiner—Bridget L Eland

(75) Inventors: **Youngjun (Jun) Jeon**, Seoul (KR); **Kio Lee**, Seoul (KR)

(57) **CLAIM**

The ornamental design for a housing for a communication device, as shown and described.

(73) Assignee: **Motorola, Inc.**, Schaumburg, IL (US)

(**) Term: **14 Years**

DESCRIPTION

(21) Appl. No.: **29/322,533**

(22) Filed: **Aug. 6, 2008**

Related U.S. Application Data

(62) Division of application No. 29/279,854, filed on May 9, 2007, now Pat. No. Des. 576,137.

FIG. 1 is a perspective view of a first embodiment of housing for a communication device;

FIG. 2 is a front view of the first embodiment thereof;

FIG. 3 is a rear view of the first embodiment thereof;

FIG. 4 is a first side view of the first embodiment thereof;

FIG. 5 is a second side view of the first embodiment thereof;

FIG. 6 is a top view of the first embodiment thereof; and

FIG. 7 is a bottom view of the first embodiment thereof.

FIG. 8 is a perspective view of a second embodiment of housing for a communication device;

FIG. 9 is a front view of the second embodiment thereof;

FIG. 10 is a rear view of the second embodiment thereof;

FIG. 11 is a first side view of the second embodiment thereof;

FIG. 12 is a second side view of the second embodiment thereof;

FIG. 13 is a top view of the second embodiment thereof; and,

FIG. 14 is a bottom view of the second embodiment thereof.

The broken lines immediately adjacent the shaded areas represent the bounds of the embodiment in which they are shown while all other broken lines are directed to environment and are for illustrative purposes only; the broken lines form no part of the embodiment in which they are shown.

(51) **LOC (9) Cl.** **14-03**

(52) **U.S. Cl.** **D14/138 AB**

(58) **Field of Classification Search** D14/138 AB, D14/138 R, 138 AD, 138 AC, 138 C, 138 G, D14/247-248, 138 AA, 137, 147, 218, 341-347, D14/191, 203.1-203.8, 496; D10/65, 78, D10/104; D13/168; D18/7; 455/566, 575.1, 455/575.3

See application file for complete search history.

(56) **References Cited**

U.S. PATENT DOCUMENTS

D493,440 S * 7/2004 Chou et al. D14/138 AB

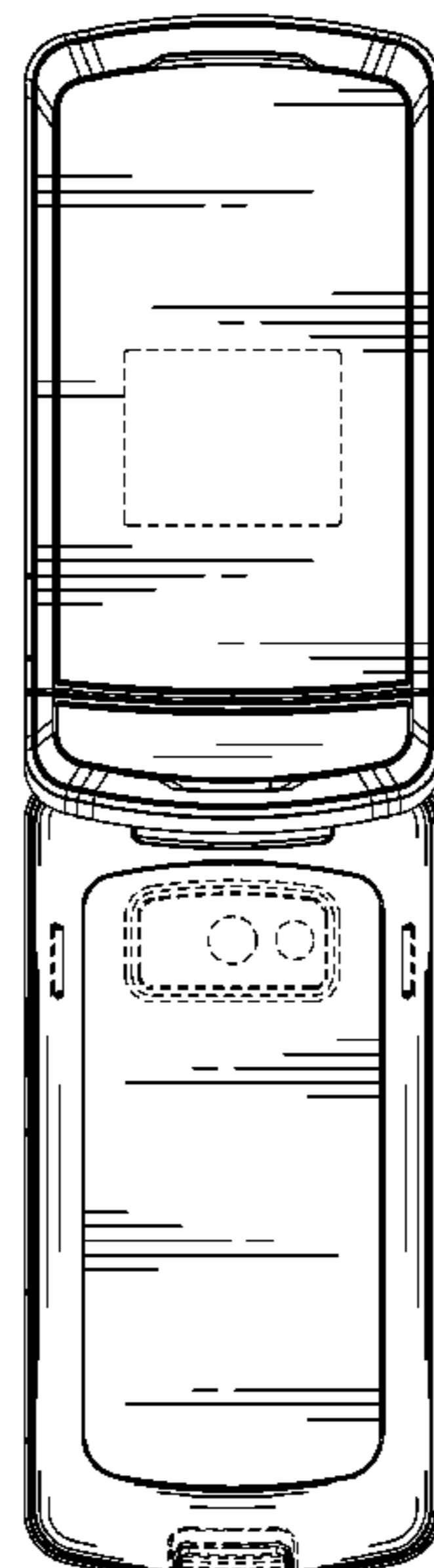
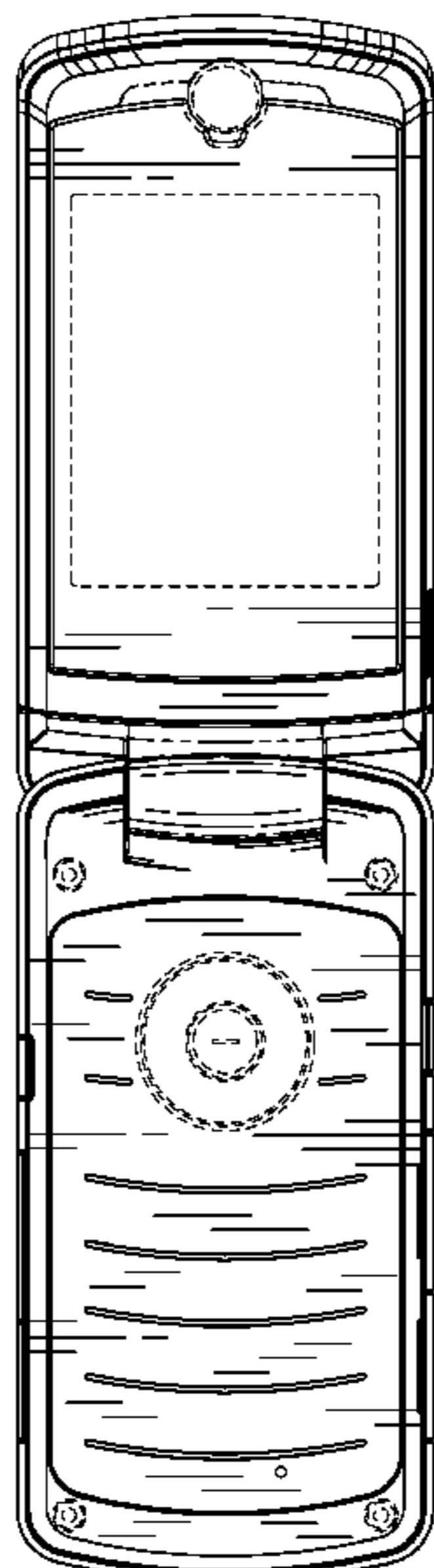
(Continued)

OTHER PUBLICATIONS

Motorola W220, announced Feb. 2006, [online], [retrieved on Mar. 10, 2008]. Retrieved from Internet ,<URL: <http://www.gsmarena.com>>.*

(Continued)

1 Claim, 8 Drawing Sheets



US D608,748 S

Page 2

U.S. PATENT DOCUMENTS

D493,789 S * 8/2004 Takuma D14/345
D502,932 S * 3/2005 Minamide D14/138 AC
D520,980 S * 5/2006 Taniyama et al. D14/138 AB
D563,376 S * 3/2008 Arnholt et al. D14/138 AB
D576,137 S * 9/2008 Jeon et al. D14/138 AB
D579,895 S * 11/2008 Yoshihara et al. D14/138 AB
D583,794 S * 12/2008 Lee et al. D14/138 AB
D586,802 S * 2/2009 Wun et al. D14/345
D587,235 S * 2/2009 Hanafusa et al. D14/138 AB
D591,258 S * 4/2009 Wilson D14/138 AB
D591,702 S * 5/2009 Misawa D14/138 AB
D592,627 S * 5/2009 Misawa D14/138 AB
D593,053 S * 5/2009 Kim et al. D14/138 AB
D593,064 S * 5/2009 Sutherland et al. ... D14/138 AB
D593,520 S * 6/2009 Misawa D14/138 AB
D593,981 S * 6/2009 Boucquey et al. D14/138 AB
D596,600 S * 7/2009 Wun et al. D14/138 AB

2006/0098813 A1* 5/2006 Takamori et al. 379/433.13
2006/0146030 A1* 7/2006 Kim 345/169
2007/0015551 A1* 1/2007 Iwama et al. 455/575.3
2007/0167197 A1* 7/2007 Fuke et al. 455/575.1
2007/0178949 A1* 8/2007 Sato et al. 455/575.3
2008/0019502 A1* 1/2008 Emmert et al. 379/433.07

OTHER PUBLICATIONS

Motorola E1070, announced 4th quarter 2005, [online], [retrieved on Mar. 10, 2008]. Retrieved from Internet ,<URL: <http://www.gsmarena.com>>.*

Sony Ericsson W508, announced Jan. 2009, [online], [retrieved on Aug. 10, 2009]. Retrieved from Internet ,<URL: <http://www.gsmarena.com>>.*

i-mate Ultimate 9150, announced Feb. 2007, [online], [retrieved on Aug. 10, 2009]. Retrieved from Internet ,<URL: <http://www.gsmarena.com>>.*

* cited by examiner

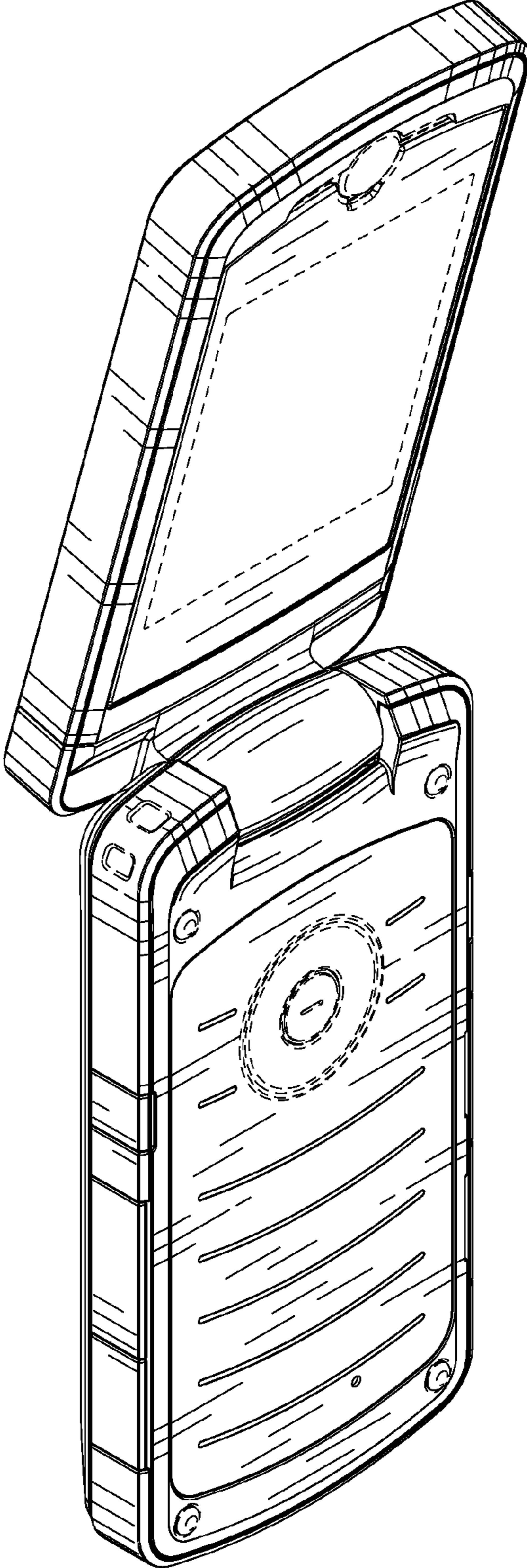


FIG. 1

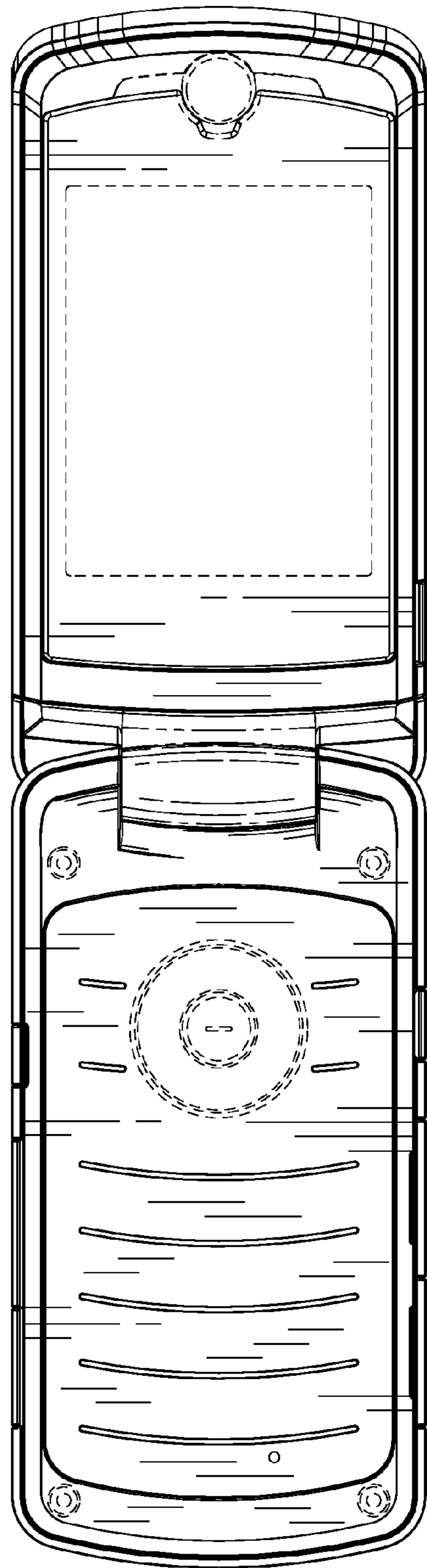


FIG. 2

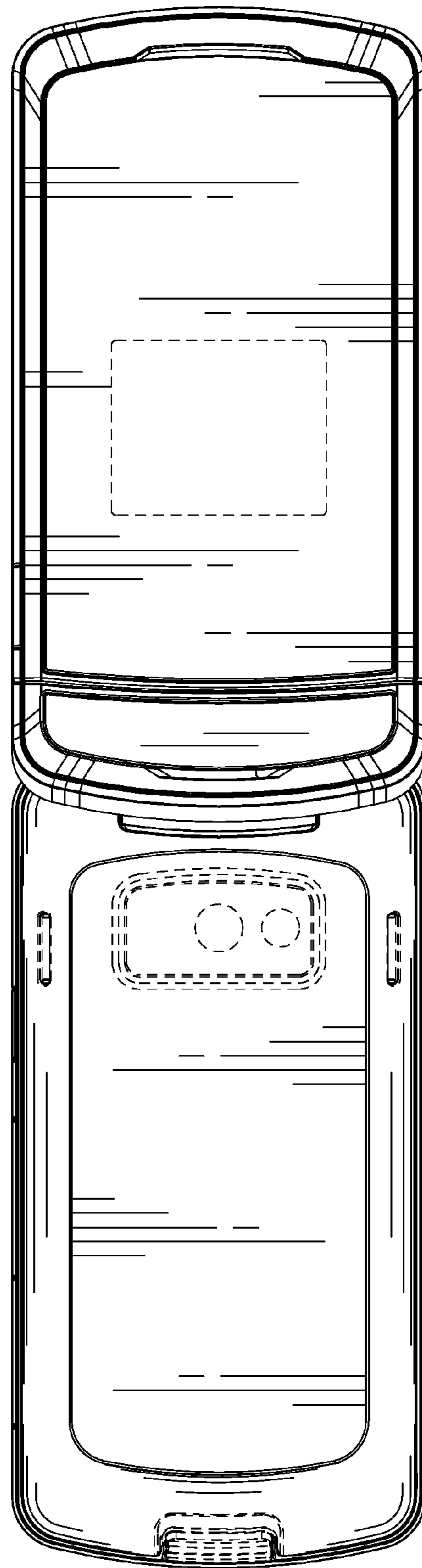


FIG. 3

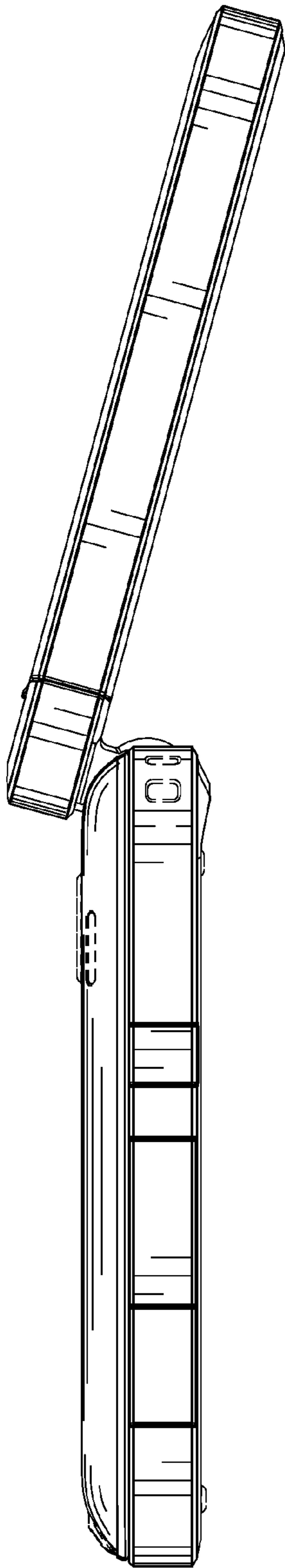


FIG. 4

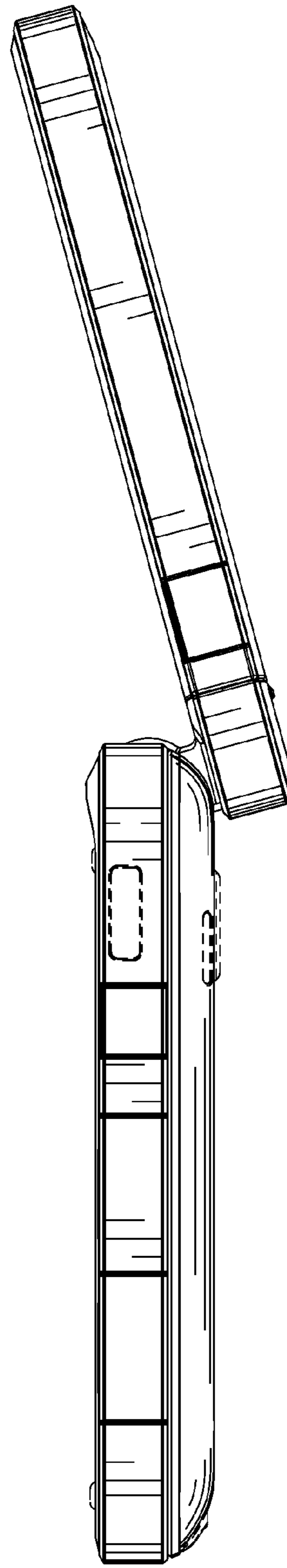


FIG. 5

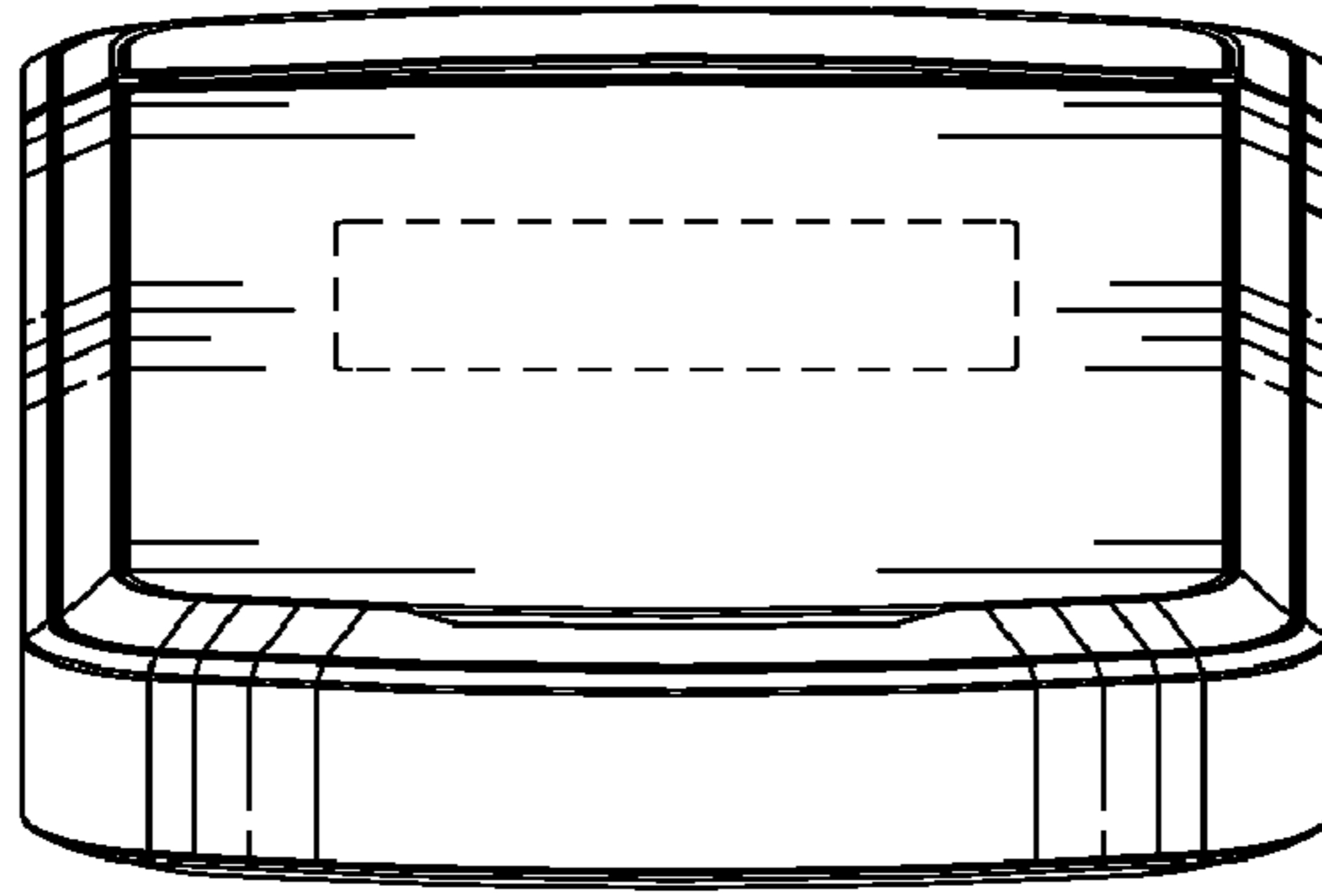


FIG. 6

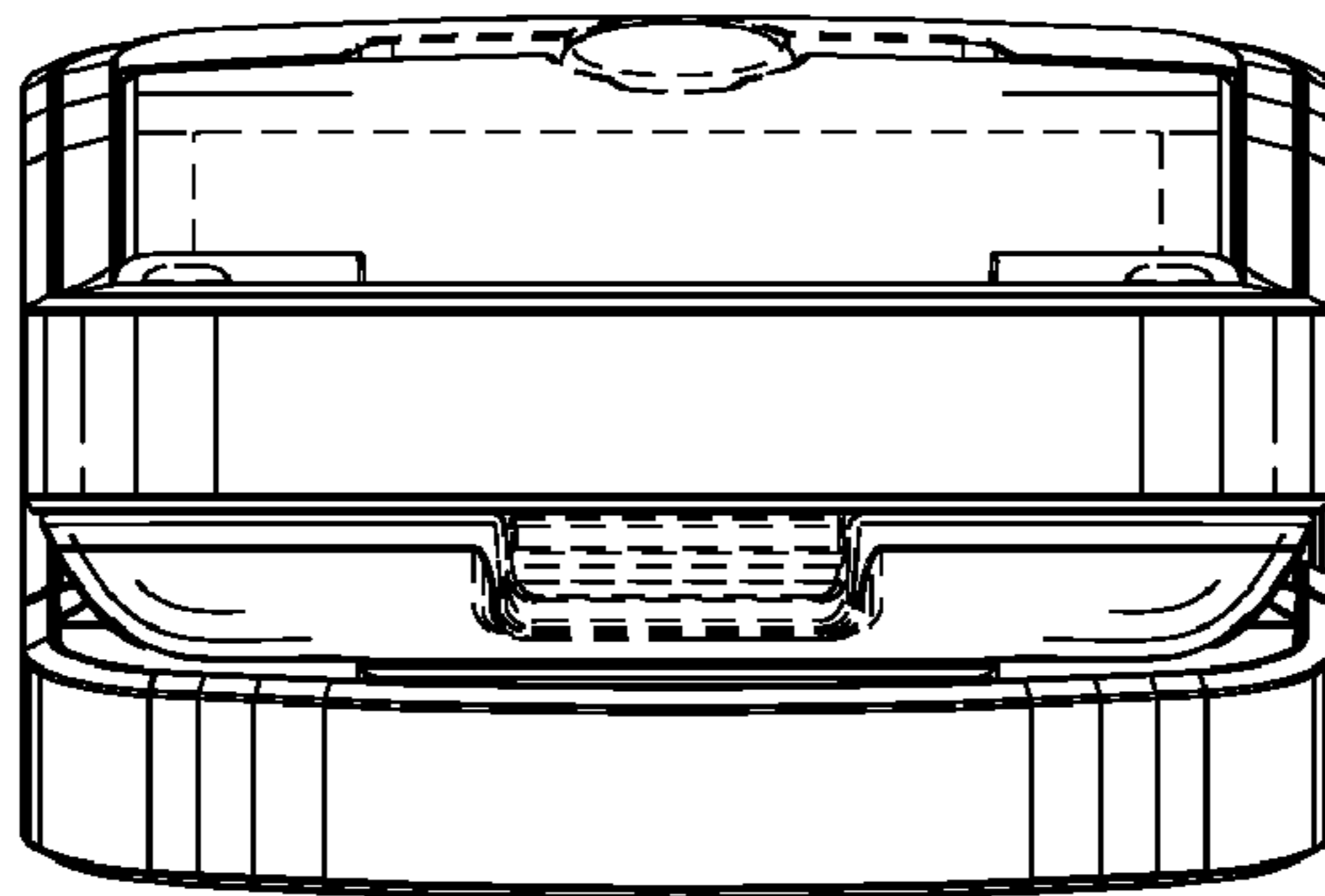


FIG. 7

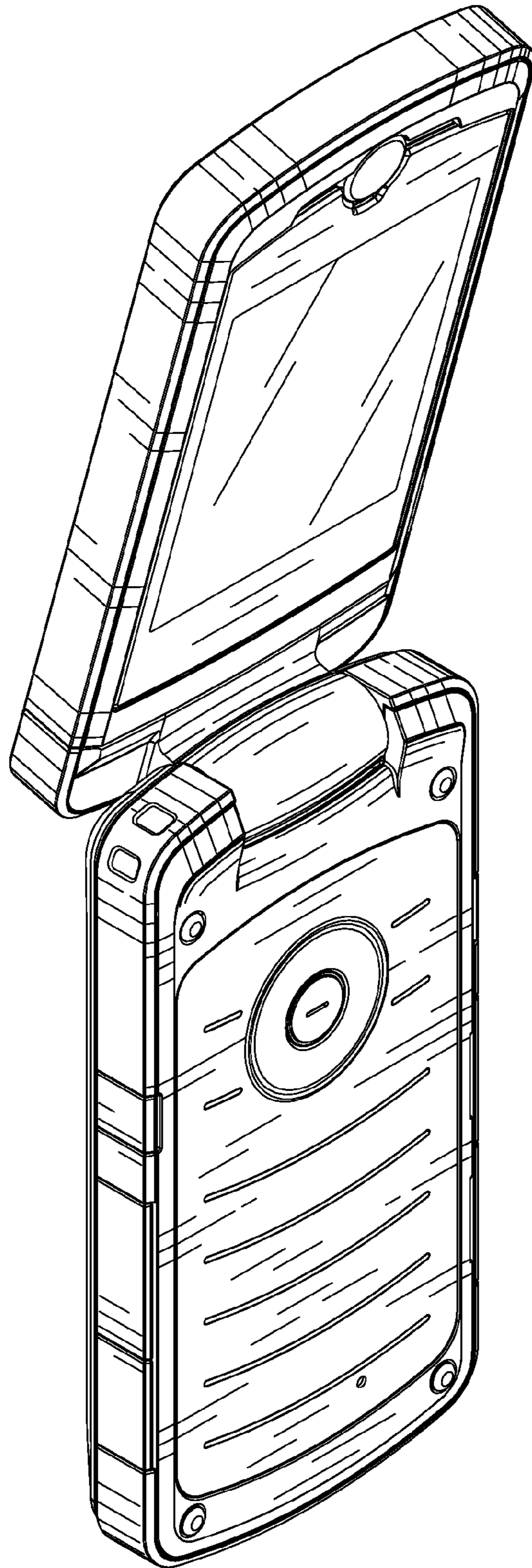


FIG. 8

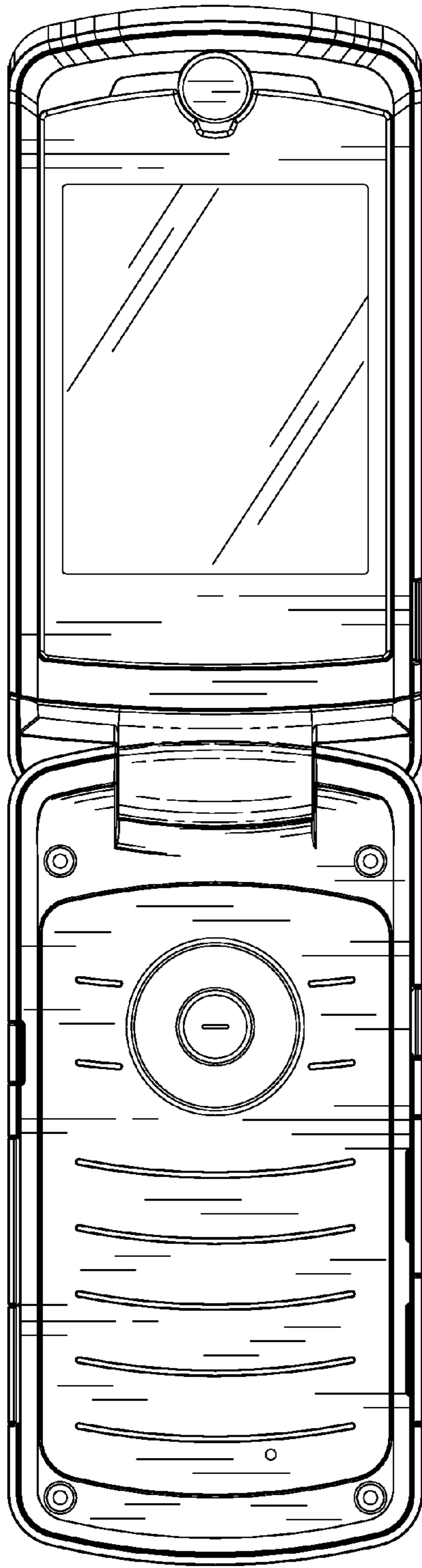


FIG. 9

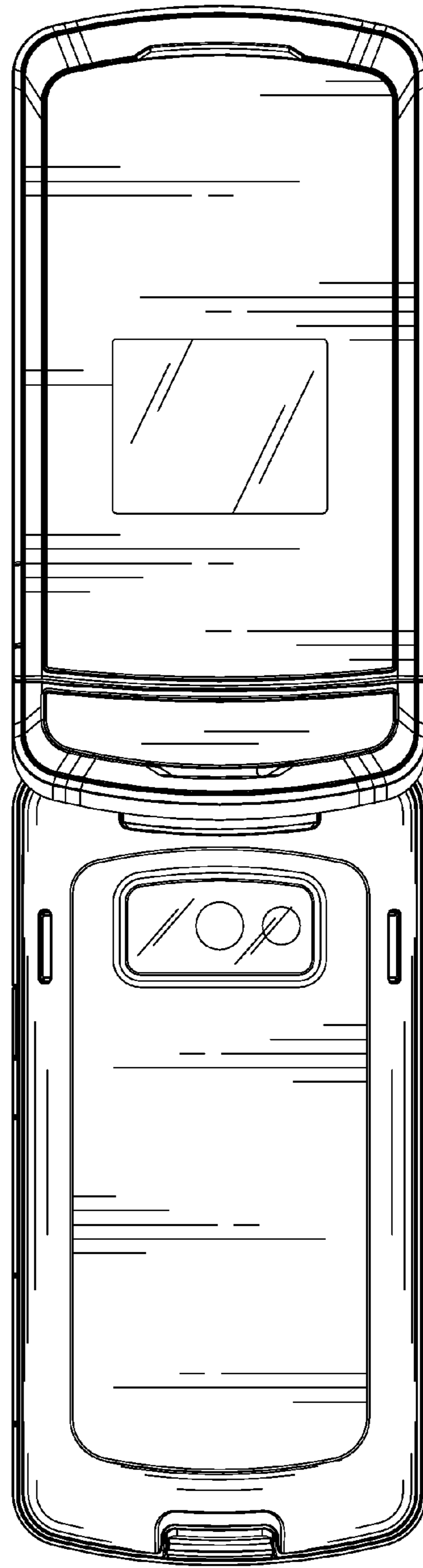


FIG. 10

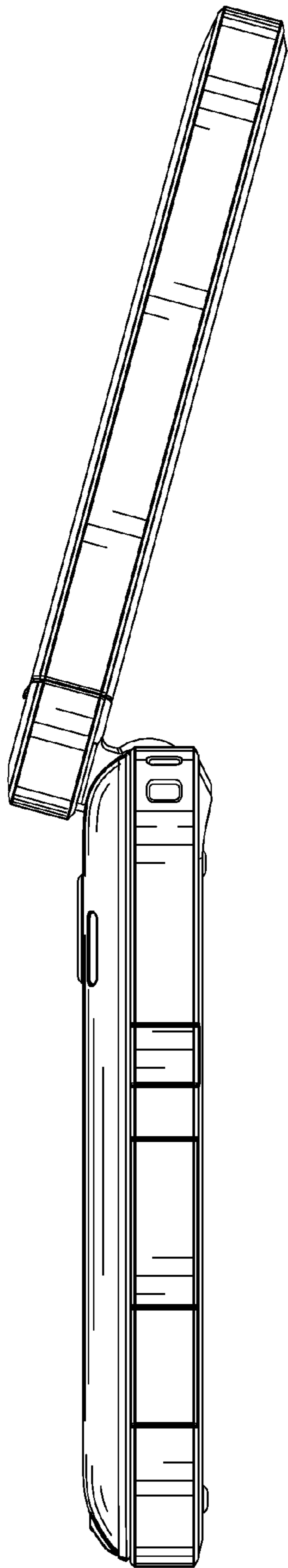


FIG. 11

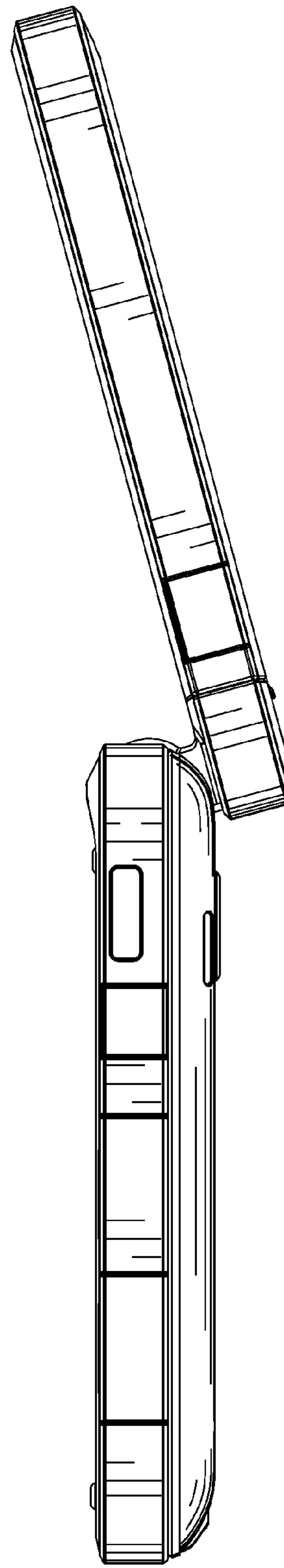


FIG. 12

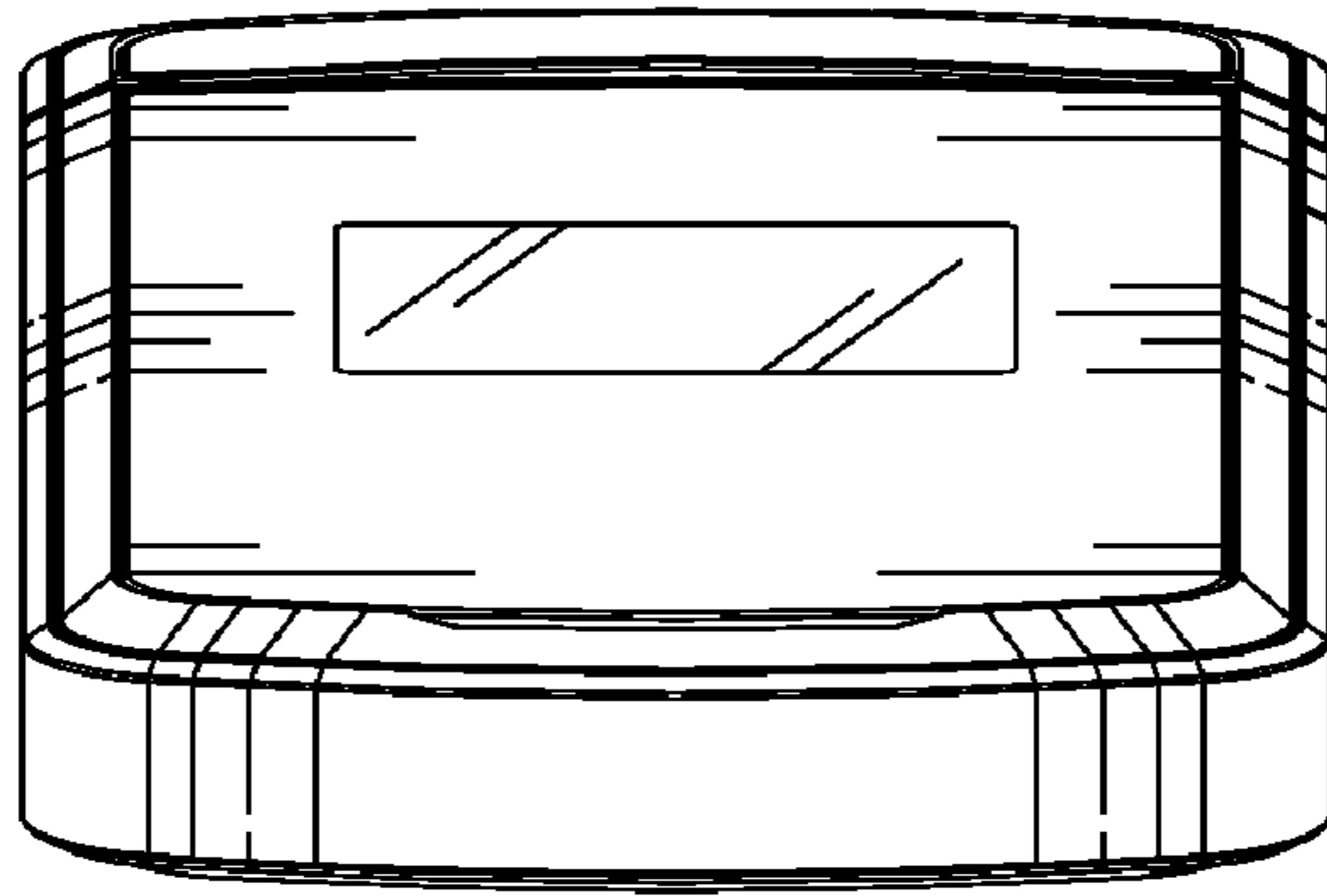


FIG. 13

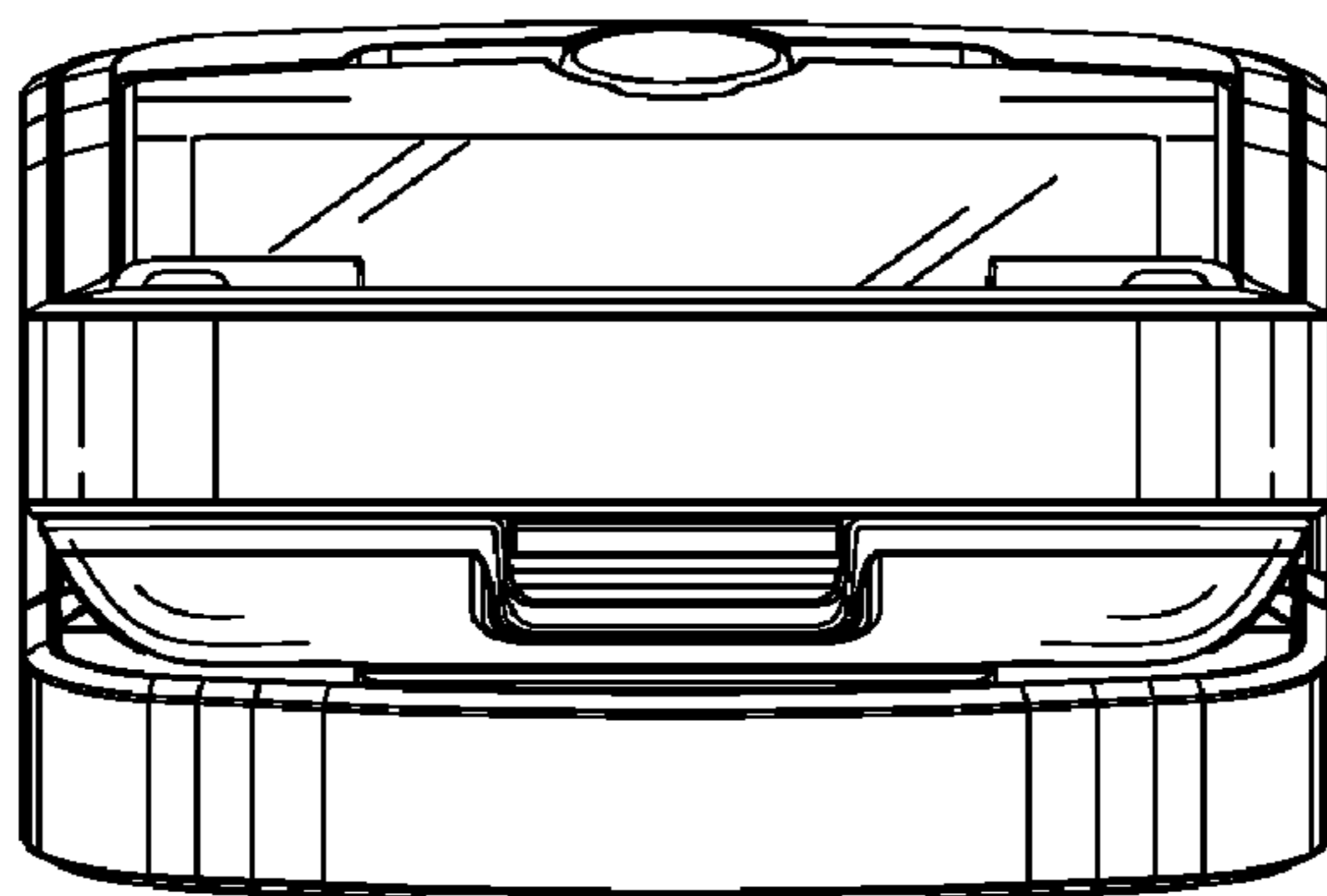


FIG. 14