



US00D608746S

(12) **United States Design Patent**
Tu

(10) **Patent No.:** **US D608,746 S**
(45) **Date of Patent:** **** Jan. 26, 2010**

(54) **MOBILE DIGITAL TV SET**

(76) Inventor: **Zhiqun Tu**, Room 602, Back Block, 37
Haizhu Central Road, Guangzhou,
Guangdong (CN)

(**) Term: **14 Years**

(21) Appl. No.: **29/338,561**

(22) Filed: **Jun. 15, 2009**

(30) **Foreign Application Priority Data**

Mar. 19, 2009 (CN) 2009 3 0070776

(51) **LOC (9) Cl.** **14-03**

(52) **U.S. Cl.** **D14/126**

(58) **Field of Classification Search** D14/125-134,
D14/239, 371, 136, 374-377, 440, 450, 448,
D14/336, 342; 312/7.2; 348/836, 838, 180,
348/184, 325, 739; 341/12; 248/917-924,
248/465; 345/104, 133, 156, 168, 87, 173;
720/605, 669, 600, 655; 369/99, 197; 455/344,
455/347; D21/329, 515, 577, 622, 333, 433,
D21/448, 452, 450, 331; D6/477, 479, 300;
273/148 B; 446/484, 175, 356; D10/15,
D10/26

See application file for complete search history.

(56) **References Cited**

U.S. PATENT DOCUMENTS

D388,077 S * 12/1997 Starck D14/126
D438,849 S * 3/2001 Adachi et al. D14/126
D462,074 S * 8/2002 Kim D14/375
D483,364 S * 12/2003 Olson et al. D14/375

D495,707 S * 9/2004 Hoehn D14/374
D519,949 S * 5/2006 Lin D14/126
D524,767 S * 7/2006 Imboden et al. D14/126
D545,777 S * 7/2007 Kim D14/126
D560,626 S * 1/2008 Lee D14/126
D561,129 S * 2/2008 Hsiung D14/126
D571,747 S * 6/2008 Chu D14/126
D572,675 S * 7/2008 Qiu et al. D14/126
D595,250 S * 6/2009 Chiu D14/126

* cited by examiner

Primary Examiner—Raphael Barkai

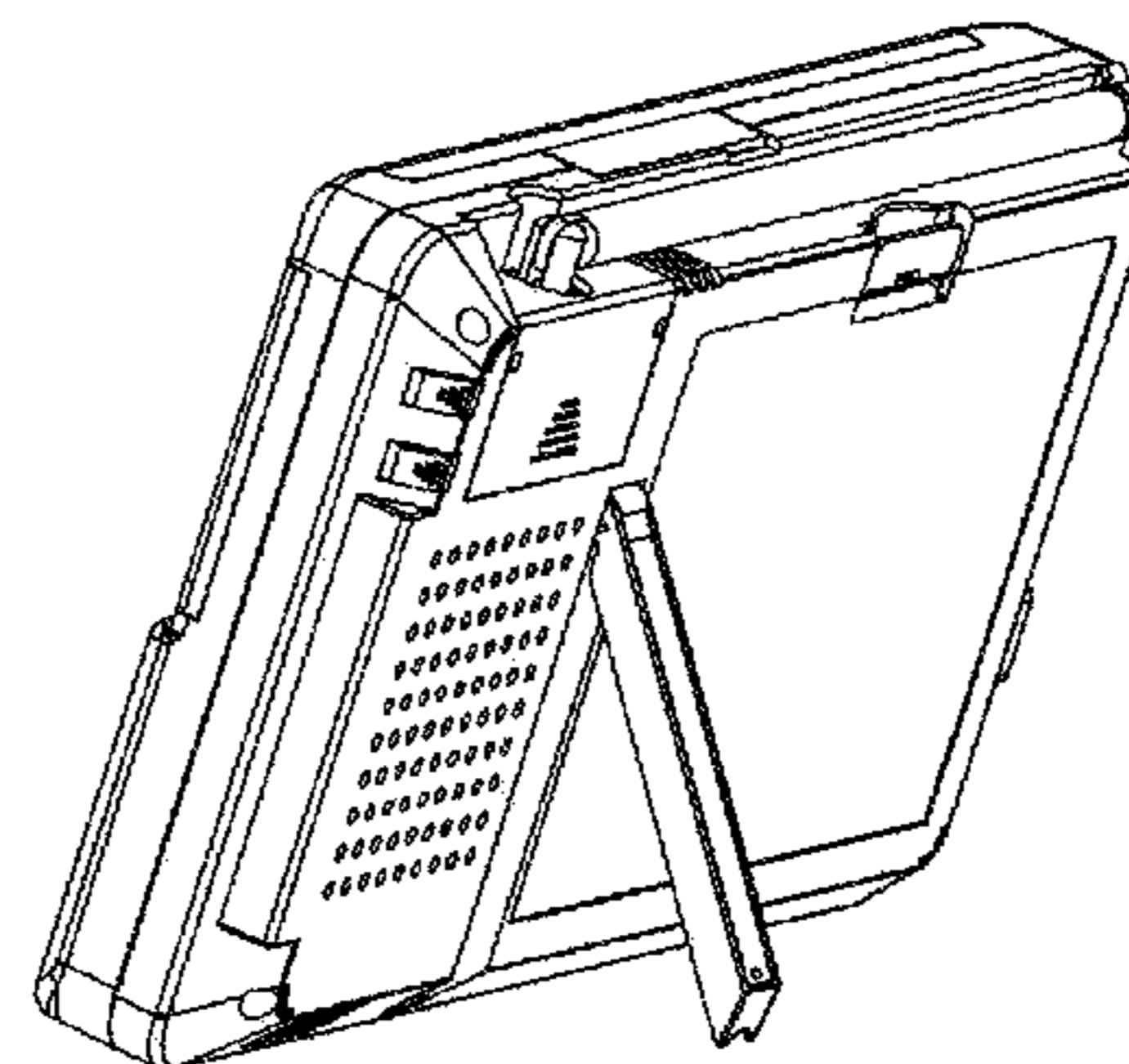
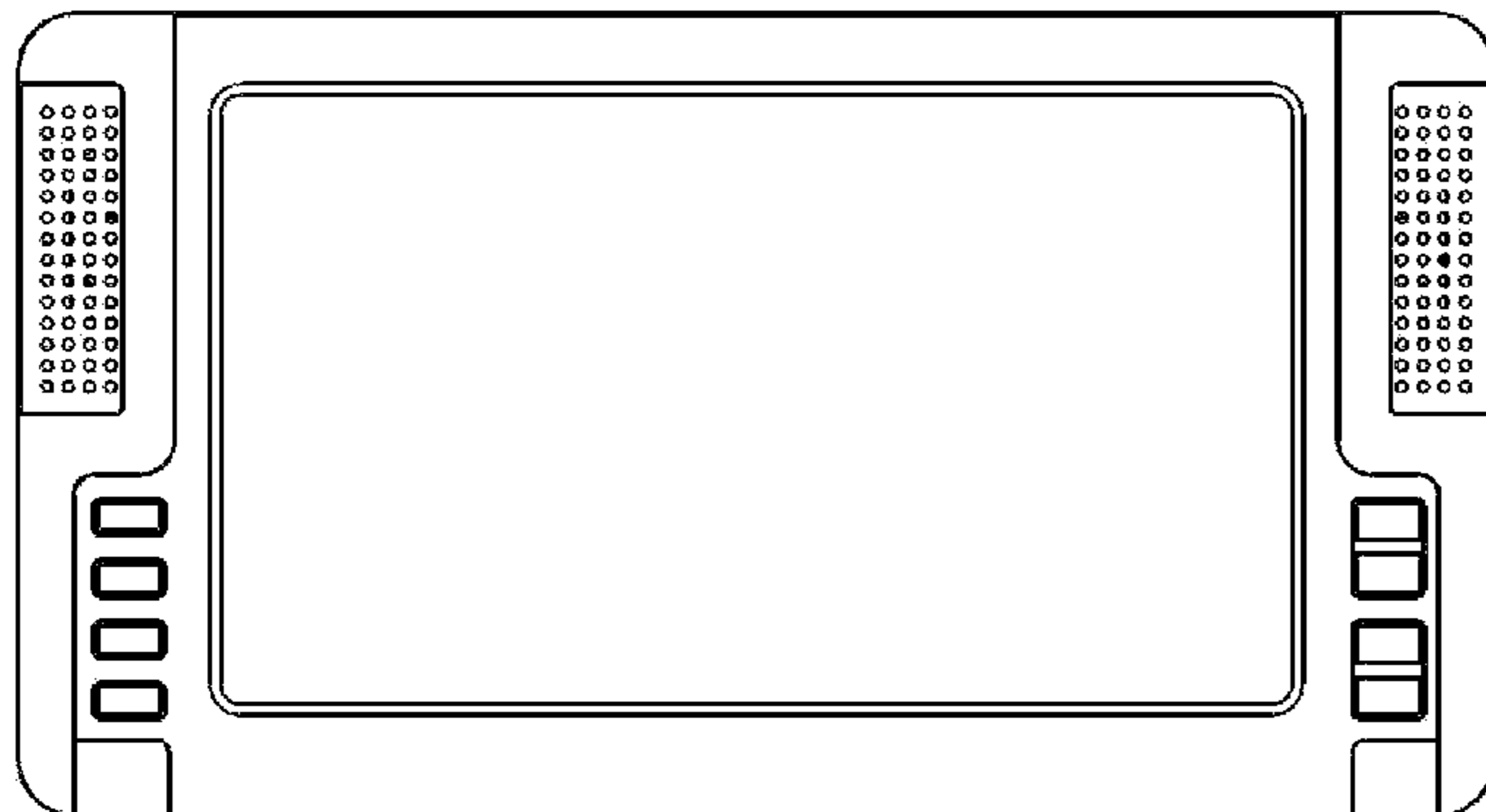
(57) **CLAIM**

I claim the ornamental design for a mobile digital TV set, as shown.

DESCRIPTION

FIG. 1 is a front view of the mobile digital TV set;
FIG. 2 is a back view of the mobile digital TV set;
FIG. 3 is a top view of the mobile digital TV set;
FIG. 4 is a bottom view of the mobile digital TV set;
FIG. 5 is a right view of the mobile digital TV set;
FIG. 6 is a left view of the mobile digital TV set;
FIG. 7 is a front perspective view with a supporting leg deployed;
FIG. 8 is a back perspective view with the supporting leg deployed; and,
FIG. 9 is a back perspective view without the supporting leg deployed.

1 Claim, 3 Drawing Sheets



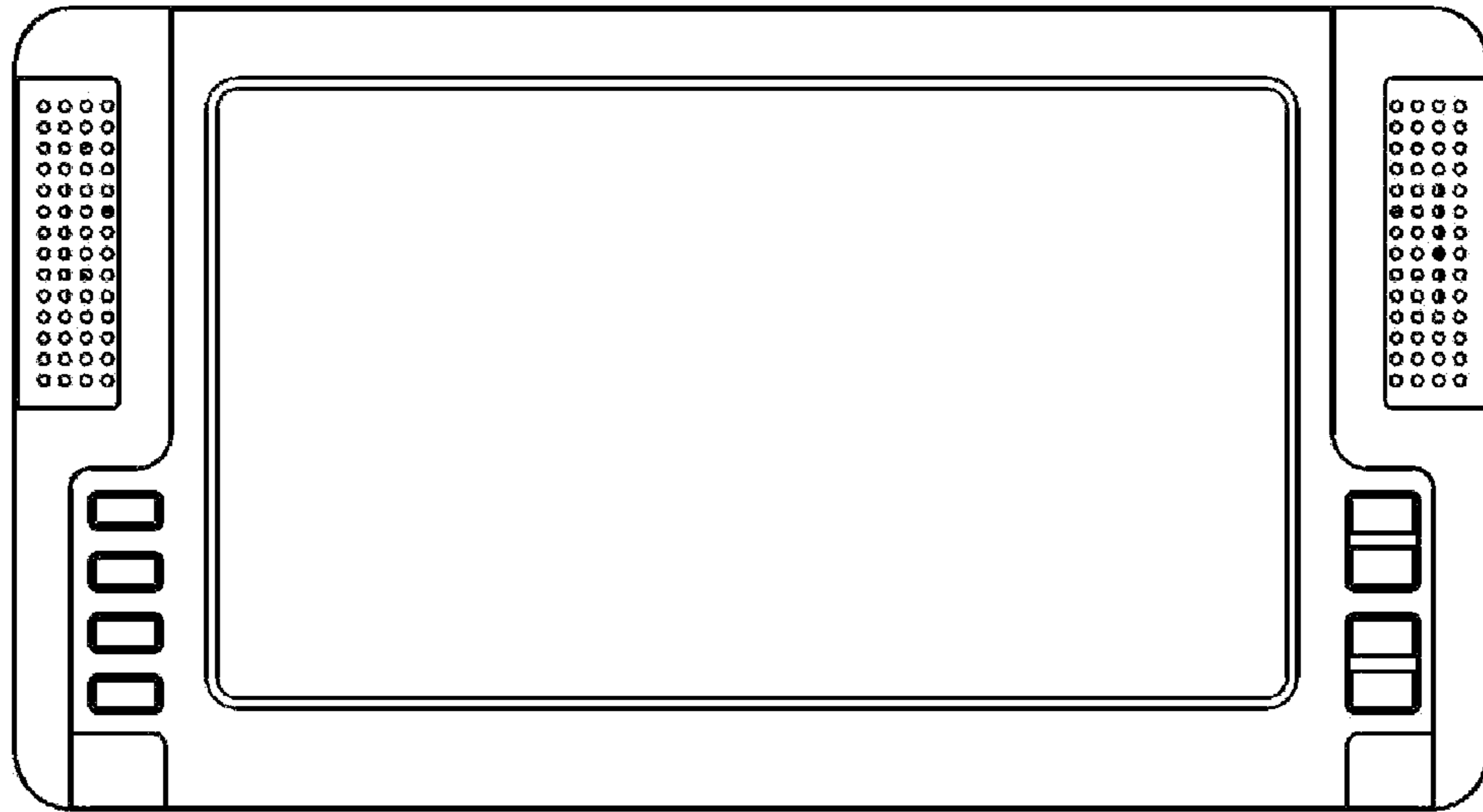


Figure 1

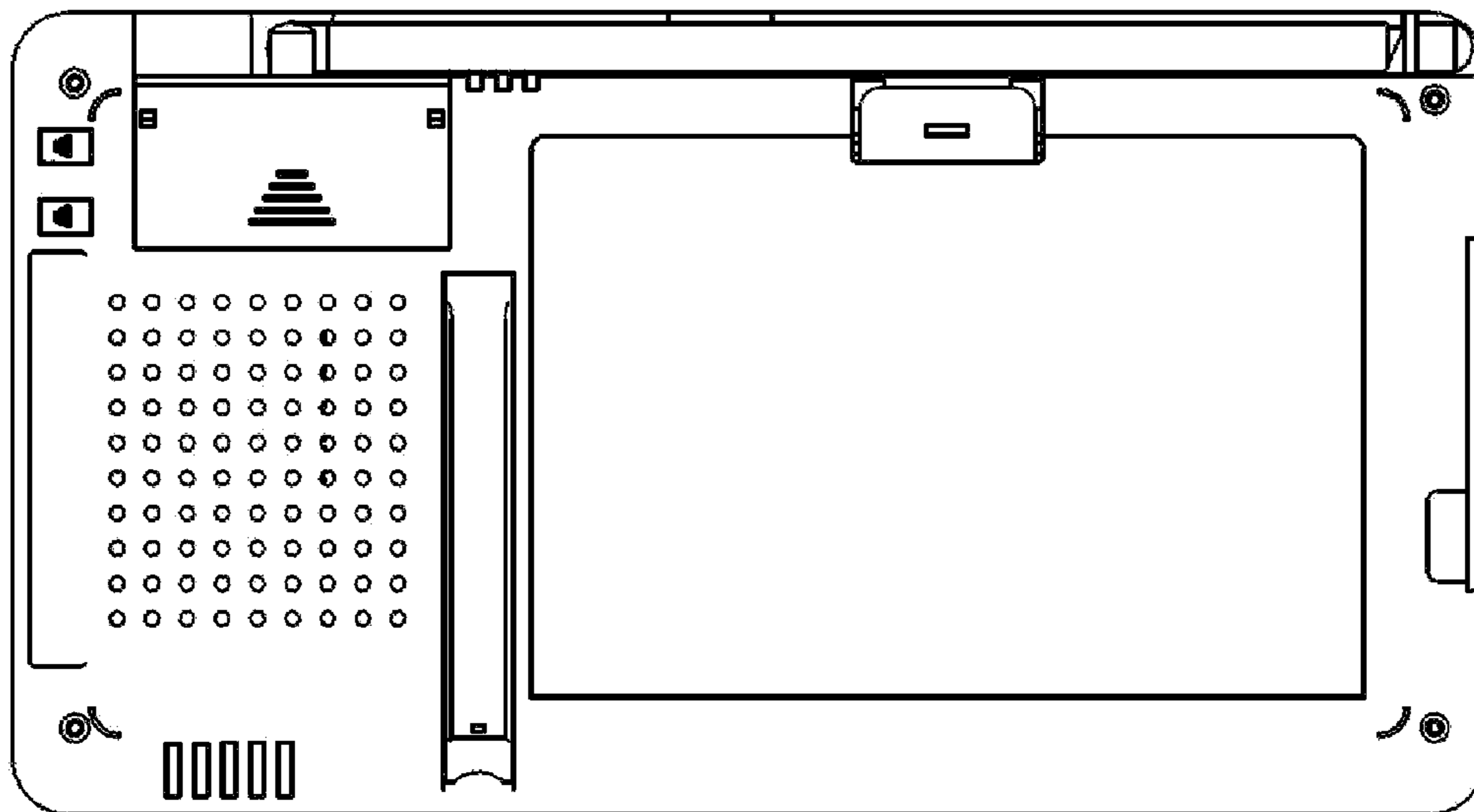


Figure 2

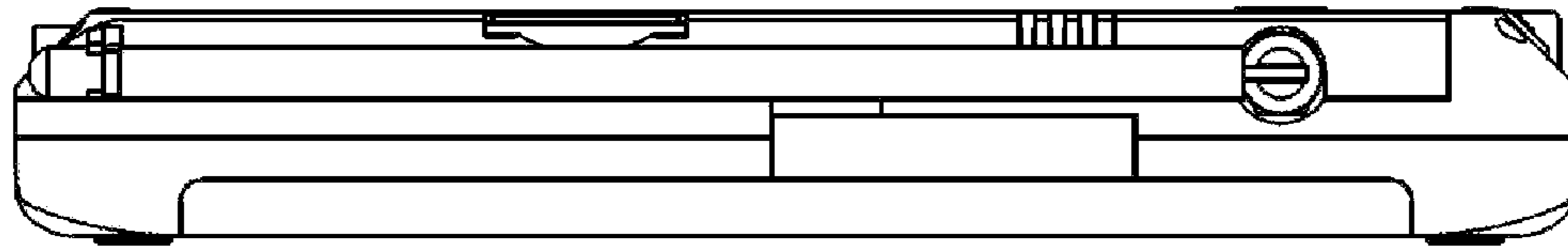


Figure 3

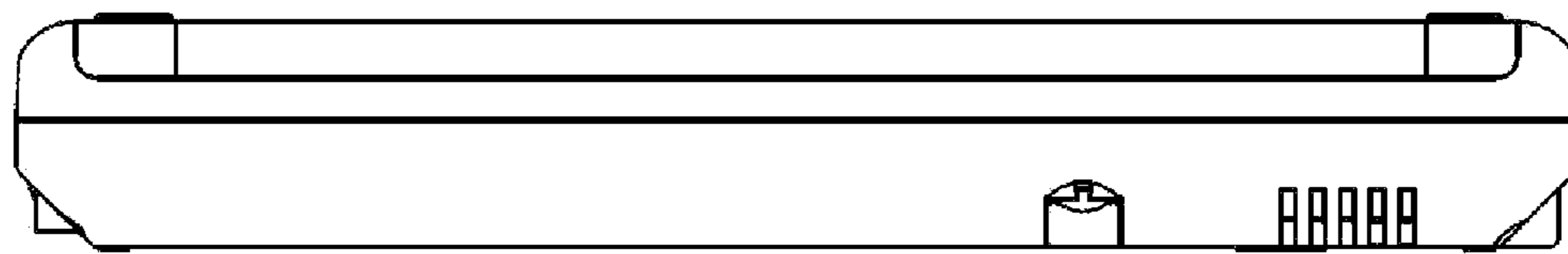


Figure 4

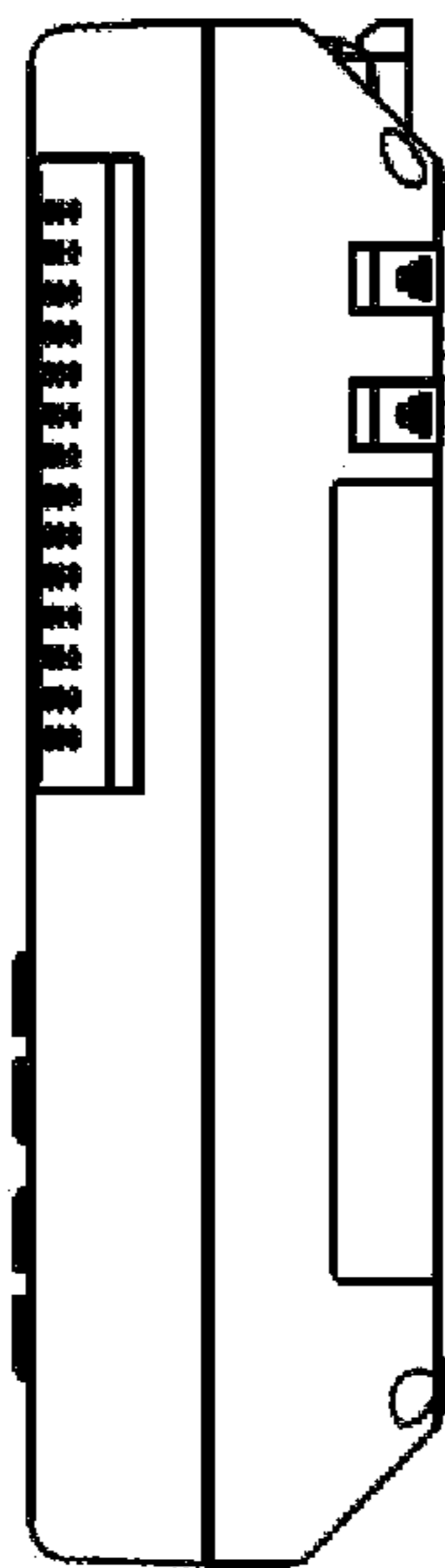


Figure 5

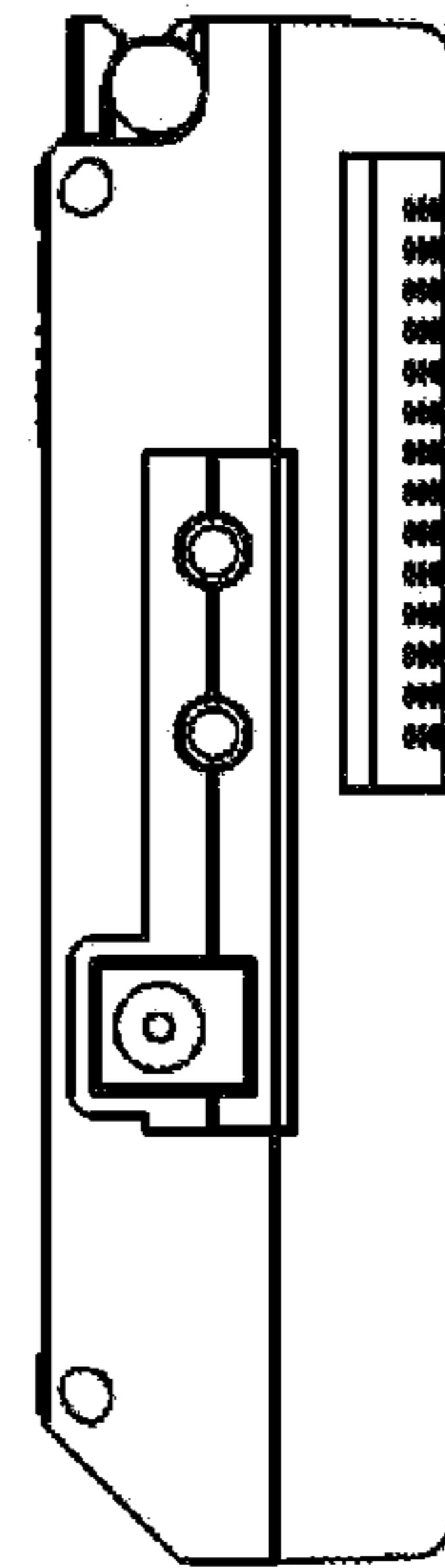


Figure 6

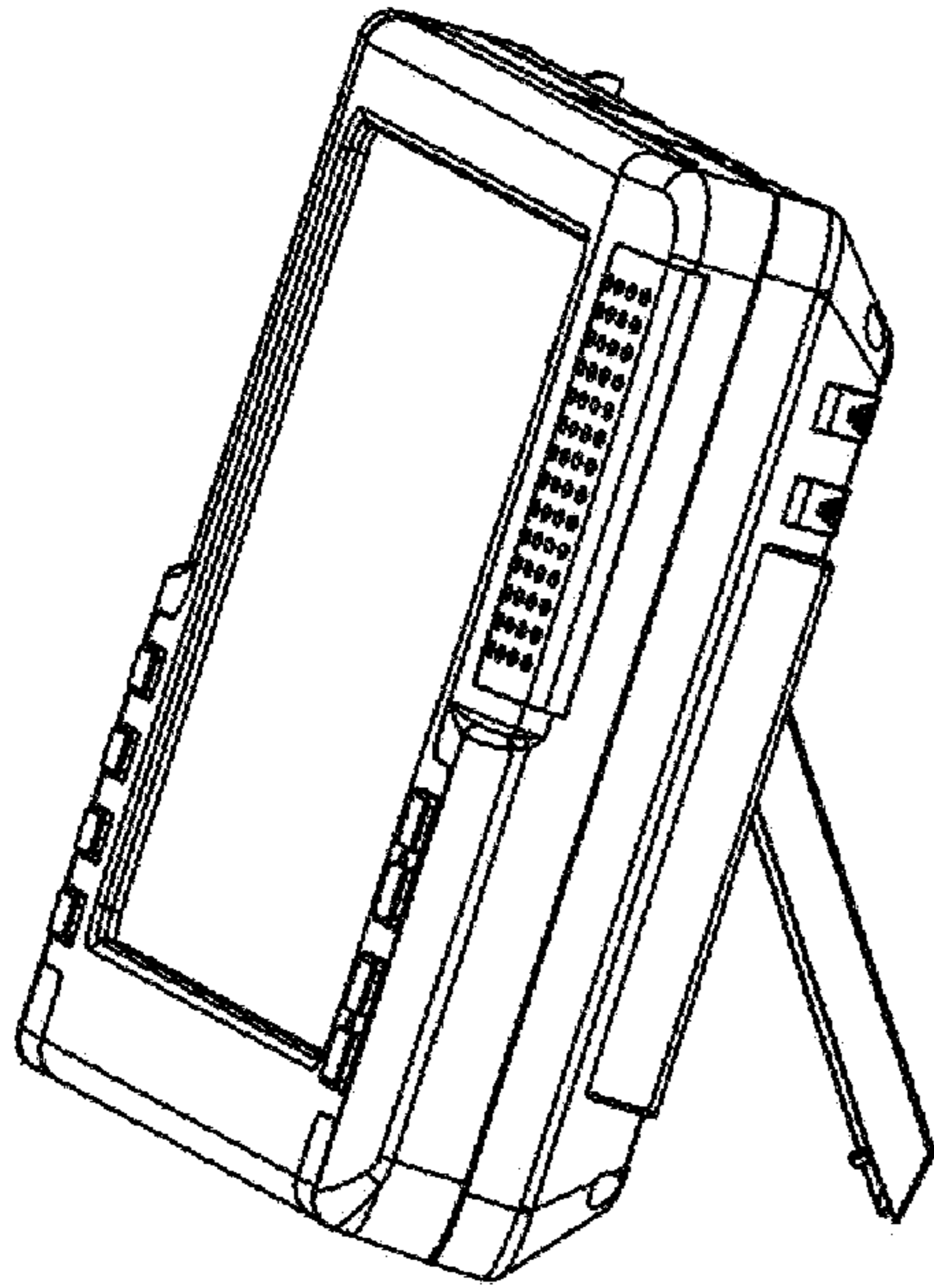


Figure 7

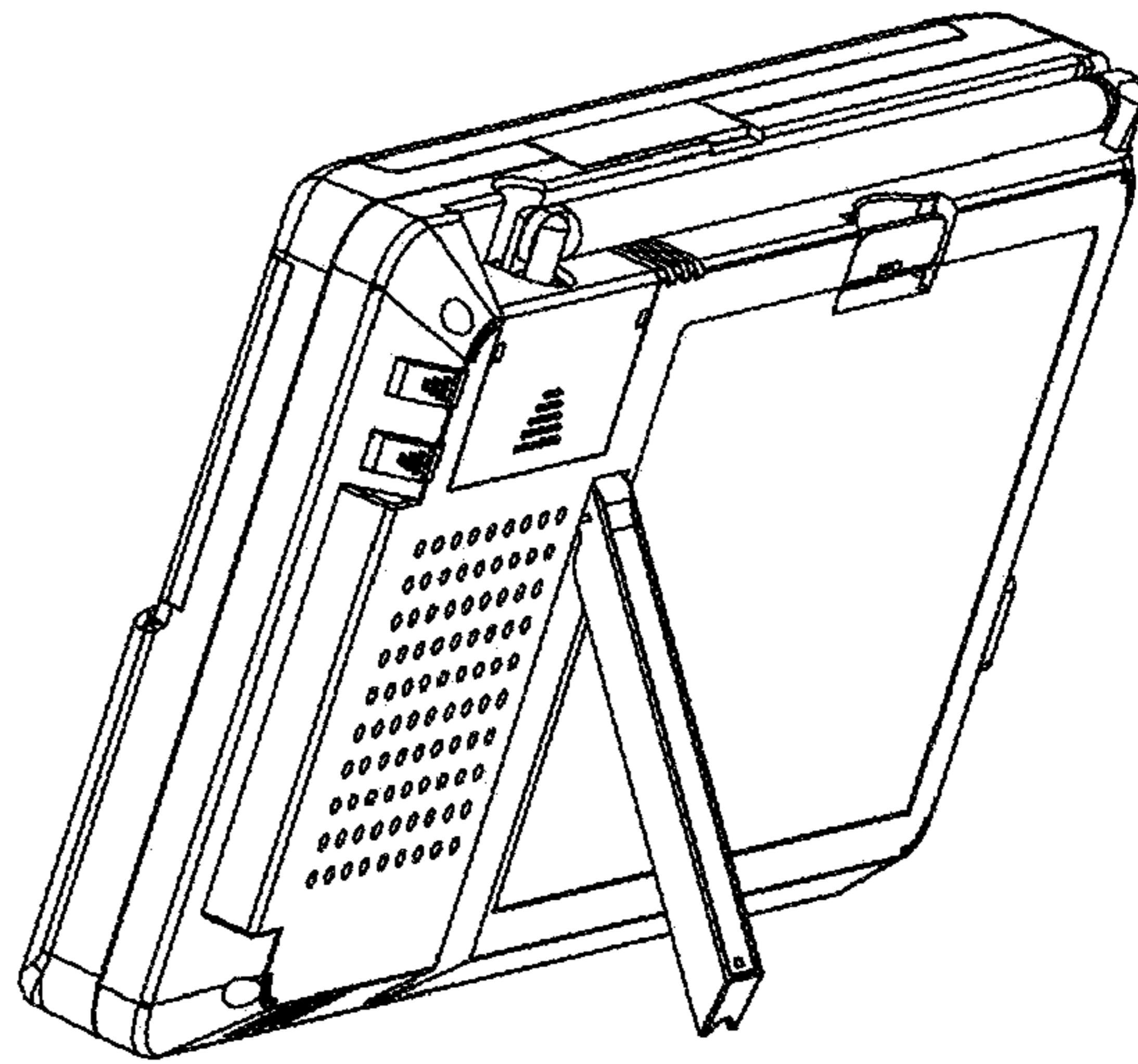


Figure 8

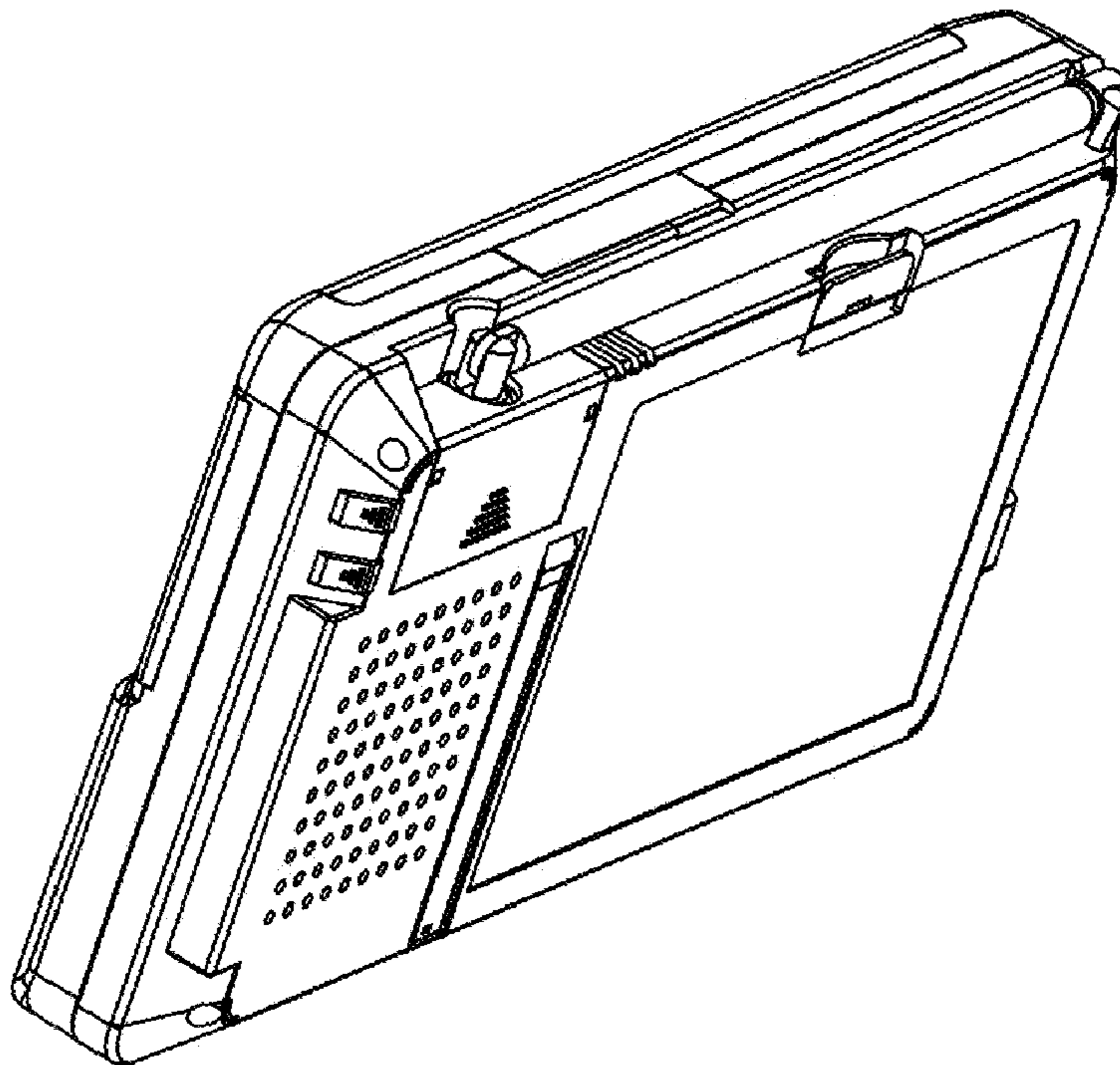


Figure 9