



US00D608742S

(12) **United States Design Patent**
Tiner

(10) **Patent No.:** **US D608,742 S**
(45) **Date of Patent:** **** Jan. 26, 2010**

(54) **SHADOW FRAME**

(75) Inventor: **Robin L. Tiner**, Santa Cruz, CA (US)

(73) Assignee: **Applied Materials, Inc.**, Santa Clara, CA (US)

(**) Term: **14 Years**

(21) Appl. No.: **29/327,941**

(22) Filed: **Nov. 14, 2008**

(51) **LOC (9) Cl.** **13-03**

(52) **U.S. Cl.** **D13/182**

(58) **Field of Classification Search** D13/180–182;
D8/349, 354, 382; D6/300; D19/26, 32,
D19/34; 206/453; 281/20, 42, 45; 428/430,
428/848.5; 430/5; 382/144, 145, 147, 181
See application file for complete search history.

(56) **References Cited**

U.S. PATENT DOCUMENTS

5,352,294 A 10/1994 White et al.
6,355,108 B1 3/2002 Won et al.
6,773,562 B1 8/2004 Inagawa et al.
D568,839 S * 5/2008 Mitsui et al. D13/182
2004/0123799 A1* 7/2004 Clark 118/504

2006/0011137 A1* 1/2006 Keller 118/720
2006/0103289 A1* 5/2006 Kim et al. 313/402
2006/0148368 A1* 7/2006 Kang et al. 445/47
2008/0213679 A1* 9/2008 Miyakawa et al. 430/5

* cited by examiner

Primary Examiner—Daniel D Bui

Assistant Examiner—Thomas J Johannes

(74) *Attorney, Agent, or Firm*—Patterson & Sheridan LLP

(57) **CLAIM**

The ornamental design for a shadow frame, as shown and described.

DESCRIPTION

FIG. 1 is an isometric view of a shadow frame.

FIG. 2 is a bottom view of the shadow frame.

FIG. 3 is a side view of the shadow frame.

FIG. 4 is a top view of the shadow frame.

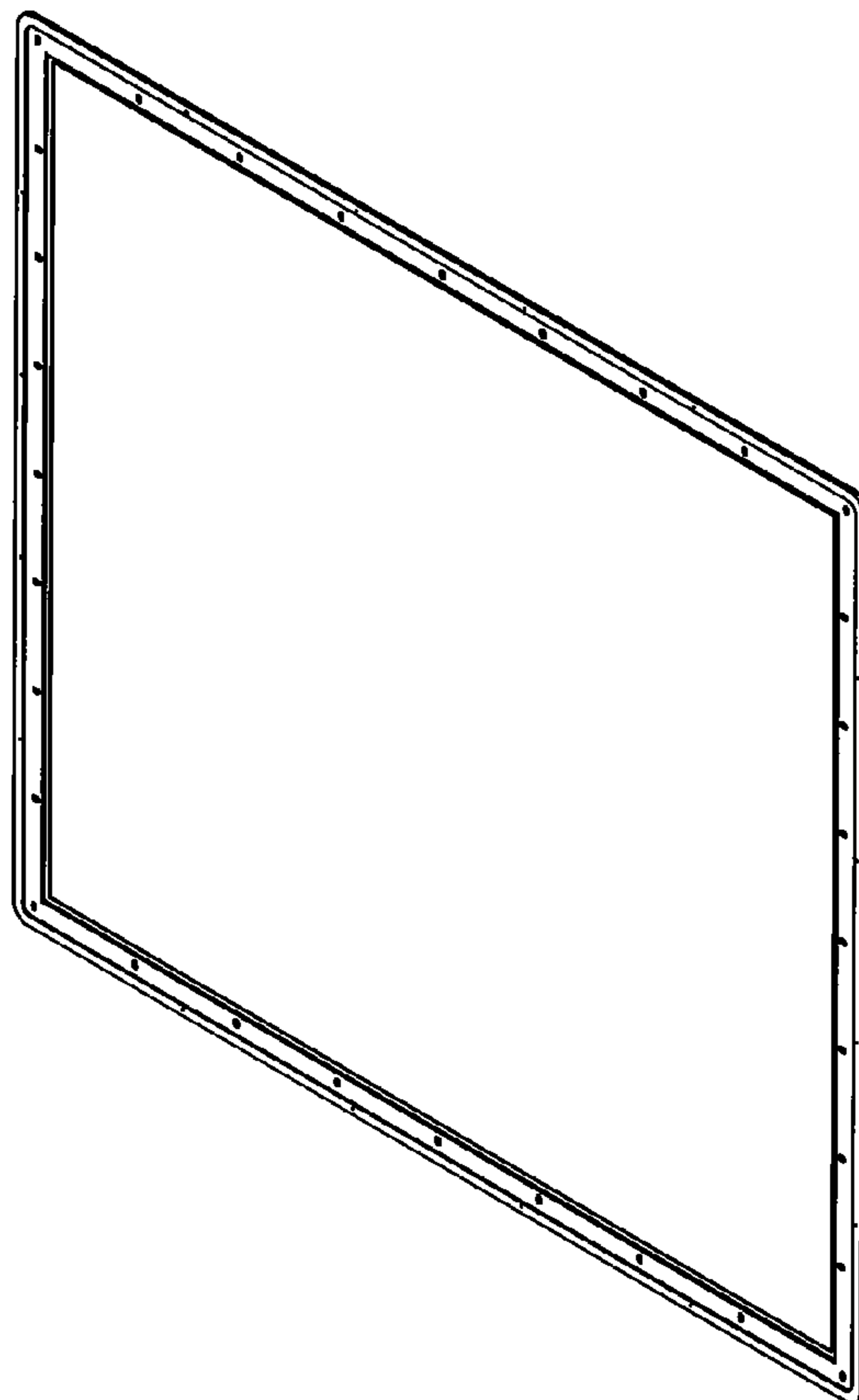
FIG. 5 is a side view of the shadow frame.

FIG. 6 is an enlarged detail view of a portion of FIG. 2.

FIG. 7 is an enlarged detail view of a portion of FIG. 2; and,

FIG. 8 is a cross section of FIG. 7 taken along line 8—8.

1 Claim, 4 Drawing Sheets



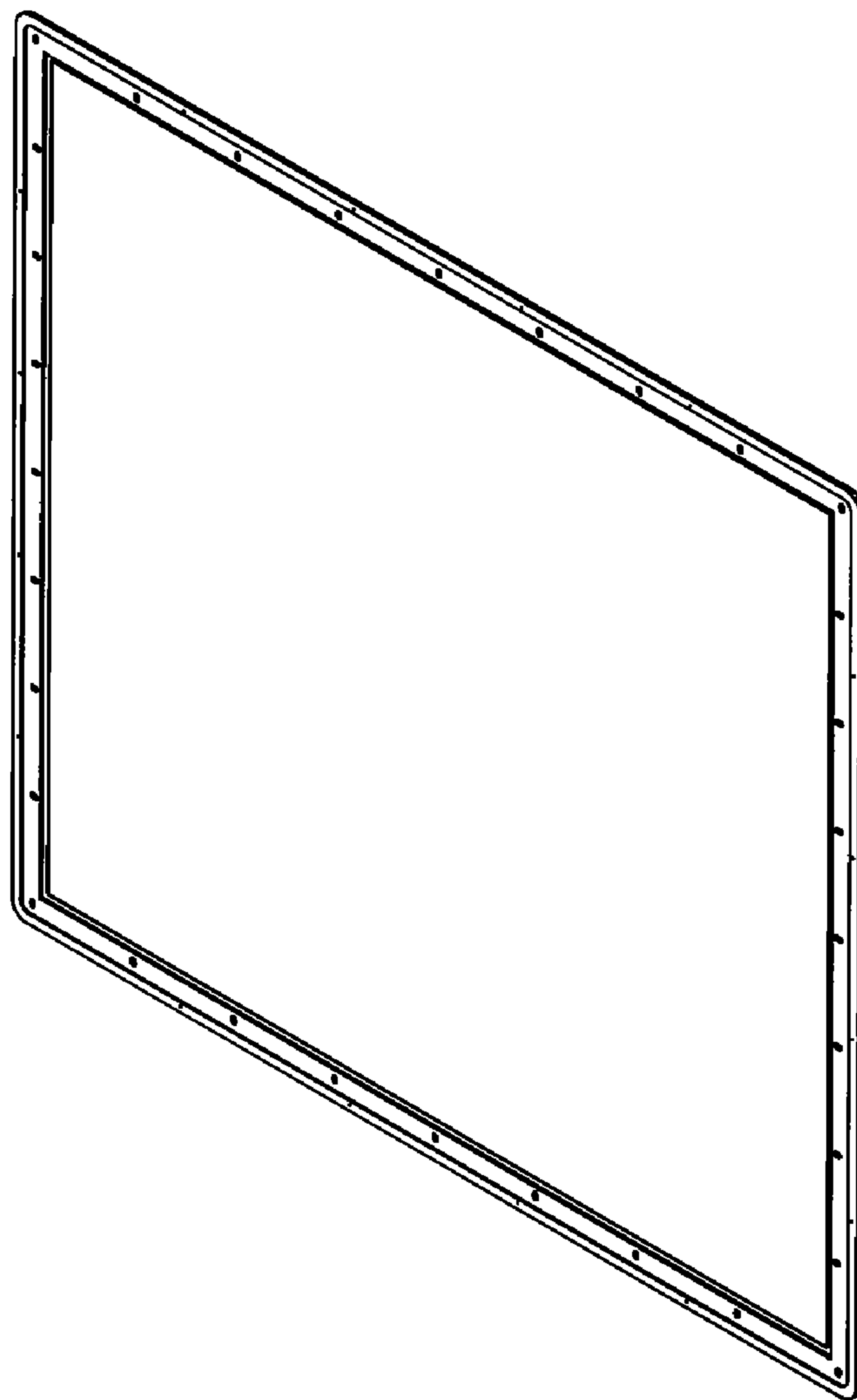


FIG. 1

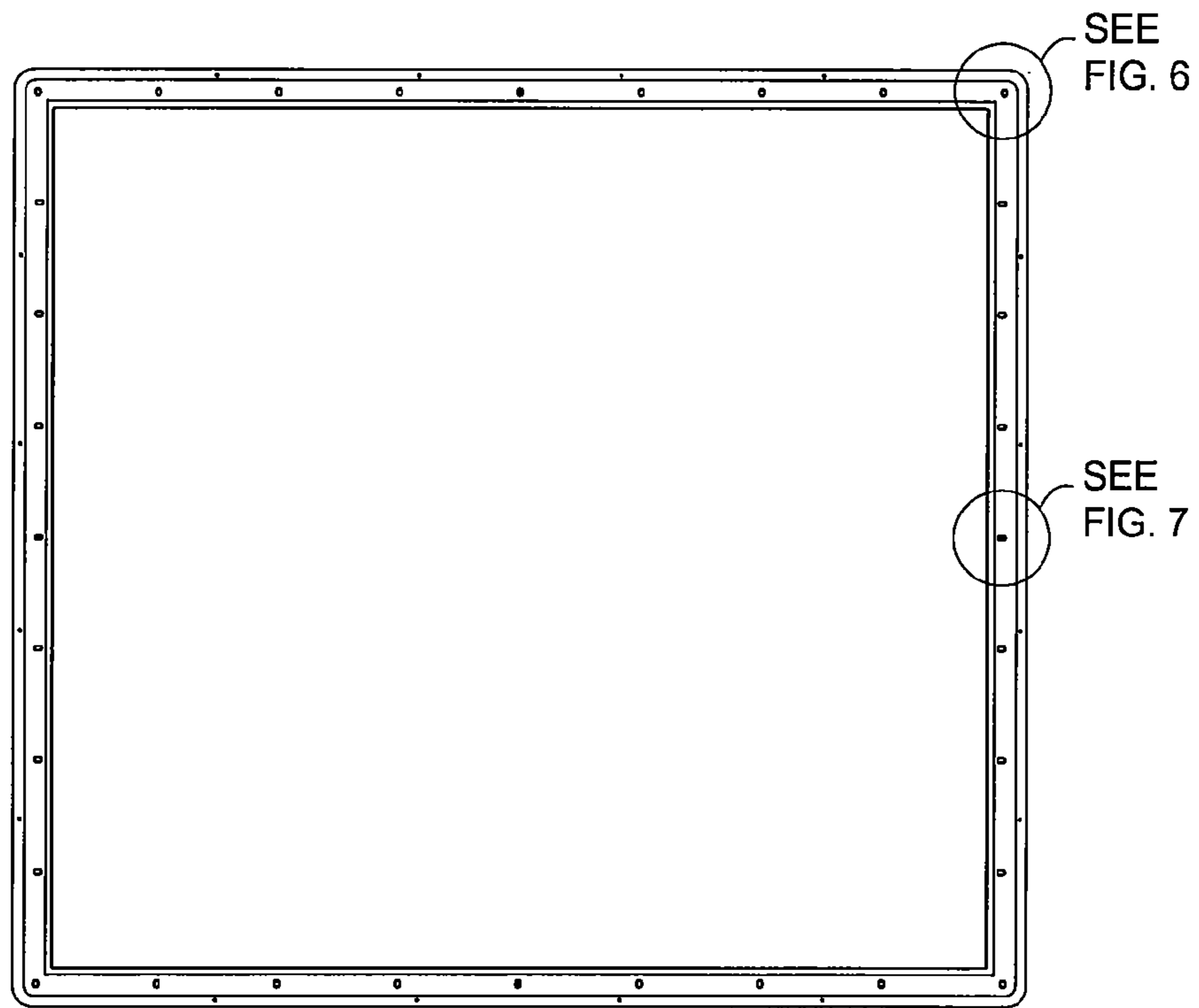


FIG. 2



FIG. 3

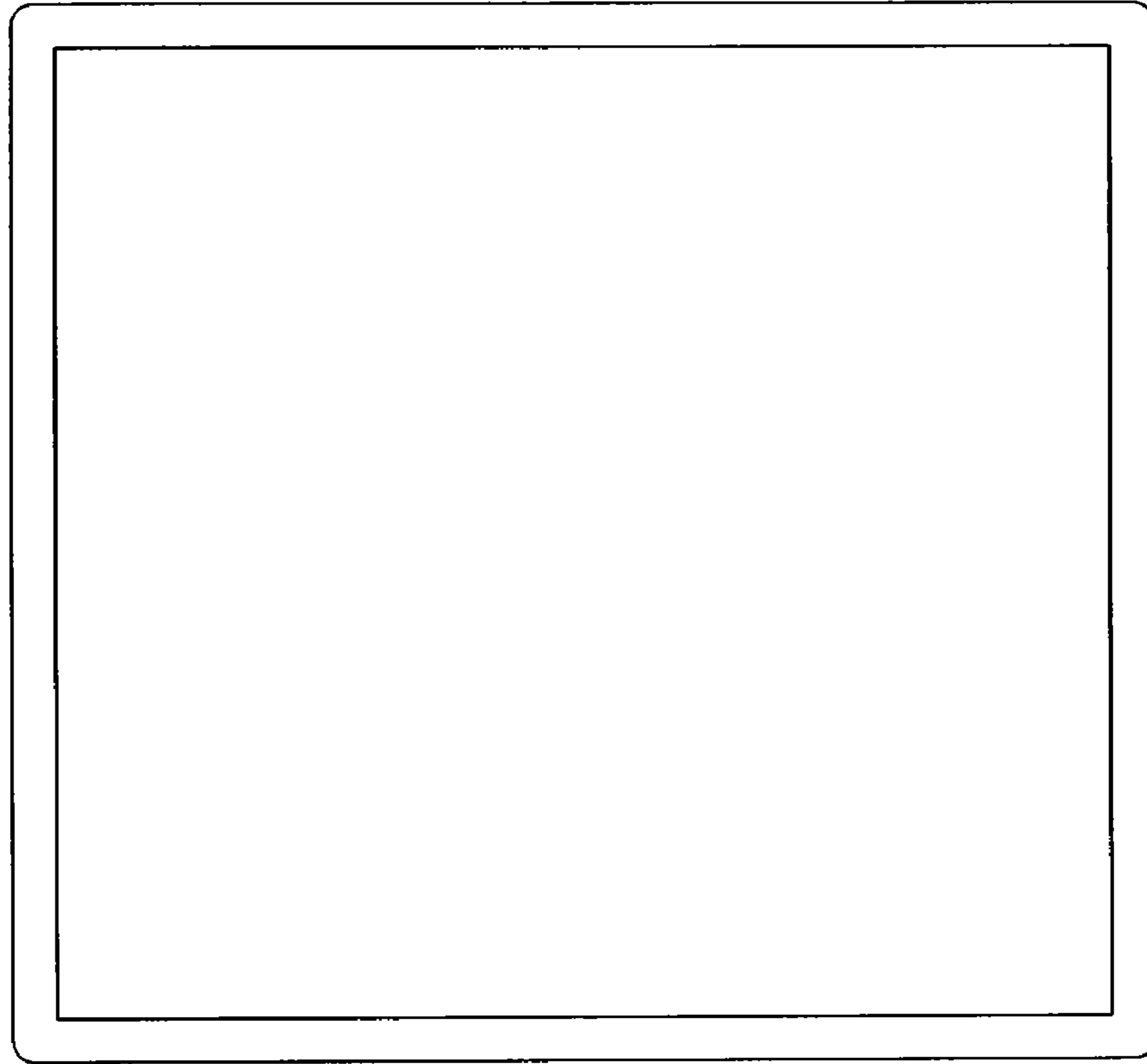


FIG. 4



FIG. 5

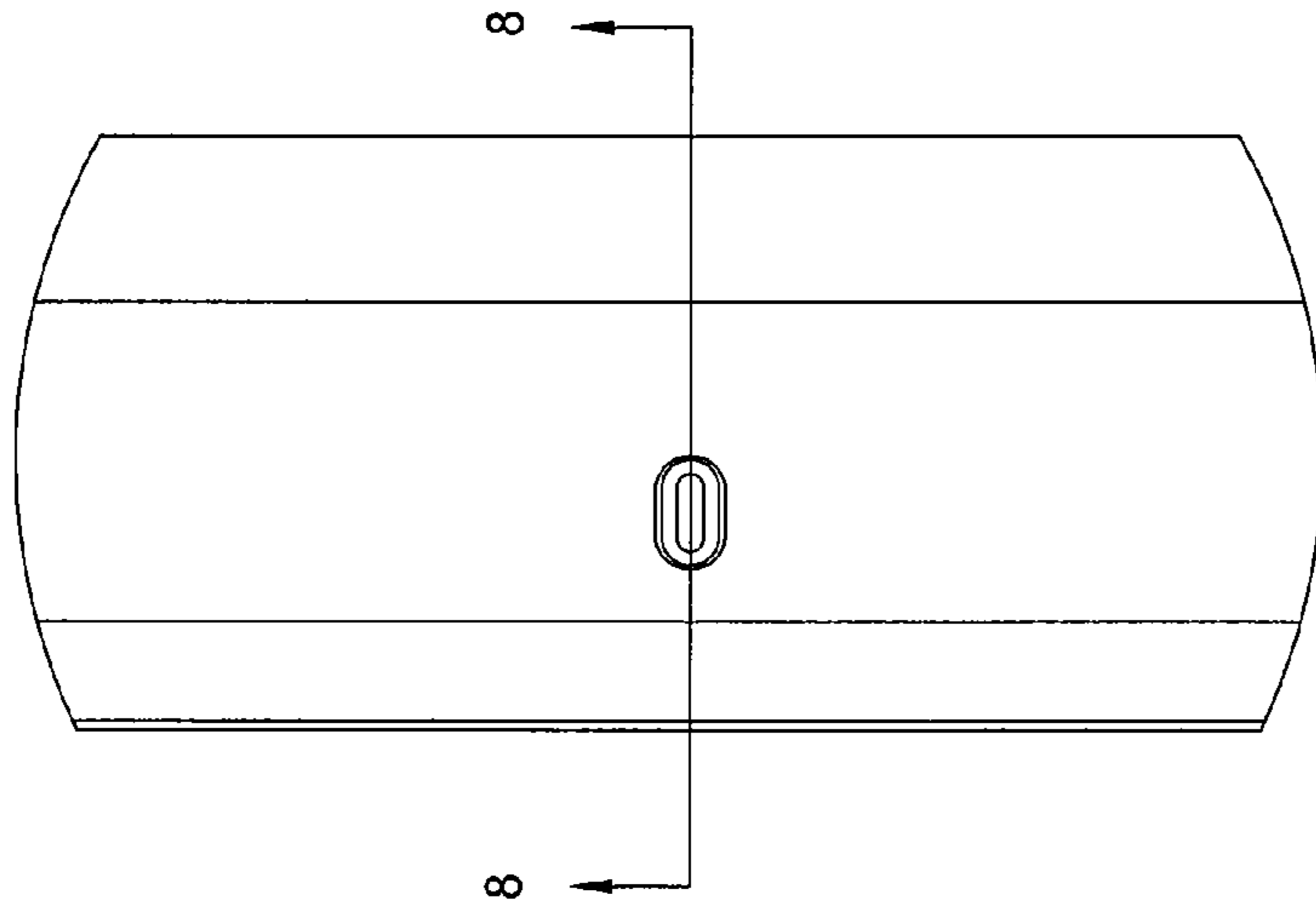


FIG. 7

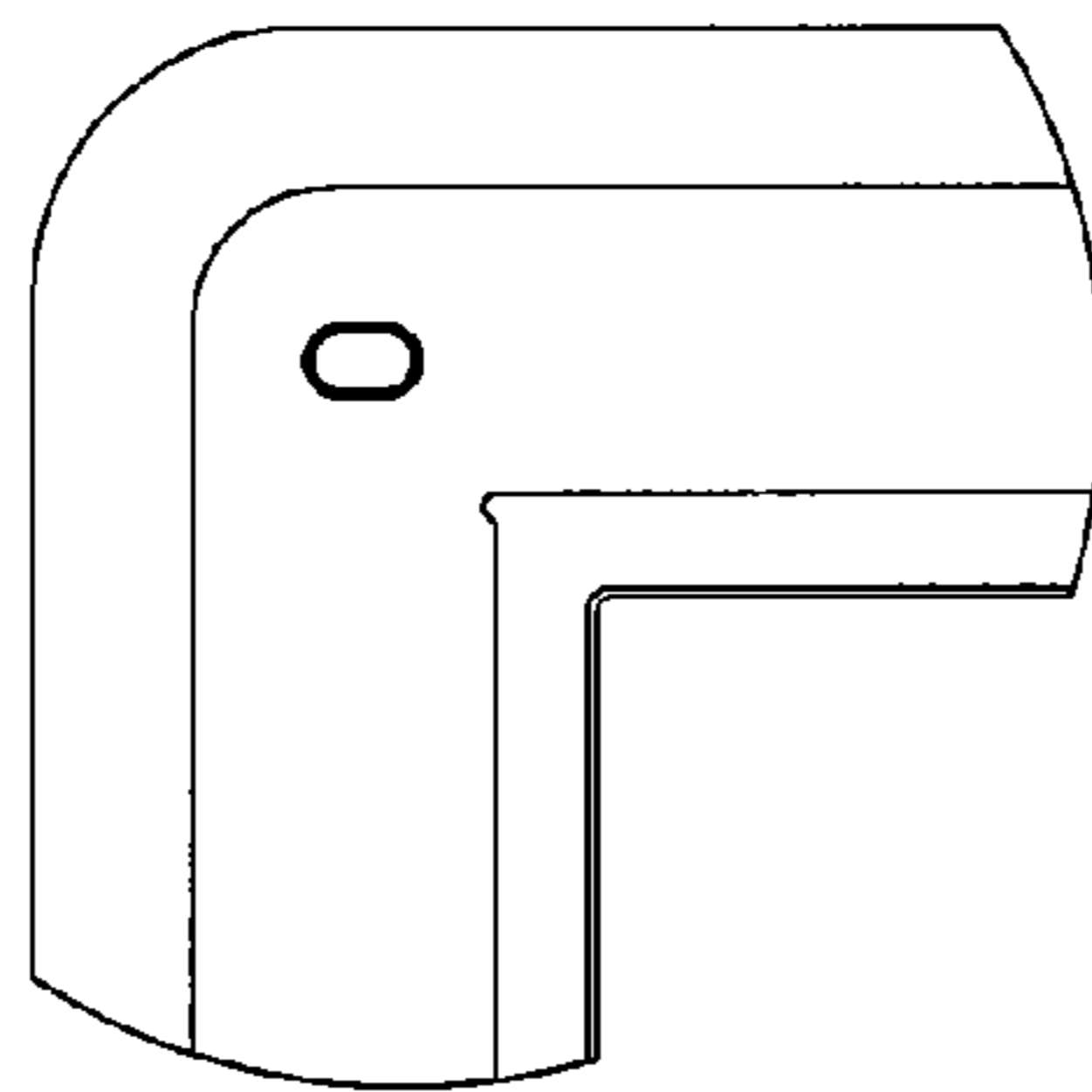


FIG. 6



FIG. 8