



US00D608739S

(12) **United States Design Patent**
Hussell

(10) **Patent No.:** **US D608,739 S**
(45) **Date of Patent:** **** *Jan. 26, 2010**

(54) **LED** 6,841,931 B2 1/2005 Takahashi et al.

(75) Inventor: **Christopher P. Hussell**, Cary, NC (US)

(Continued)

(73) Assignee: **Cree, Inc.**, Durham, NC (US)

FOREIGN PATENT DOCUMENTS

(**) Term: **14 Years**

JP 1066644 1/2000

(21) Appl. No.: **29/306,991**

(Continued)

(22) Filed: **Apr. 21, 2008**

OTHER PUBLICATIONS

(51) **LOC (9) Cl.** **13-03**

(52) **U.S. Cl.** **D13/180**

(58) **Field of Classification Search** D13/180;
D26/2; 257/79, 80, 81, 88, 89, 95, 98, 99,
257/100; 313/483, 498, 500; 362/555, 800

Nichia Press Release, "Summary of Patent Infringement Assessment Report," http://www.nichia.co.jp/about_nichia/2006/2006_021702.html, May 27, 2008 (3 sheets).

See application file for complete search history.

(Continued)

(56) **References Cited**

Primary Examiner—Selina Sikder

(74) *Attorney, Agent, or Firm*—Myers Bigel Sibley & Sajovec

U.S. PATENT DOCUMENTS

(57) **CLAIM**

- D478,877 S 8/2003 Hoshiba
- D482,337 S 11/2003 Kamada
- D489,677 S 5/2004 Ishida
- D489,690 S 5/2004 Ishida
- D489,691 S 5/2004 Ishida
- D489,692 S 5/2004 Ishida
- D489,693 S 5/2004 Ishida
- D490,062 S 5/2004 Ishida
- D490,384 S 5/2004 Ishida
- D490,385 S 5/2004 Ishida
- D490,386 S 5/2004 Ishida
- D490,783 S 6/2004 Ishida
- D490,784 S 6/2004 Ishida
- D491,538 S 6/2004 Ishida
- D493,429 S 7/2004 Ishida
- D495,667 S 9/2004 Kim et al.
- D496,007 S 9/2004 Hoshiba
- D497,349 S 10/2004 Hoshiba
- 6,800,996 B2 10/2004 Nagai et al.
- D499,384 S 12/2004 Kamada
- D499,385 S 12/2004 Ishiba
- D500,292 S 12/2004 Ishida
- D500,293 S 12/2004 Ishida
- D500,294 S 12/2004 Ishida

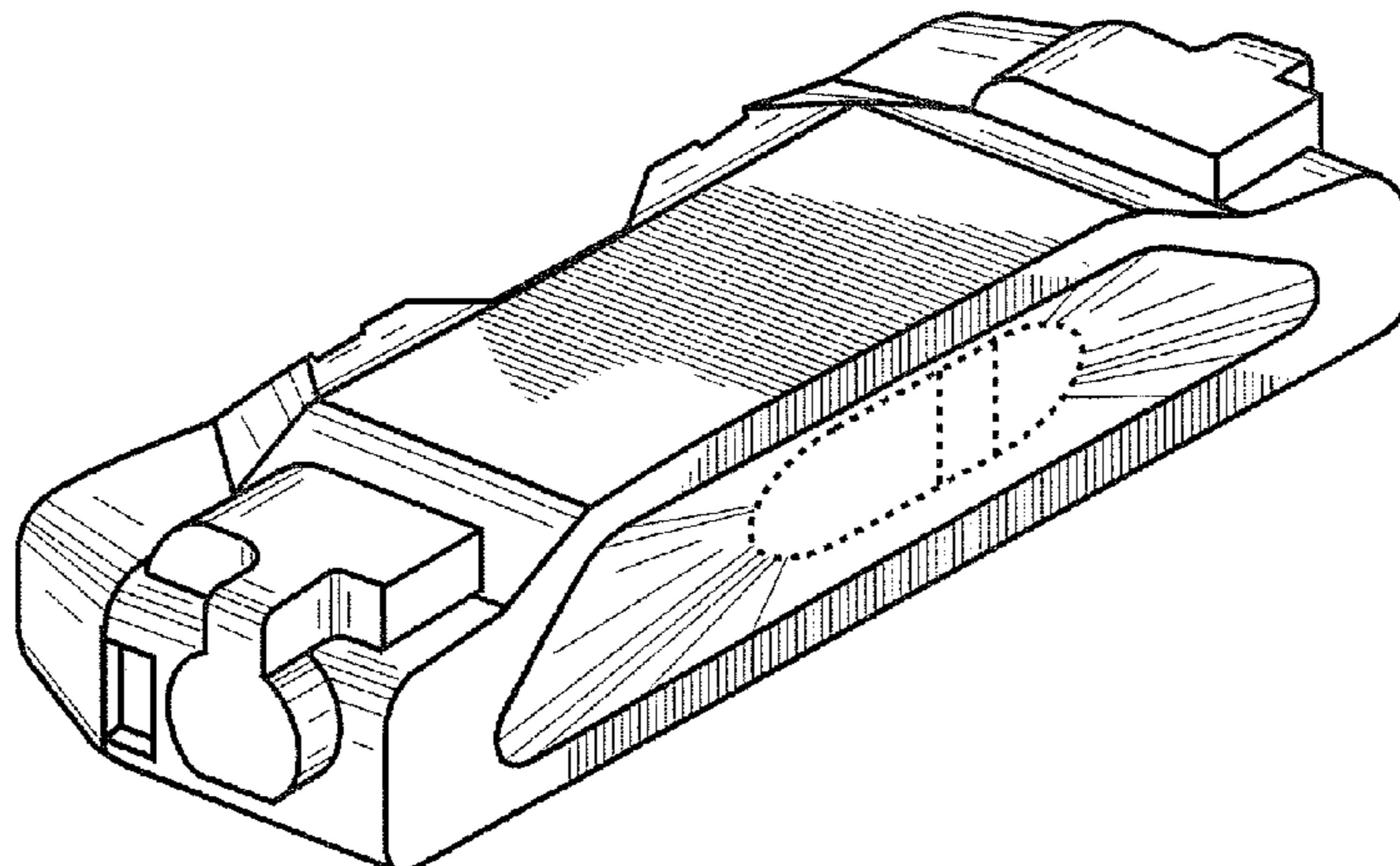
The ornamental design for an LED, as shown and described.

DESCRIPTION

FIG. 1 is a front perspective view of an LED showing my design;
 FIG. 2 is a front view thereof;
 FIG. 3 is a bottom view thereof;
 FIG. 4 is an opposing top view thereof;
 FIG. 5 is a back view thereof opposite the view of FIG. 2;
 FIG. 6 is side view thereof;
 FIG. 7 is an opposing side view thereof; and,
 FIG. 8 is a back perspective view thereof.

The broken lines shown herein are for illustrative purposes only and form no part of the claimed design. The illustrated device is not limited to the scale shown.

1 Claim, 2 Drawing Sheets



US D608,739 S

Page 2

U.S. PATENT DOCUMENTS

D501,831 S	2/2005	Ishida	
D502,449 S	3/2005	Ishida	
D502,689 S	3/2005	Ishida	
D503,388 S	3/2005	Ishida	
D504,116 S	4/2005	Ishida	
D504,404 S	4/2005	Ishida	
D504,873 S	5/2005	Ishida	
D506,449 S	6/2005	Hoshiba	
D507,782 S	7/2005	Ishida	
D508,233 S	8/2005	Kasae et al.	
D508,468 S	8/2005	Ishida	
D509,196 S	9/2005	Kamada	
D509,487 S	9/2005	Ishida	
D509,488 S	9/2005	Ishida	
D509,807 S	9/2005	Ishida	
D510,326 S	10/2005	Ishida	
6,953,952 B2	10/2005	Asakawa	
D511,147 S	11/2005	Suenaga	
D511,148 S	11/2005	Ishida	
D512,031 S	11/2005	Ishida	
D515,044 S	2/2006	Ishida	
D516,527 S	3/2006	Kamada	
7,009,285 B2	3/2006	Su et al.	
D518,449 S	4/2006	Ishida	
D519,943 S	5/2006	Kamada	
D527,352 S	8/2006	Wu et al.	
D529,451 S	10/2006	Kim et al.	
D533,146 S	12/2006	Wu et al.	
2006/0193121 A1*	8/2006	Kamoshita	362/84
2008/0239752 A1*	10/2008	Kuo	362/612

FOREIGN PATENT DOCUMENTS

JP	1066644-001	1/2000
JP	1066644-002	1/2000
JP	1046447-003	4/2000
JP	1077515	4/2000
JP	1095890	10/2000
JP	1095891	10/2000
JP	1106839	2/2001
JP	1106840	2/2001
JP	1106536	4/2001
JP	1111619	4/2001
JP	1111620	4/2001
JP	1111621	4/2001
JP	1111622	4/2001
JP	1112059	4/2001
JP	1112060	4/2001
JP	1112061	4/2001
JP	1112063	4/2001
JP	1112064	4/2001
JP	1112065	4/2001
JP	1113779	4/2001
JP	1112062	6/2001
JP	1130123	11/2001
JP	1144883	4/2002
JP	1145648	5/2002
JP	1146350	5/2002
JP	1149468	6/2002
JP	1149469	6/2002
JP	1150366	6/2002
JP	1150522	6/2002
JP	1150817	11/2002
JP	1163901	11/2002
JP	1164214	11/2002
JP	1164215	11/2002
JP	1164216	11/2002
JP	1164217	11/2002
JP	1164218	11/2002
JP	1164988	12/2002
JP	1164989	12/2002

JP	1167668	1/2003
JP	1168086	1/2003
JP	1168087	1/2003
JP	1170087	2/2003
JP	1170089	2/2003
JP	1170090	2/2003
JP	1170881	2/2003
JP	1170883	2/2003
JP	1170884	2/2003
JP	1170885	2/2003
JP	1170886	2/2003
JP	1171193	2/2003
JP	1171194	2/2003
JP	1171195	2/2003
JP	1171196	2/2003
JP	1171207	2/2003
JP	1171213	2/2003
JP	1171707	2/2003
JP	1171708	2/2003
JP	1171709	2/2003
JP	1171710	2/2003
JP	1171719	2/2003
JP	1171720	2/2003
JP	1171979	3/2003
JP	1171980	3/2003
JP	1172383	3/2003
JP	1172384	3/2003
JP	1172385	3/2003
JP	1172386	3/2003
JP	1172954	3/2003
JP	1175163	4/2003
JP	1175164	4/2003
JP	1175165	4/2003
JP	1175166	4/2003
JP	1176631	4/2003
JP	1177057	4/2003
JP	1177154	4/2003
JP	1177155	4/2003
JP	1177238	4/2003
JP	1177239	4/2003
JP	1181897	6/2003
JP	1181898	6/2003
JP	1181899	6/2003
JP	1183377	7/2003
JP	1197740	1/2004
JP	1197741	1/2004
JP	1197750	1/2004
JP	1197751	1/2004
JP	1197752	1/2004
KR	300472036000	12/2007
TW	577710	2/2004
TW	D104787	5/2005

OTHER PUBLICATIONS

Nichia Press Release, "Nichia Asserts Design Patents Against Seoul Semiconductor," http://www.nichia.co.jp/about_nichia/2006/2006_011601.html, May 27, 2008 (3 sheets).

Product Specification for Nichia Chip Type White LED, Model NSCW335T; <http://www.nichia.com/product/led-smd-sideview.html>, Aug. 29, 2006 (15 sheets).

Product Specification for Nichia Chip Type White LED, Model NESW008BT; <http://www.nichia.com/product/led-smd-sideview.html>, Aug. 29, 2006 (15 sheets).

Product Specification for Nichia Chip Type White LED, Model NSSW020AT; <http://www.nichia.com/product/led-smd-sideview.html>, Aug. 29, 2006 (15 sheets).

SMD335K Package (2005) (1 sheet).

US D608,739 S

Page 3

Cree introduces its first packaged LED product, LEDs Magazine, Oct. 2004, pp. 1-2.

U.S. Appl. No. 29/249,263 Huessell filed Sep. 28, 2006.

U.S. Appl. No. 29/276,271 Emerson et al. filed Jan. 9, 2007.

Office Action of the IPO for Patent Application 097306044 dated Sep. 10, 2009.

* cited by examiner

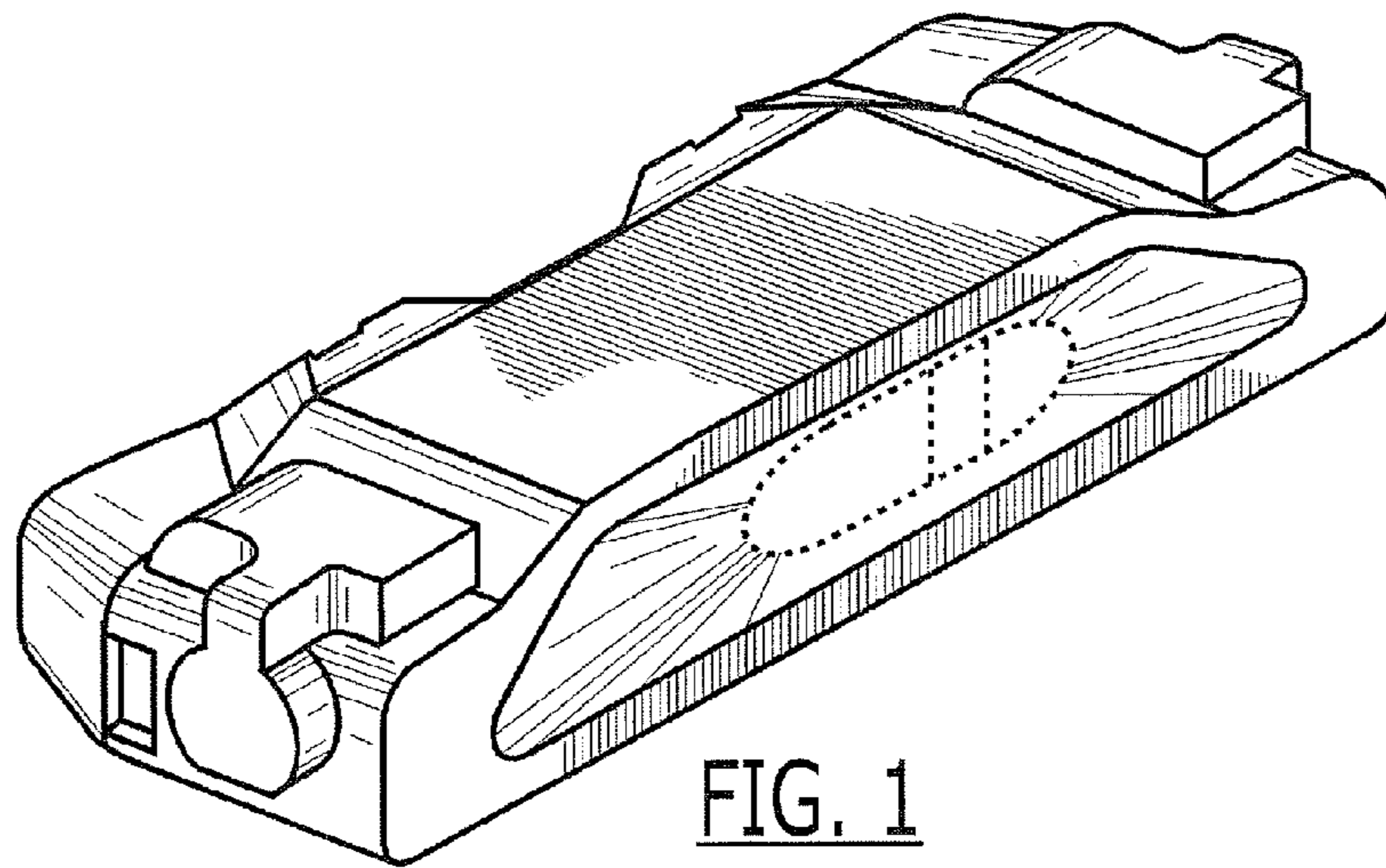


FIG. 1

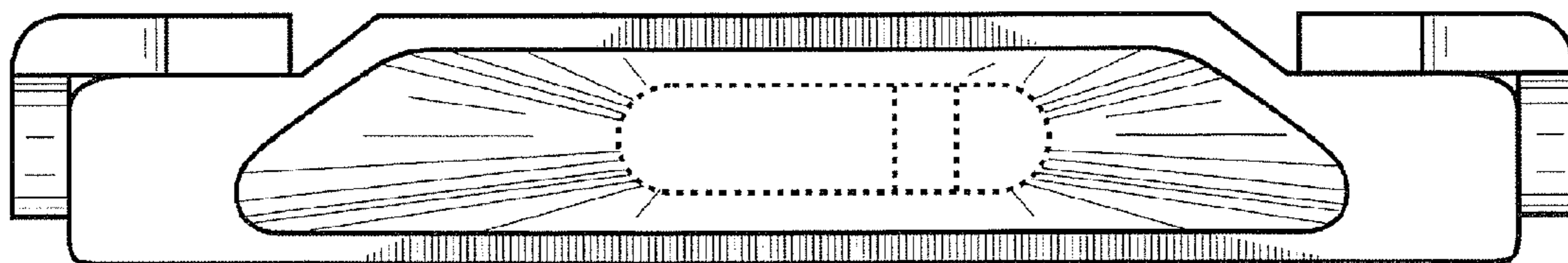


FIG. 2

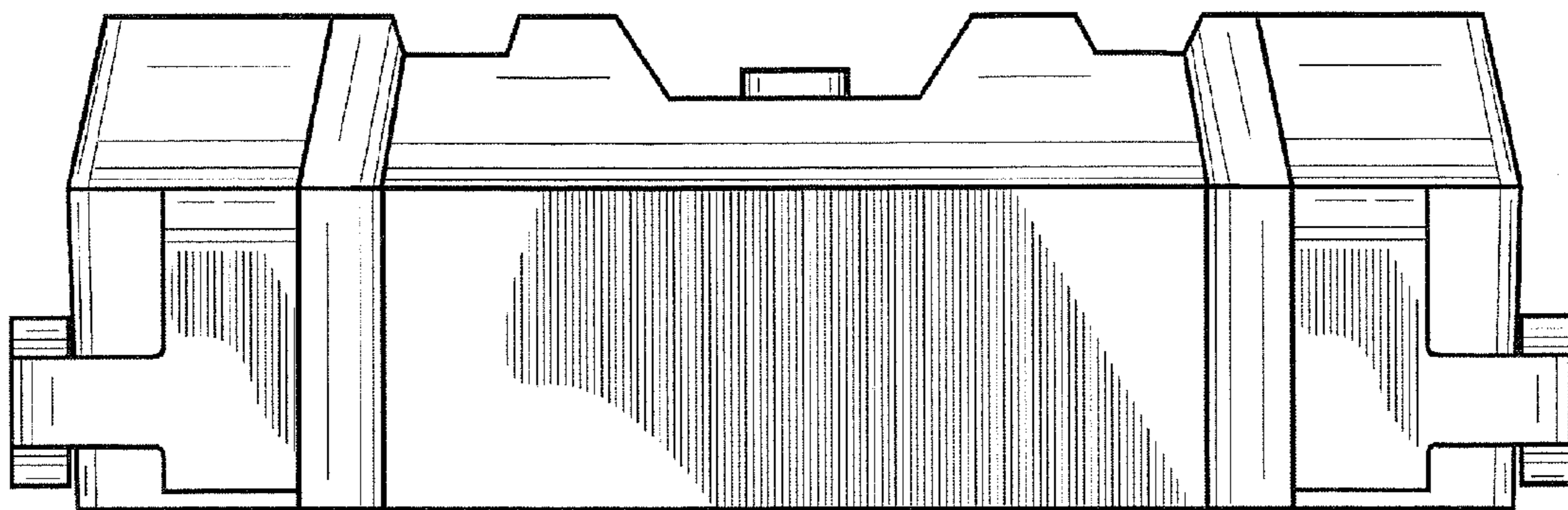


FIG. 3

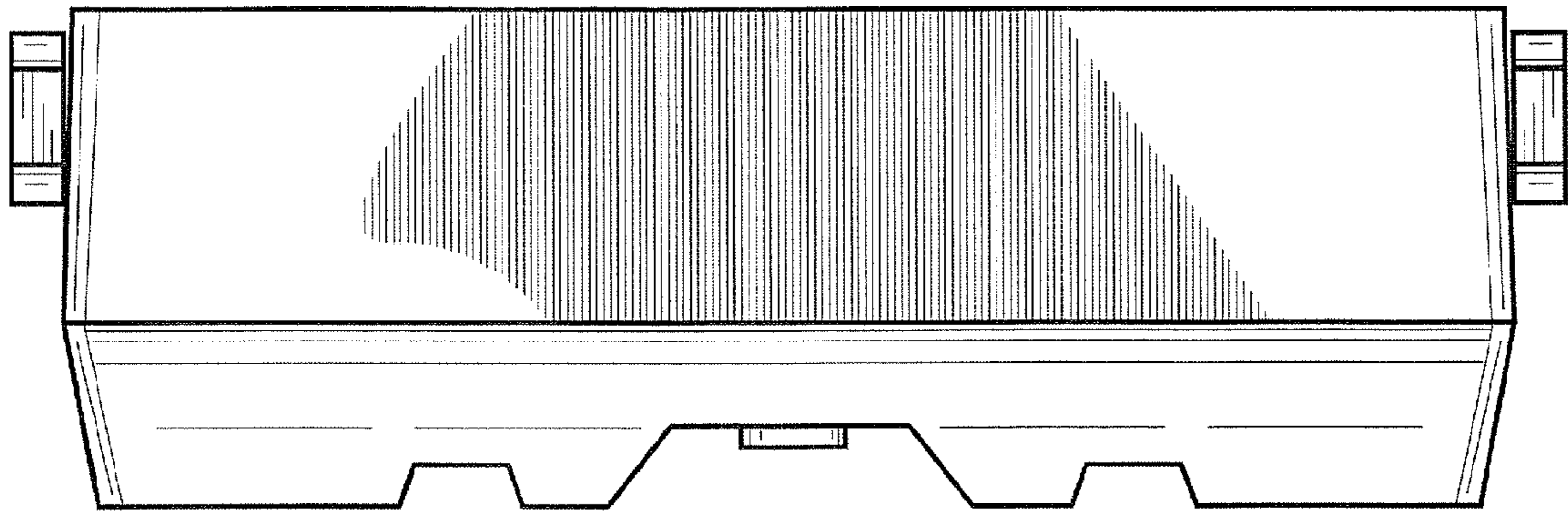


FIG. 4

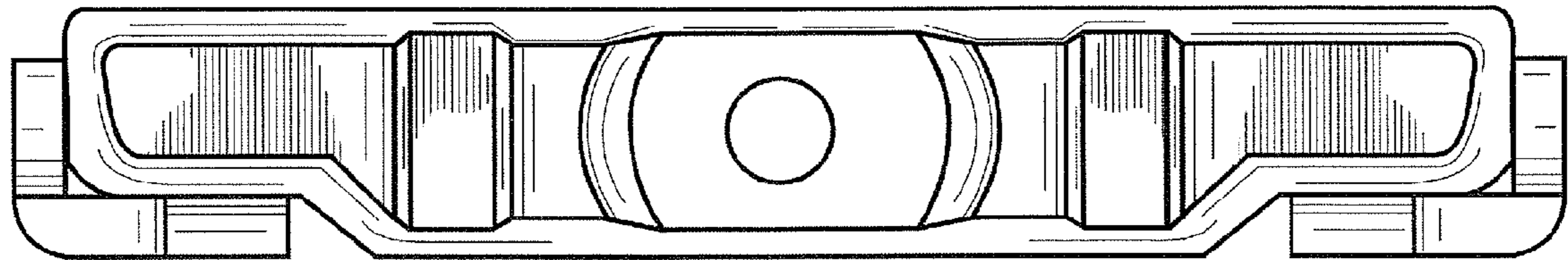


FIG. 5

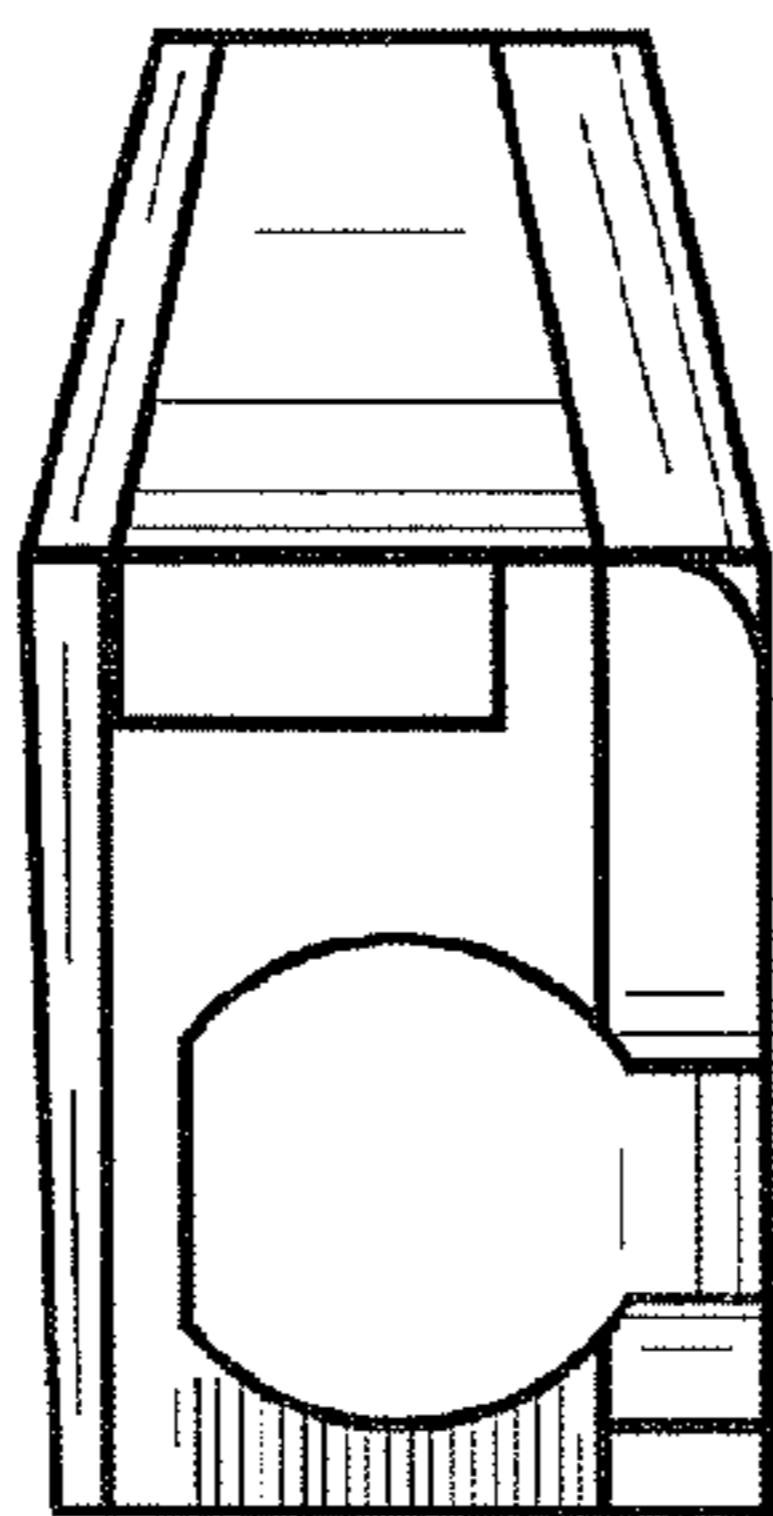


FIG. 6

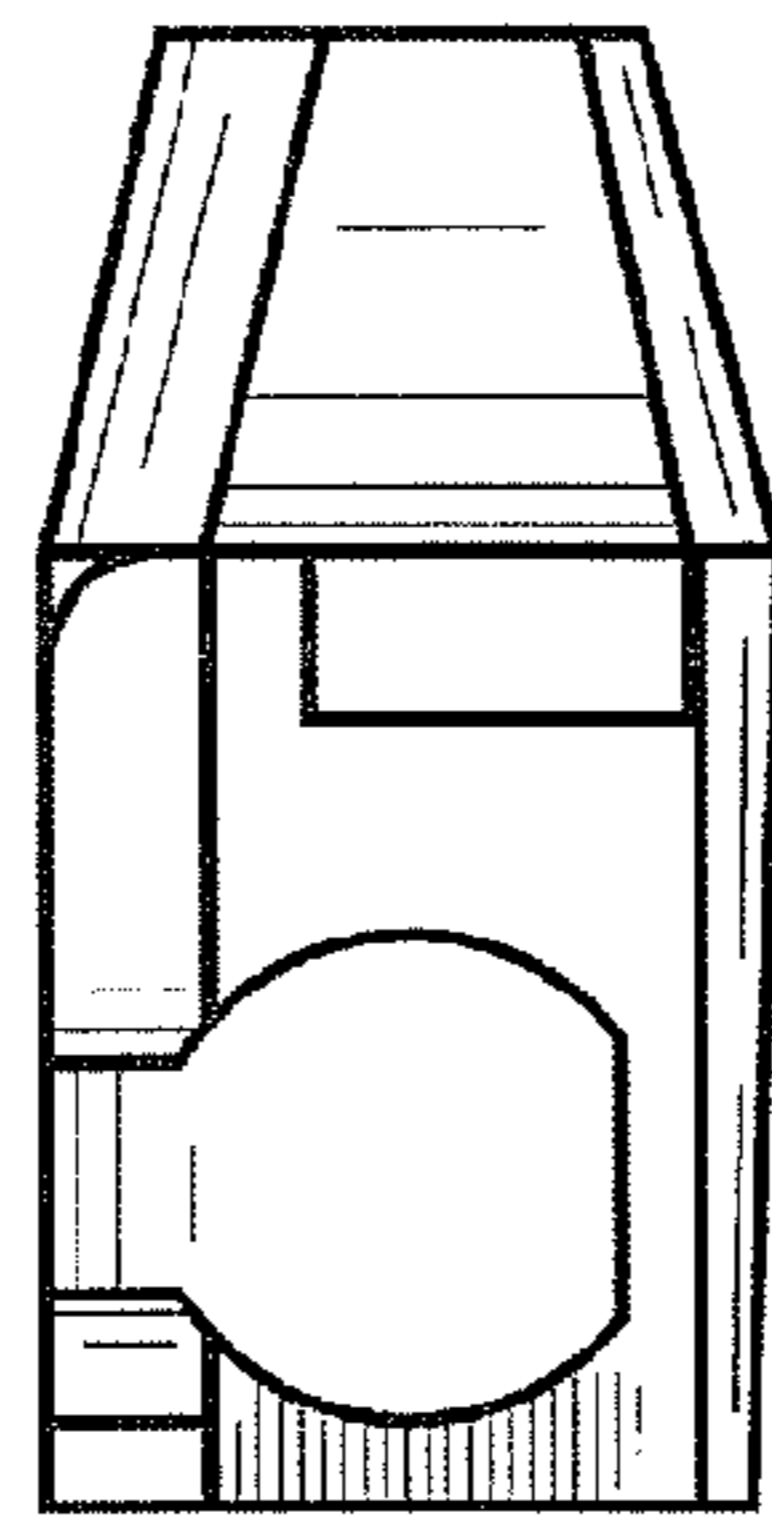


FIG. 7

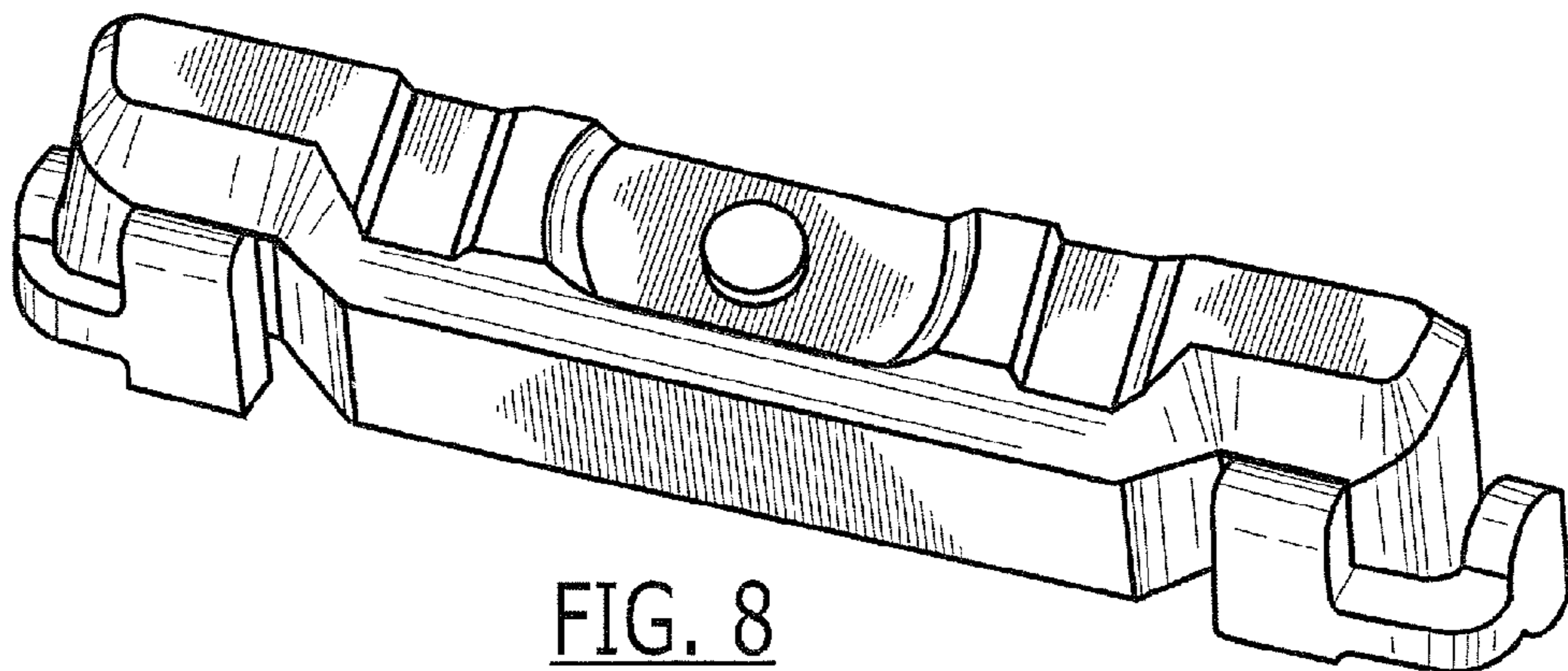


FIG. 8