



US00D608738S

(12) **United States Design Patent**  
**Wang et al.**

(10) **Patent No.:** **US D608,738 S**  
(45) **Date of Patent:** **\*\* Jan. 26, 2010**

(54) **ELECTRICAL CONNECTOR**

(75) Inventors: **Chen-Xi Wang**, Kunshan (CN);  
**Hong-Qiang Han**, Kunshan (CN);  
**Zi-Qiang Zhu**, Kunshan (CN)

(73) Assignee: **Hon Hai Precision Ind. Co., Ltd.**,  
Taipei Hsien (TW)

(\*\*) Term: **14 Years**

(21) Appl. No.: **29/337,388**

(22) Filed: **May 21, 2009**

(30) **Foreign Application Priority Data**

Nov. 21, 2008 (CN) ..... 2008 3 0302303

(51) **LOC (9) Cl.** ..... **13-03**

(52) **U.S. Cl.** ..... **D13/147**

(58) **Field of Classification Search** ..... D13/133,  
D13/146-147, 154, 184; 439/79, 108, 378,  
439/607-610, 660, 680

See application file for complete search history.

(56) **References Cited**

**U.S. PATENT DOCUMENTS**

D465,202 S \* 11/2002 Kubota ..... D13/147  
D569,345 S \* 5/2008 Ikegami ..... D13/147  
D583,328 S \* 12/2008 Chiang ..... D13/147

D585,829 S \* 2/2009 Ko et al. .... D13/147  
D593,495 S \* 6/2009 Zhu et al. .... D13/147  
D593,496 S \* 6/2009 Zhu et al. .... D13/147

\* cited by examiner

*Primary Examiner*—Daniel D Bui

(74) *Attorney, Agent, or Firm*—Wei Te Chung; Andrew C.  
Cheng; Ming Chieh Chang

(57) **CLAIM**

The ornamental design for an electrical connector, and  
described.

**DESCRIPTION**

FIG. 1 is a front, top and right side perspective view of an  
electrical connector showing our new design;

FIG. 2 is a front elevational view thereof;

FIG. 3 is a rear elevational view thereof;

FIG. 4 is a left side elevational view thereof;

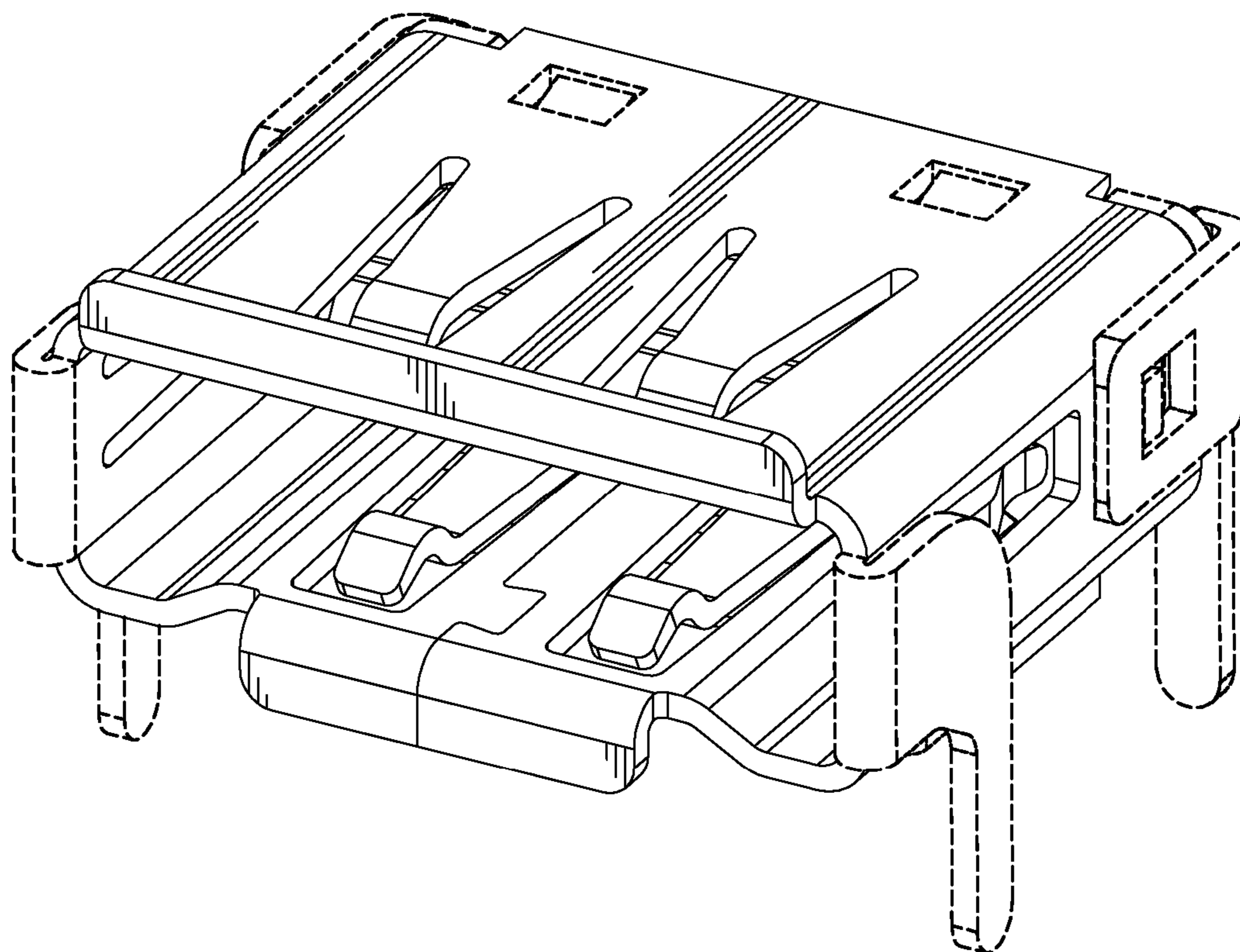
FIG. 5 is a right side elevational view thereof;

FIG. 6 is a top plan view thereof; and,

FIG. 7 is a bottom plan view thereof.

The broken line portion of the figure drawings is included to  
show unclaimed subject matter only and forms no part of the  
claimed design.

**1 Claim, 7 Drawing Sheets**



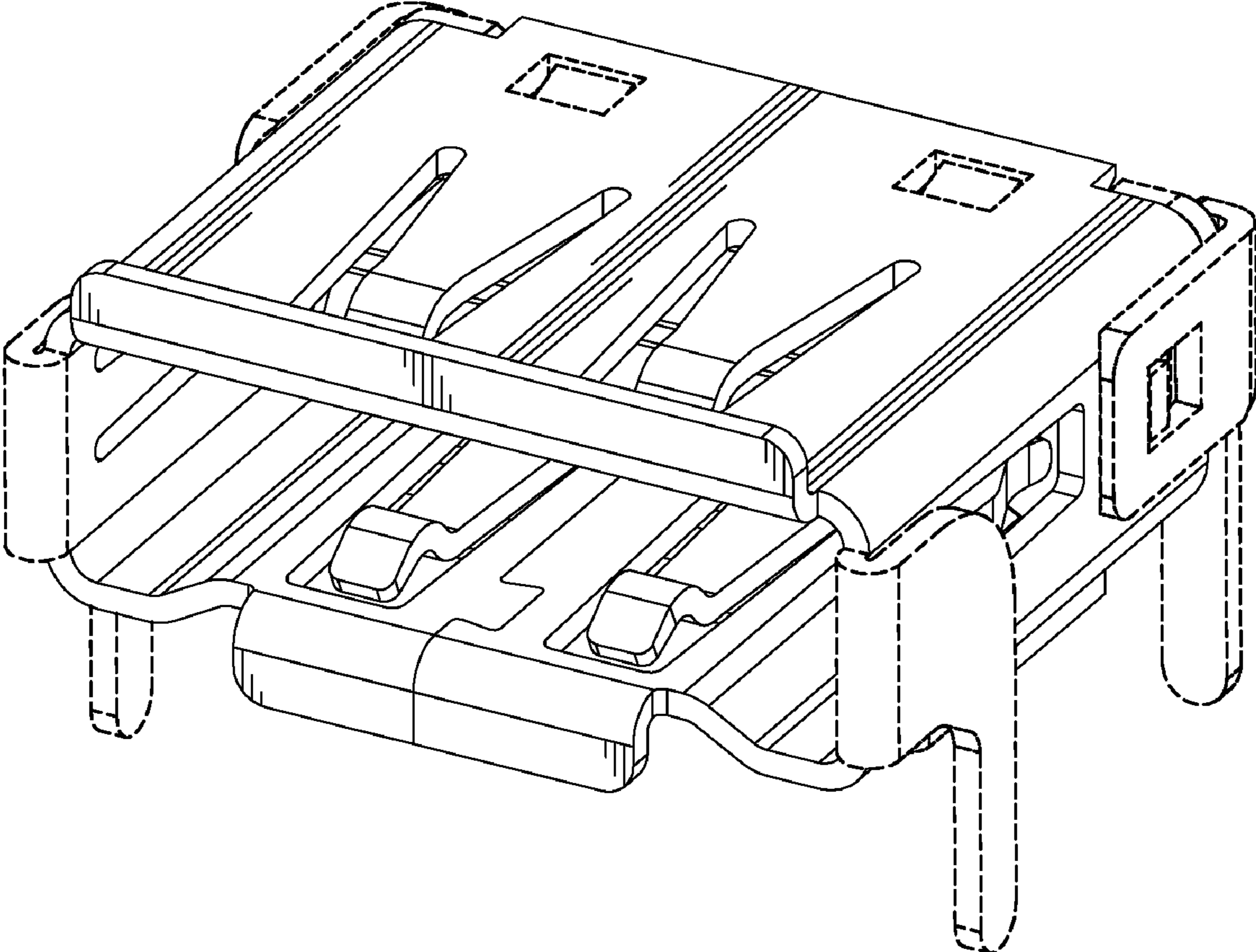


FIG. 1

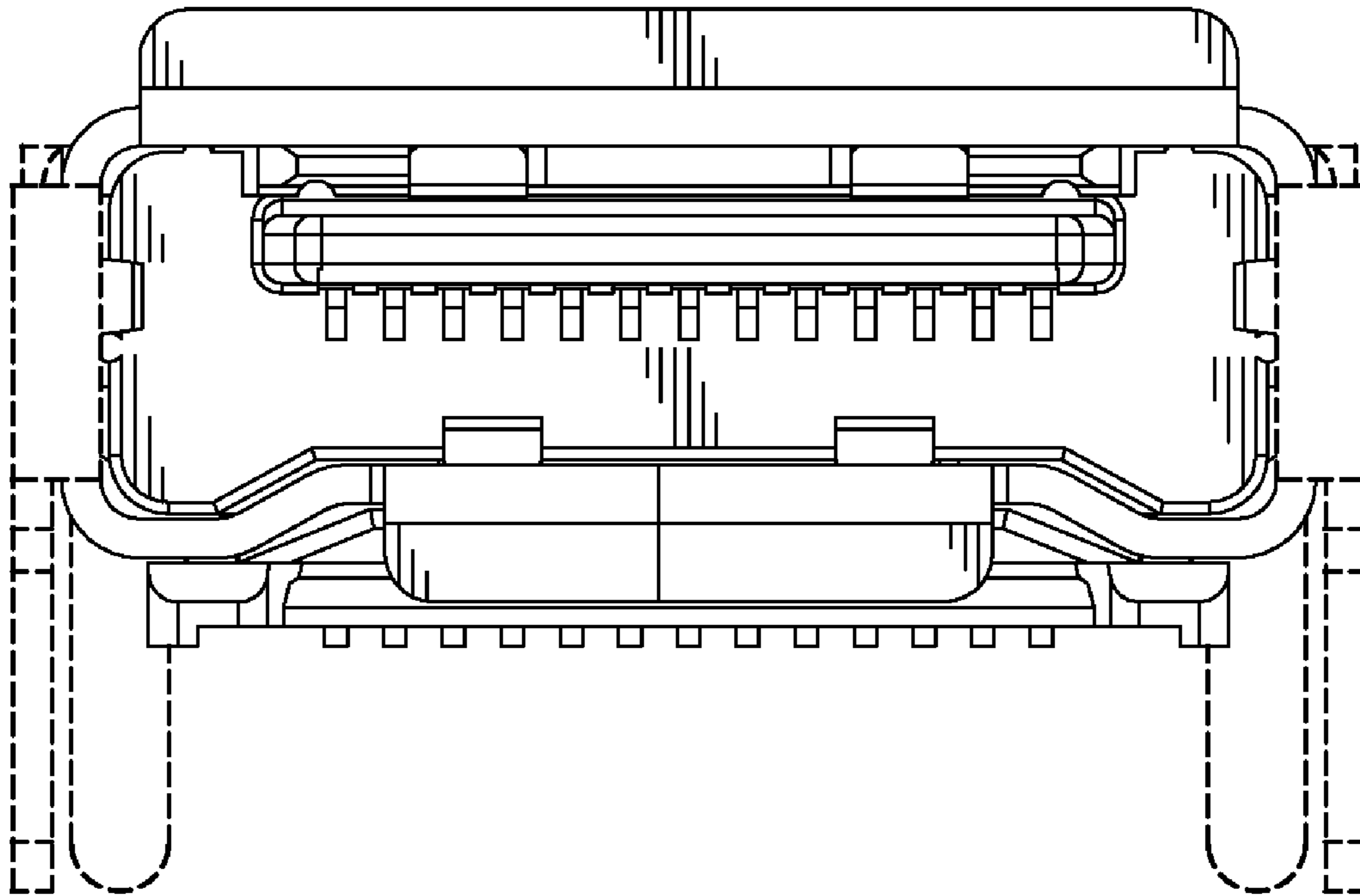


FIG. 2

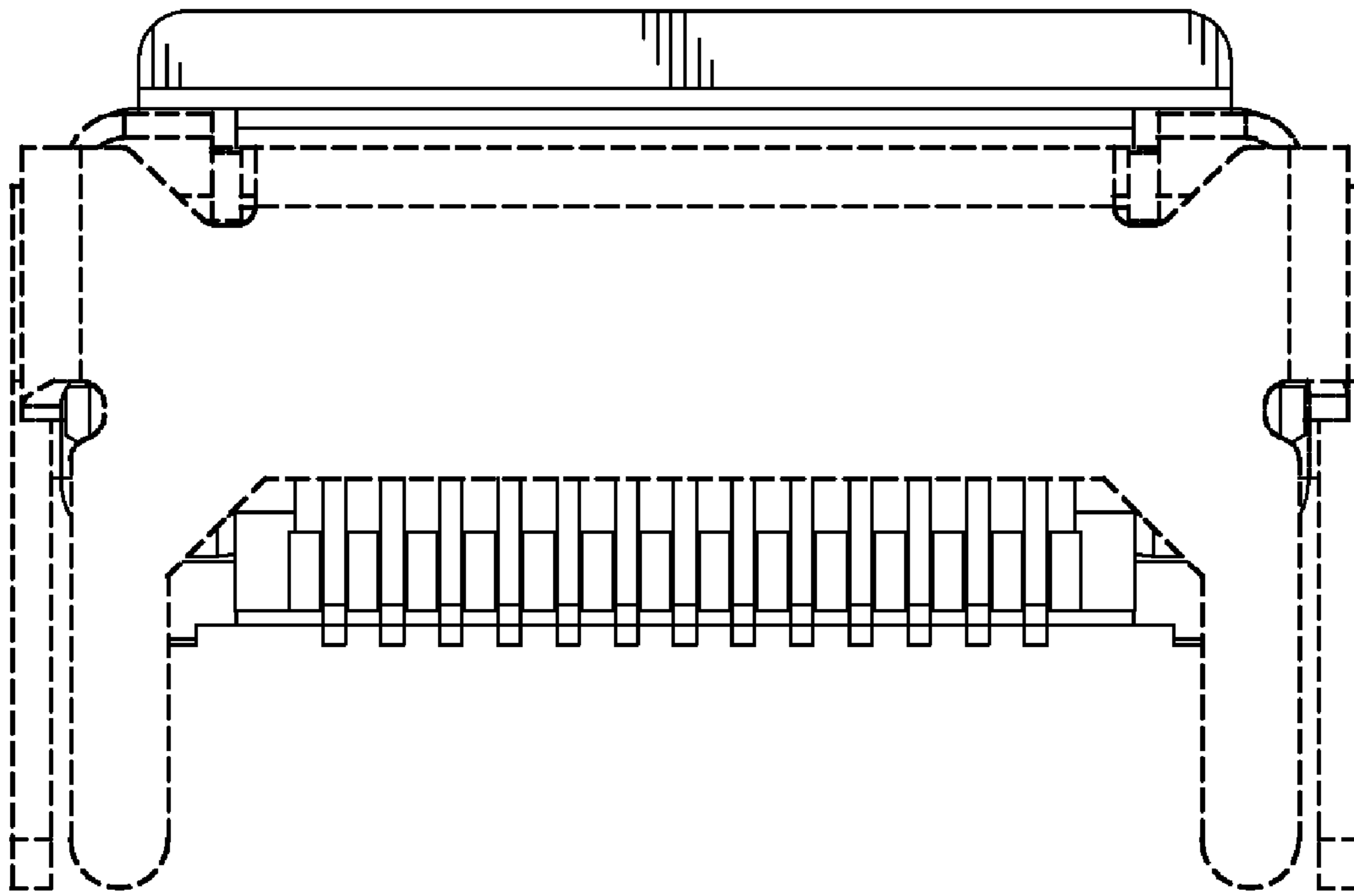


FIG. 3

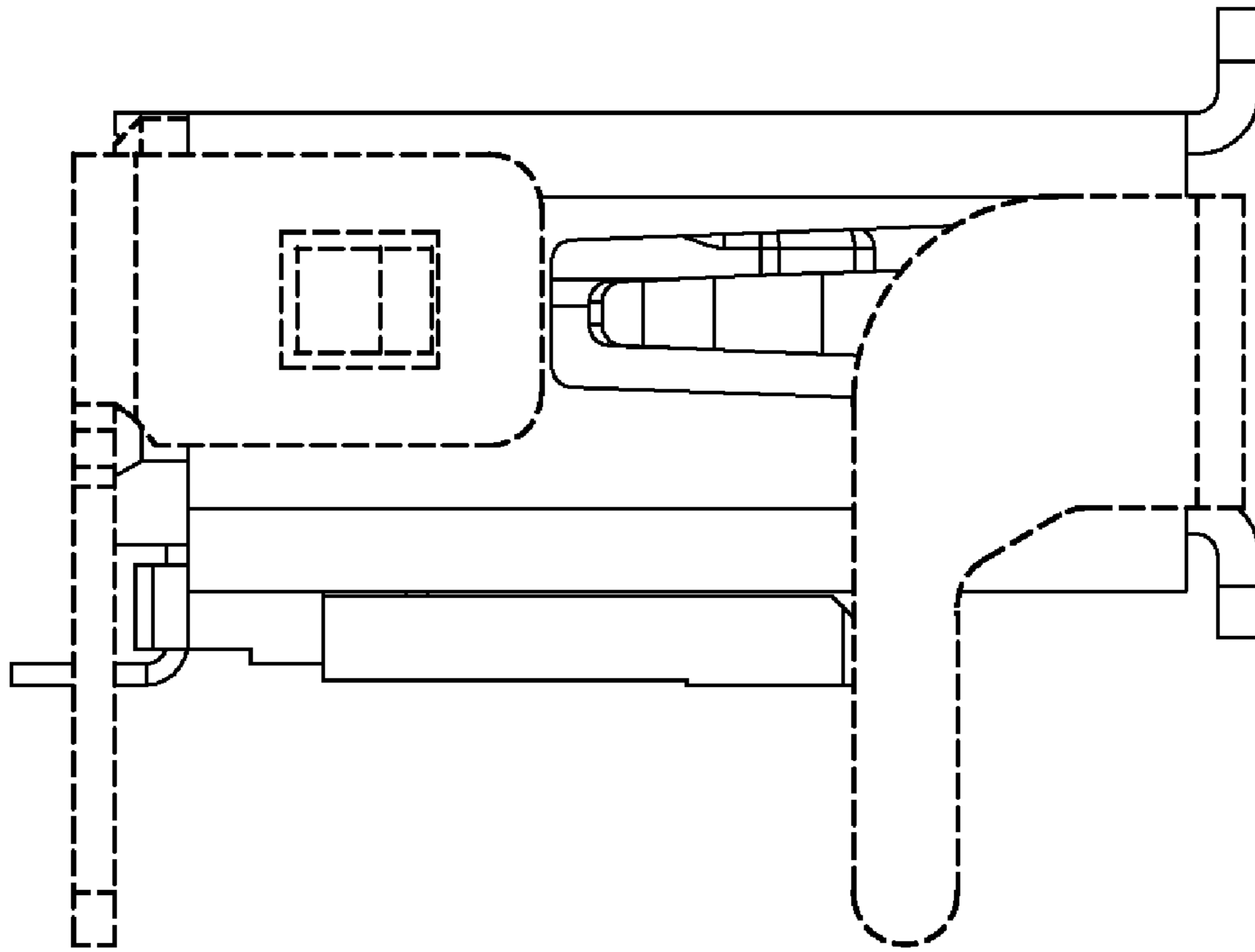


FIG. 4

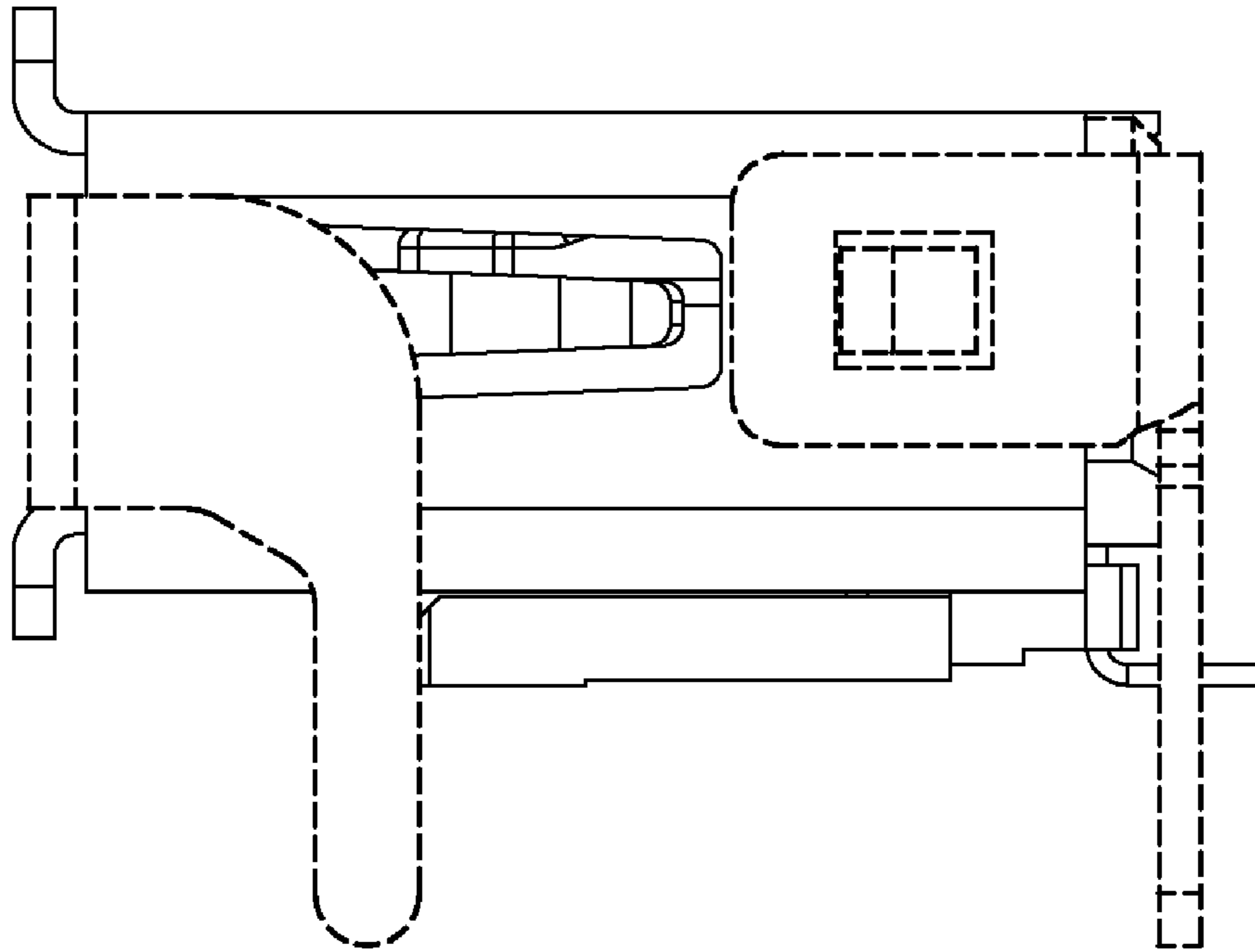


FIG. 5

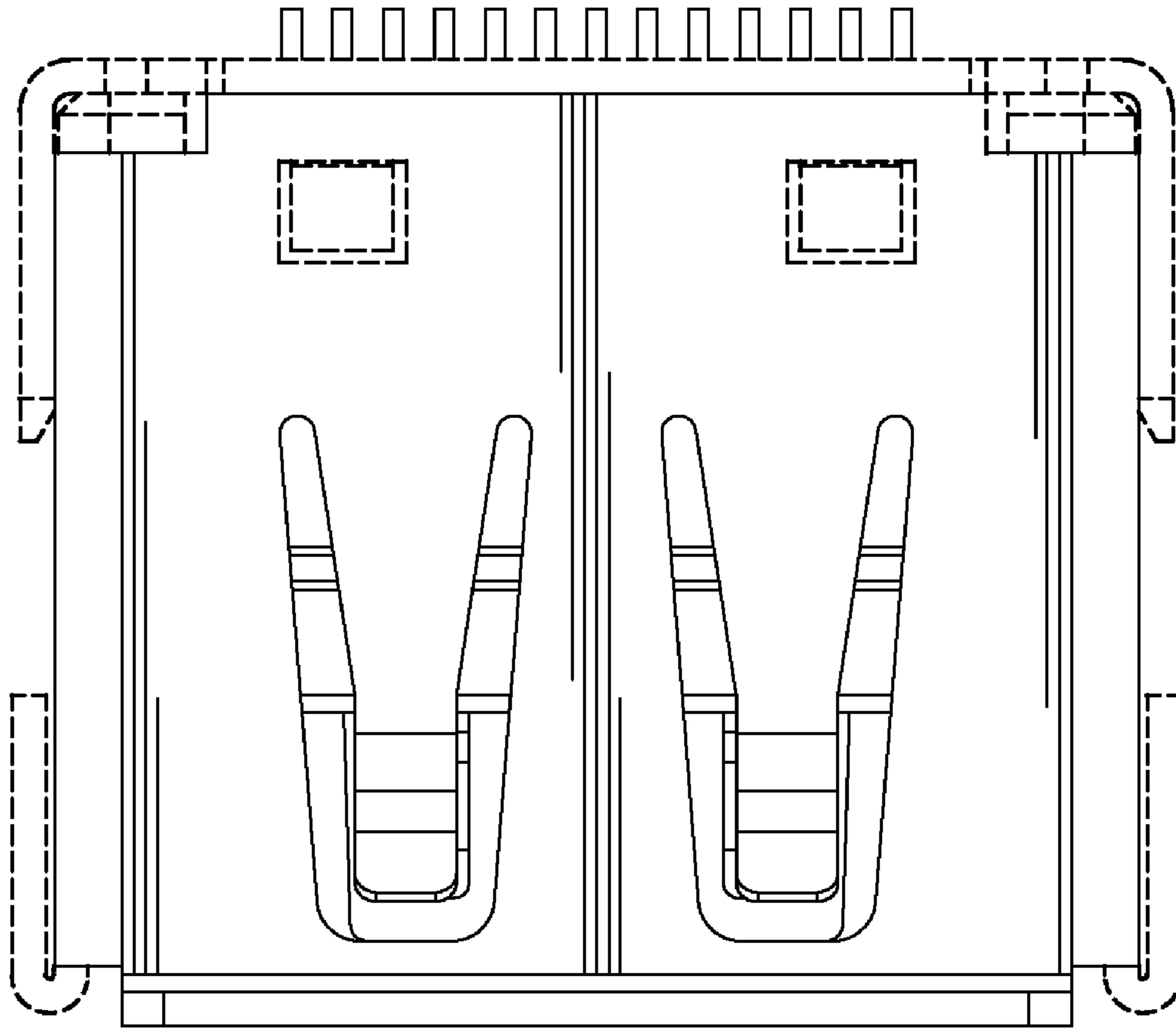


FIG. 6

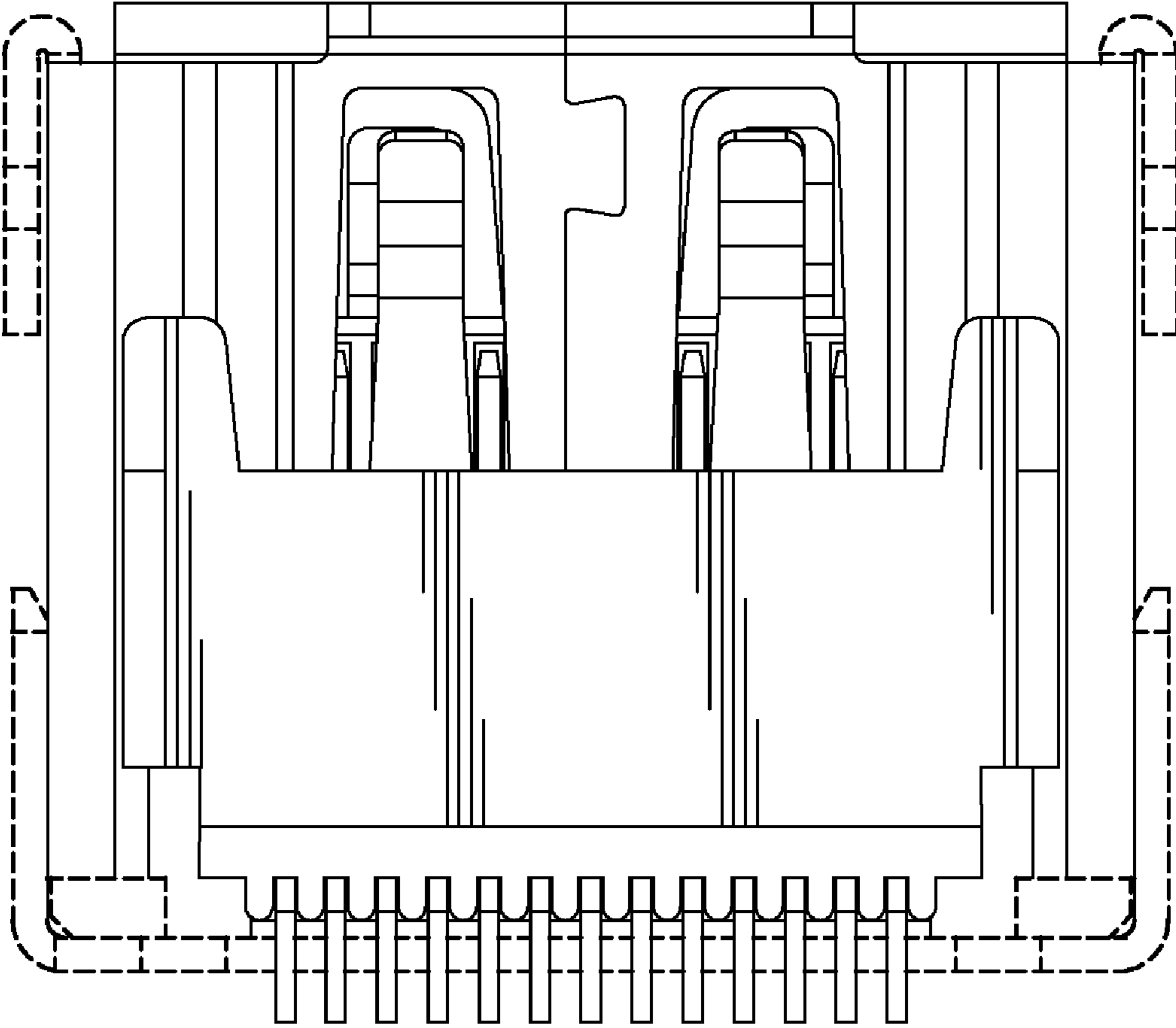


FIG. 7