



US00D608737S

(12) **United States Design Patent**
Upham et al.

(10) **Patent No.:** **US D608,737 S**
(45) **Date of Patent:** **** Jan. 26, 2010**

(54) **PLUG FOR TRAILER WIRING**

(75) Inventors: **Matthew Neal Upham**, Neosho Rapids, KS (US); **Daniel L. Scheller**, Emporia, KS (US)

(73) Assignee: **Hopkins Manufacturing Corporation**, Emporia, KS (US)

(**) Term: **14 Years**

(21) Appl. No.: **29/327,366**

(22) Filed: **Nov. 4, 2008**

(51) **LOC (9) Cl.** **13-03**

(52) **U.S. Cl.** **D13/147**

(58) **Field of Classification Search** D13/133,
D13/146-147, 153, 154, 184; 439/164, 259,
439/262, 310, 338, 344, 378, 379, 891
See application file for complete search history.

(56) **References Cited**

U.S. PATENT DOCUMENTS

D505,918 S * 6/2005 Conway et al. D13/147
D509,474 S * 9/2005 Bihrer D13/146
D512,965 S * 12/2005 Dobler D13/146
D527,346 S * 8/2006 Brodin D13/146
D559,785 S * 1/2008 Tosetti D13/147

D585,837 S * 2/2009 Kuehne et al. D13/154
D587,653 S * 3/2009 Barnes et al. D13/138.1

* cited by examiner

Primary Examiner—Daniel D Bui

(74) *Attorney, Agent, or Firm*—George R. McGuire; Bond Schoeneck & King, PLLC

(57) **CLAIM**

The ornamental design for a plug for trailer wiring, as shown and described.

DESCRIPTION

FIG. 1 is a top, front and side perspective view of a plug for trailer wiring showing our new design;

FIG. 2 is a front elevation view thereof;

FIG. 3 is a rear elevation view thereof;

FIG. 4 is a first side elevation view thereof;

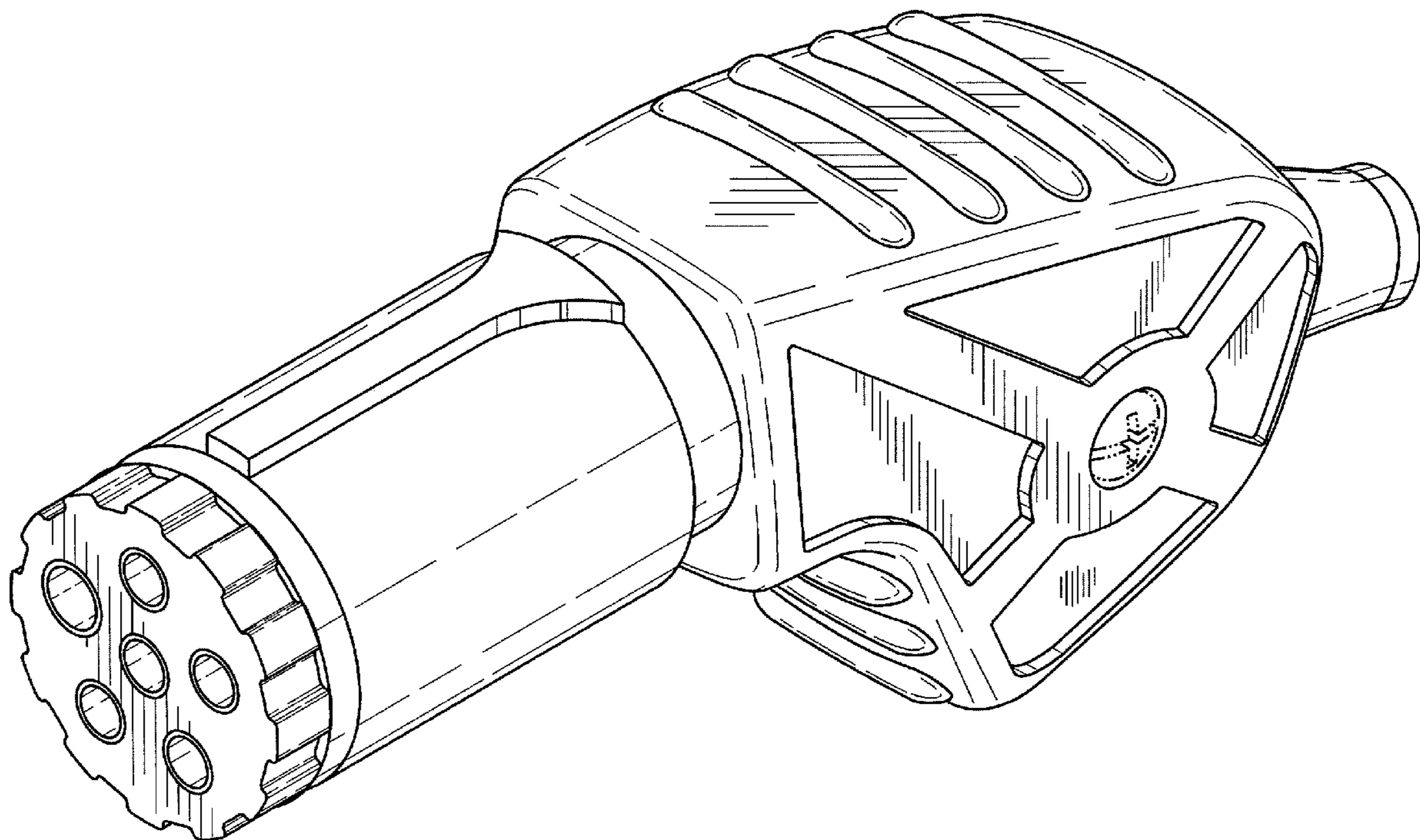
FIG. 5 is a second side elevation view thereof;

FIG. 6 is a bottom plan view thereof; and,

FIG. 7 is a top plan view thereof.

The broken line portion of the figure drawings is included to show unclaimed subject matter only and forms no part of the claimed design.

1 Claim, 3 Drawing Sheets



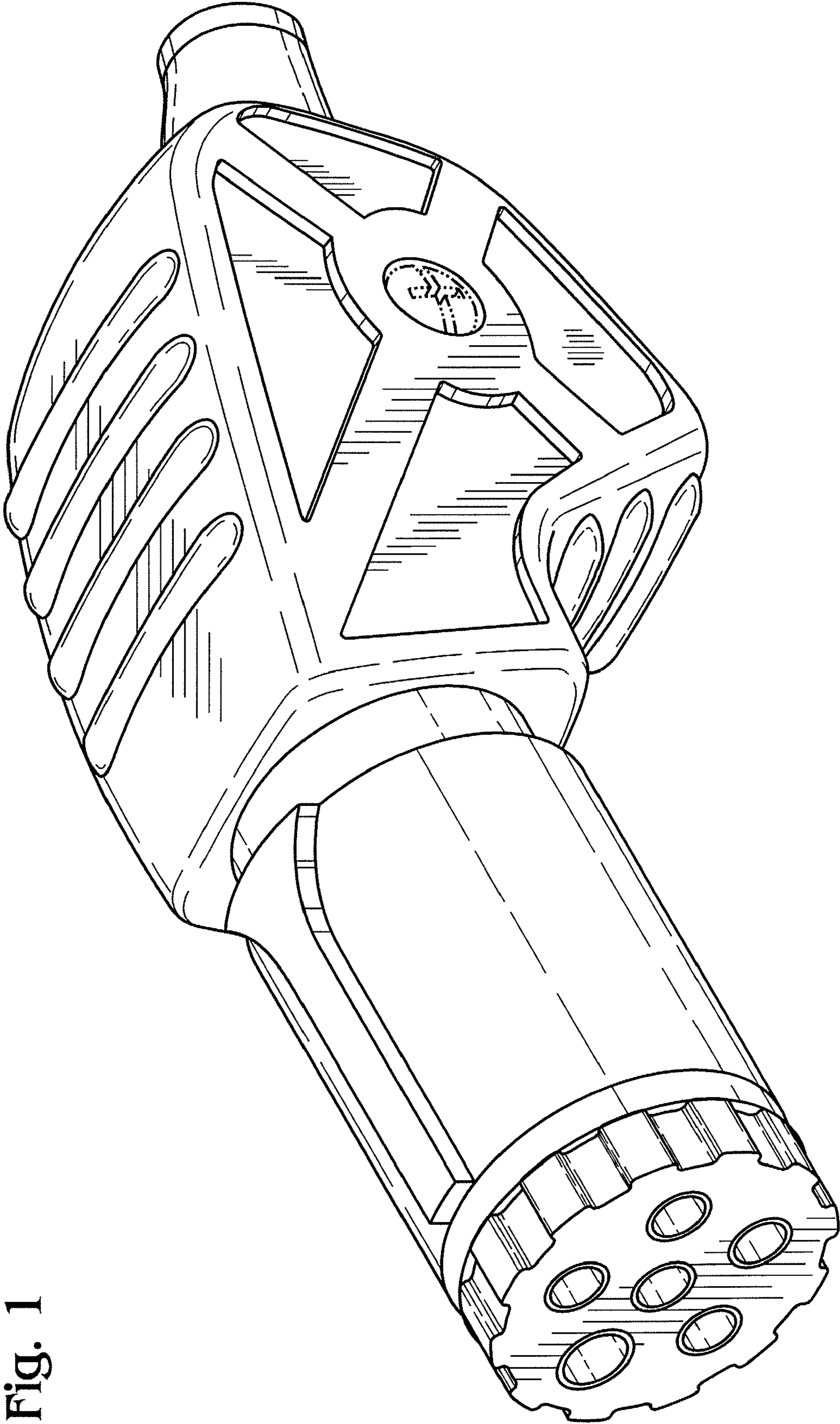


Fig. 1

Fig. 2

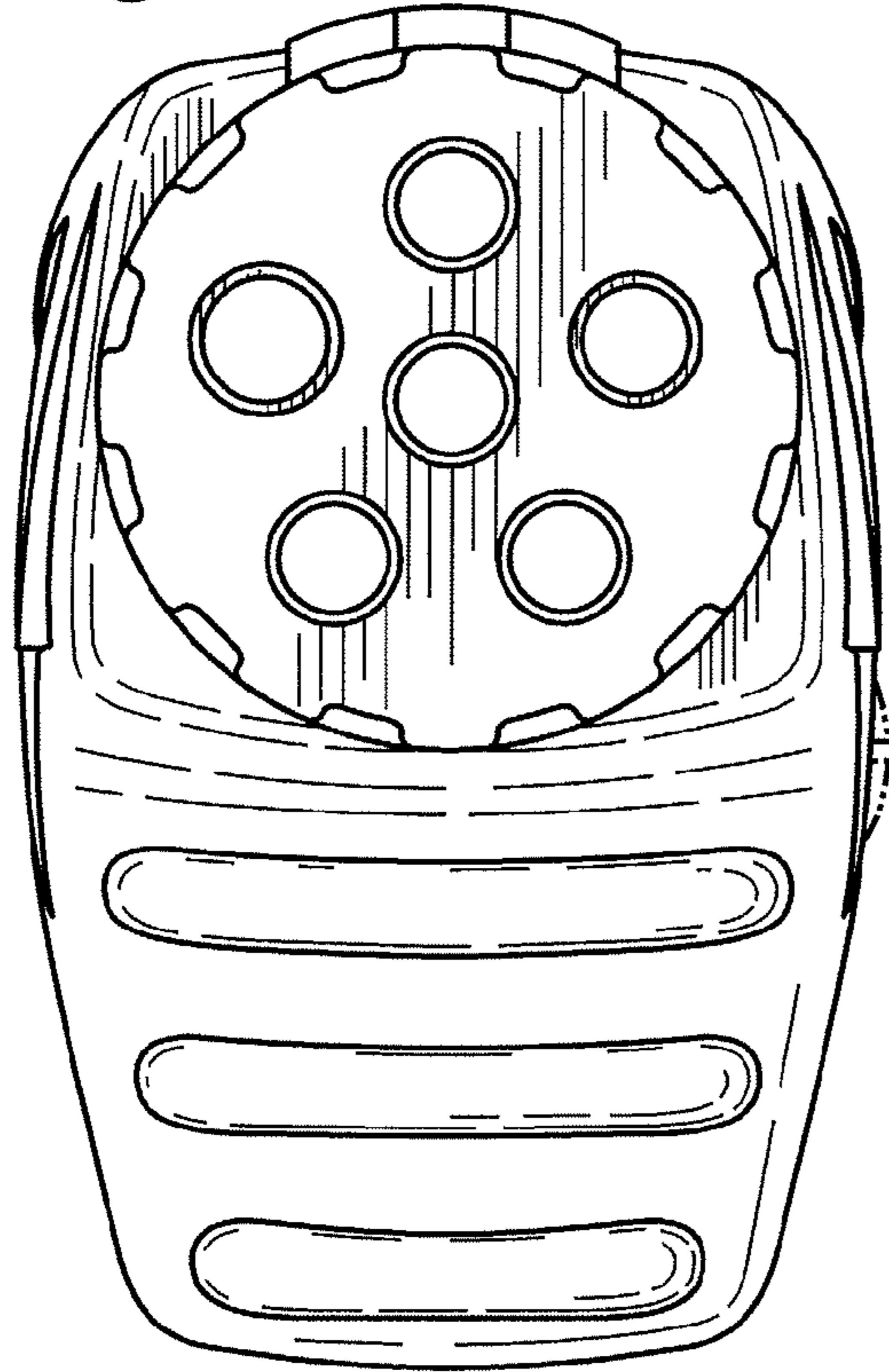


Fig. 3

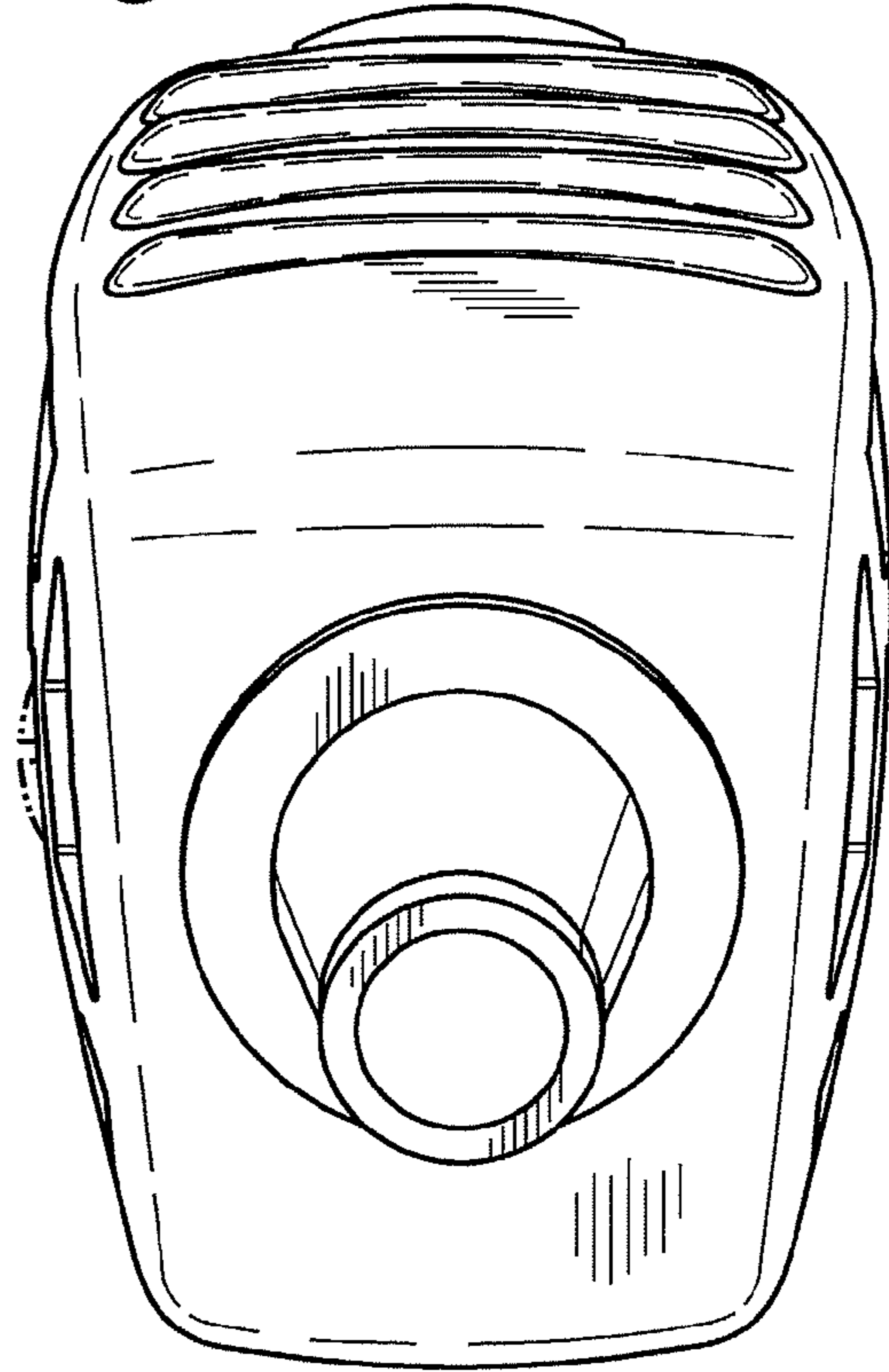


Fig. 4

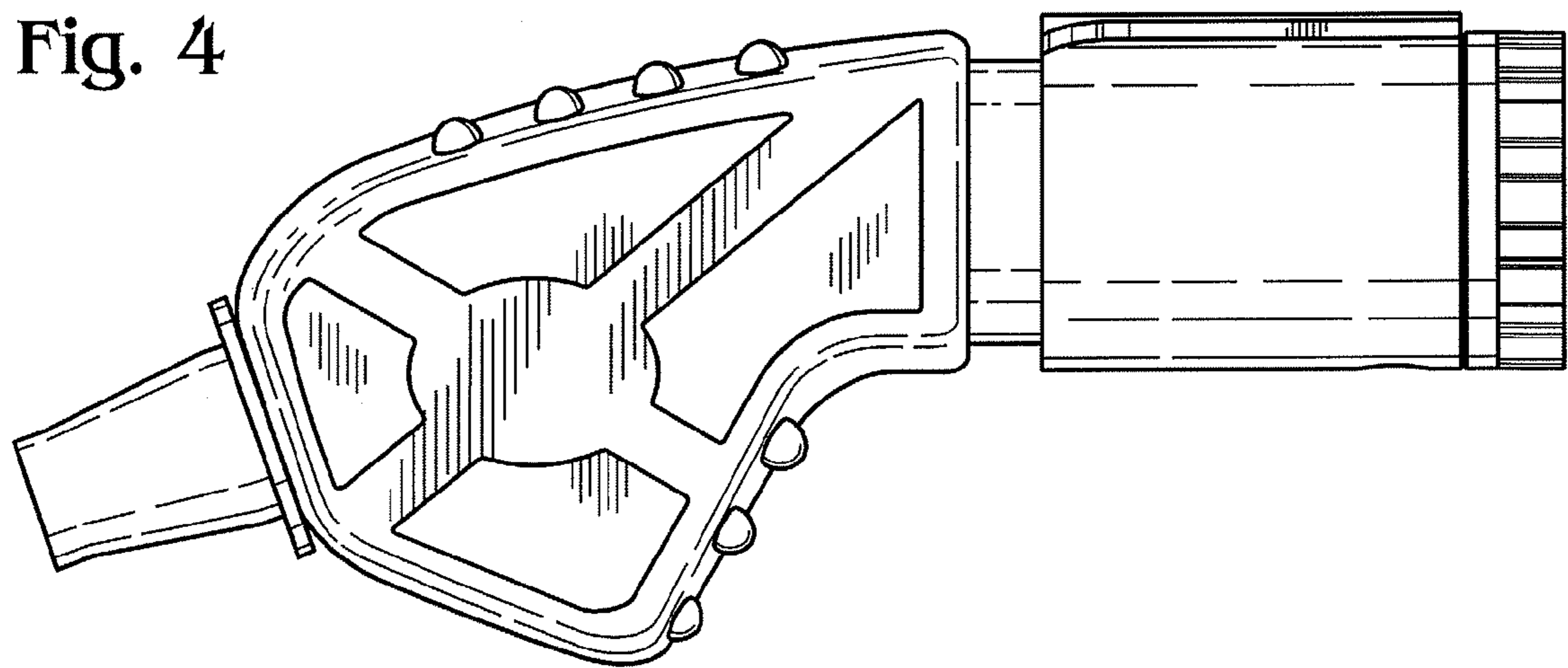


Fig. 5

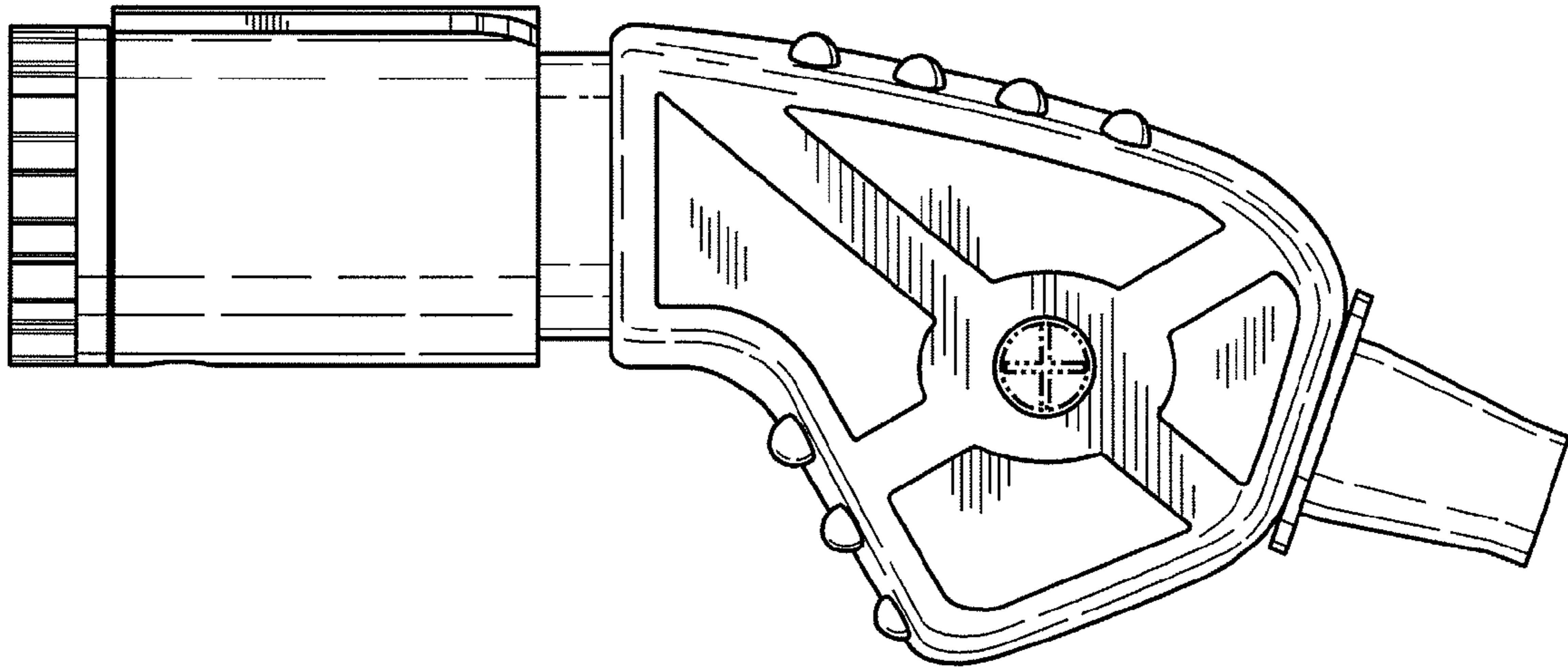


Fig. 6

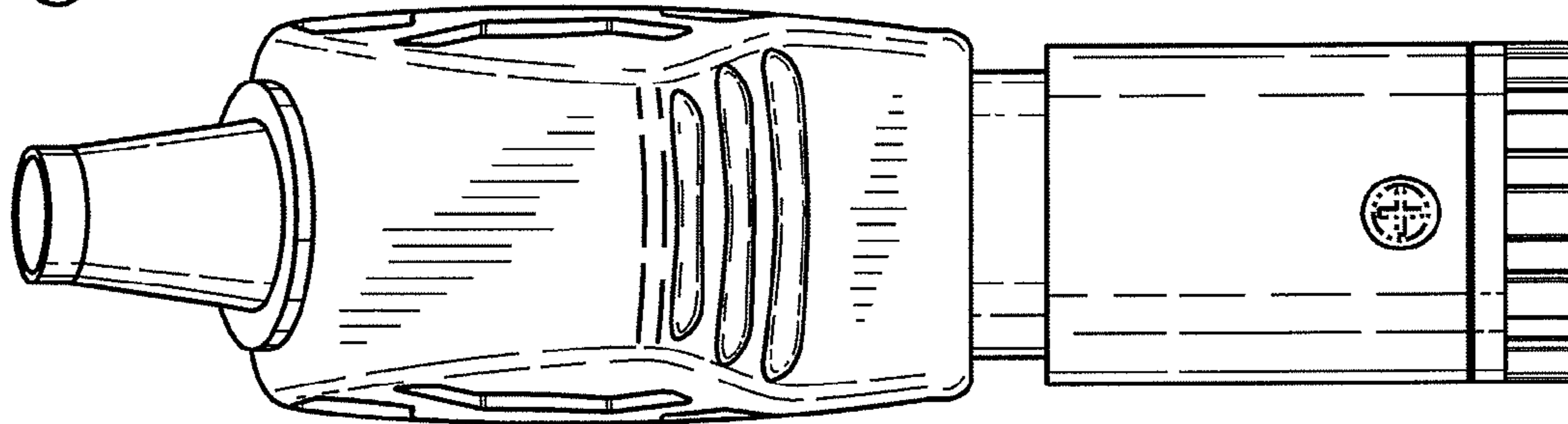


Fig. 7

