



US00D608736S

(12) **United States Design Patent**
Brock

(10) **Patent No.:** **US D608,736 S**
(45) **Date of Patent:** **** Jan. 26, 2010**

(54) **DIFFUSER FOR A WIND TURBINE**

(75) Inventor: **Gerald E. Brock**, Livonia, NY (US)

(73) Assignee: **WindTamer Corporation**, Geneseo, NY (US)

(**) Term: **14 Years**

(21) Appl. No.: **29/340,140**

(22) Filed: **Jul. 14, 2009**

(51) **LOC (9) Cl.** **13-02**

(52) **U.S. Cl.** **D13/115**

(58) **Field of Classification Search** D13/115,
D13/101, 118, 184, 199; D23/386, 387,
D23/388, 390; D26/118, 130, 131, 136,
D26/137; D28/18; 29/889.2; 60/726, 751;
290/43, 52, 53, 54, 55; 415/1, 2.1, 7, 148,
415/208.2, 209.1, 209.2; 416/247 R

See application file for complete search history.

(56) **References Cited**

U.S. PATENT DOCUMENTS

D95,520 S *	5/1935	Laxer	D26/136
3,364,678 A	1/1968	Alford		
3,425,665 A	2/1969	Lingwood		
3,978,664 A	9/1976	Parker et al.		
4,021,135 A	5/1977	Pedersen et al.		
4,075,500 A	2/1978	Oman et al.		
4,166,596 A *	9/1979	Mouton et al.	244/30
4,177,638 A	12/1979	Wood		
4,218,175 A	8/1980	Carpenter		
4,219,303 A *	8/1980	Mouton et al.	415/7
4,285,481 A	8/1981	Biscomb		
4,324,985 A *	4/1982	Oman	290/55
4,344,394 A	8/1982	Showalter		
4,422,820 A	12/1983	Kirsch et al.		
4,458,479 A	7/1984	Reider et al.		
4,482,290 A	11/1984	Foreman et al.		
4,503,668 A	3/1985	Duncan, III et al.		
4,527,386 A	7/1985	Markowski		
4,684,316 A	8/1987	Karlsson		

D305,419 S *	1/1990	Korneski	D13/115
4,915,580 A	4/1990	Obidniak		
5,060,398 A *	10/1991	Wolens	34/90
D336,762 S *	6/1993	Miller	D25/1
5,462,088 A	10/1995	Poux et al.		
5,660,527 A	8/1997	Deering et al.		
5,704,211 A	1/1998	Hatfield		
6,168,373 B1 *	1/2001	Vauthier	415/7
D437,968 S *	2/2001	Sun et al.	D26/130
D462,141 S *	8/2002	Carlucci et al.	D28/18
6,488,470 B1	12/2002	Owczarek		
6,492,743 B1	12/2002	Appa		
6,638,005 B2	10/2003	Holter et al.		
6,648,589 B2 *	11/2003	Williams	415/1
6,655,907 B2	12/2003	Brock et al.		
D487,060 S *	2/2004	Ehrenberger	D13/115
6,866,479 B2	3/2005	Ishizaka et al.		
7,114,255 B2	10/2006	Sasu et al.		
7,218,011 B2	5/2007	Hiel et al.		
7,230,348 B2	6/2007	Poole		

* cited by examiner

Primary Examiner—Prabhakar Deshmukh

Assistant Examiner—Derrick Holland

(74) *Attorney, Agent, or Firm*—Woods Oviatt Gilman LLP

(57) **CLAIM**

The ornamental design for a diffuser for a wind turbine, as shown and described.

DESCRIPTION

FIG. 1 is a top perspective view of a diffuser for a wind turbine according to the present invention;

FIG. 2 is a top plan view thereof;

FIG. 3 is a front view thereof;

FIG. 4 is a left side view thereof;

FIG. 5 is a right side view thereof;

FIG. 6 is a rear view thereof; and,

FIG. 7 is a bottom plan view thereof.

1 Claim, 2 Drawing Sheets

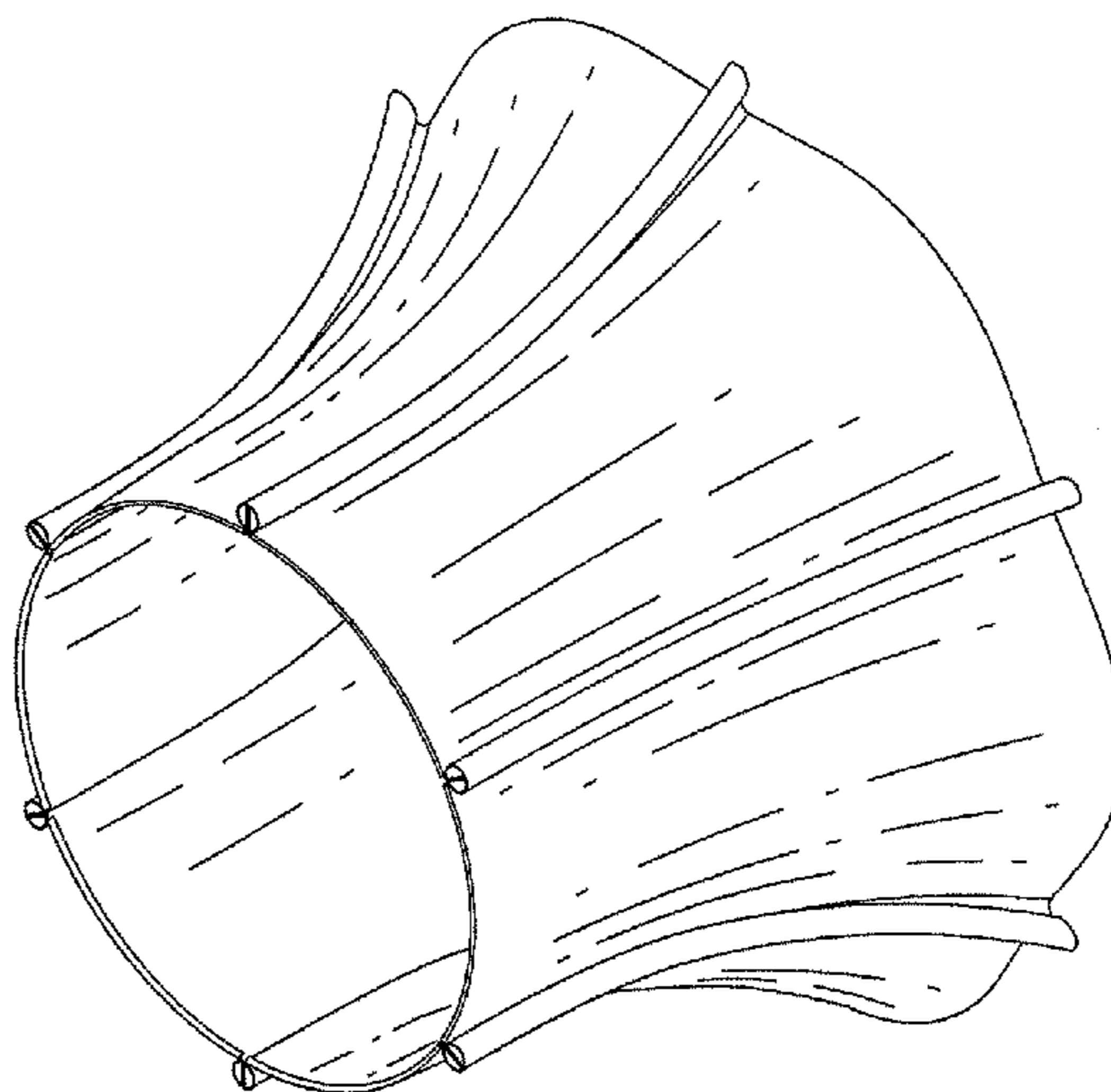


FIG. 1.

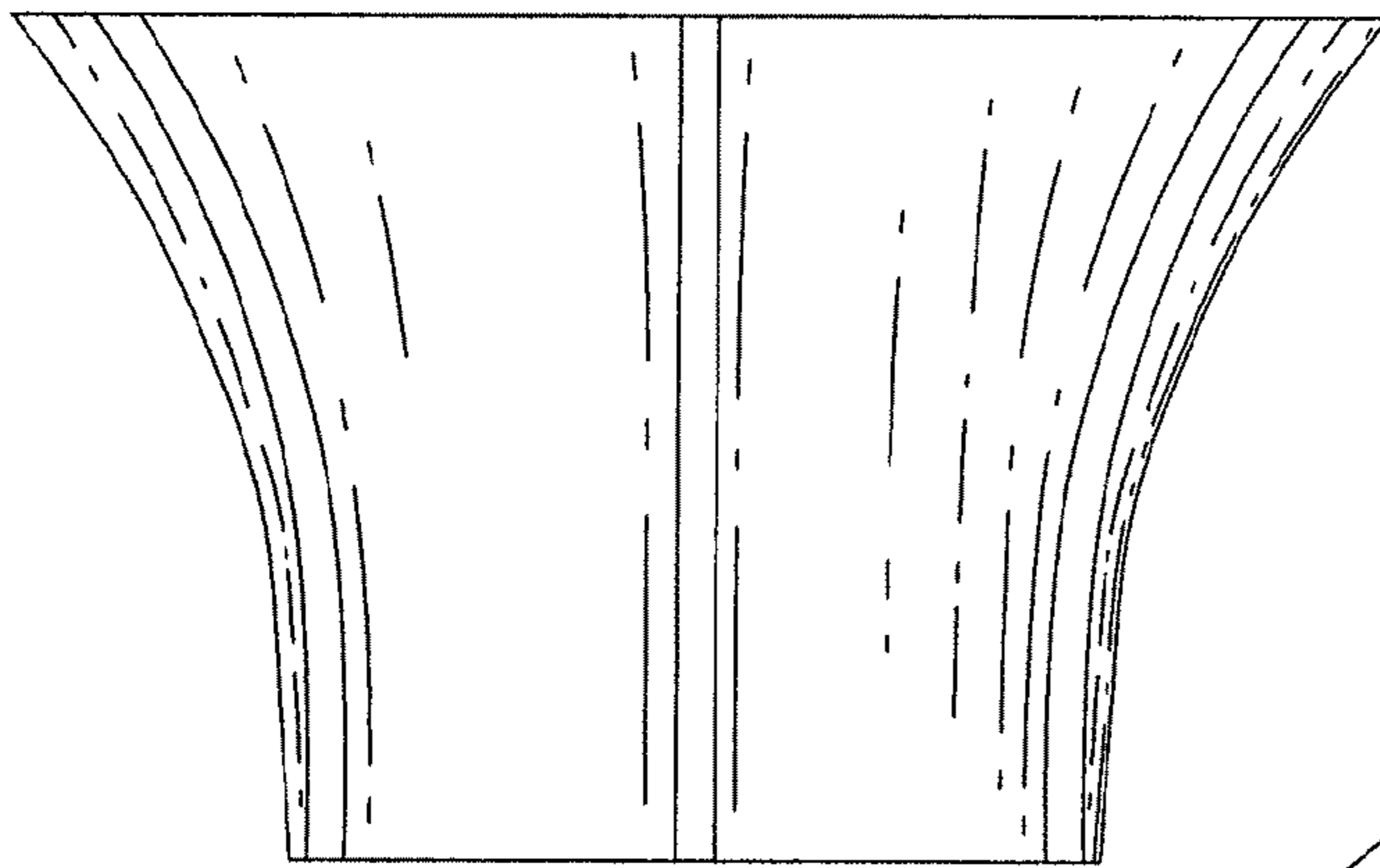
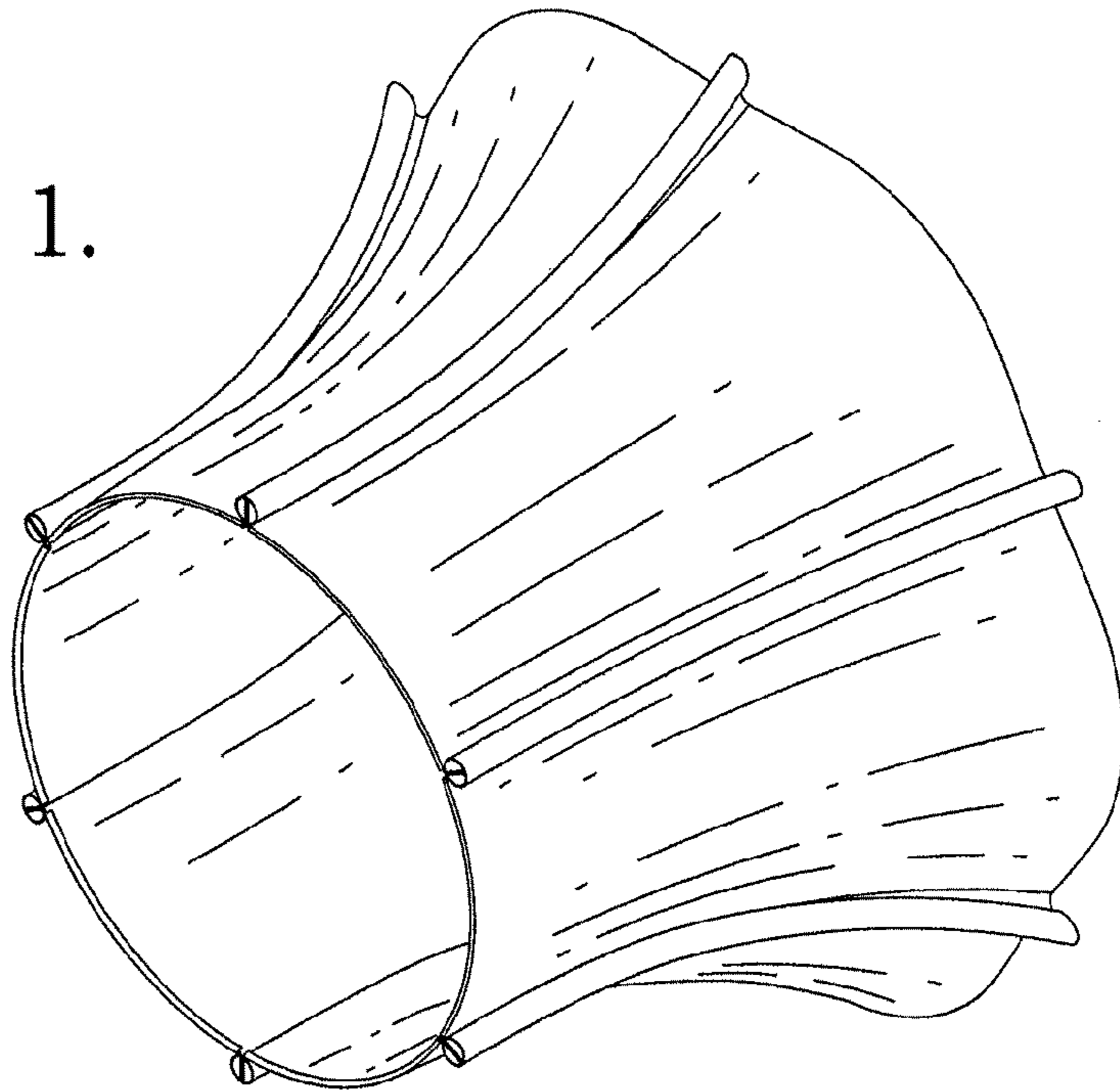


FIG. 2.

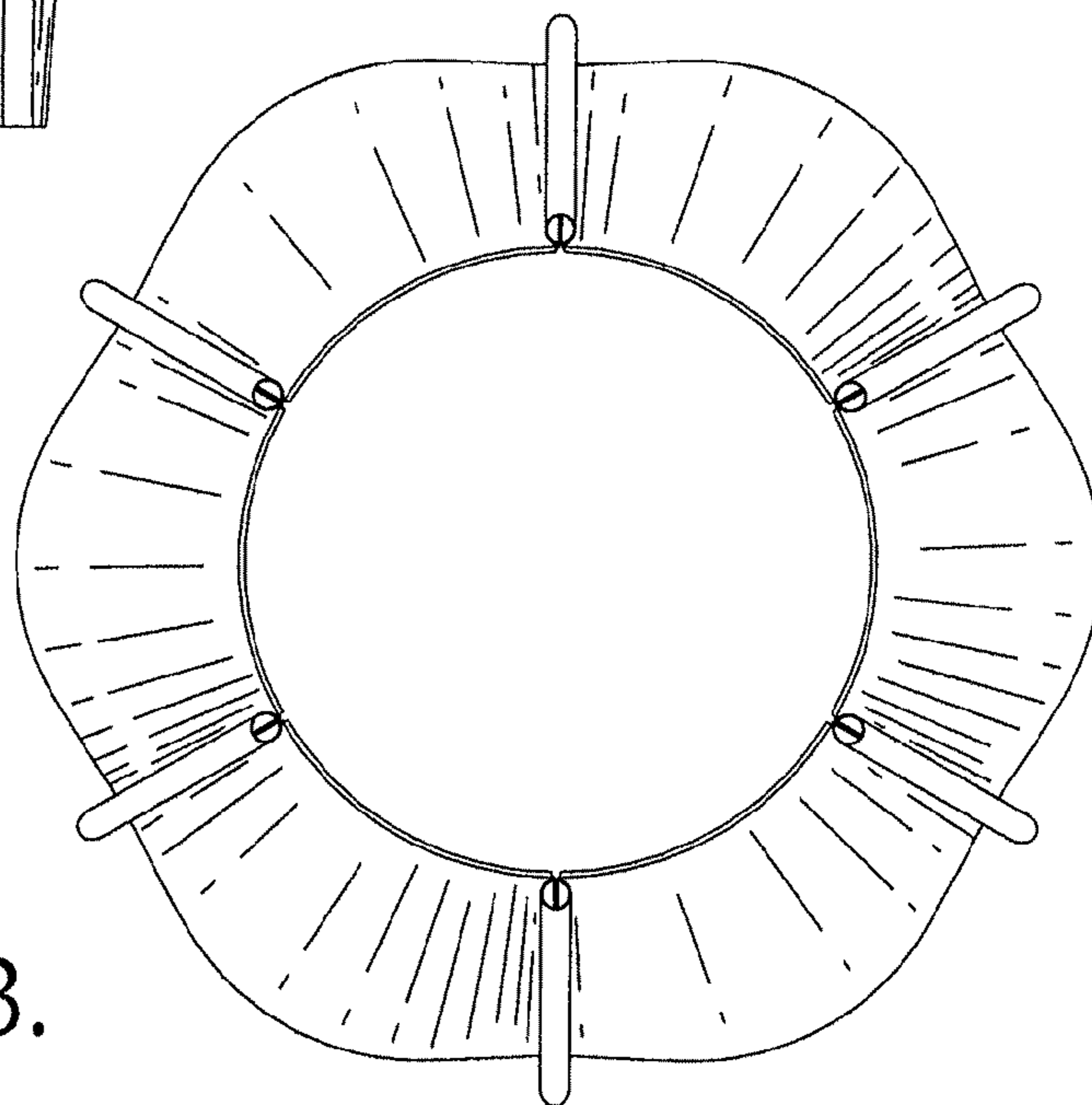


FIG. 3.

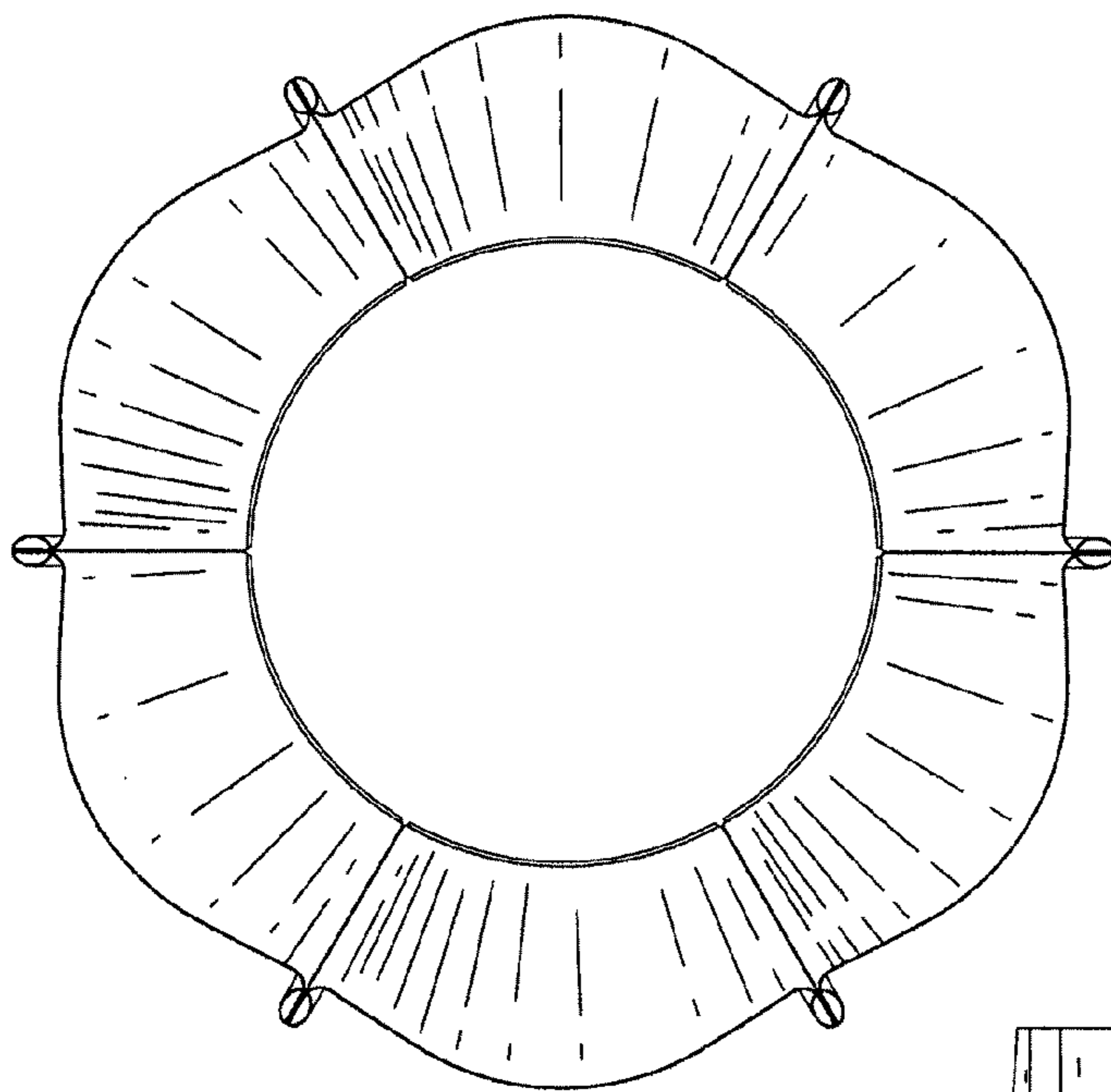
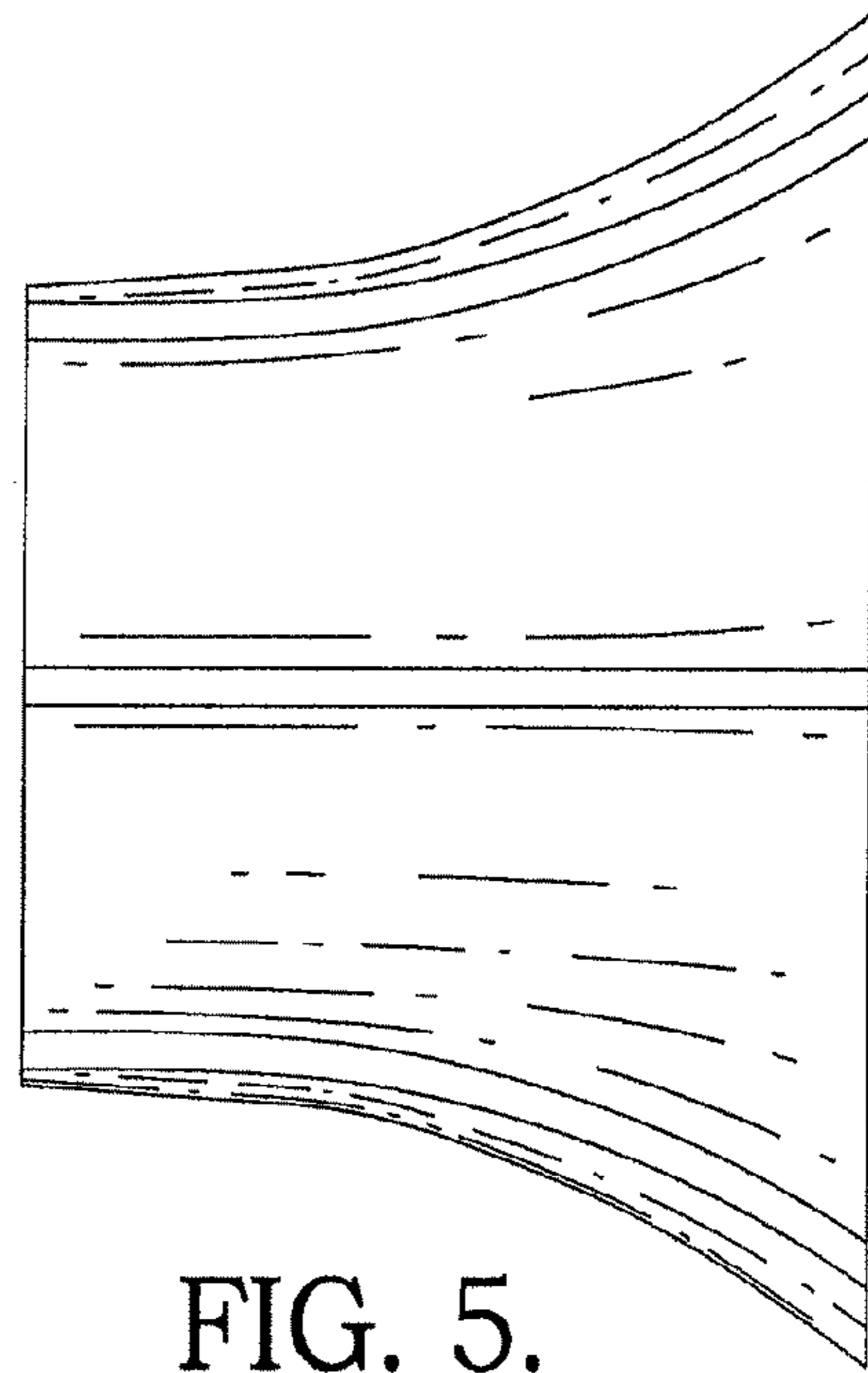
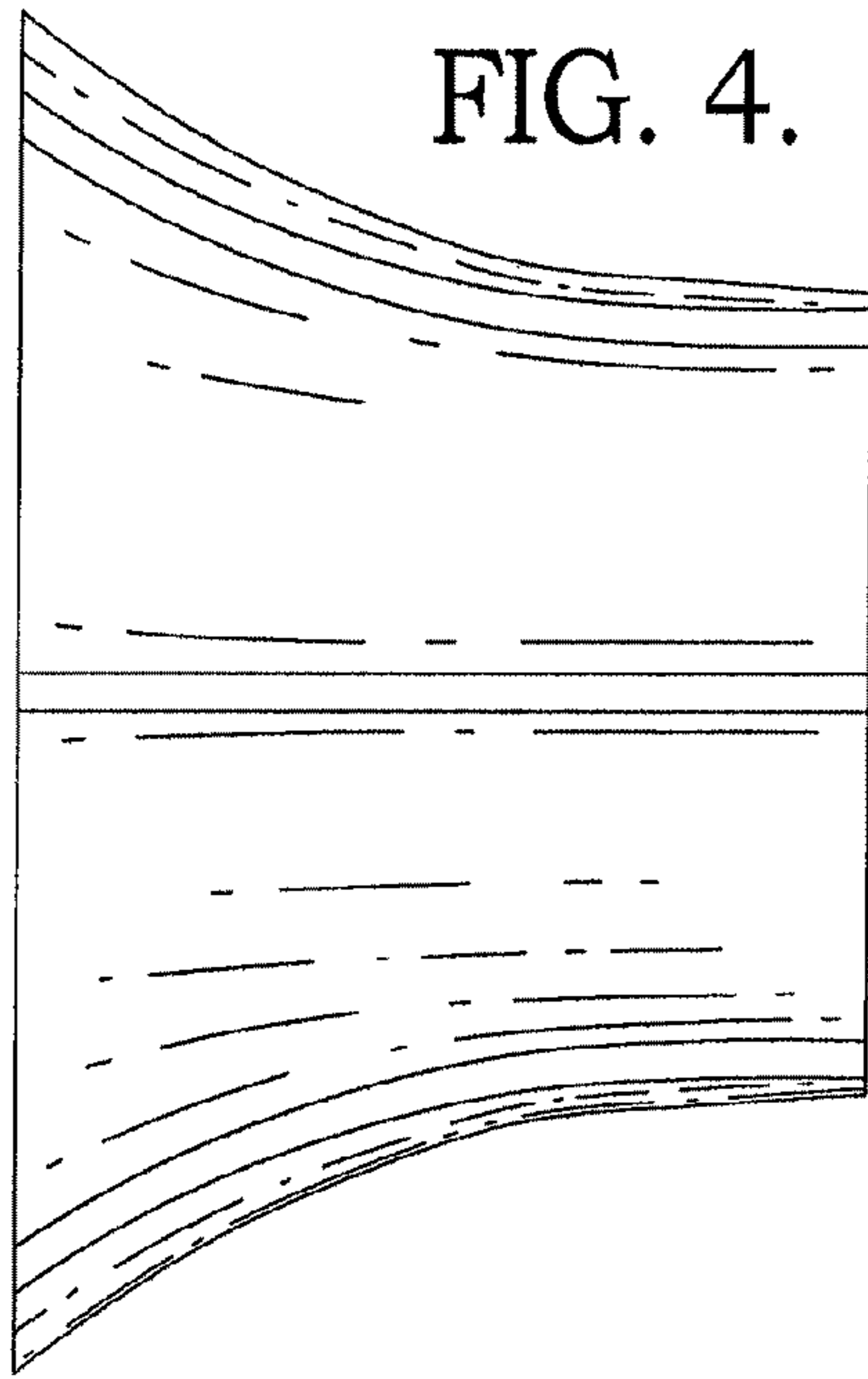


FIG. 7.

