



US00D608735S

(12) **United States Design Patent**
Kashimoto

(10) **Patent No.:** **US D608,735 S**

(45) **Date of Patent:** **** Jan. 26, 2010**

(54) **CONVERTER**

(75) Inventor: **Hiroko Kashimoto**, Kusatsu (JP)

(73) Assignee: **Daikin Industries Ltd.**, Osaka-Shi,
Osaka (JP)

(**) Term: **14 Years**

(21) Appl. No.: **29/311,854**

(22) Filed: **Jul. 14, 2009**

(51) **LOC (9) Cl.** **13-02**

(52) **U.S. Cl.** **D13/110**

(58) **Field of Classification Search** D13/110,
D13/101, 123, 162, 184, 199; D14/348,
D14/349, 353, 357, 358; 361/600, 601, 702,
361/704, 707, 715, 730; 363/15, 35, 157,
363/174, 175, 177

See application file for complete search history.

(56) **References Cited**

U.S. PATENT DOCUMENTS

D349,682	S	*	8/1994	Hunziker	D13/110
D350,529	S	*	9/1994	Hunziker	D13/110
D363,056	S	*	10/1995	Vinciarelli et al.	D13/110
D365,082	S	*	12/1995	Cook et al.	D13/110
5,742,478	A	*	4/1998	Wu	361/704
D401,216	S	*	11/1998	Person et al.	D13/110
6,031,726	A	*	2/2000	Vinciarelli et al.	361/761
D426,810	S	*	6/2000	Wei	D13/110
D427,147	S	*	6/2000	Wei	D13/110
D510,906	S	*	10/2005	Vinciarelli et al.	D13/110
D520,947	S	*	5/2006	Vinciarelli et al.	D13/110

* cited by examiner

Primary Examiner—Prabhakar Deshmukh

Assistant Examiner—Derrick Holland

(74) *Attorney, Agent, or Firm*—Manabu Kanesaka

(57) **CLAIM**

The ornamental design for a converter, as shown and described.

DESCRIPTION

FIG. 1 is a perspective view from above of a converter showing my new design;

FIG. 2 is another perspective view from bottom thereof;

FIG. 3 is a front view thereof;

FIG. 4 is a rear view thereof;

FIG. 5 is a top plan view thereof;

FIG. 6 is a bottom plan view thereof;

FIG. 7 is a right side view thereof;

FIG. 8 is a left side view thereof;

FIG. 9 is a sectional view thereof taken along line 9—9 in FIG. 3, wherein the internal mechanism is omitted;

FIG. 10 is another sectional view thereof taken along line 10—10 in FIG. 3, wherein the internal mechanism is omitted;

FIG. 11 is another sectional view thereof taken along line 11—11 in FIG. 6, wherein the internal mechanism is omitted; and,

FIG. 12 is another perspective view from above thereof, wherein a front cover is open.

The broken lines shown represent unclaimed subject matter and form no part of the claimed design.

1 Claim, 9 Drawing Sheets

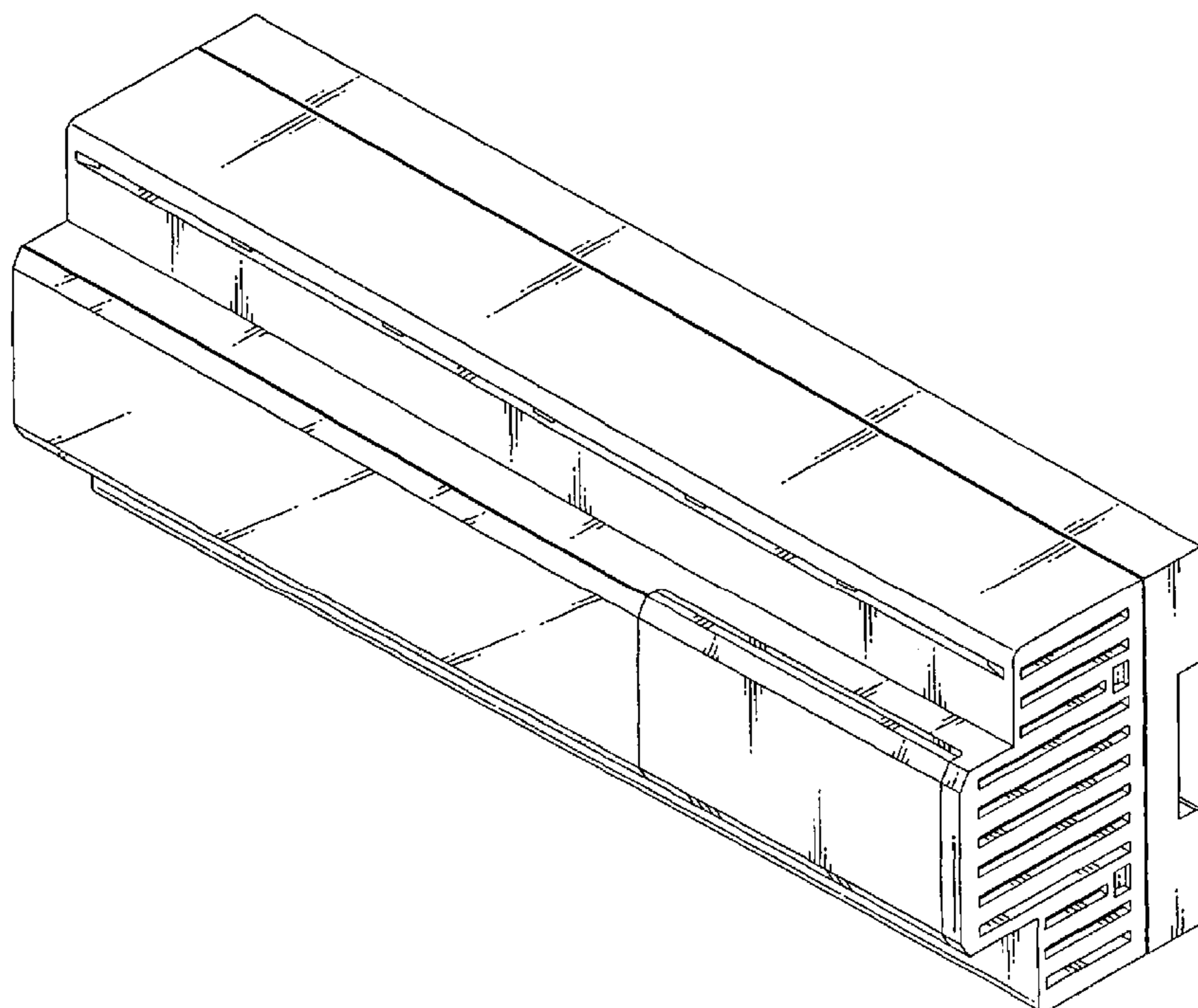


FIG.1

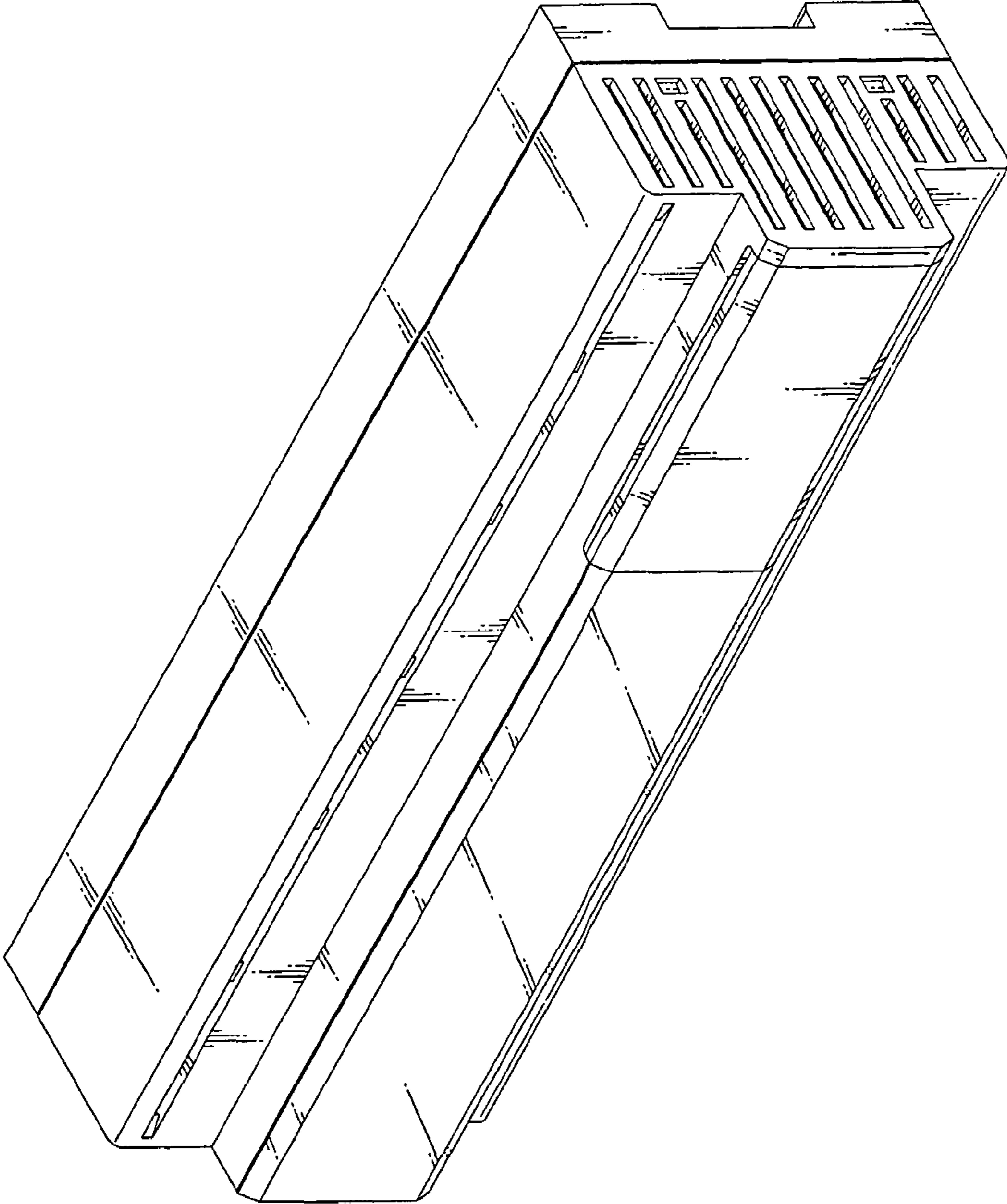


FIG.2

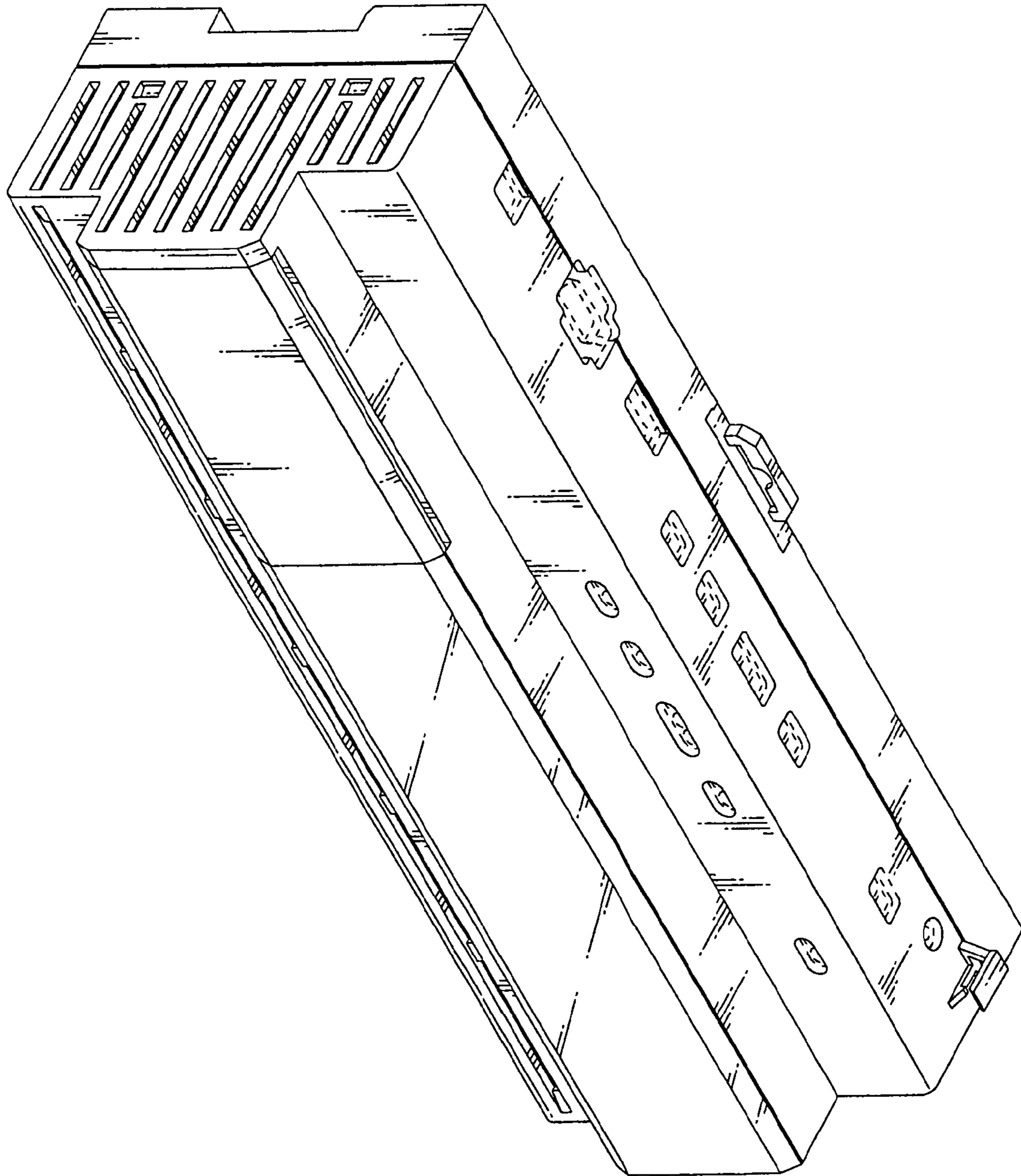


FIG.3

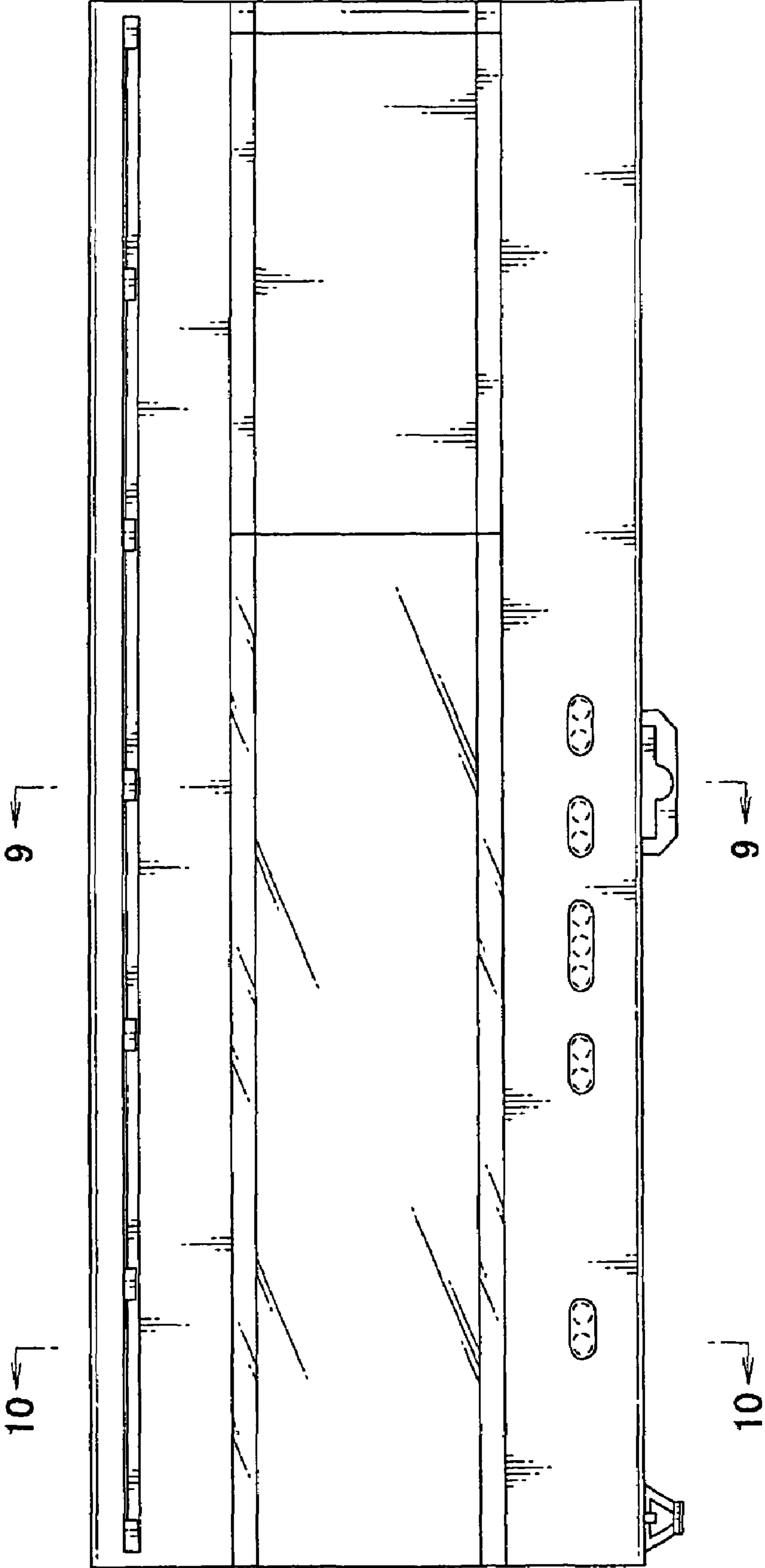


FIG.4

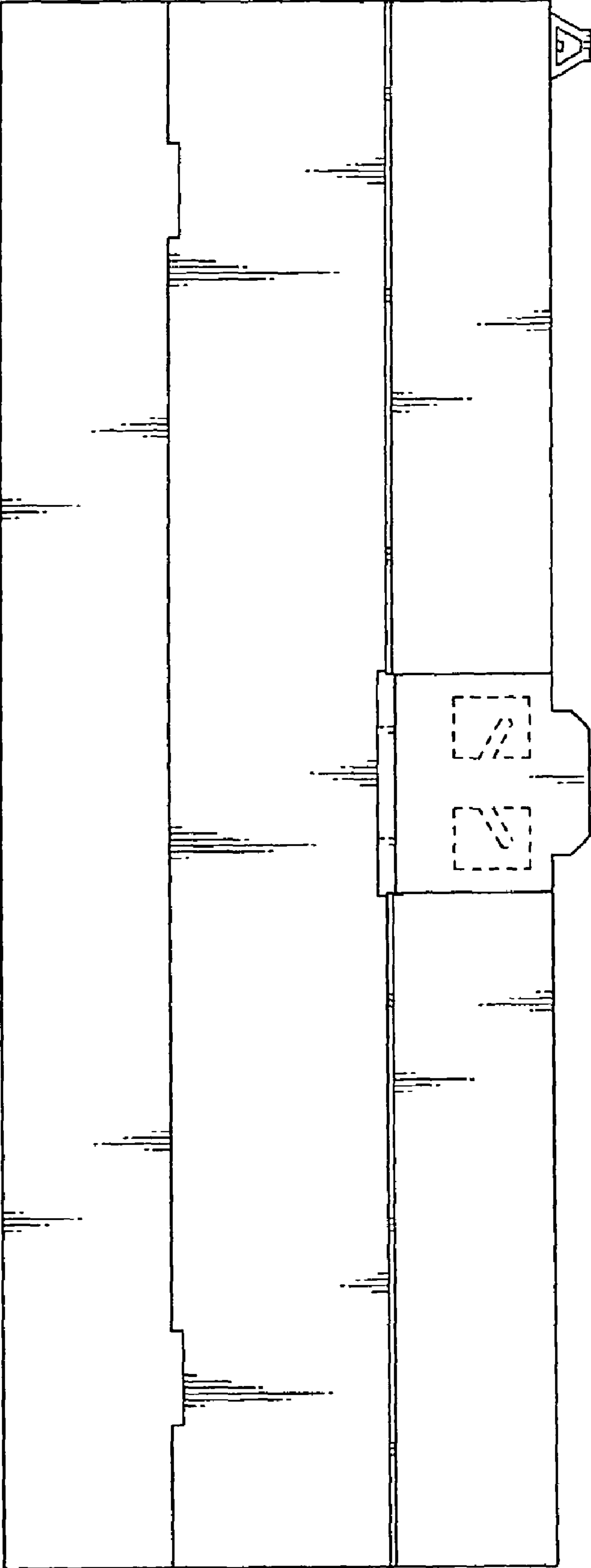


FIG.5

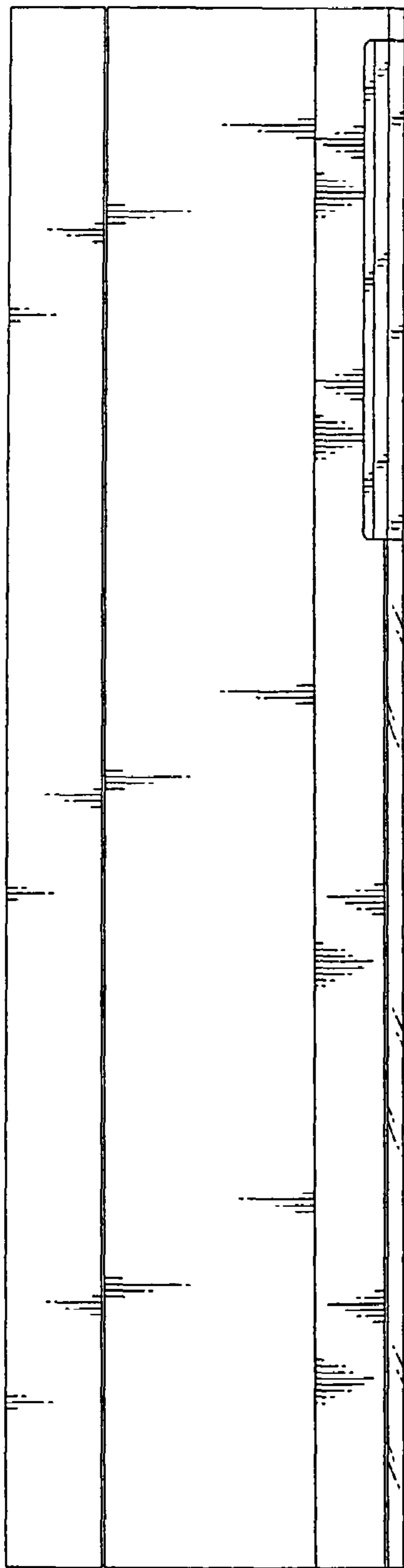


FIG.6

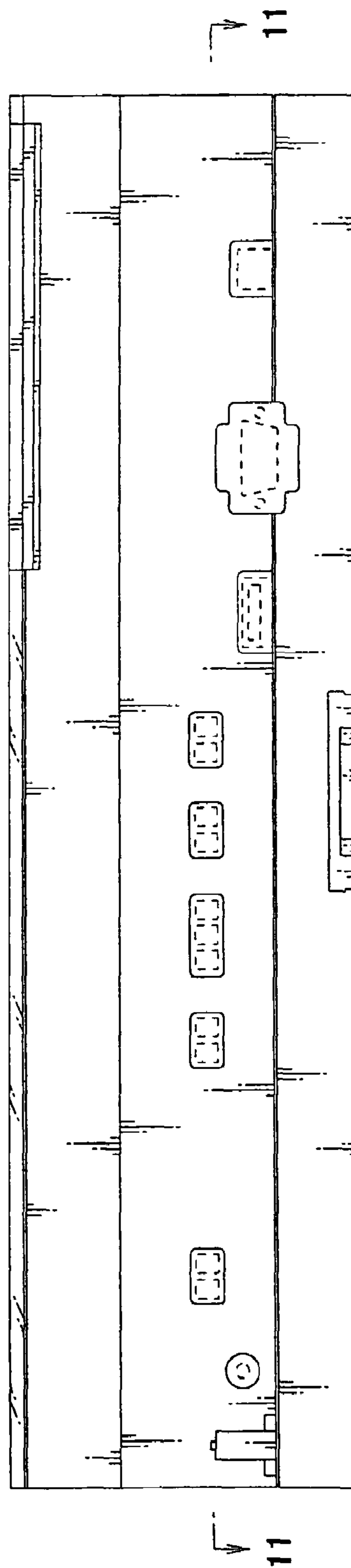


FIG.8

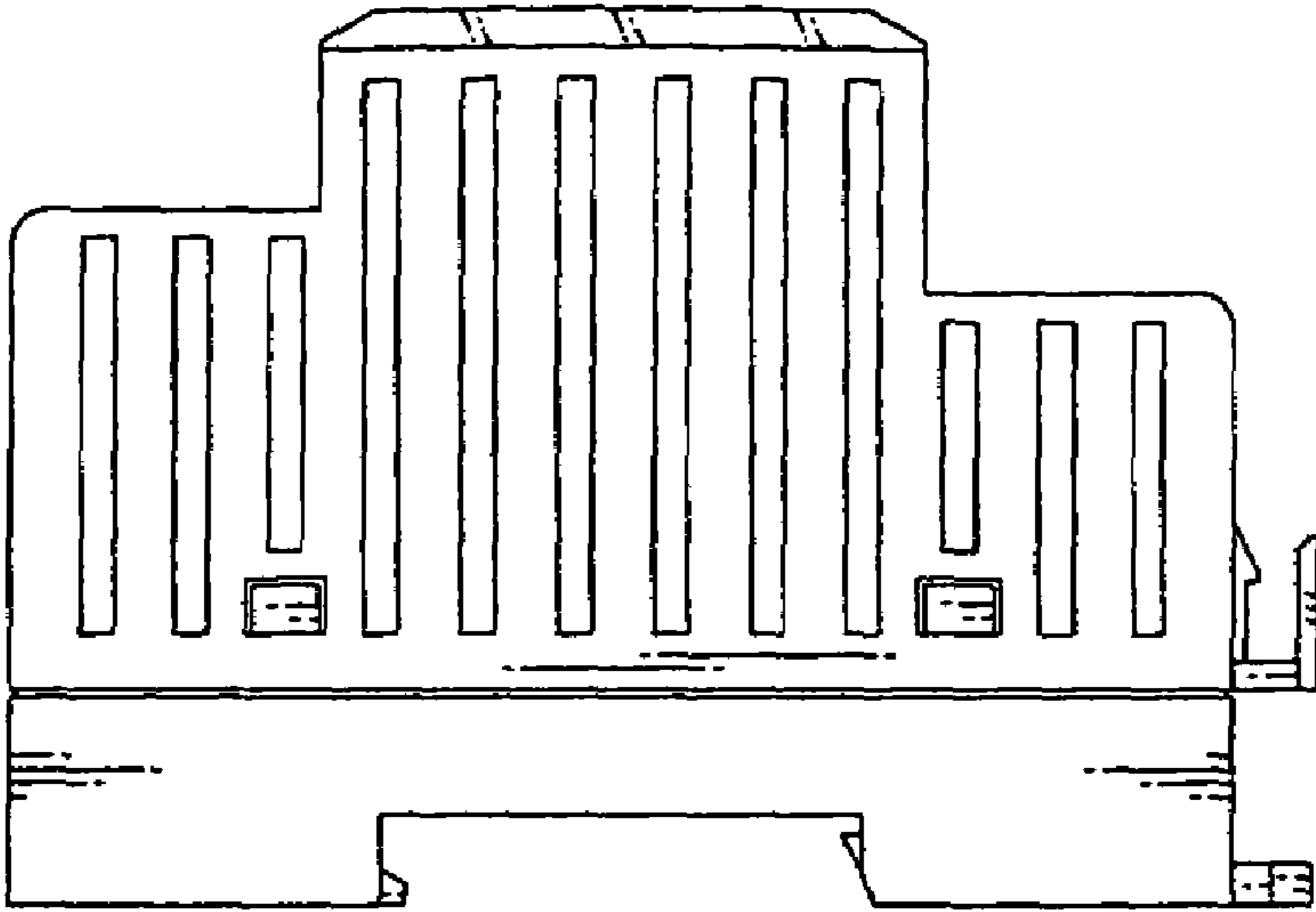


FIG.7

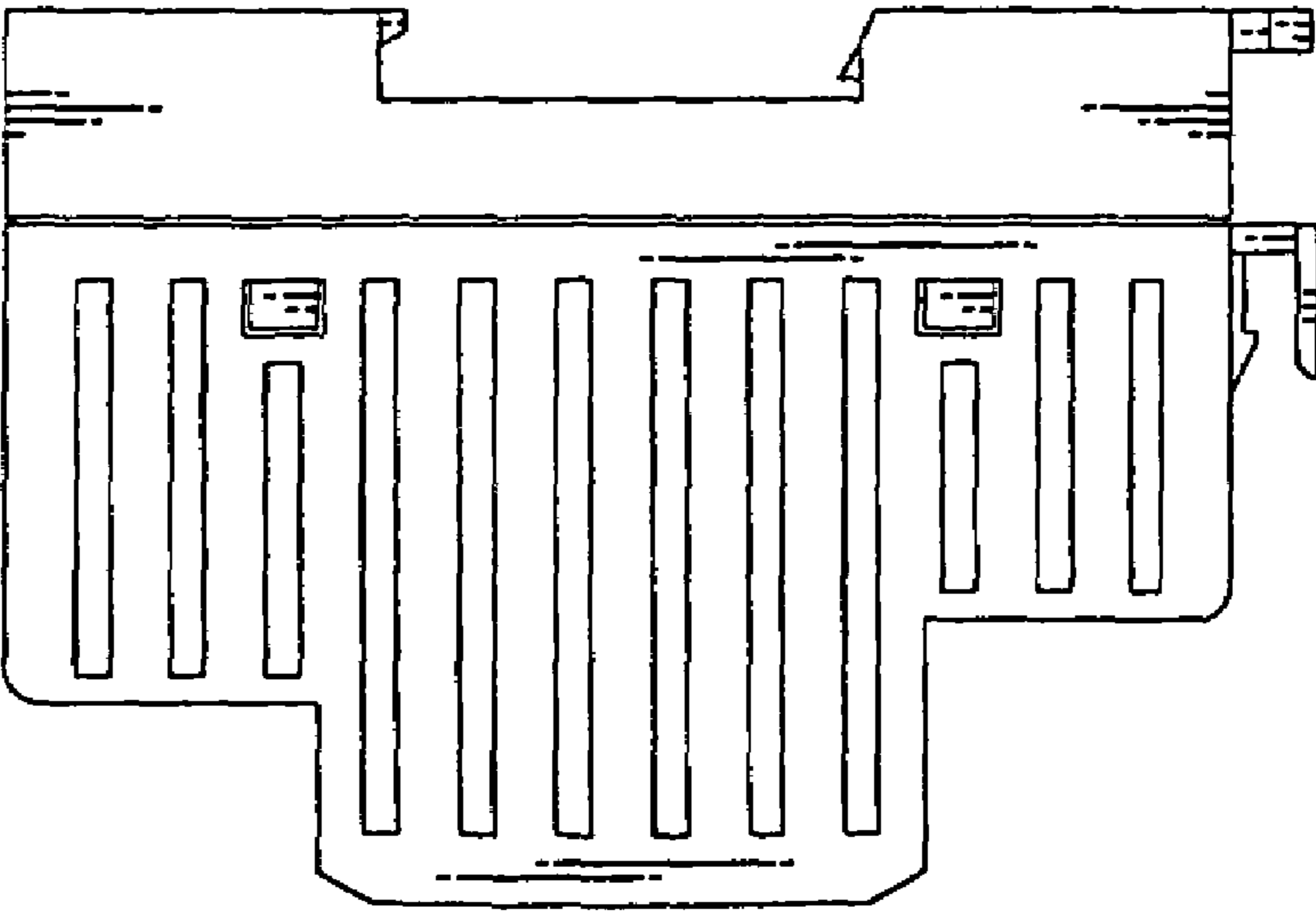


FIG.10

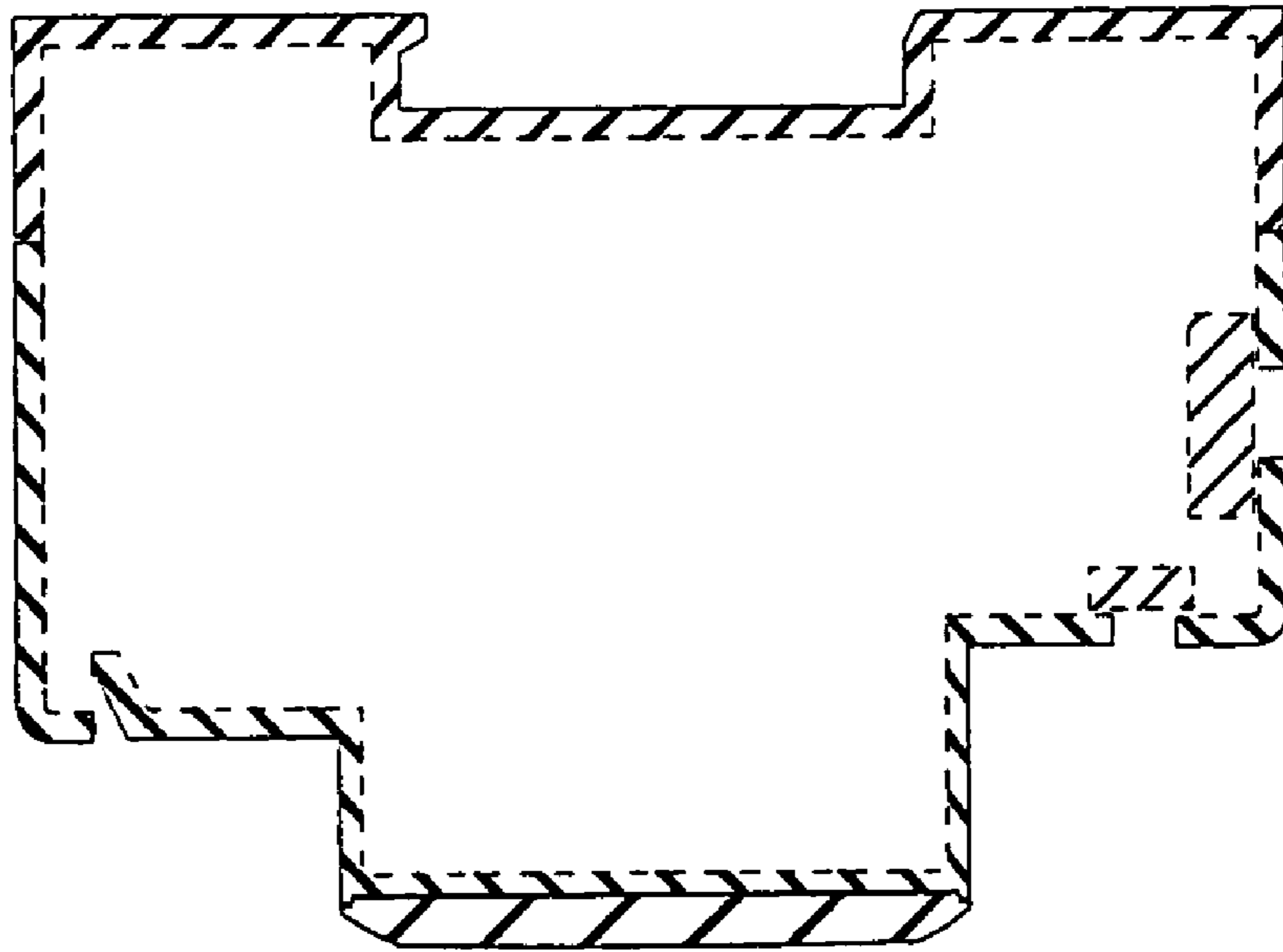


FIG.9

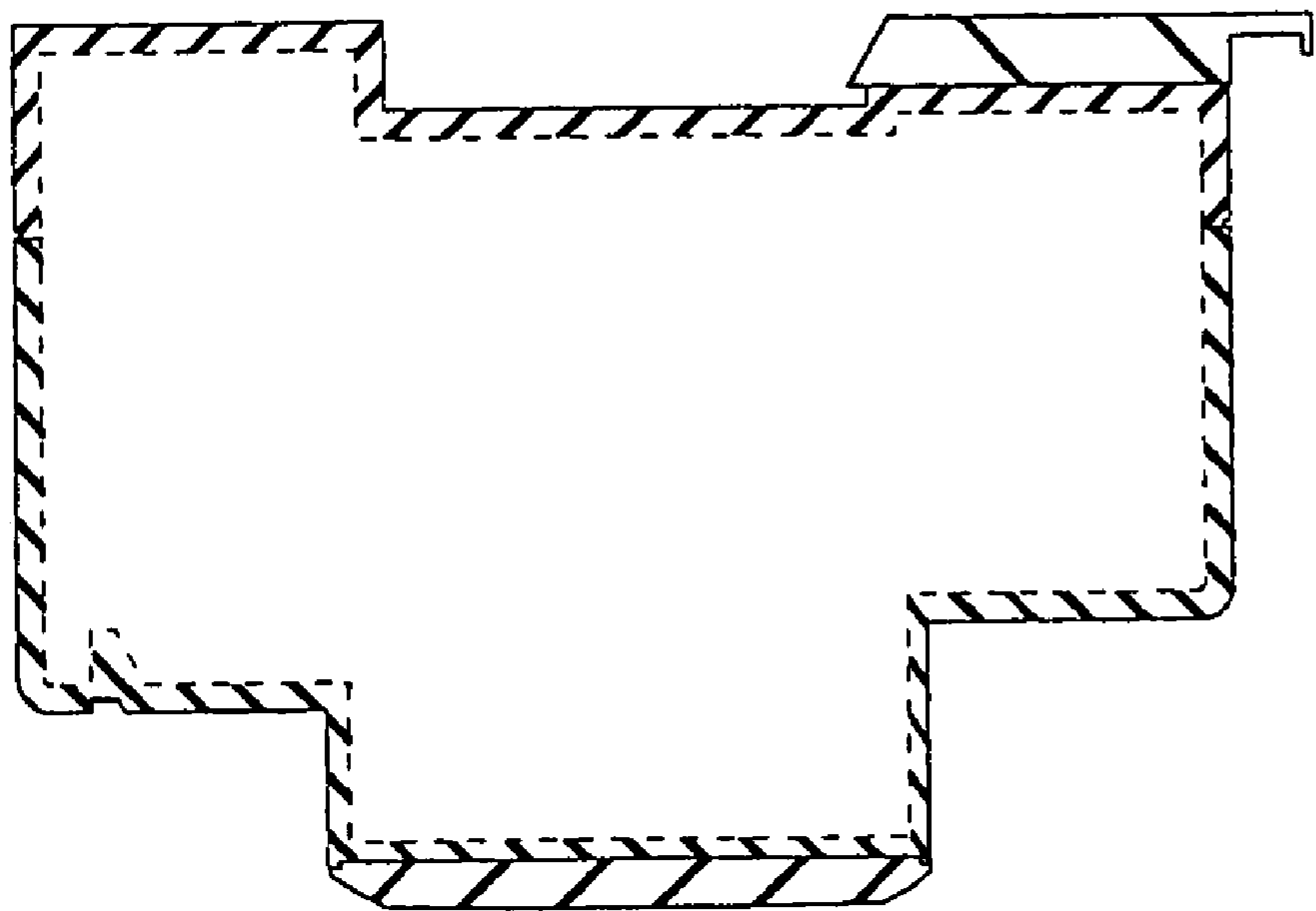


FIG.11

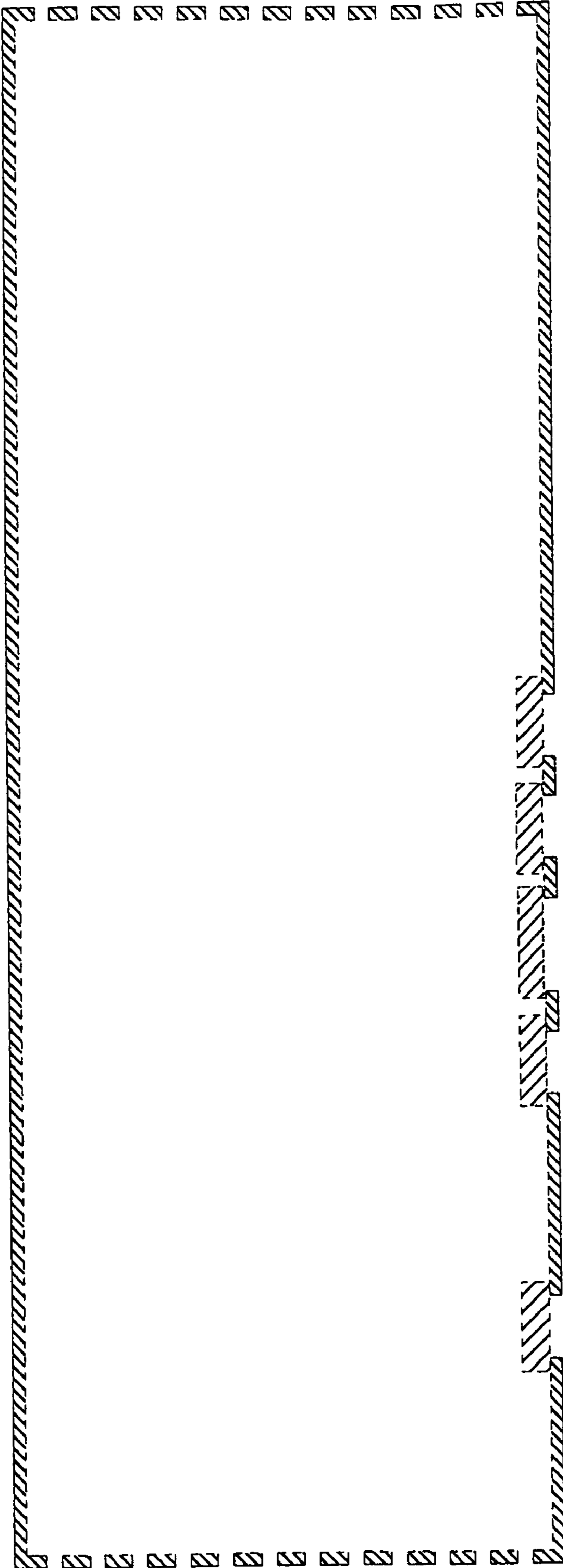


FIG.12

