



US00D608731S

(12) **United States Design Patent**  
**Amit**

(10) **Patent No.:** **US D608,731 S**

(45) **Date of Patent:** **\*\* Jan. 26, 2010**

(54) **CHARGE STATION FOR AN ELECTRIC VEHICLE**

(75) Inventor: **Gad Amit**, San Mateo, CA (US)

(73) Assignee: **Better Place GmbH**, Zug (CH)

(\*\*) Term: **14 Years**

(21) Appl. No.: **29/312,808**

(22) Filed: **Nov. 12, 2008**

(51) **LOC (9) Cl.** ..... **13-02**

(52) **U.S. Cl.** ..... **D13/107**

(58) **Field of Classification Search** ..... D13/107-110,  
D13/118-119, 139.4, 139.5, 184; D14/251,  
D14/253, 432, 434; 320/103-105, 107-115;  
D12/400

See application file for complete search history.

(56) **References Cited**

**U.S. PATENT DOCUMENTS**

D235,555 S *	6/1975	Plummer	.....	D13/152
D237,718 S *	11/1975	Bozich	.....	D13/139.5
D270,831 S *	10/1983	Jensen	.....	D13/139.5
D286,040 S *	10/1986	LaValle	.....	D13/152
D299,821 S *	2/1989	Dively	.....	D13/139.5
D307,580 S *	5/1990	Reali	.....	D13/152
D308,267 S *	5/1990	Bradd	.....	D32/31
D314,182 S *	1/1991	Moerman	.....	D13/152
5,462,439 A *	10/1995	Keith	.....	320/109
D434,001 S *	11/2000	Sayger	.....	D13/139.5
D515,033 S *	2/2006	Petrick et al.	.....	D13/139.4
D522,963 S *	6/2006	Hayes et al.	.....	D13/108
2001/0002789 A1 *	6/2001	Terazoe	.....	320/108

\* cited by examiner

*Primary Examiner*—Jennifer Rivard

*Assistant Examiner*—Rosemary K Tarcza

(74) *Attorney, Agent, or Firm*—Morgan, Lewis & Bockius LLP

(57) **CLAIM**

An ornamental design for a charge station for an electric vehicle, as shown and described.

**DESCRIPTION**

The file of this patent contains at least one drawing executed in color. Copies of this patent with color drawing(s) will be provided by the Office upon request and payment of the necessary fee.

FIG. 1 is a front perspective view of an embodiment of the charge station for an electric vehicle;

FIG. 2 is a front view of the embodiment of FIG. 1, the rear view being a mirror image thereof;

FIG. 3 is a side view of the embodiment of FIG. 1, the opposite side view being a mirror image thereof;

FIG. 4, is a top view of the embodiment of FIG. 1;

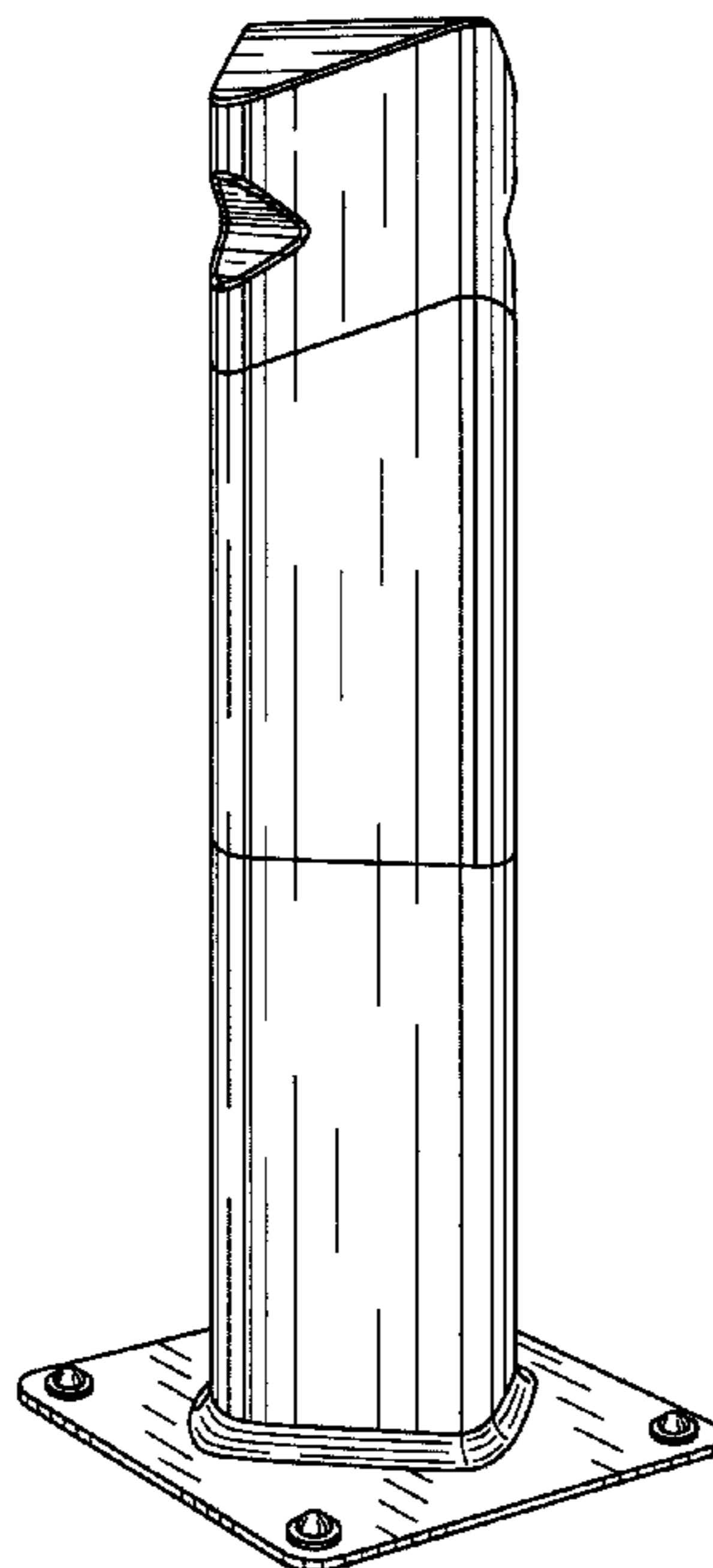
FIG. 5 is a front perspective view of another embodiment of the charge station for an electric vehicle;

FIG. 6 is a front view of the embodiment of FIG. 5, the rear view being a mirror image thereof;

FIG. 7 is a side view of the embodiment of FIG. 5, the opposite side view being a mirror image thereof; and,

FIG. 8 is a top view of the embodiment of FIG. 5.

**1 Claim, 8 Drawing Sheets**  
**(4 of 8 Drawing Sheet(s) Filed in Color)**



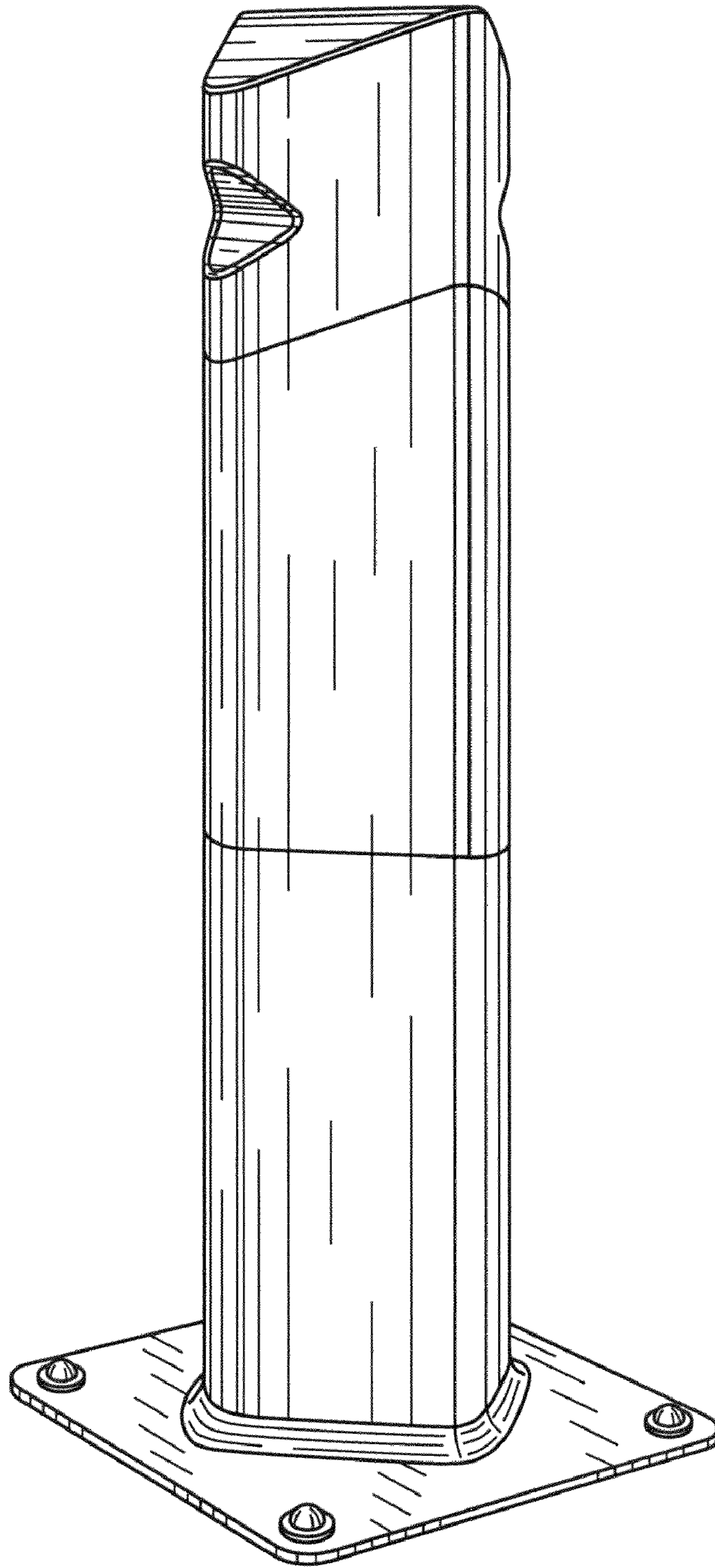


FIG. 1

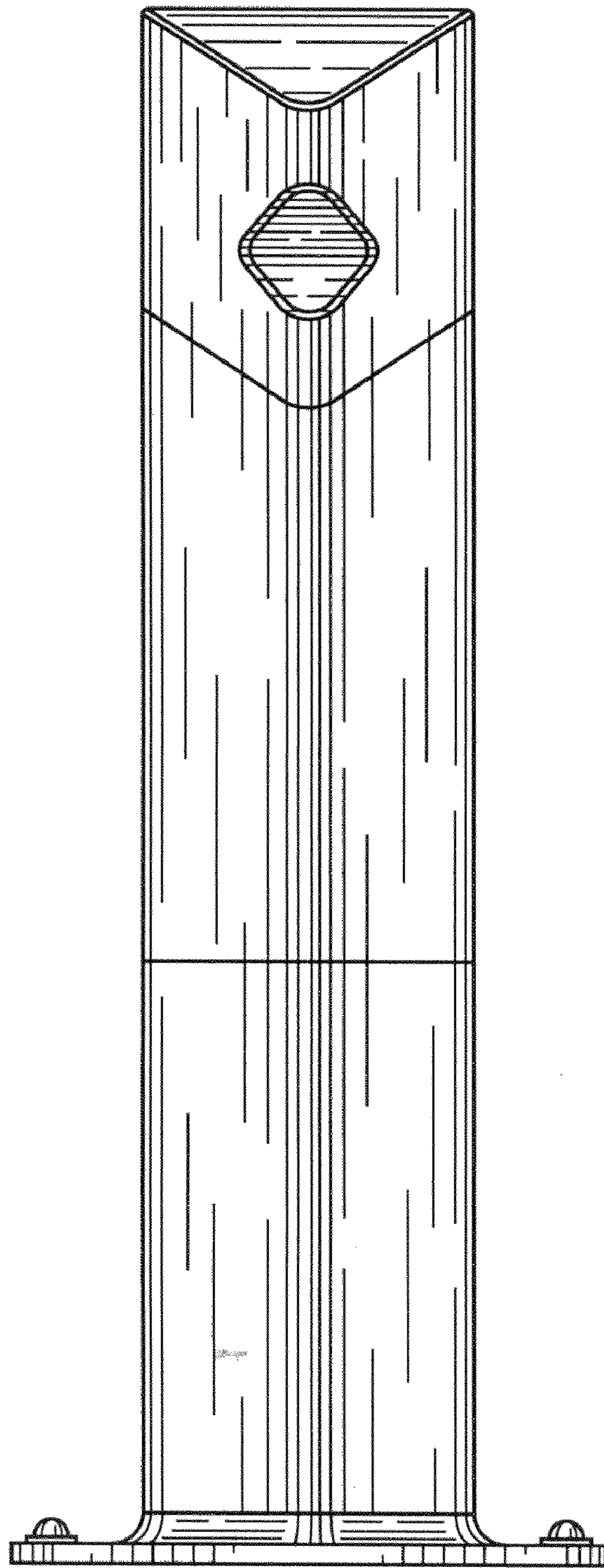


FIG. 2



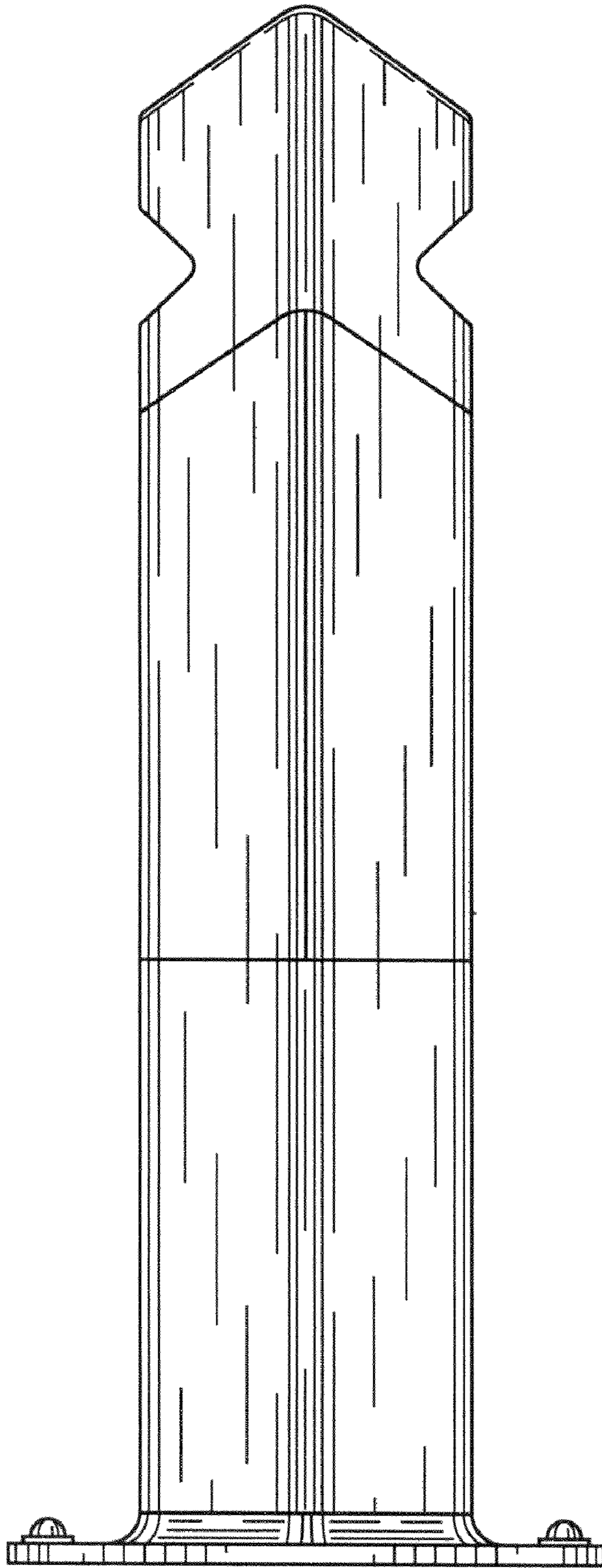


FIG. 3

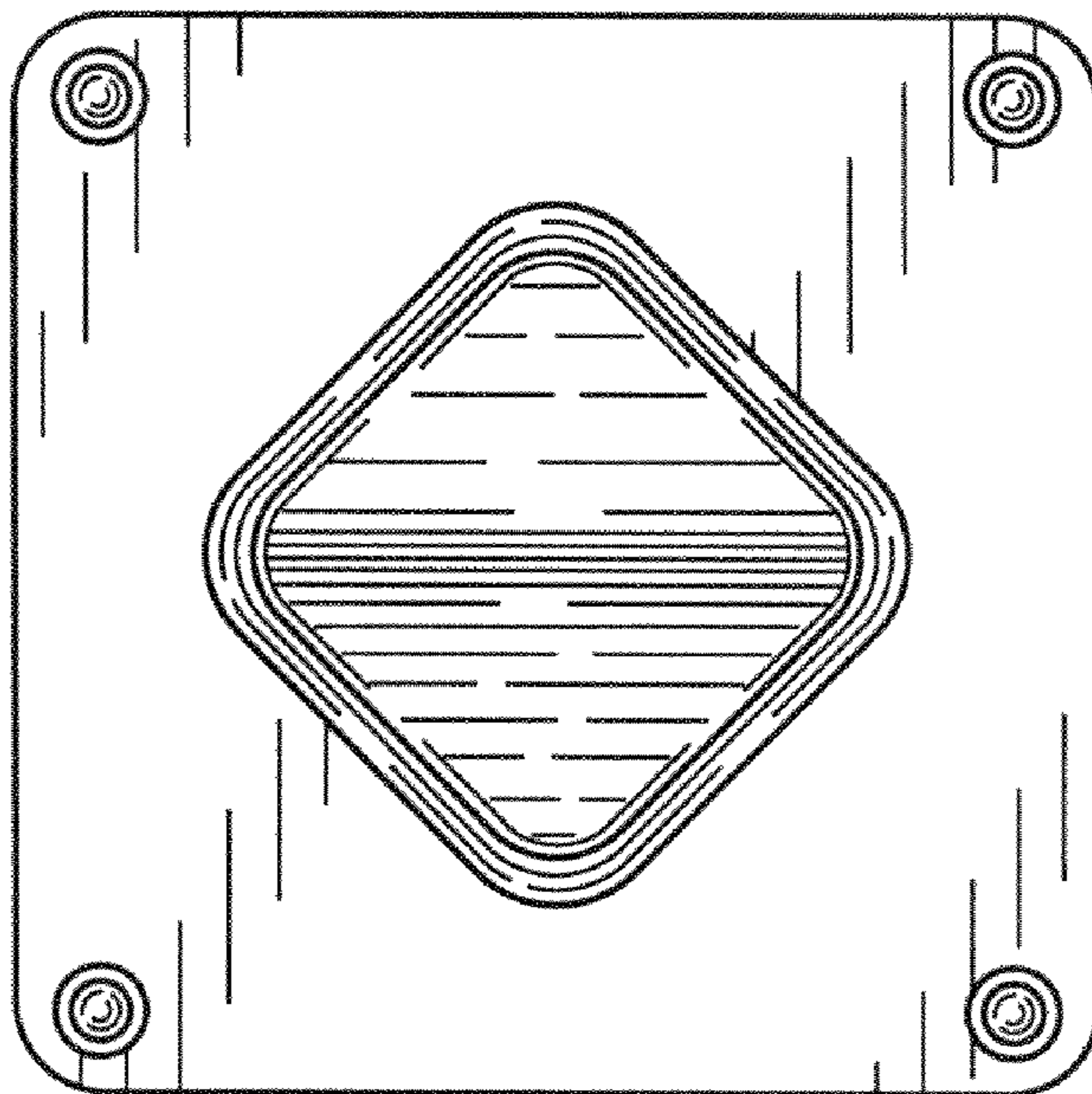


FIG. 4



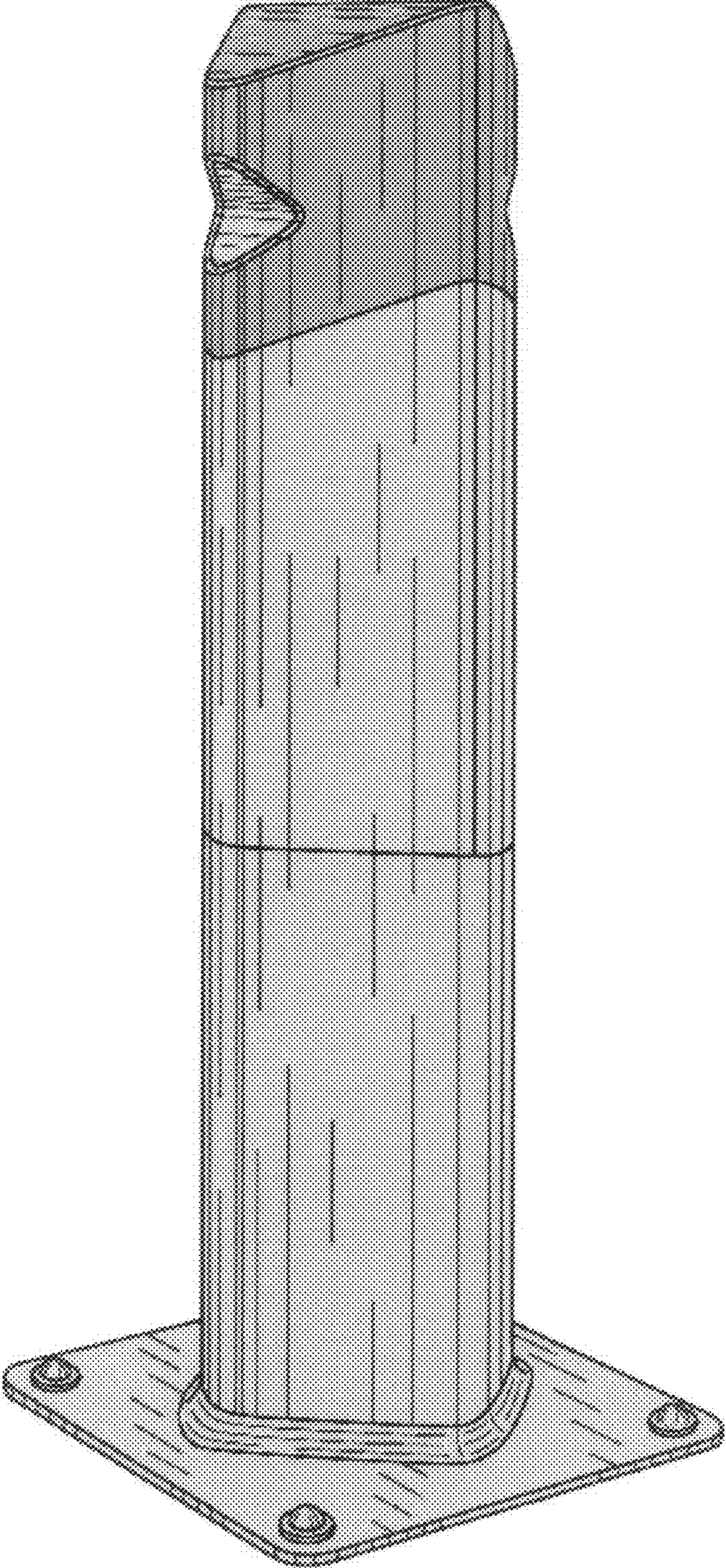


FIG. 5



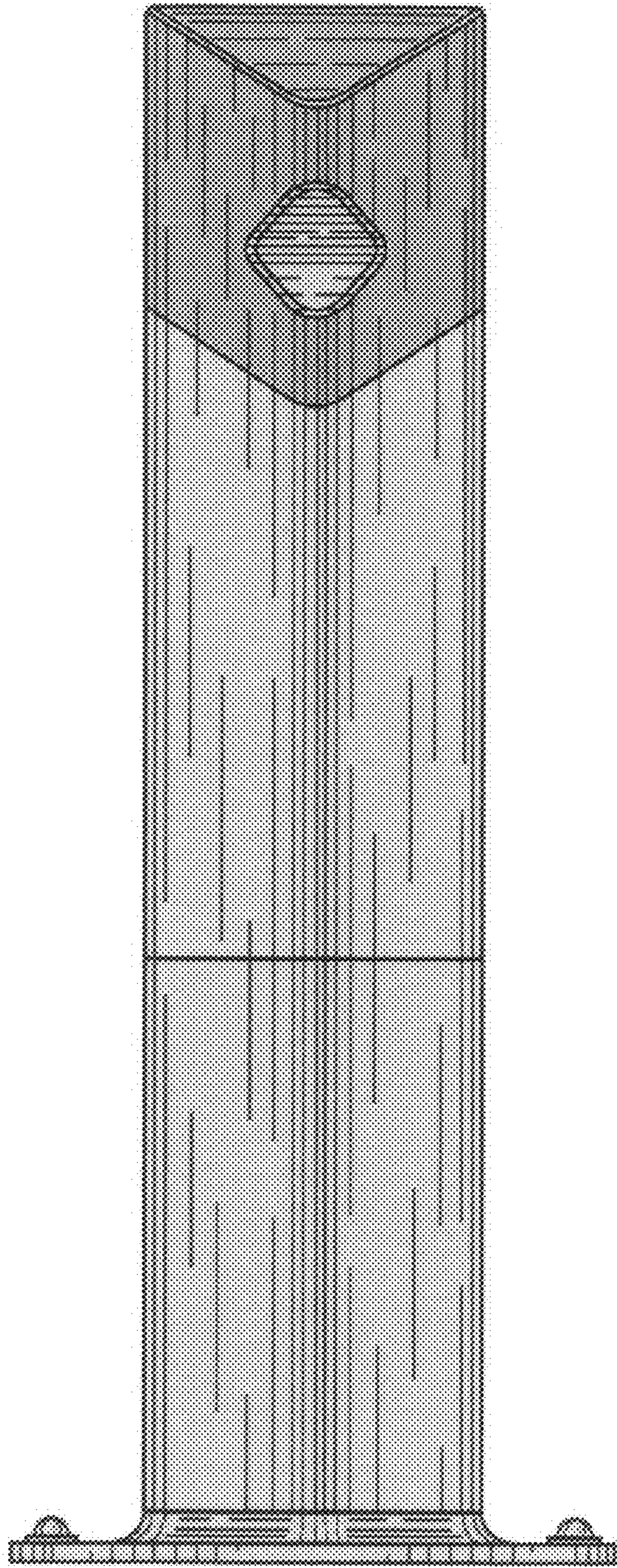


FIG. 6



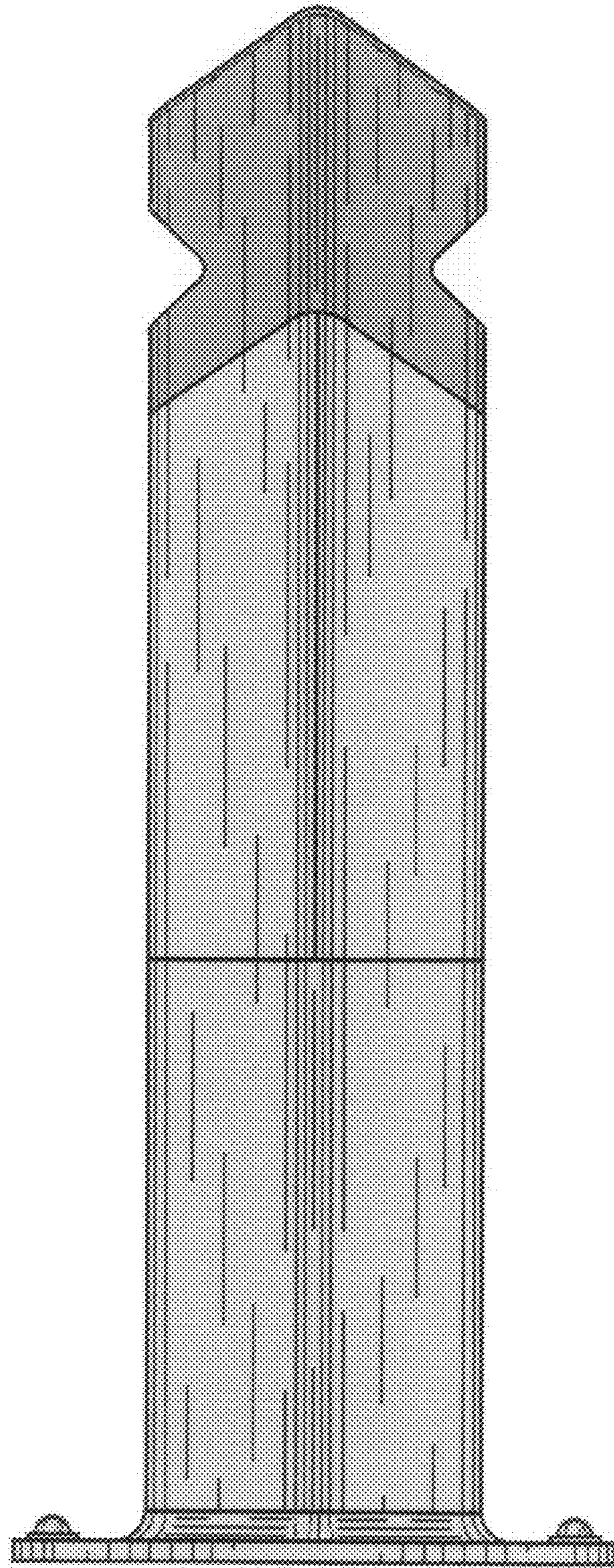


FIG. 7



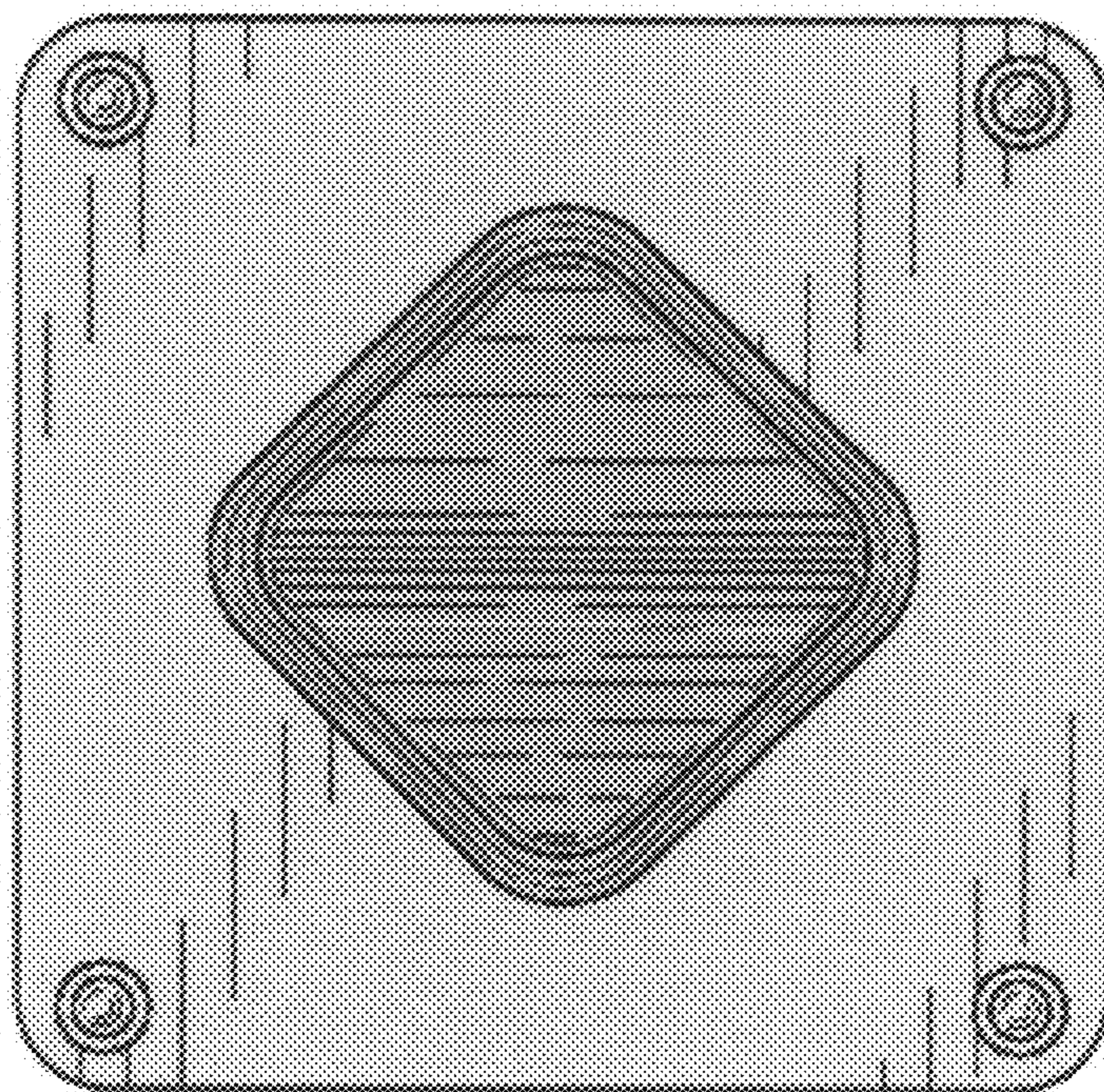


FIG. 8