



US00D608730S

(12) **United States Design Patent**
Gamboa et al.

(10) **Patent No.:** **US D608,730 S**
(45) **Date of Patent:** **** Jan. 26, 2010**

(54) **ENCLOSURE FOR BATTERY SYSTEMS AND BATTERY MODULES**

(75) Inventors: **Paul Gamboa**, Chicago, IL (US); **John J. C. Kopera**, Vail, AZ (US); **Christopher Matthew Millon**, Grand Blanc, MI (US)

(73) Assignee: **Cobasys LLC**, Orion, MI (US)

(**) Term: **14 Years**

(21) Appl. No.: **29/268,452**

(22) Filed: **Nov. 7, 2006**

(51) **LOC (9) Cl.** **13-02**

(52) **U.S. Cl.** **D13/103**

(58) **Field of Classification Search** D13/102-106,
D13/110, 118-121, 184; 429/96-100, 163,
429/176

See application file for complete search history.

(56) **References Cited**

U.S. PATENT DOCUMENTS

D201,083 S *	5/1965	Roth	D13/110
D211,948 S *	8/1968	Worrall	D13/184
D276,495 S *	11/1984	Sylvia	D15/144
D313,013 S *	12/1990	Krietzman	D14/313
D349,503 S *	8/1994	Roy	D14/140.4
D410,653 S *	6/1999	Roy et al.	D14/140.4
D418,808 S *	1/2000	Lee	D13/110

D418,810 S *	1/2000	Hogan et al.	D13/118
D425,493 S *	5/2000	Cutright et al.	D13/184
D453,139 S *	1/2002	Yang	D13/110
D454,111 S *	3/2002	Rodriguez	D13/110
D527,390 S *	8/2006	Millar et al.	D14/496

* cited by examiner

Primary Examiner—Rosemary K Tarcza

(74) *Attorney, Agent, or Firm*—Anthony J. Serventi

(57) **CLAIM**

The ornamental design for an enclosure for battery systems and battery modules, as shown.

DESCRIPTION

FIG. 1 is a front view of an enclosure for battery systems and battery modules showing our new design;

FIG. 2 is a rear view thereof;

FIG. 3 is a top view thereof;

FIG. 4 is a bottom view thereof;

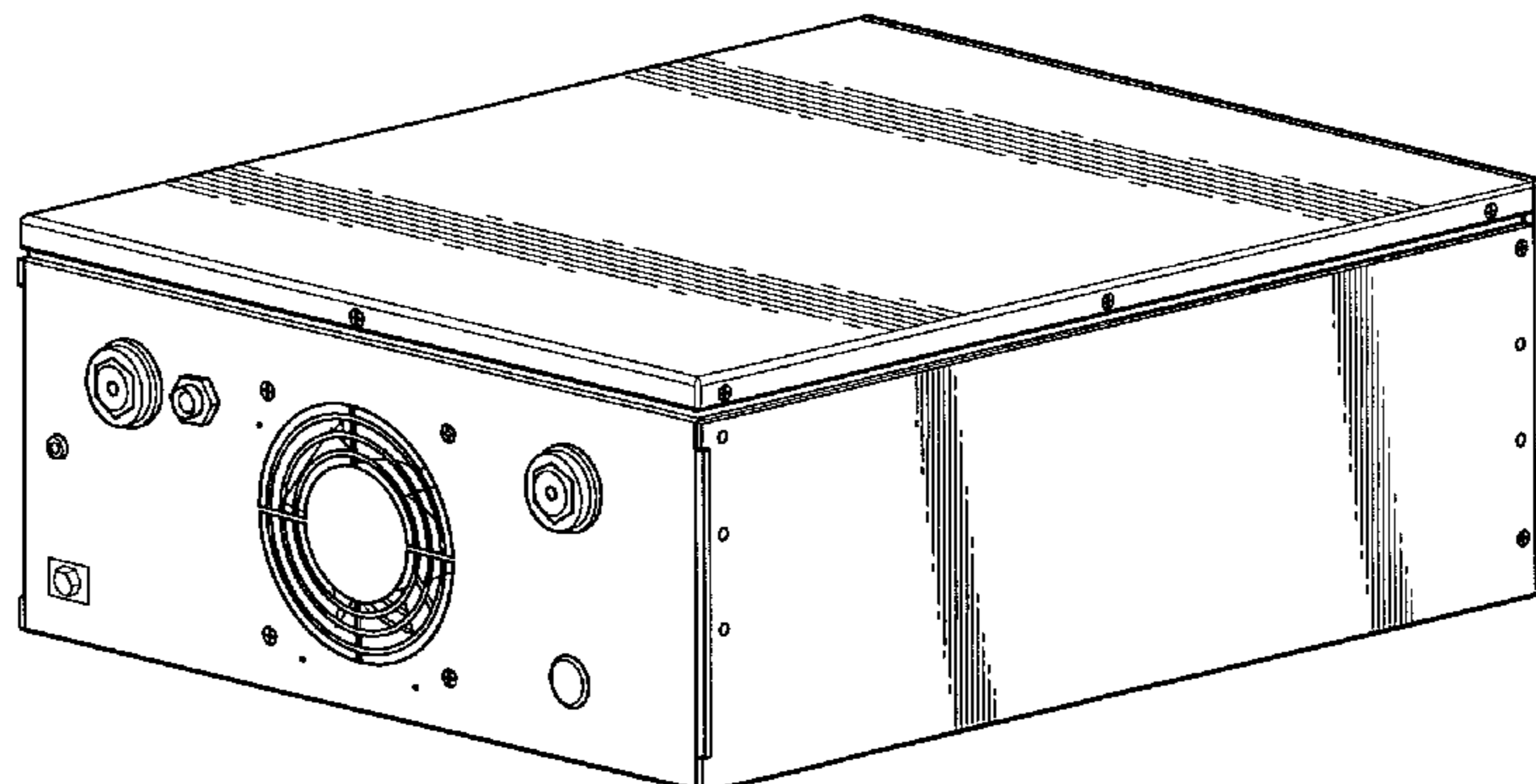
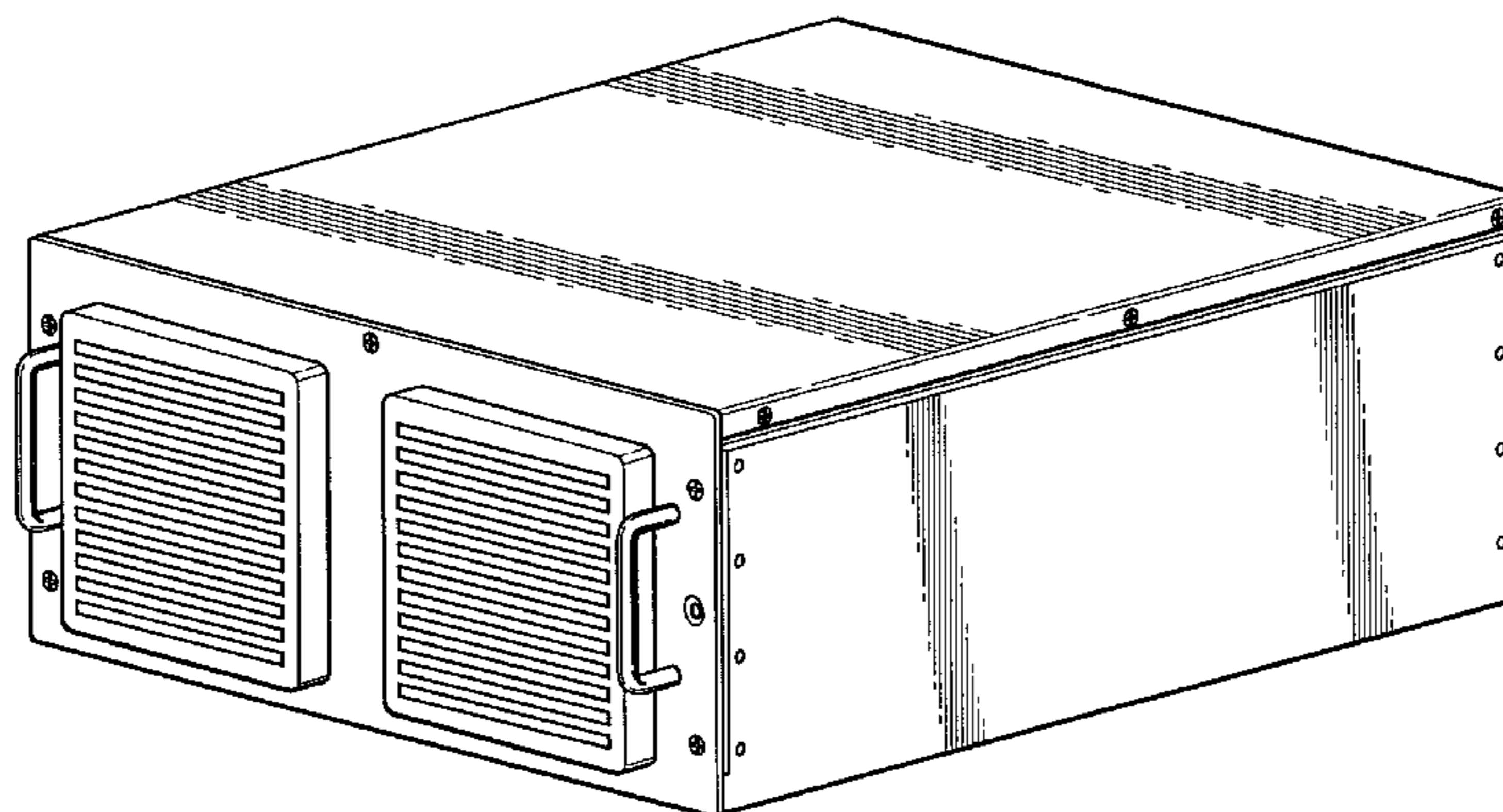
FIG. 5 is a right side view thereof;

FIG. 6 is a left side view thereon;

FIG. 7 is a perspective view of the front, top and left side thereof; and,

FIG. 8 is a perspective view of the rear, top and right side thereof.

1 Claim, 5 Drawing Sheets



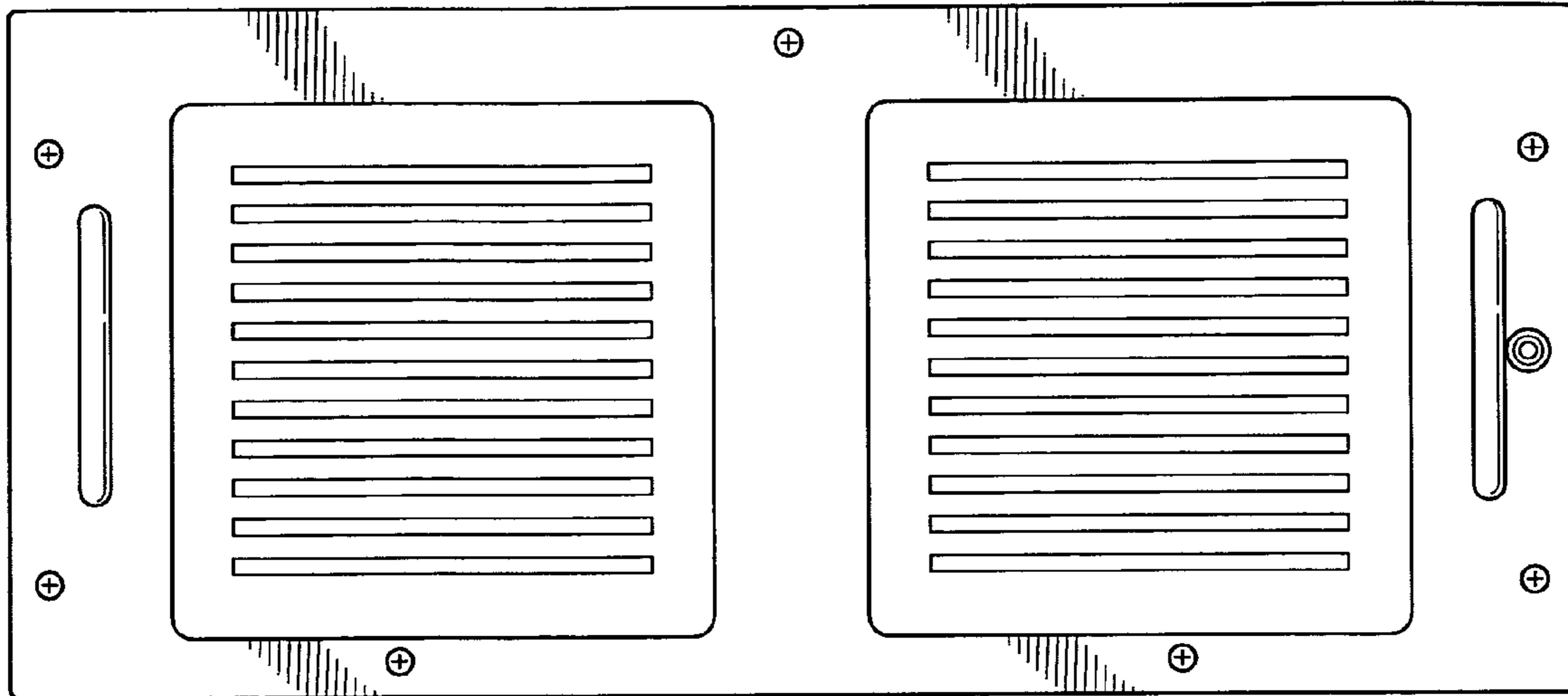


FIG. 1

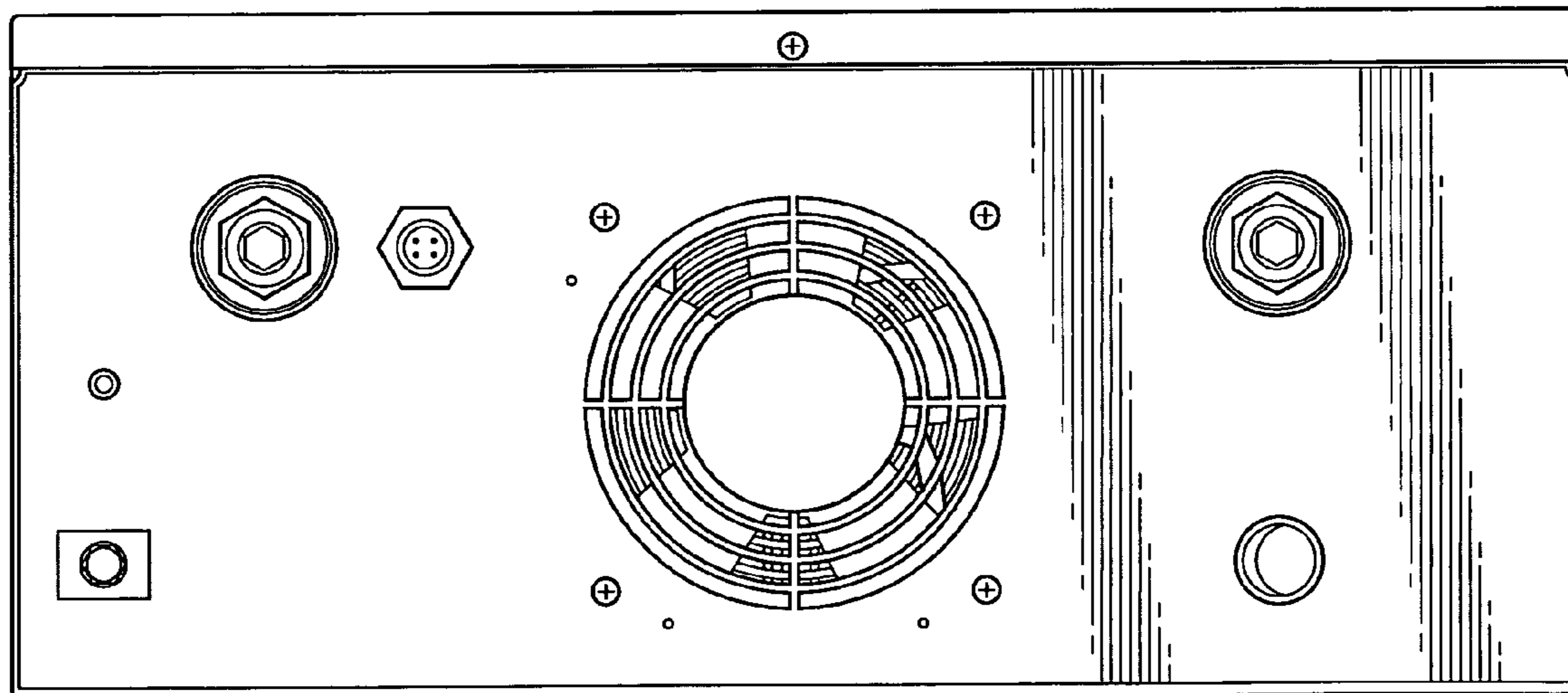


FIG. 2

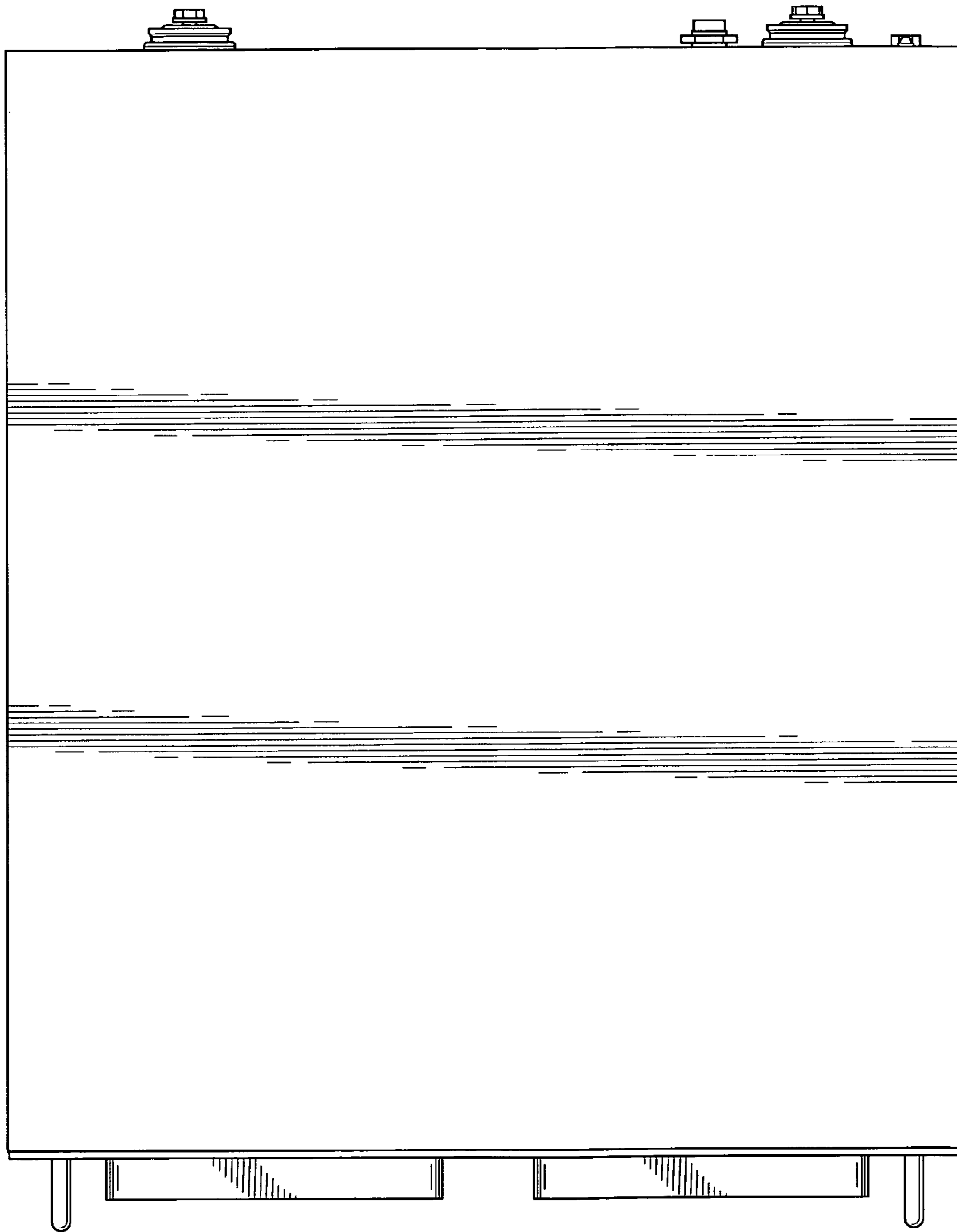


FIG. 3

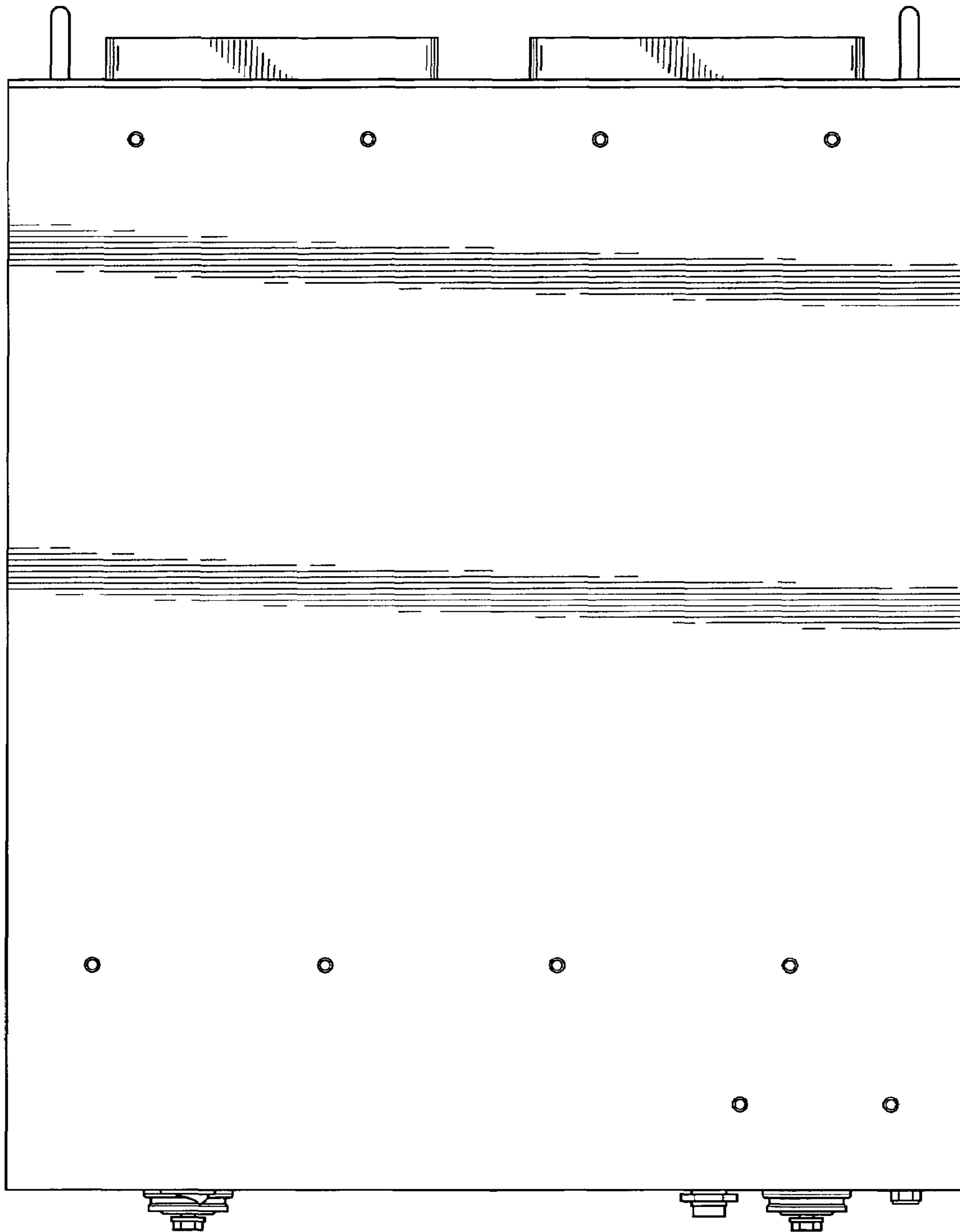


FIG. 4

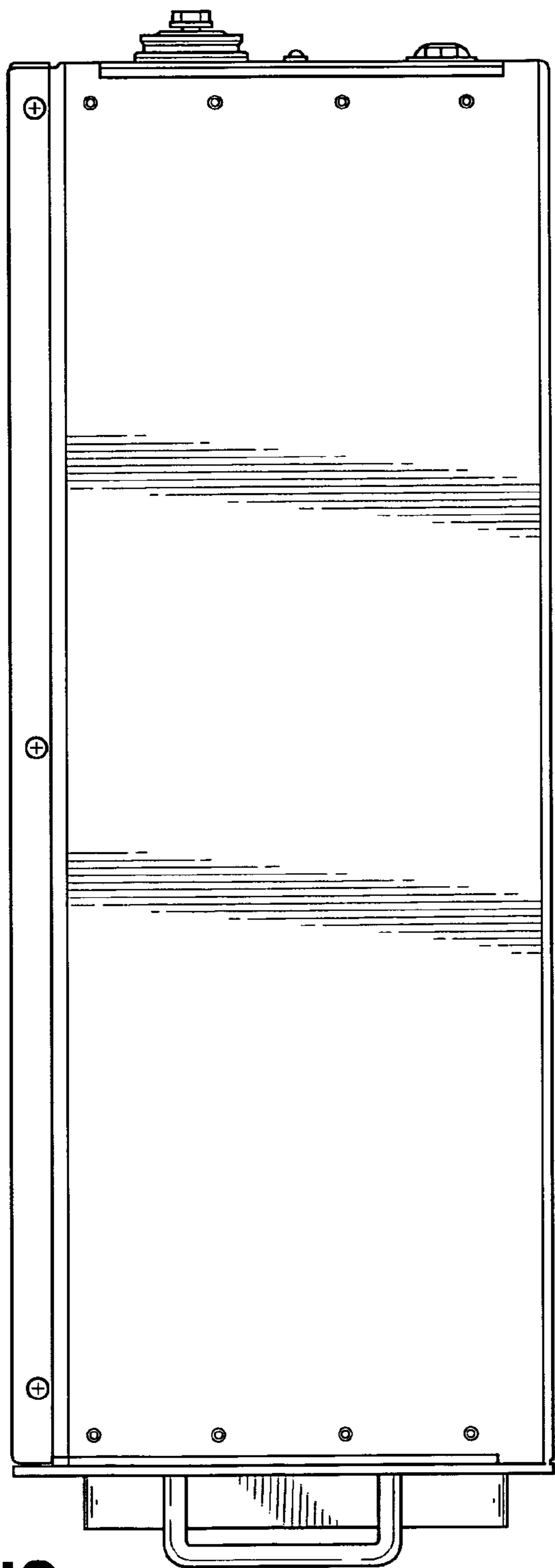


FIG. 5

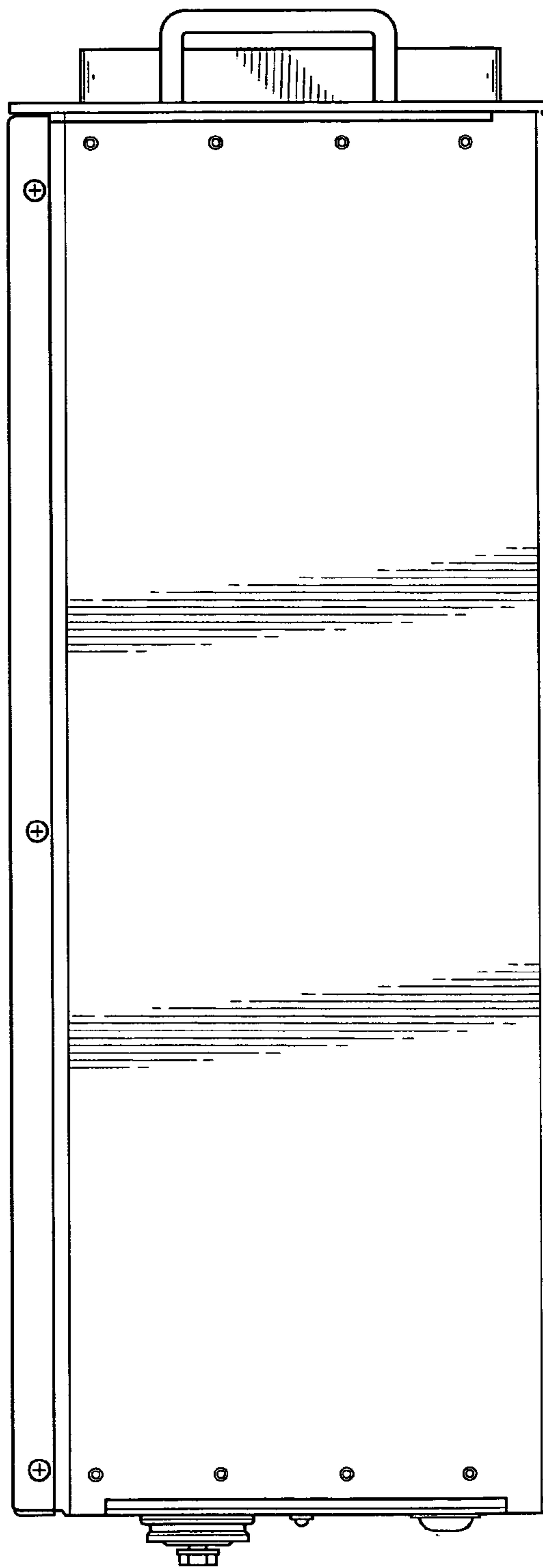


FIG. 6

FIG. 7

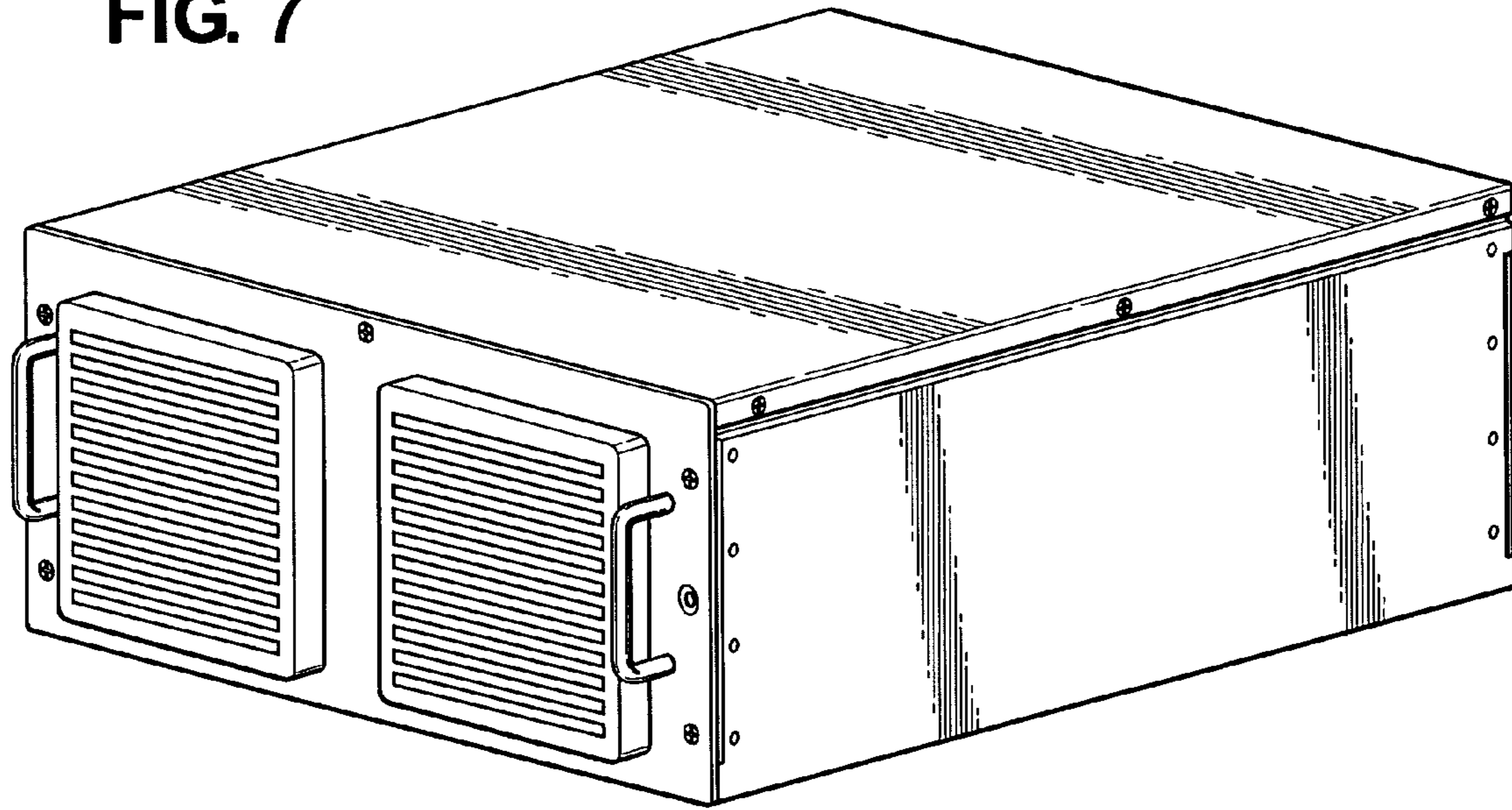


FIG. 8

