



US00D608727S

(12) **United States Design Patent**  
**Brown et al.**

(10) **Patent No.:** **US D608,727 S**  
(45) **Date of Patent:** **\*\* Jan. 26, 2010**

(54) **TIRE TREAD**

(75) Inventors: **Robert F. Brown**, Mount Vernon, IL (US); **Michelle Tackitt**, Mount Vernon, IL (US)

(73) Assignee: **Continental Tire North America, Inc.**, Charlotte, NC (US)

(\*\*) Term: **14 Years**

(21) Appl. No.: **29/294,886**

(22) Filed: **Jan. 31, 2008**

(51) **LOC (9) Cl.** ..... **12-15**

(52) **U.S. Cl.** ..... **D12/583; D12/900**

(58) **Field of Classification Search** ..... D12/500-502, D12/568, 574, 578, 582-585, 604, 900, 901; D21/563, 779; 152/209.1, 209.18, 209.19, 152/209.21-209.25, 209.27

See application file for complete search history.

(56) **References Cited**

**U.S. PATENT DOCUMENTS**

4,192,366	A *	3/1980	Scriver et al.	152/209.1
D304,556	S *	11/1989	Tsuda et al.	D12/582
D313,208	S *	12/1990	Cottrell	D12/583
D316,066	S *	4/1991	Wischhusen	D12/582
D381,942	S *	8/1997	Ford et al.	D12/582
D395,414	S *	6/1998	Grosskopf et al.	D12/602
D399,461	S *	10/1998	Lurois et al.	D12/601
D429,480	S *	8/2000	Bonko	D12/500
D500,472	S *	1/2005	Campana et al.	D12/583

D548,175	S *	8/2007	Martin	D12/603
2005/0230020	A1 *	10/2005	Miyake	152/209.19
2007/0151645	A1 *	7/2007	Mathews	152/209.18

**OTHER PUBLICATIONS**

Continental HSR Tire; 2005 Tread Design Guide, p. 105, Row 1, Item 2.\*

Dayton Rib Radial All Position Tire; 2005 Tread Design Guide; p. 107, Row 3, Item 5.\*

MITAS Implement Tire; 2005 Tread Design Guide, p. 185, Row 3, Item 1.\*

Michelin Retread Technologies (MRT) Tire; 2005 Tread Design Guide, p. 234, Row 4, Item 1.\*

\* cited by examiner

*Primary Examiner*—Caron Veynar

*Assistant Examiner*—Garth Rademaker

(57) **CLAIM**

The ornamental design for a tire tread, as shown and described.

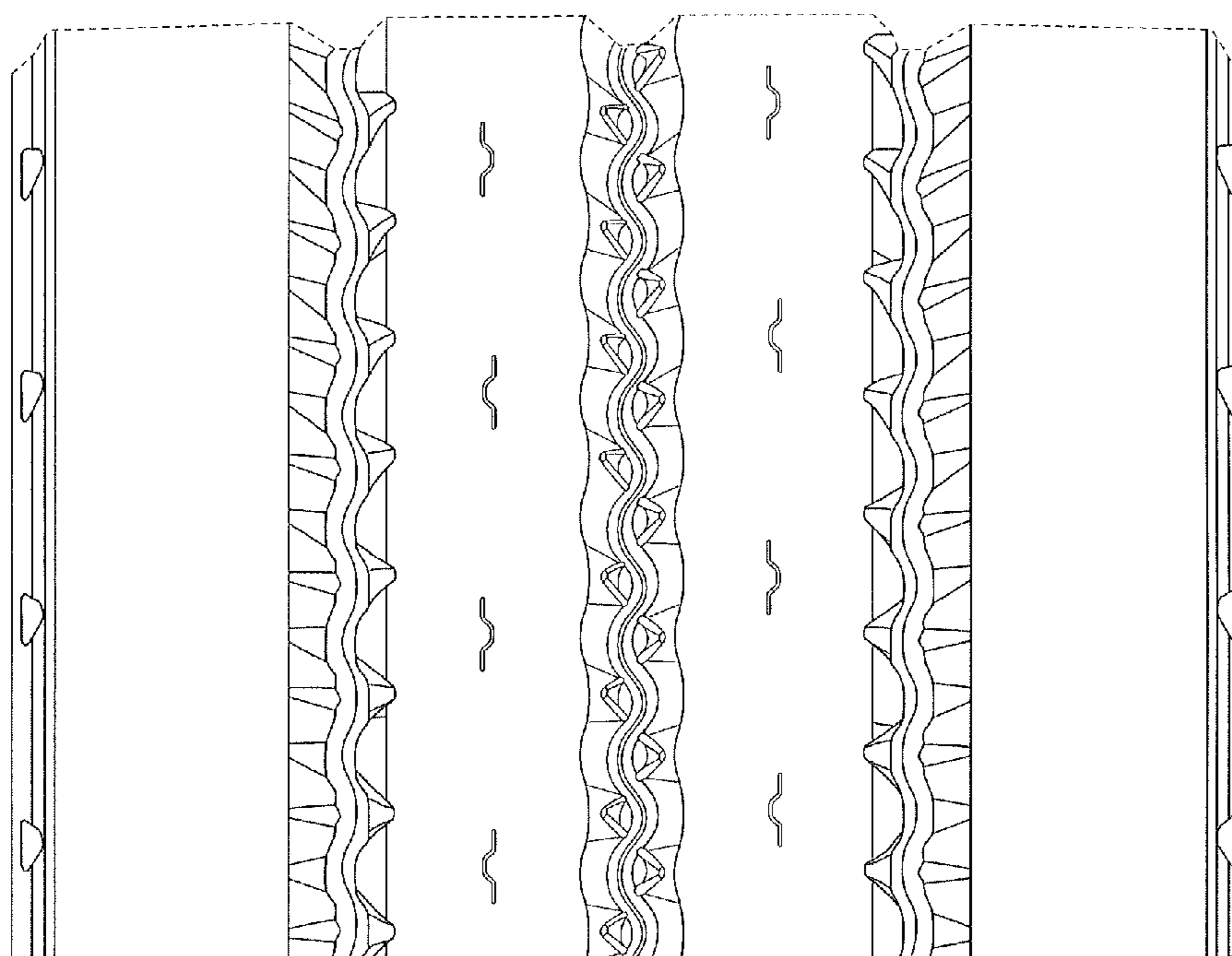
**DESCRIPTION**

FIG. 1 is a perspective view of a tire tread showing our new design, it being understood that the tread pattern is repeated uniformly throughout the circumference of the tire tread, as shown schematically in solid lines.

FIG. 2 is an enlarged fragmentary front elevational view thereof; and,

FIG. 3 is a side elevational view of the design of FIG. 1, the opposite side elevational view being identical thereto.

**1 Claim, 3 Drawing Sheets**



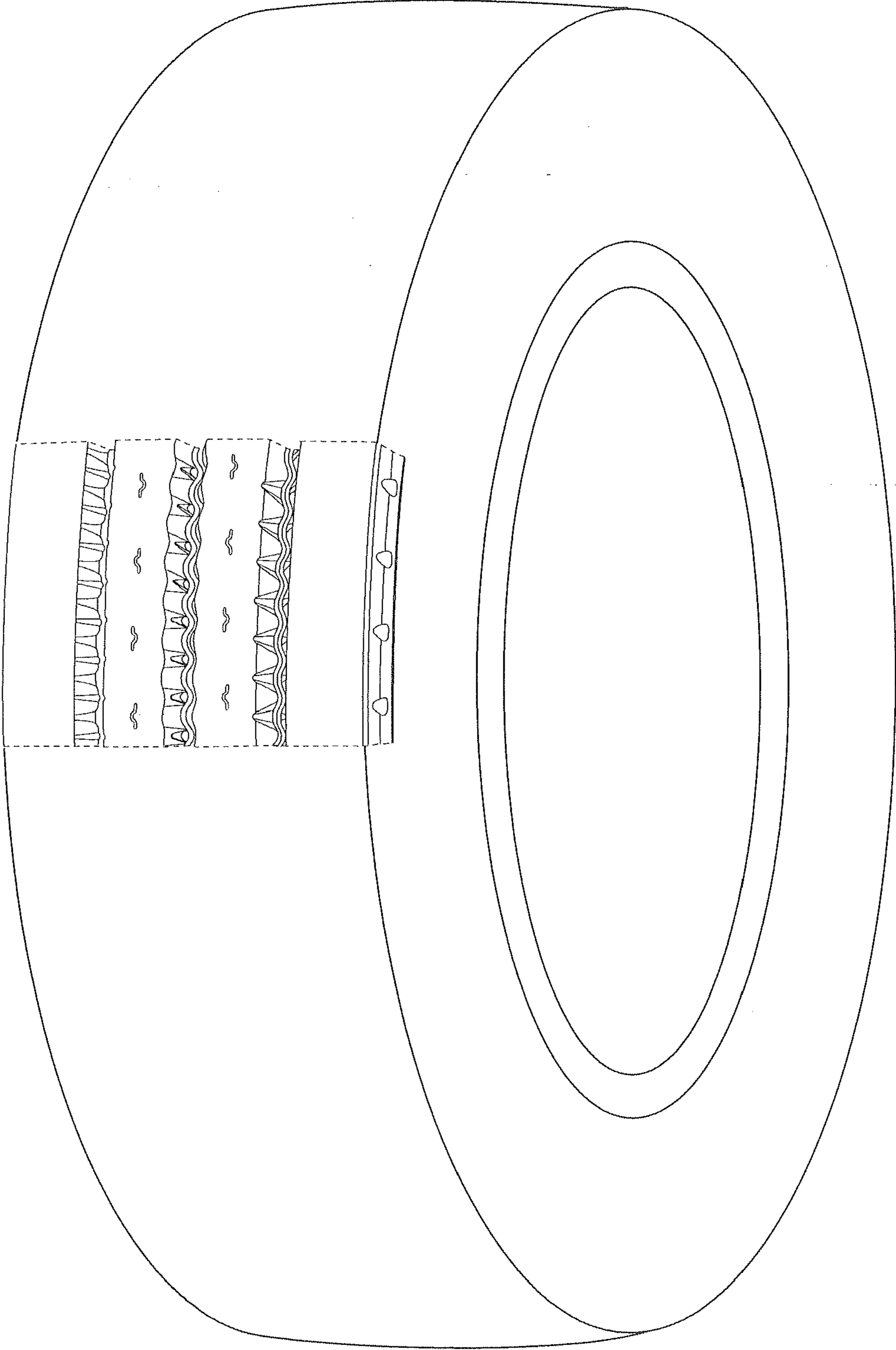


FIG. 1

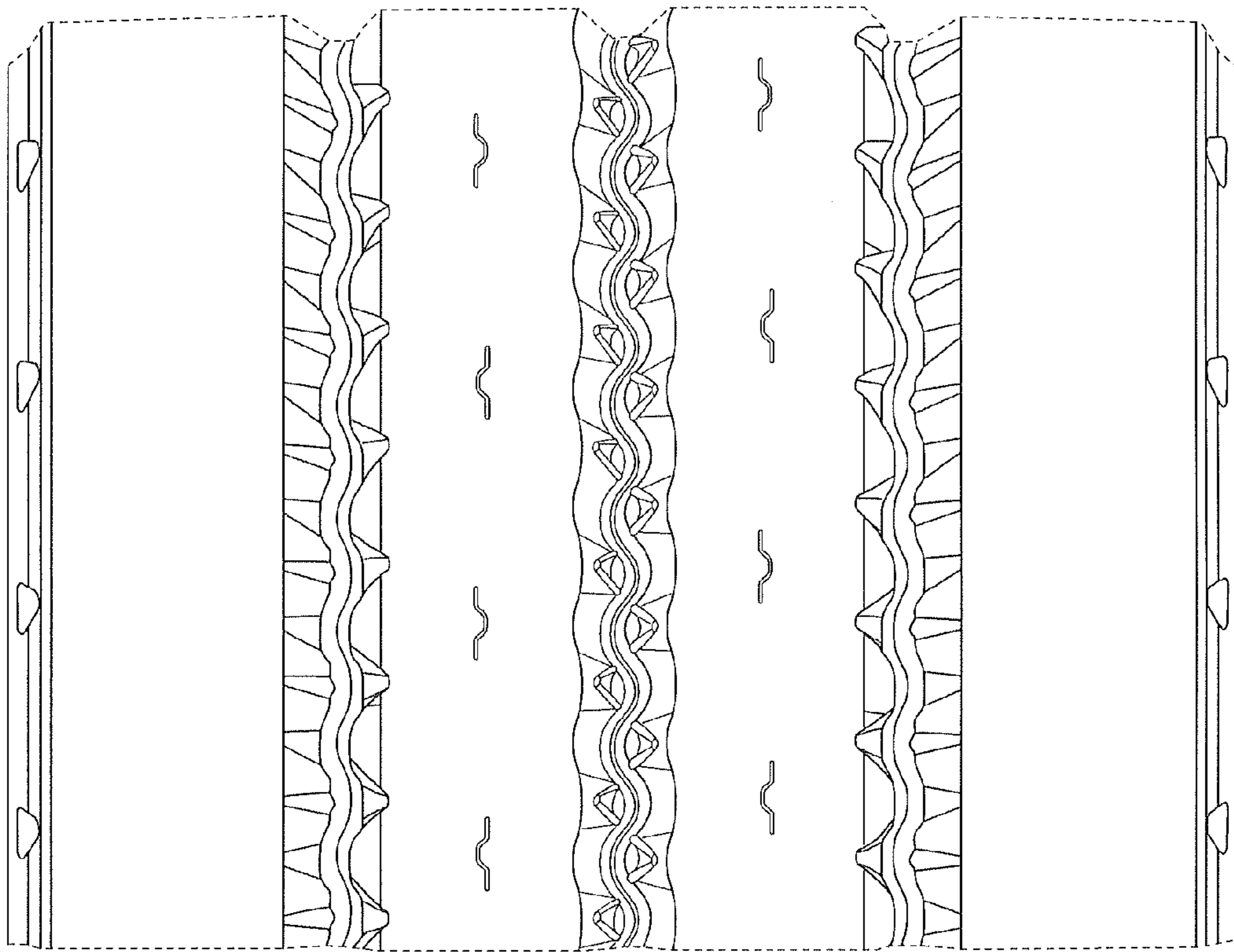


FIG. 2

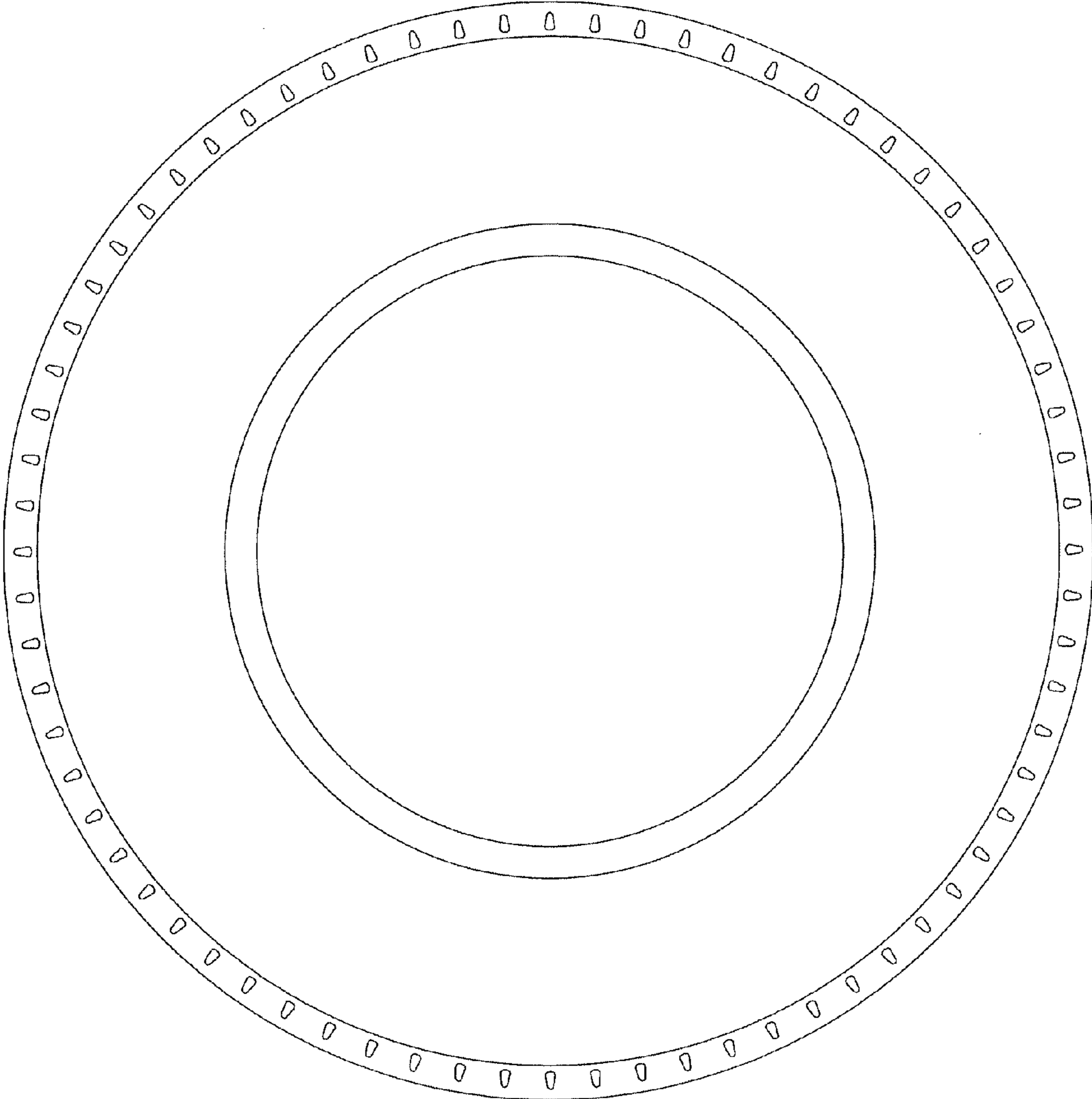


FIG. 3