



US00D608723S

(12) **United States Design Patent**
Flaherty et al.

(10) **Patent No.:** **US D608,723 S**
(45) **Date of Patent:** **** Jan. 26, 2010**

(54) **BICYCLE CARRIER RACK**

2009/0120986 A1 5/2009 Sautter

(75) Inventors: **Joseph Flaherty**, Prospect, CT (US);
Joe Settelmayer, McKinleyville, CA (US)

(73) Assignee: **Thule Sweden AB**, Hillerstorp (SE)

(**) Term: **14 Years**

(21) Appl. No.: **29/342,758**

(22) Filed: **Aug. 31, 2009**

(51) **LOC (9) Cl.** **12-11**

(52) **U.S. Cl.** **D12/408**

(58) **Field of Classification Search** D12/406-408;
224/42.11, 515, 545, 519, 495, 502, 505,
224/506, 522, 535-537, 548, 552, 553, 567,
224/572, 324, 935, 421, 425-427, 496, 497,
224/499, 490-493, 403, 924, 533; 280/288.4,
280/304.5

See application file for complete search history.

(56) **References Cited**

U.S. PATENT DOCUMENTS

D294,564 S	3/1988	Stoecker	
D337,087 S	7/1993	Peterman	
5,259,542 A *	11/1993	Newbold et al.	224/324
D378,289 S *	3/1997	Lundgren	D12/412
5,775,555 A *	7/1998	Bloemer et al.	224/531
D447,997 S *	9/2001	Ferman et al.	D12/408
6,286,738 B1 *	9/2001	Robins et al.	224/314
6,616,023 B1 *	9/2003	Dahl et al.	224/537
6,644,525 B1	11/2003	Allen	
6,988,645 B1 *	1/2006	Nusbaum et al.	224/519
7,000,814 B2 *	2/2006	Wang	224/520
7,055,725 B1 *	6/2006	Kolda	224/505
7,213,731 B1	5/2007	Kolda	
7,261,228 B2 *	8/2007	Prescott et al.	224/502
D602,420 S *	10/2009	Kuschmeader et al.	D12/408
2007/0057001 A1 *	3/2007	Wang	224/536
2008/0093404 A1	4/2008	Clausen	

OTHER PUBLICATIONS

Bike rack/hitch; <http://www.mcguickin.com/images/8440587.jpg> [online], [retrieved from Internet on Aug. 3, 2009].

Bike rack/hitch; <http://www.etrailer.com/p-59400.htm> [online], [retrieved from Internet on Aug. 3, 2009].

Bike rack/hitch; <http://www.autoanything.com/bike-racks/69A4004A0A0.aspx> [online], [retrieved from Internet on Aug. 3, 2009].

Bike rack/hitch; <http://www.prohoists.com/Products/photos/381.jpg> [online], [retrieved from Internet on Aug. 3, 2009].

Bike rack/hitch; <http://www.suspensionconnection.com/cgi-bin/suscon/3010-bike-rack.html> [online], [retrieved from Internet on Aug. 3, 2009].

Bike rack/hitch; [http://www.cache.autoanything.com/images/products/med/bike ski racks/allen bike racks 09 532RR.jpg](http://www.cache.autoanything.com/images/products/med/bike%20ski%20racks/allen%20bike%20racks%2009%20532RR.jpg) [online], [retrieved from Internet on Aug. 3, 2009].

* cited by examiner

Primary Examiner—Philip S Hyder

Assistant Examiner—Linda G. Brooks

(74) *Attorney, Agent, or Firm*—Novak Druce + Quigg LLP

(57) **CLAIM**

We claim the ornamental design for a bicycle carrier rack, as shown and described.

DESCRIPTION

FIG. 1 is a perspective view of a bicycle carrier rack;

FIG. 2 is a right side elevational view thereof;

FIG. 3 is a left side elevational view thereof;

FIG. 4 is a top plan view thereof;

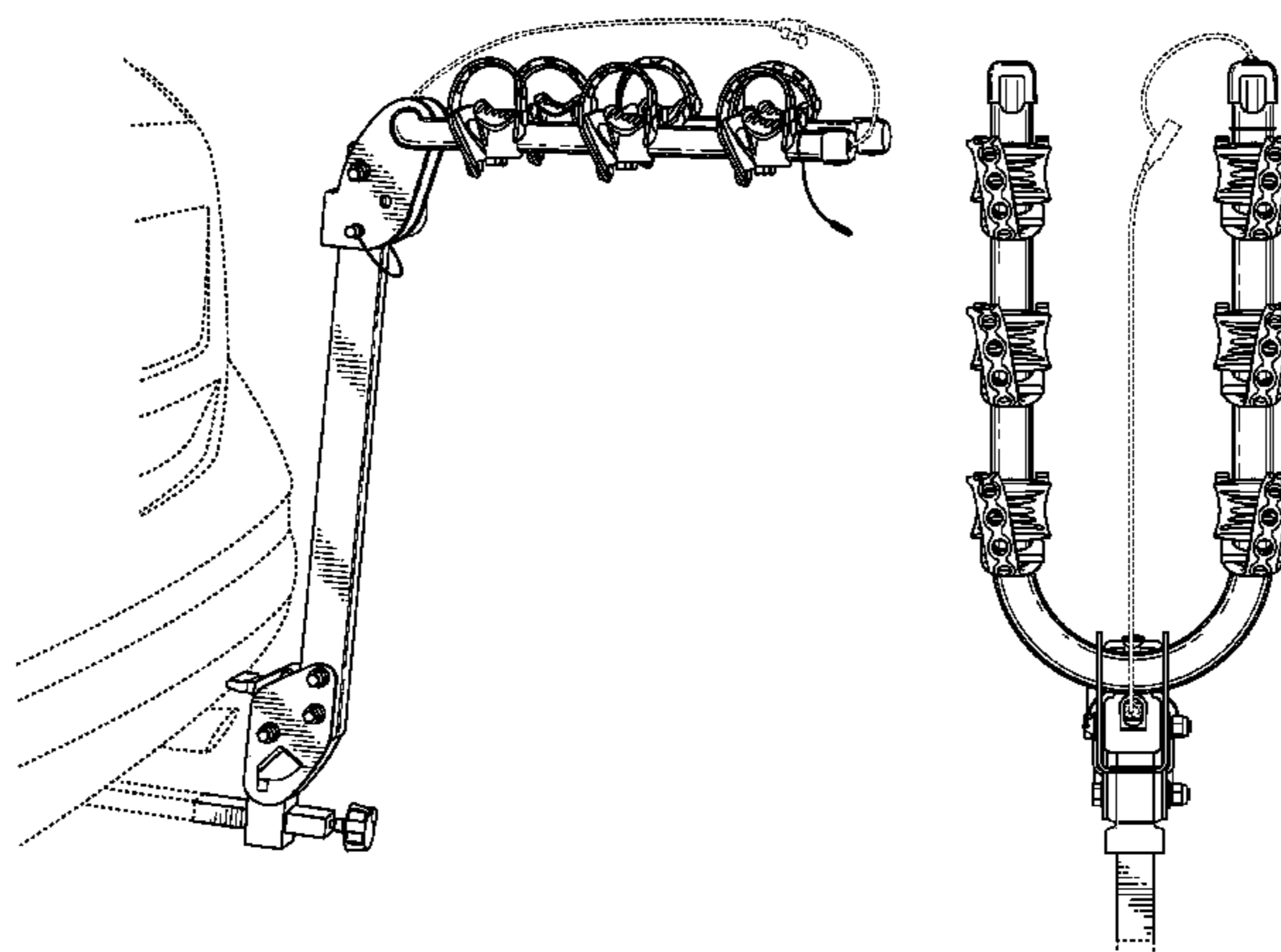
FIG. 5 is bottom plan view of the left end thereof;

FIG. 6 is a front elevational view thereof; and,

FIG. 7 is a rear elevational view thereof.

Broken lines on the hitch portion represent a boundary between claimed and unclaimed portions of the design and do not form a part of the claimed design. The other broken lines in the figures illustrate environmental structure and do not form a part of the claimed design.

1 Claim, 7 Drawing Sheets



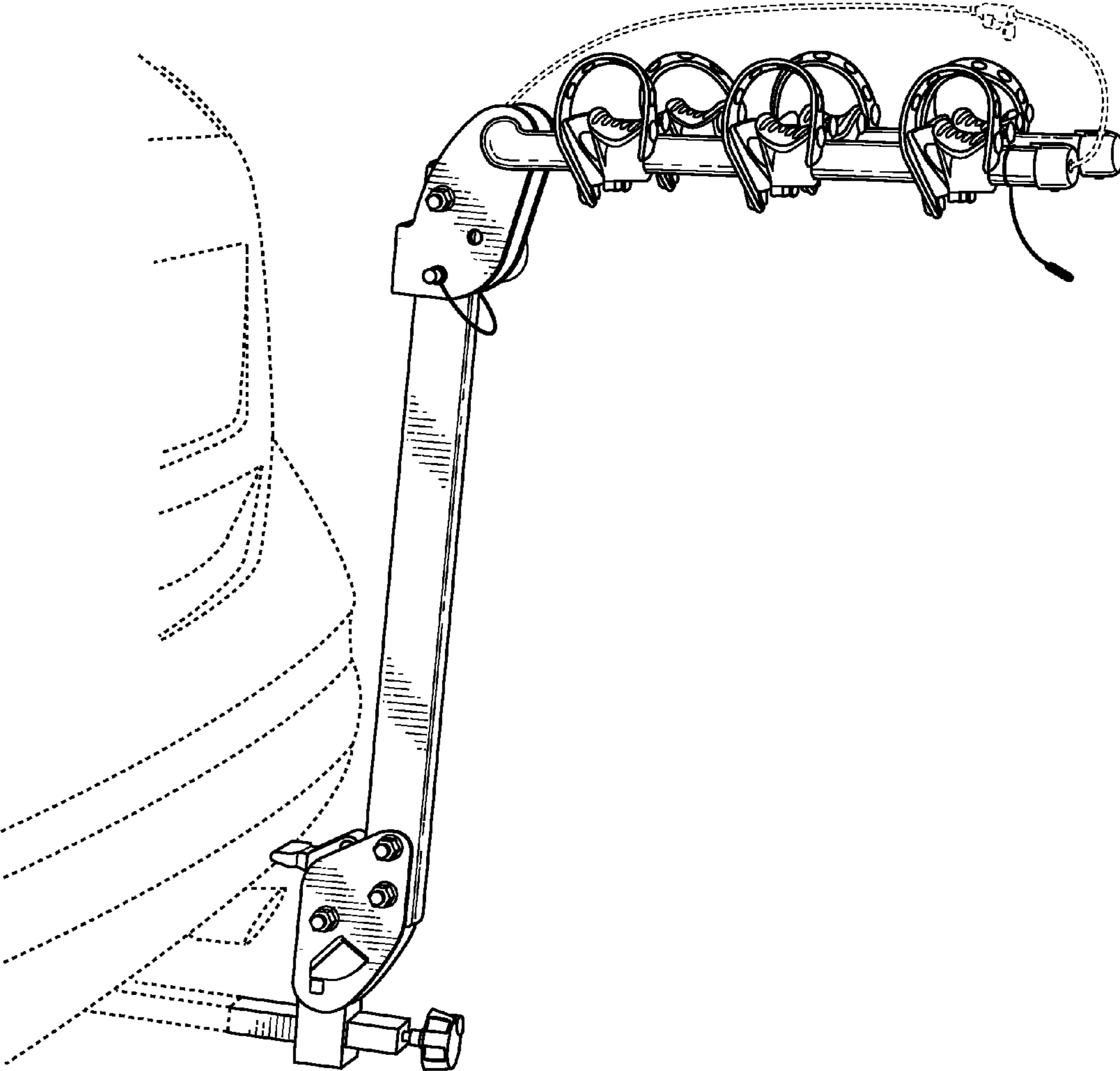


FIG. 1

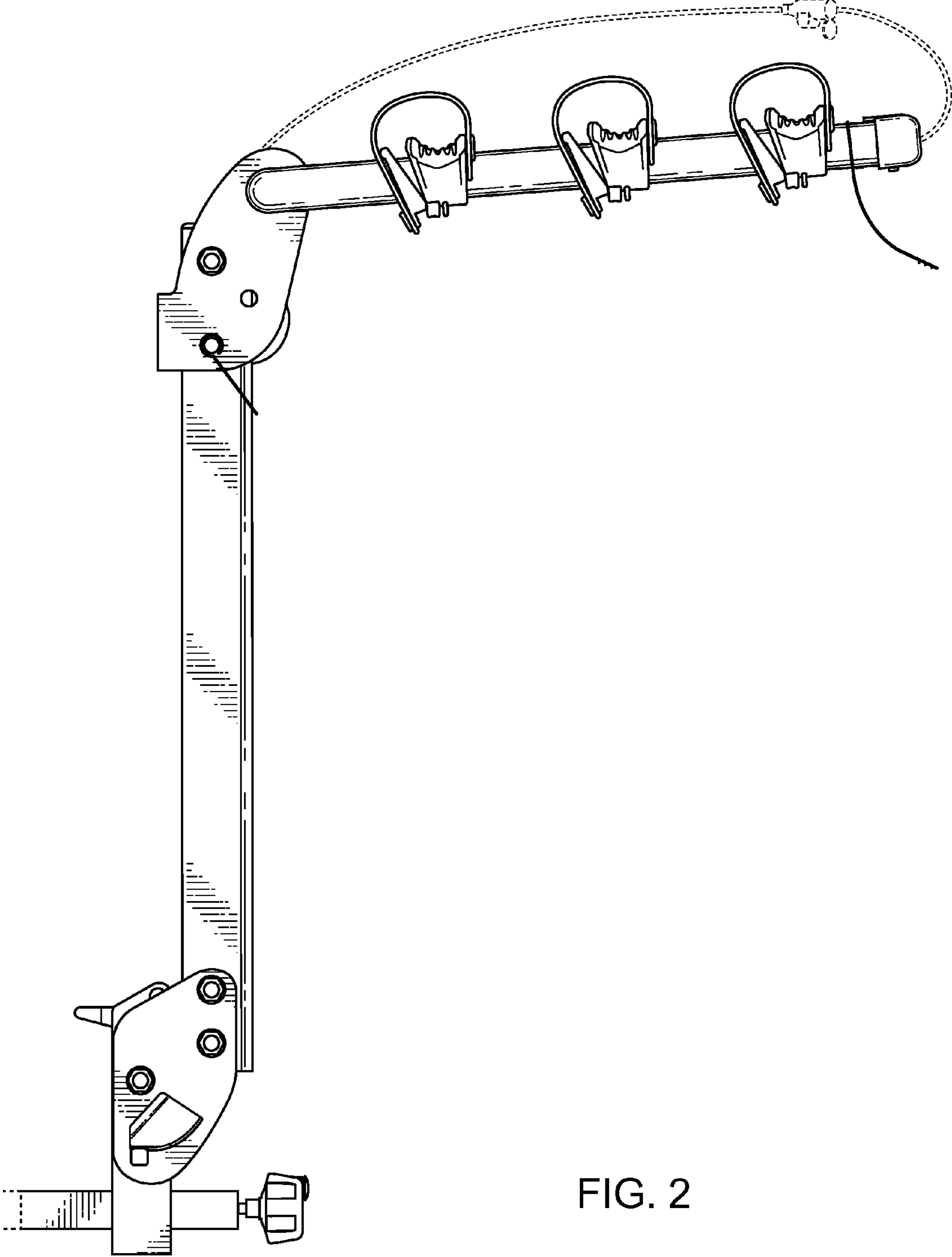


FIG. 2

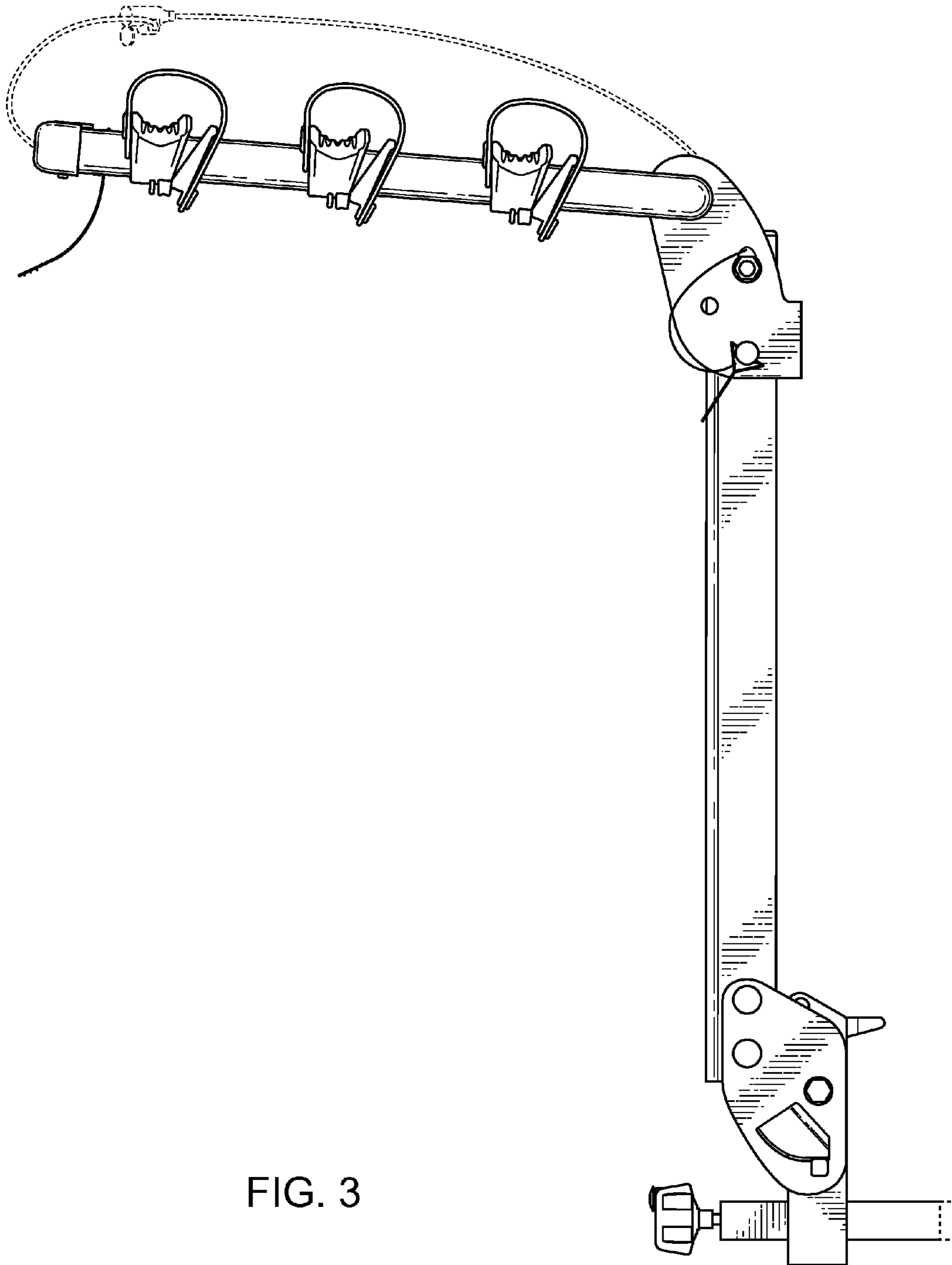


FIG. 3

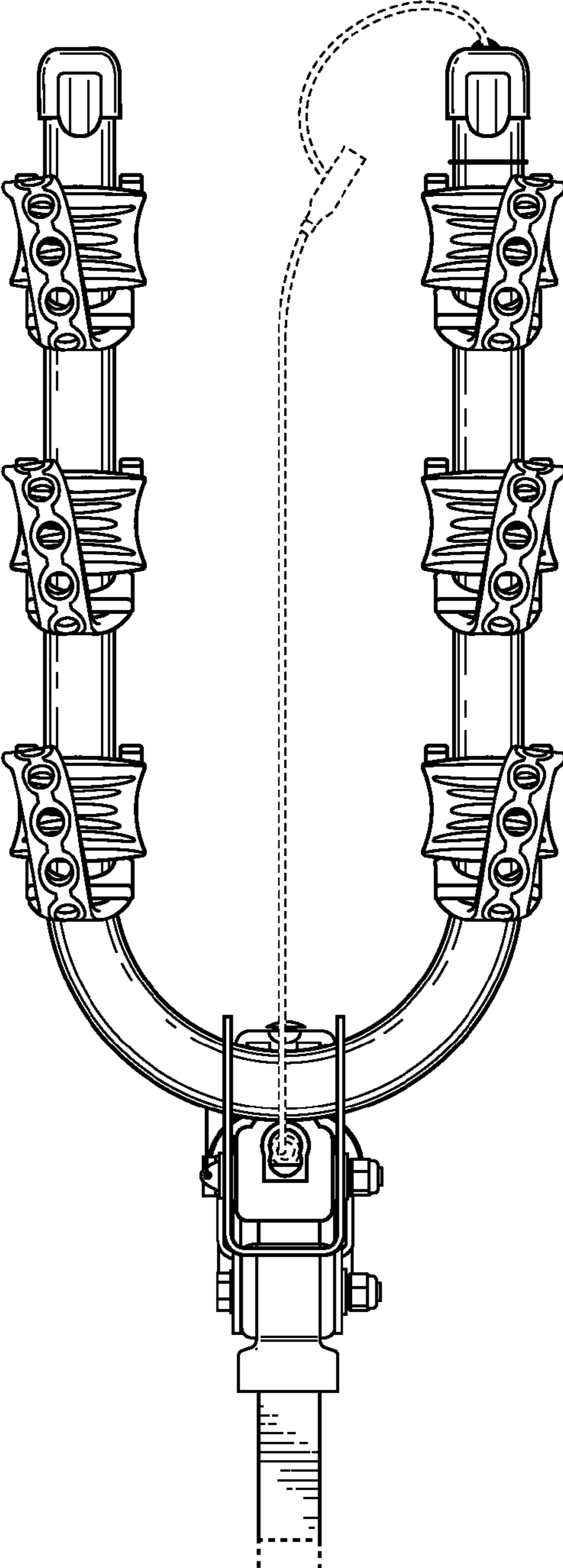


FIG. 4

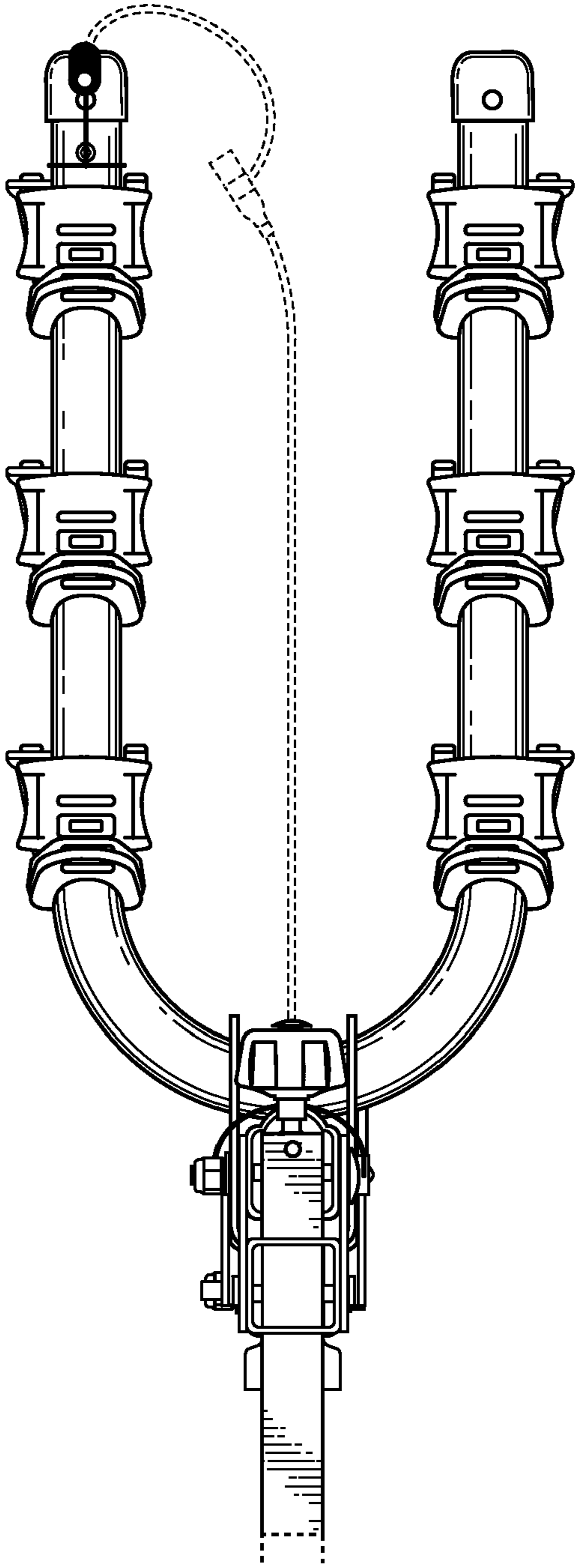


FIG. 5

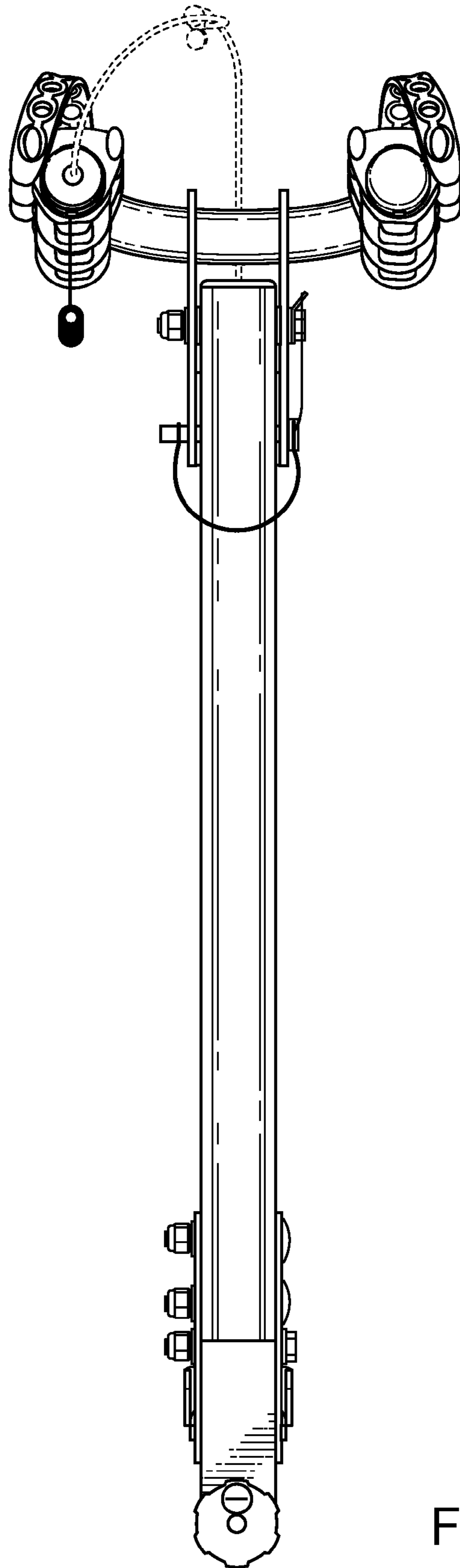


FIG. 6

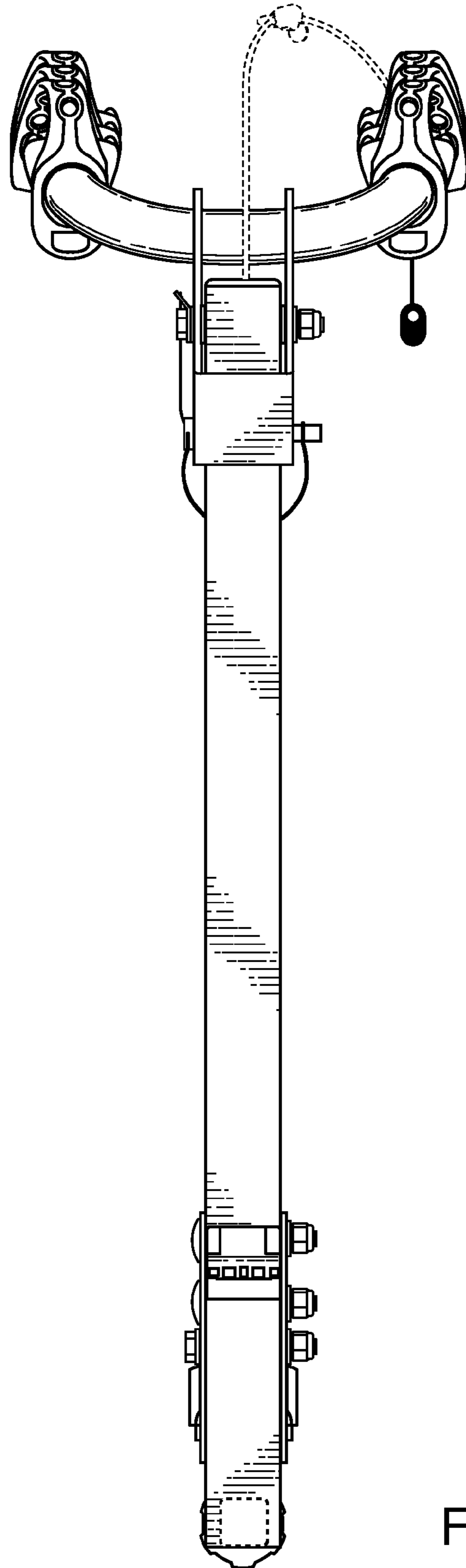


FIG. 7