



US00D608721S

(12) **United States Design Patent**  
**Wilczynski et al.**

(10) **Patent No.:** **US D608,721 S**  
(45) **Date of Patent:** **\*\* Jan. 26, 2010**

(54) **OVERHEAD STOWAGE COMPARTMENT**  
(75) Inventors: **Paul J. Wilczynski**, Seattle, WA (US);  
**William C. Quan**, Redmond, WA (US)  
(73) Assignee: **The Boeing Company**, Chicago, IL  
(US)

6,899,299 B2 \* 5/2005 Ritts ..... 244/118.5  
D506,630 S \* 6/2005 Schweikarth ..... D6/510  
7,118,068 B2 \* 10/2006 Graf et al. .... 244/118.5  
7,121,510 B2 \* 10/2006 Ritts ..... 244/118.5  
2002/0101090 A1 \* 8/2002 Steingrebe et al. .... 296/37.8  
2004/0140398 A1 \* 7/2004 Lau et al. .... 244/118.1

\* cited by examiner

(\*\*) Term: **14 Years**

*Primary Examiner*—Cathron C Brooks  
*Assistant Examiner*—Kevin K Rudzinski

(21) Appl. No.: **29/278,366**

(74) *Attorney, Agent, or Firm*—Rozenblat IP LLC

(22) Filed: **Mar. 27, 2007**

(57) **CLAIM**

(51) **LOC (9) Cl.** ..... **12-07**

What is claimed is the ornamental design for an overhead stowage compartment, as shown.

(52) **U.S. Cl.** ..... **D12/345**

(58) **Field of Classification Search** ..... D12/345,  
D12/423, 44, 42, 319, 414.4, 415, 416, 421,  
D12/424, 426, 426.1, 419; D6/356, 511,  
D6/332, 336, 337, 338, 492; 224/29.5, 405;  
296/146.16, 24.34; 244/118.1, 118.5, 118.6,  
244/119, 122 AH

**DESCRIPTION**

See application file for complete search history.

FIG. 1 is an under side perspective view of an overhead stowage compartment installed in an aircraft;

(56) **References Cited**

**U.S. PATENT DOCUMENTS**

4,275,942 A \* 6/1981 Steidl ..... 312/266  
4,368,937 A \* 1/1983 Palombo et al. .... 312/325  
5,441,218 A \* 8/1995 Mueller et al. .... 244/118.1  
5,934,615 A \* 8/1999 Treichler et al. .... 244/118.5  
D432,816 S \* 10/2000 Hellwig et al. .... D6/441  
6,227,635 B1 \* 5/2001 Teppo et al. .... 312/328  
D457,480 S \* 5/2002 Natsume et al. .... D12/345  
6,398,163 B1 \* 6/2002 Welch et al. .... 244/118.1  
D466,723 S \* 12/2002 Heidmann et al. .... D6/441  
6,857,603 B2 \* 2/2005 Lau et al. .... 244/118.1  
6,886,781 B2 \* 5/2005 Lau et al. .... 244/118.1

FIG. 2 is a top side perspective view of the overhead stowage compartment of FIG. 1, with the overhead stowage compartment removed from the aircraft;

FIG. 3 is a front view thereof, along line 3—3;

FIG. 4 is a left side view thereof, along line 4—4;

FIG. 5 is a back side view thereof, along line 5—5;

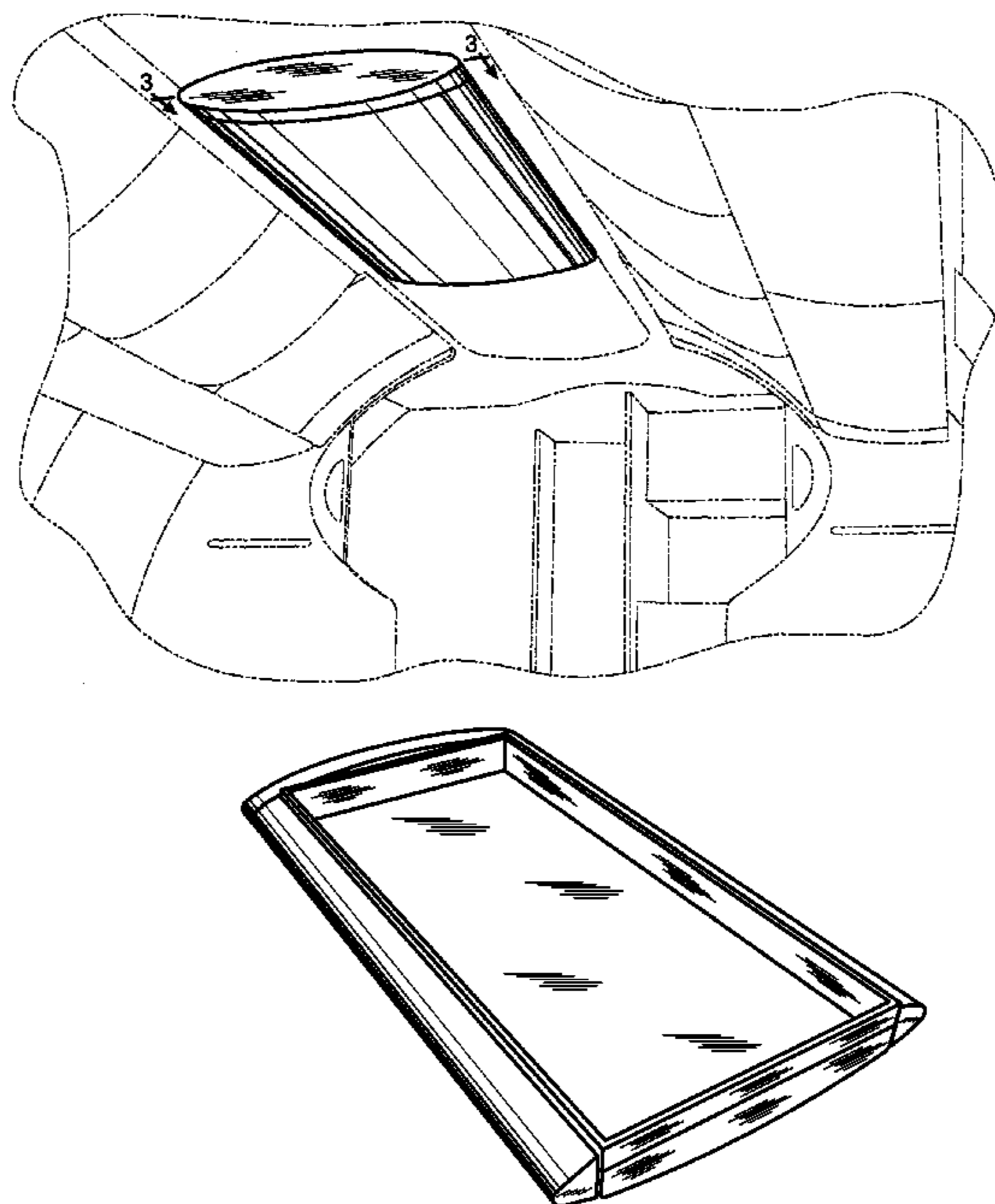
FIG. 6 is a right side view thereof, along line 6—6;

FIG. 7 is a top side view thereof, along line 7—7;

FIG. 8 is a bottom side view thereof, along line 8—8; and,

FIG. 9 is a bottom side perspective view of the overhead stowage compartment of FIG. 2, shown with the door open and a life raft in broken lines.

**1 Claim, 4 Drawing Sheets**



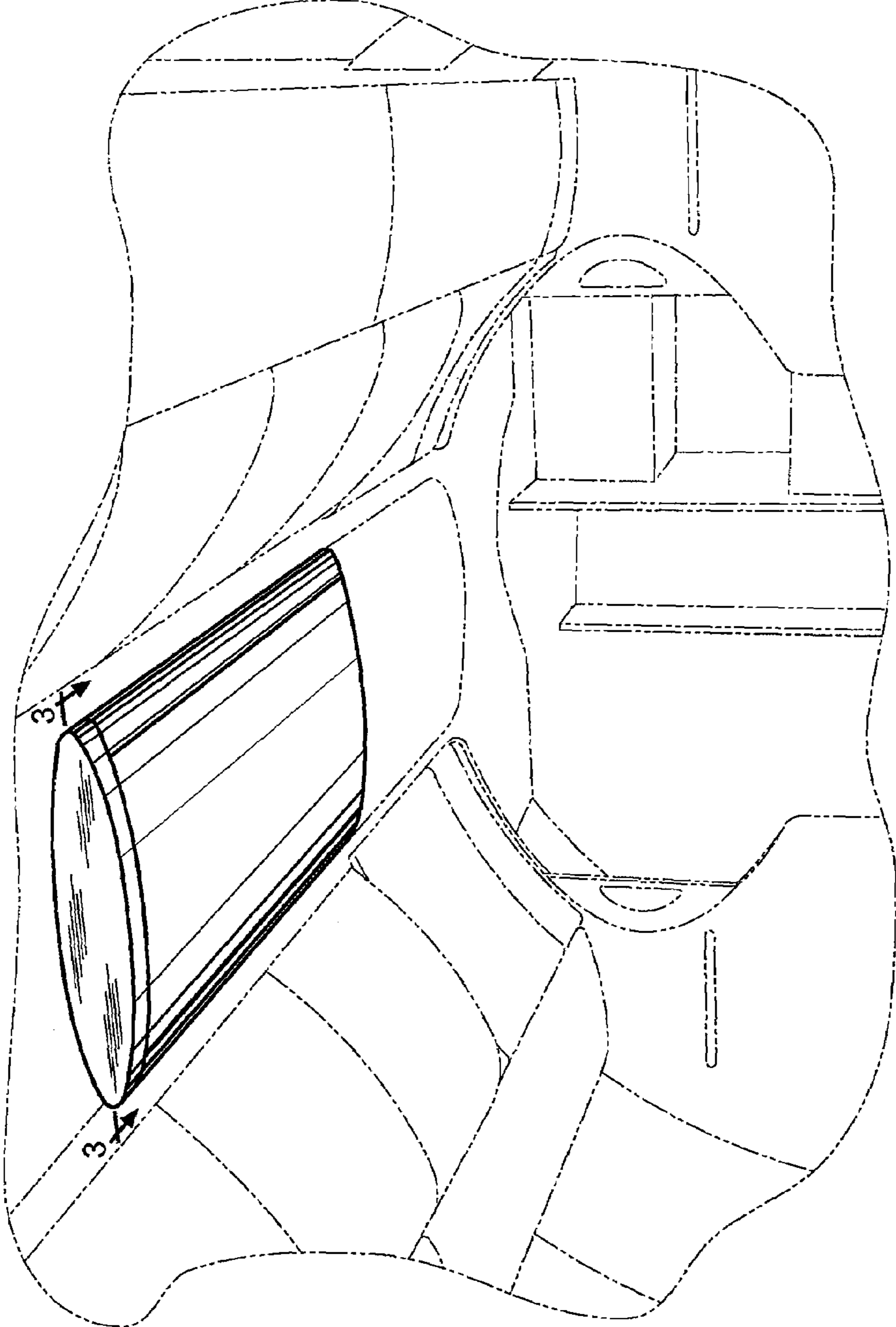


FIGURE 1

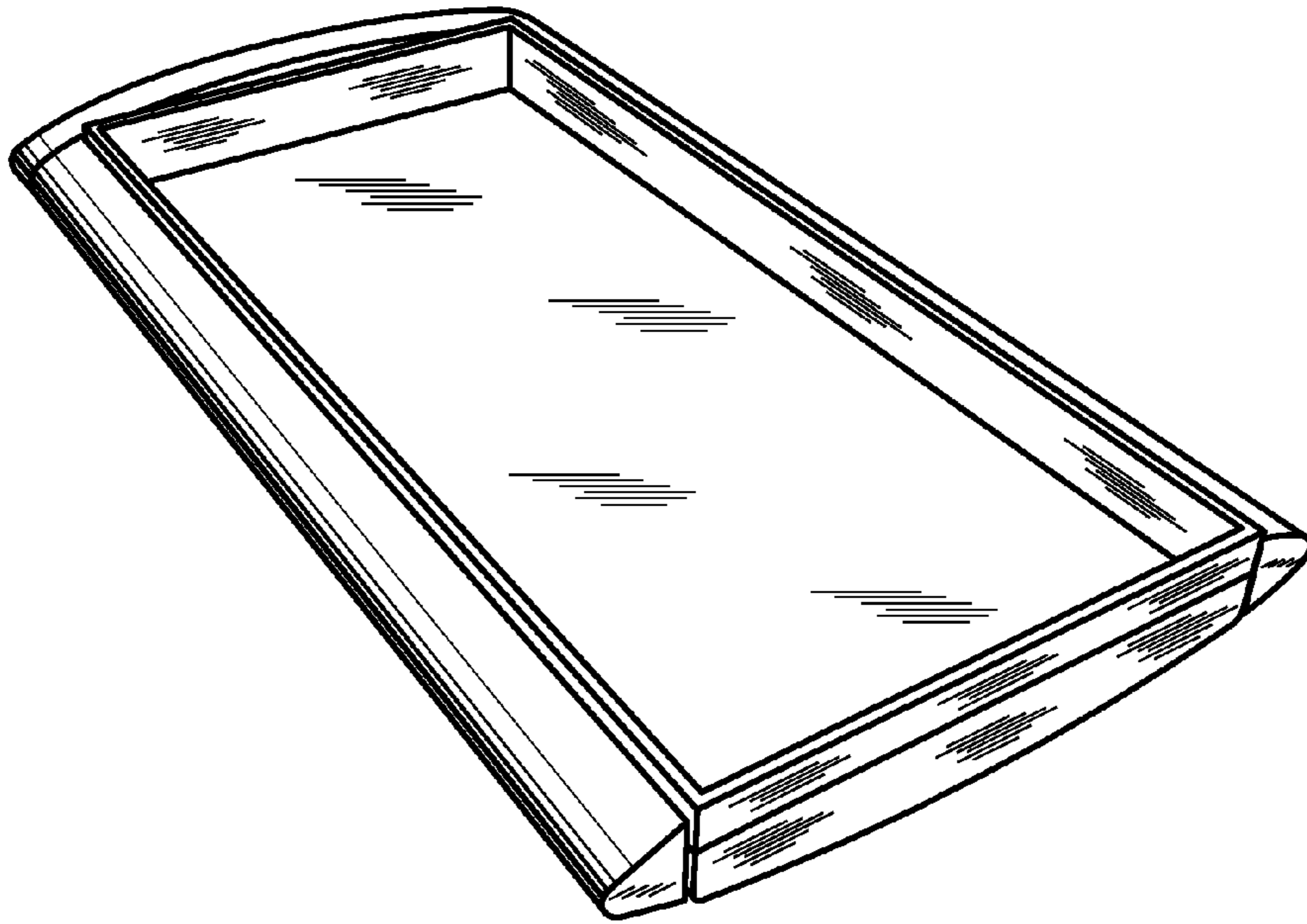


FIG. 2

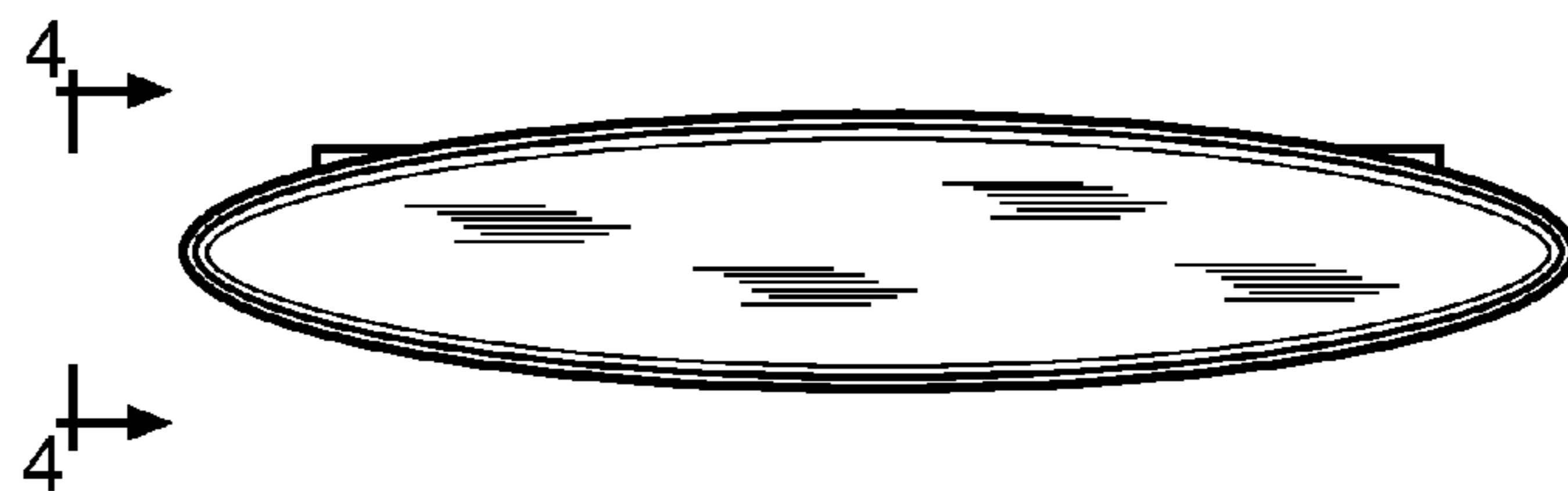


FIG. 3



FIG. 4

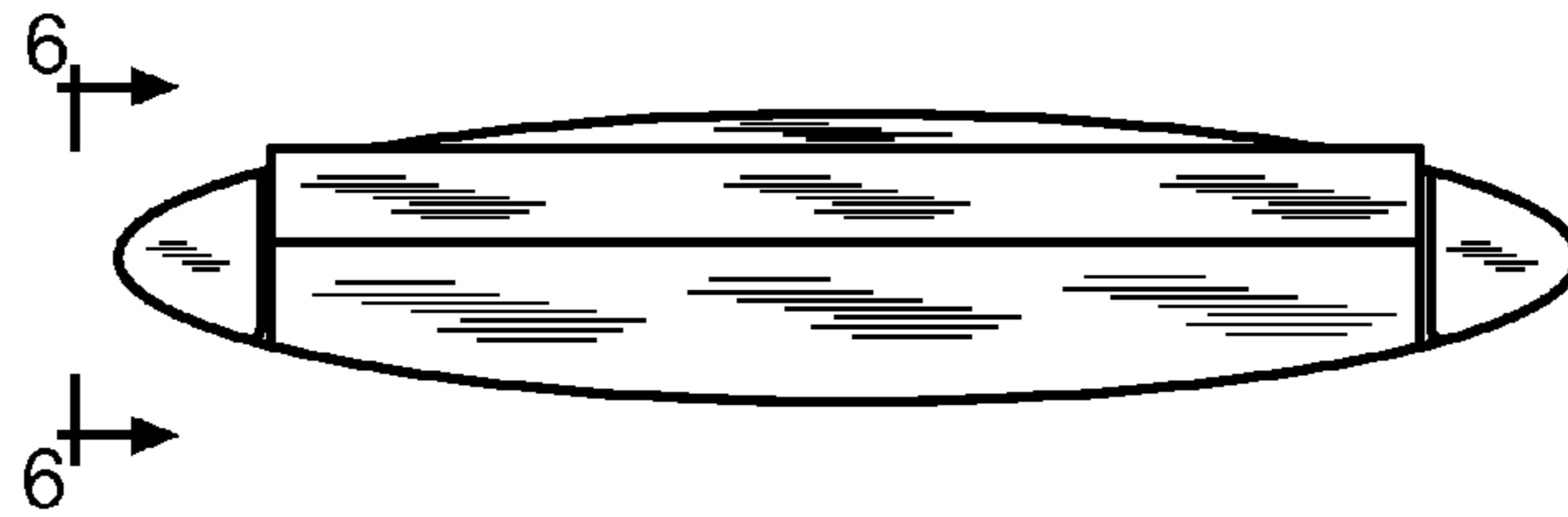


FIG. 5

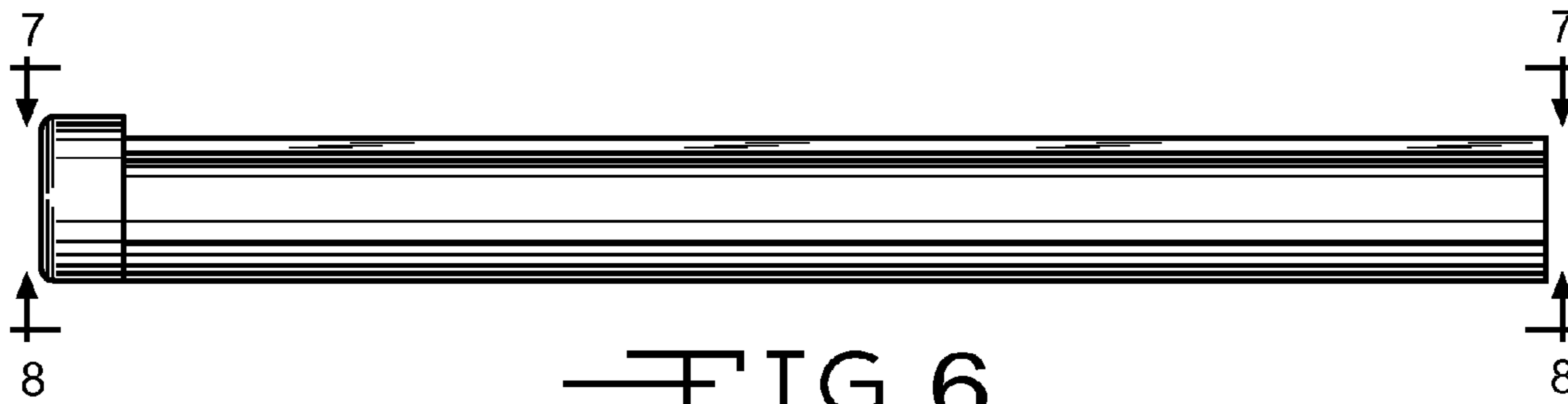


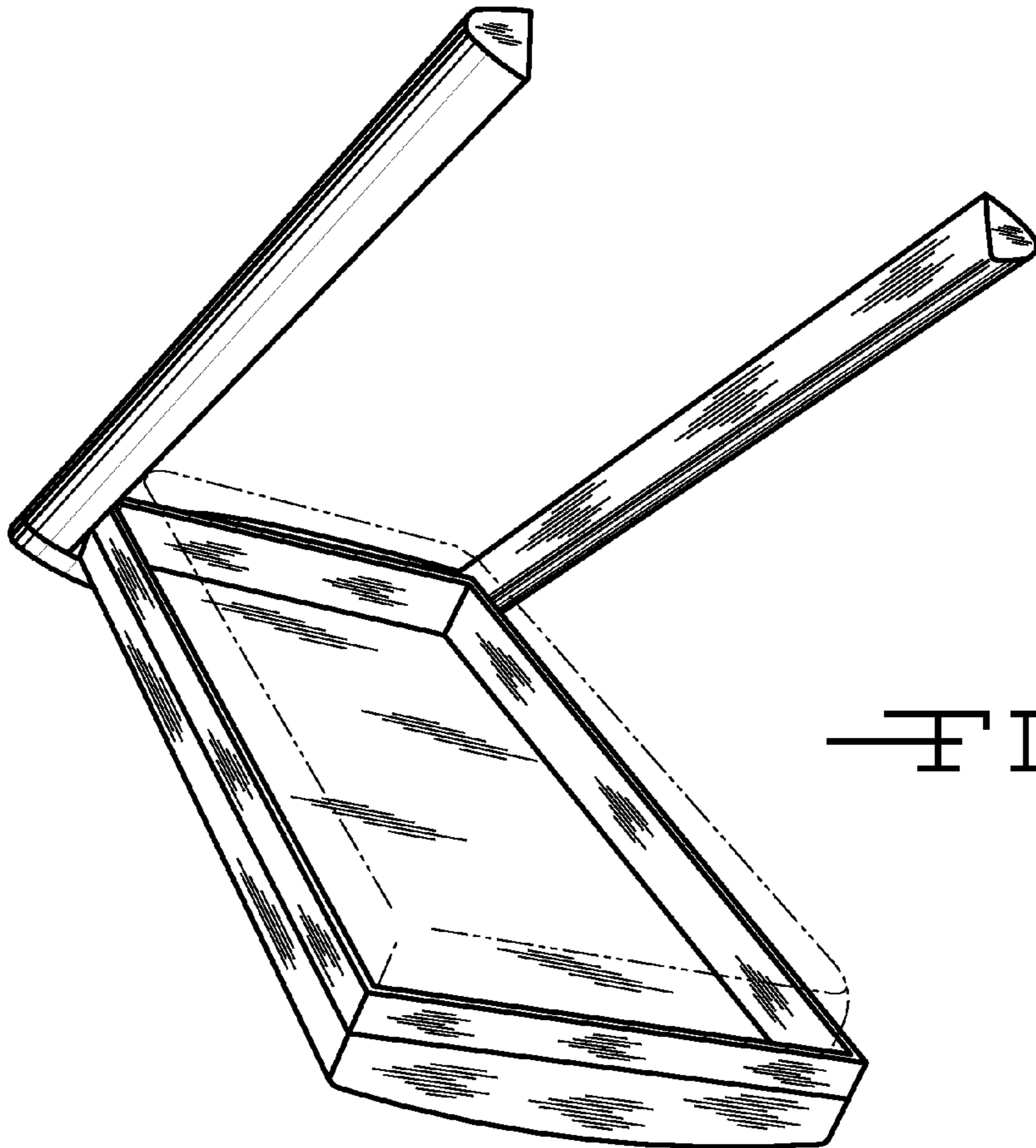
FIG. 6



FIG. 7



—FIG. 8



—FIG. 9