



US00D608718S

(12) **United States Design Patent**
Nas et al.

(10) **Patent No.:** **US D608,718 S**
(45) **Date of Patent:** **** Jan. 26, 2010**

(54) **BRACKET**

(75) Inventors: **Casey Nas**, Kurmomd (AU); **Ralph Daignault**, Shanes Park (AU)

(73) Assignee: **Lelox (Australia) Pty Ltd**, South Windsor, New South Wales (AU)

(**) Term: **14 Years**

(21) Appl. No.: **29/305,285**

(22) Filed: **Mar. 17, 2008**

(51) **LOC (9) Cl.** **12-06**

(52) **U.S. Cl.** **D12/223**

(58) **Field of Classification Search** D12/223;
D8/349, 354; 248/200, 300; 280/96.1, 849
See application file for complete search history.

(56) **References Cited**

U.S. PATENT DOCUMENTS

3,205,003 A * 9/1965 Jensen 296/102
5,950,975 A * 9/1999 Zieske 248/291.1
D434,716 S * 12/2000 Zieske D12/223

6,254,161 B1 * 7/2001 Wochaski 296/29
D454,828 S * 3/2002 Alder D12/223
6,648,373 B2 * 11/2003 Hawes 280/854
D545,753 S * 7/2007 Hu D12/223
D547,255 S * 7/2007 Savage et al. D12/223

* cited by examiner

Primary Examiner—Holly H Baynham

Assistant Examiner—Sheryl Lane

(74) *Attorney, Agent, or Firm*—Knobbe Martens Olson & bear LLP

(57) **CLAIM**

I claim the ornamental design for a bracket, as shown and described.

DESCRIPTION

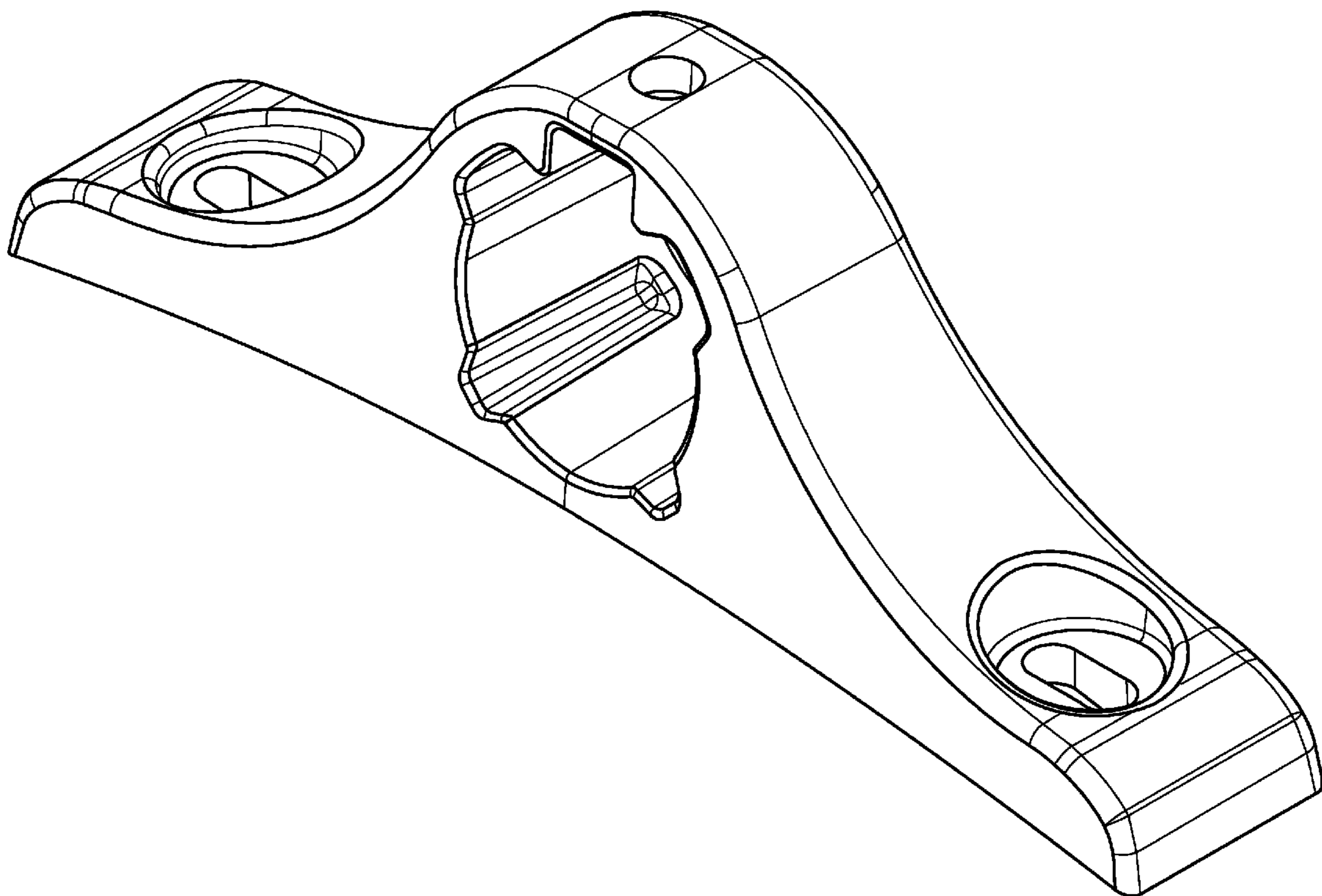
FIG. 1 is a perspective view of the bracket;

FIG. 2 is a side view of the bracket;

FIG. 3 is another side view of the bracket; and,

FIG. 4 is a top view of the bracket.

1 Claim, 4 Drawing Sheets



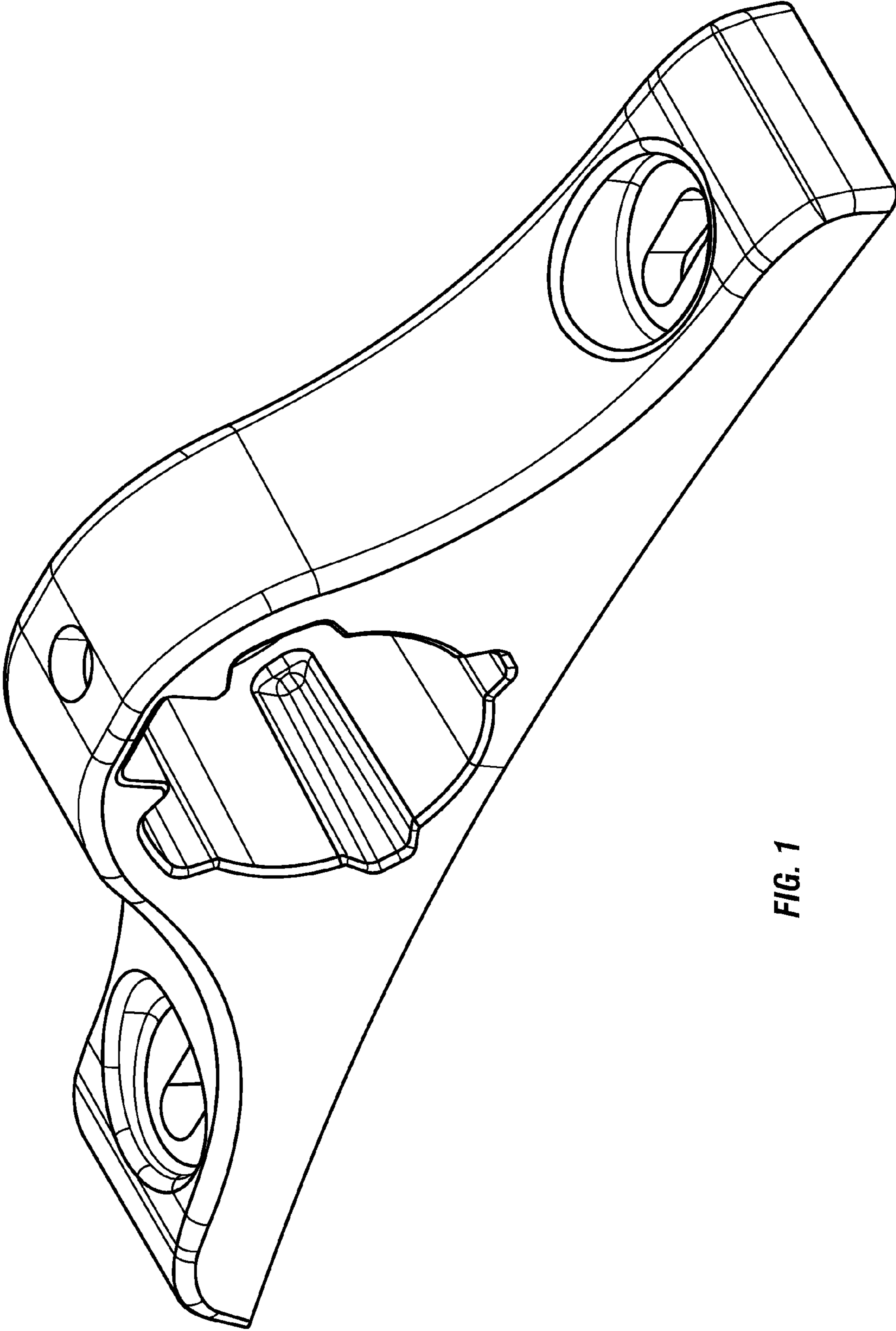


FIG. 1

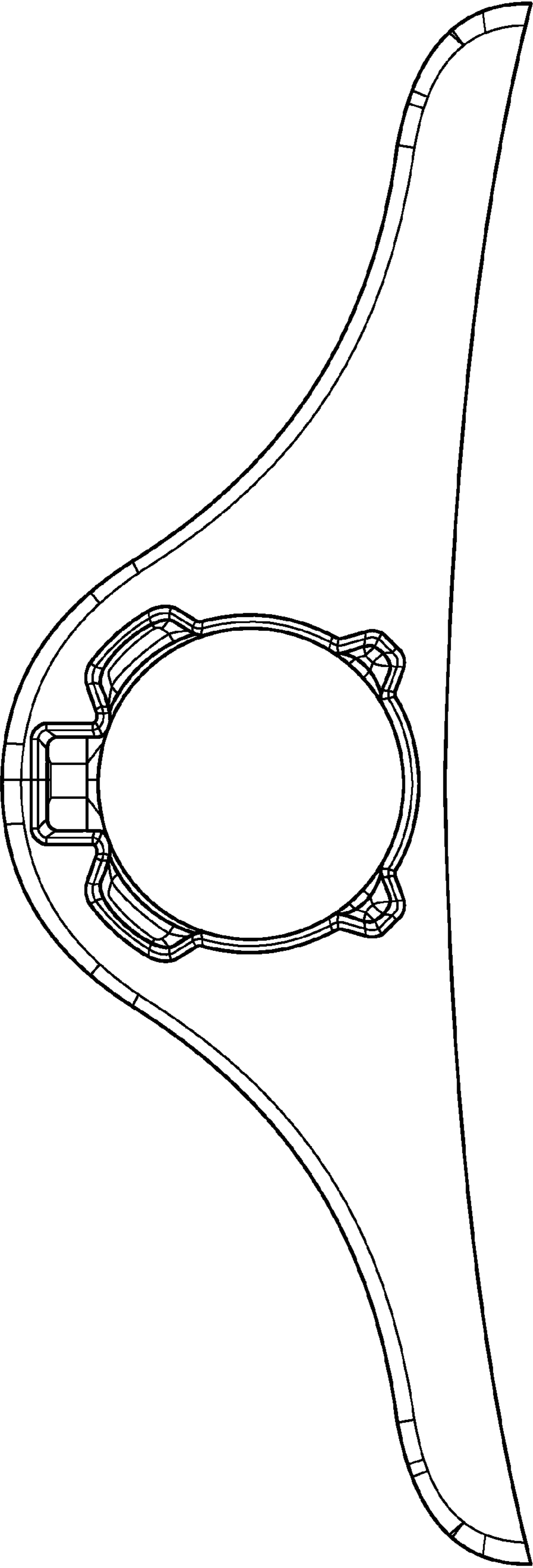


FIG. 2

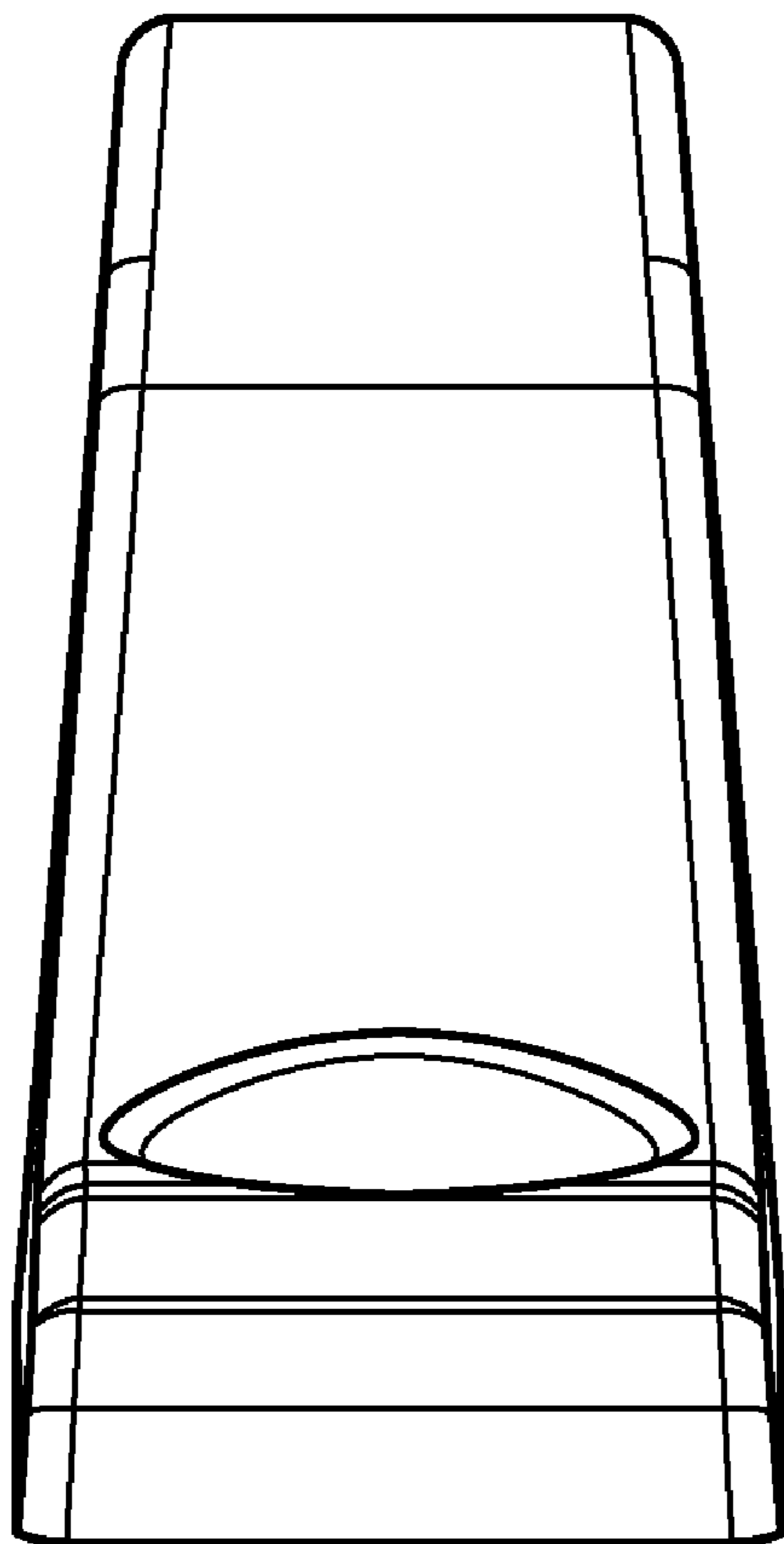


FIG. 3

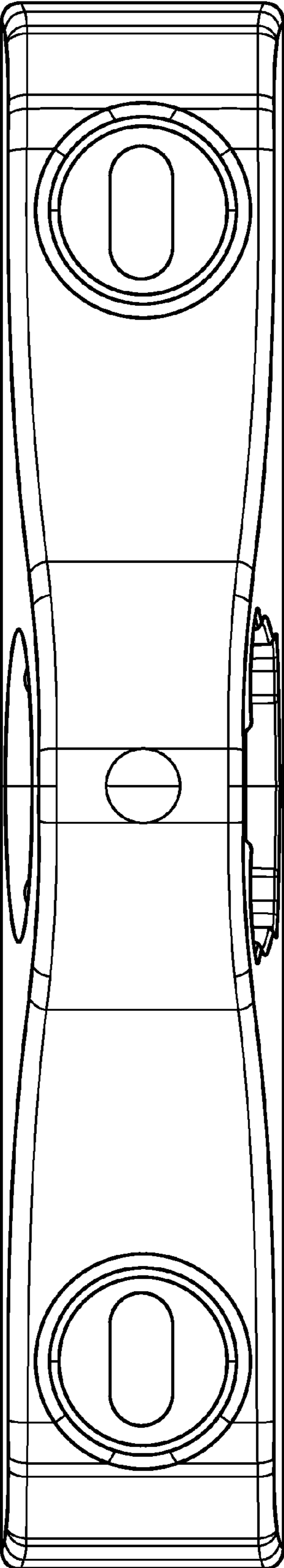


FIG. 4