



US00D608715S

(12) **United States Design Patent**
Bucher et al.

(10) **Patent No.:** **US D608,715 S**
(45) **Date of Patent:** **** Jan. 26, 2010**

(54) **VEHICLE WHEEL**

(75) Inventors: **George Bucher**, Dearborn, MI (US);
Melvin Betancourt, Shelby Township,
MI (US); **James Yu-Hsin Kuo**,
Farmington Hills, MI (US)

(73) Assignee: **Ford Motor Company**, Dearborn, MI
(US)

(**) Term: **14 Years**

(21) Appl. No.: **29/338,457**

(22) Filed: **Jun. 11, 2009**

(51) **LOC (9) Cl.** **12-16**

(52) **U.S. Cl.** **D12/211**

(58) **Field of Classification Search** D12/204-213;
301/37.101, 64.101, 65

See application file for complete search history.

(56) **References Cited**

U.S. PATENT DOCUMENTS

D580,840 S	*	11/2008	Elmitt	D12/209
D581,851 S	*	12/2008	Scheu	D12/211
D581,853 S	*	12/2008	Rak	D12/211
D582,851 S	*	12/2008	Lavy	D13/133
D583,739 S	*	12/2008	Gallert	D12/209

D584,211 S	*	1/2009	Farny	D12/211
D584,996 S		1/2009	Jamieson et al.		
D589,425 S	*	3/2009	Theiss	D12/209
D596,549 S	*	7/2009	Varga	D12/211

OTHER PUBLICATIONS

Ford Concept Ecosport AT, 2006 Sao Paulo Brazil Auto Show.
Ford Concept Explorer America, Jan. 2008 NA Auto Show.
Ford Explorer 4.0 Limited, Jan. 2009 NA Auto Show.

* cited by examiner

Primary Examiner—Caron Veynar

Assistant Examiner—Katrina A Kile

(74) *Attorney, Agent, or Firm*—Damian Porcari

(57) **CLAIM**

An ornamental design for a vehicle wheel, as shown and described.

DESCRIPTION

FIG. 1 is a front view of a vehicle wheel;

FIG. 2 is a perspective view of the vehicle wheel; and,

FIG. 3 is a side view of the vehicle wheel.

In the drawings, the broken lines showing a vehicle wheel rim form no part of the claimed design.

1 Claim, 3 Drawing Sheets

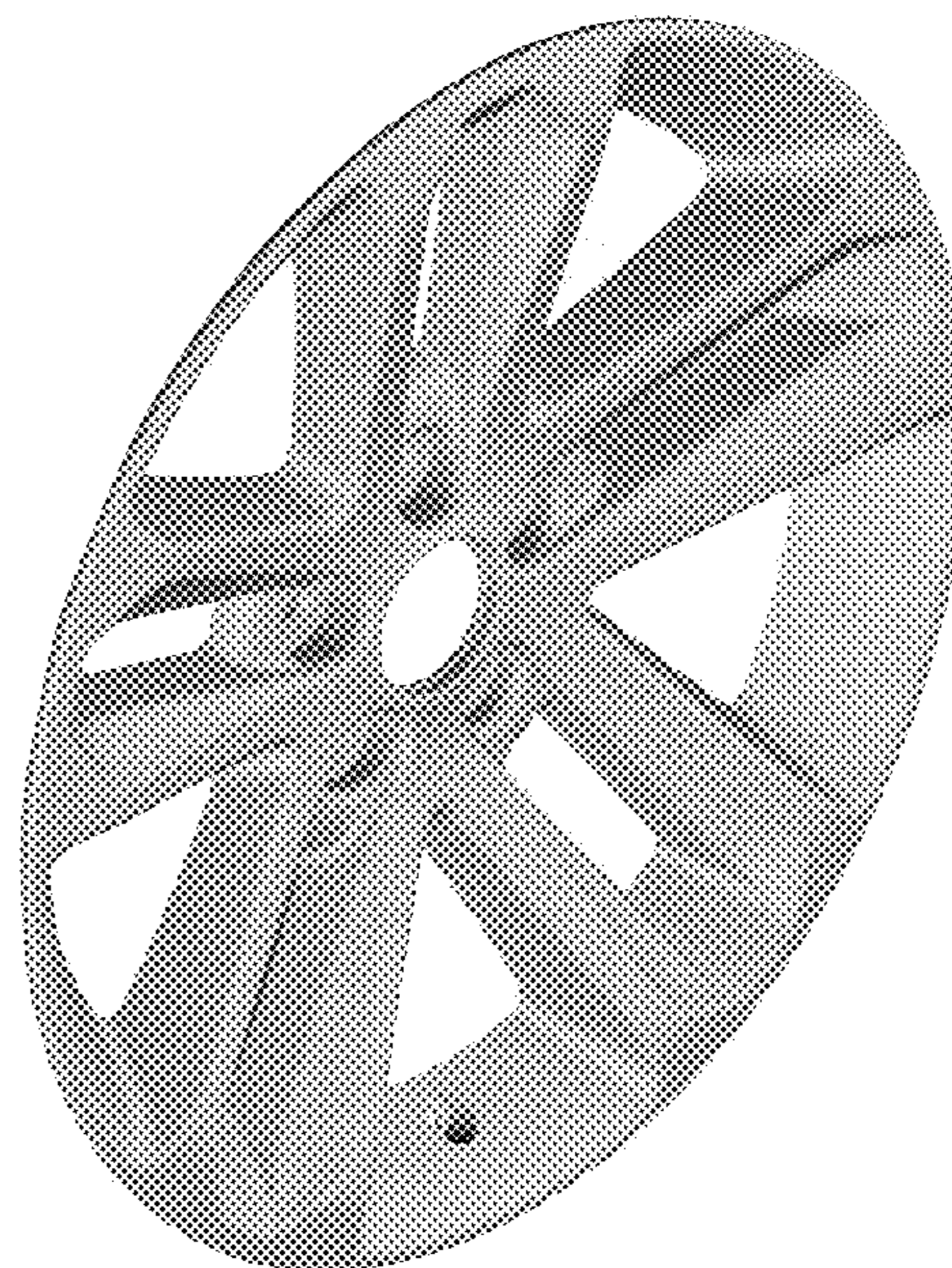
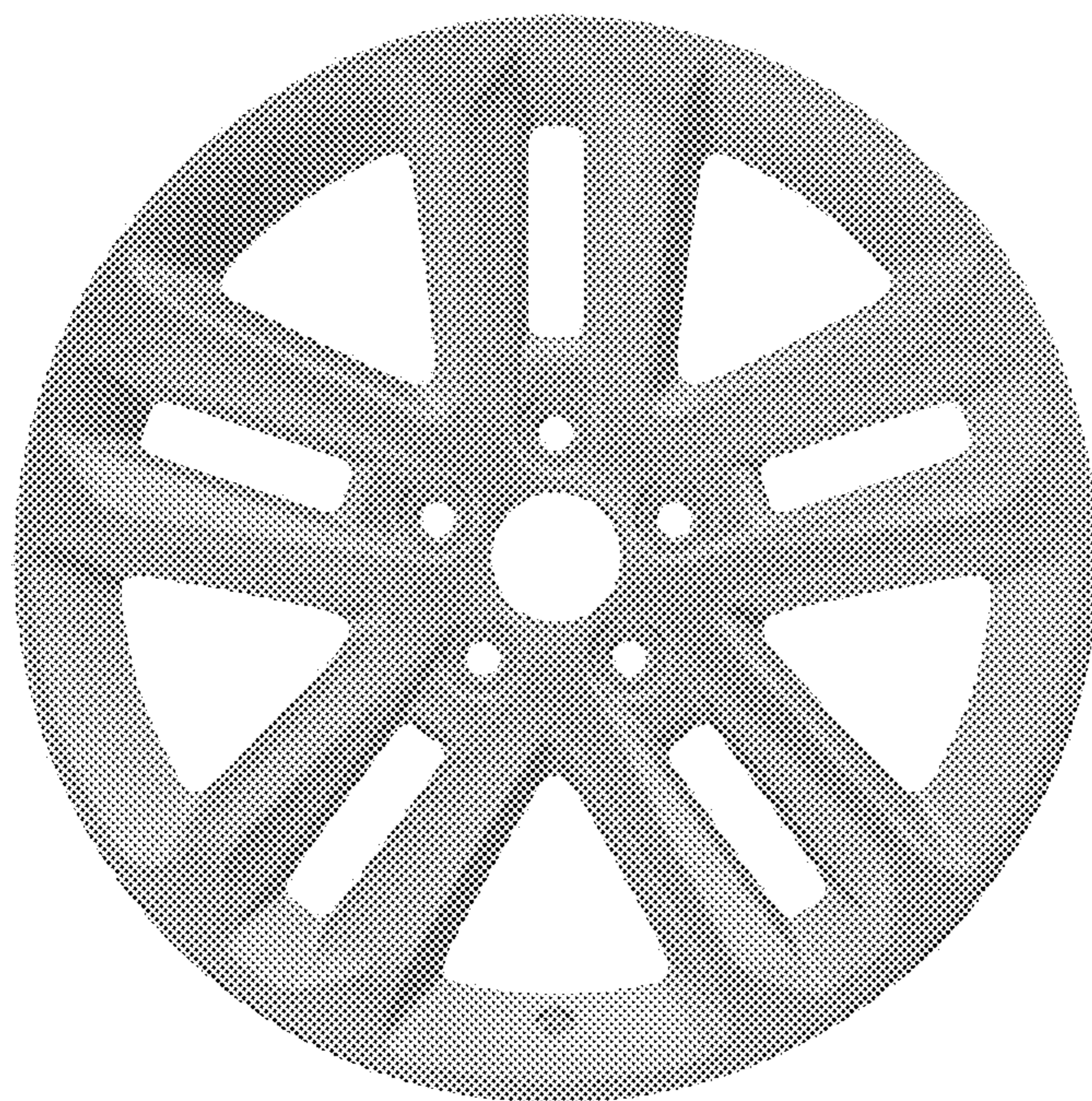




Figure 1



Figure 2



Figure 3