



US00D608712S

(12) **United States Design Patent**
Pollmann

(10) **Patent No.:** **US D608,712 S**
(45) **Date of Patent:** **** Jan. 26, 2010**

(54) **WHEEL OR WHEEL COVER**

(75) Inventor: **Gert Pollmann**, Boehmfeld (DE)

(73) Assignee: **Bayerische Motoren Werke Aktiengesellschaft**, Munich (DE)

(**) Term: **14 Years**

(21) Appl. No.: **29/326,022**

(22) Filed: **Oct. 10, 2008**

(30) **Foreign Application Priority Data**

Apr. 14, 2008 (DE) 402008001891

(51) **LOC (9) Cl.** **12-16**

(52) **U.S. Cl.** **D12/209**

(58) **Field of Classification Search** D12/204-213;
301/37.101, 64.101, 65
See application file for complete search history.

(56) **References Cited**

U.S. PATENT DOCUMENTS

D508,671 S	8/2005	Baum	
D535,933 S	1/2007	Markefka	
D589,865 S *	4/2009	Jung et al.	D12/209
D590,322 S *	4/2009	Rak	D12/211
D591,216 S *	4/2009	Laengerer	D12/209
D591,662 S *	5/2009	Imai	D12/211
D594,396 S *	6/2009	Juergens et al.	D12/209
D595,201 S *	6/2009	Antoniadis et al.	D12/211
D596,099 S *	7/2009	Chung	D12/209

D597,013 S *	7/2009	Chung	D12/211
D597,917 S *	8/2009	Chung	D12/209
D597,918 S *	8/2009	Juergens et al.	D12/209
2009/0179480 A1 *	7/2009	Modlinger et al.	301/6.3

FOREIGN PATENT DOCUMENTS

WO DM061794 8/2002

* cited by examiner

Primary Examiner—Caron Veynar

Assistant Examiner—Katrina A Kile

(74) *Attorney, Agent, or Firm*—Crowell & Moring LLP

(57) **CLAIM**

The ornamental design for a wheel or wheel cover, as shown and described.

DESCRIPTION

This application is related to the following co-pending applications:

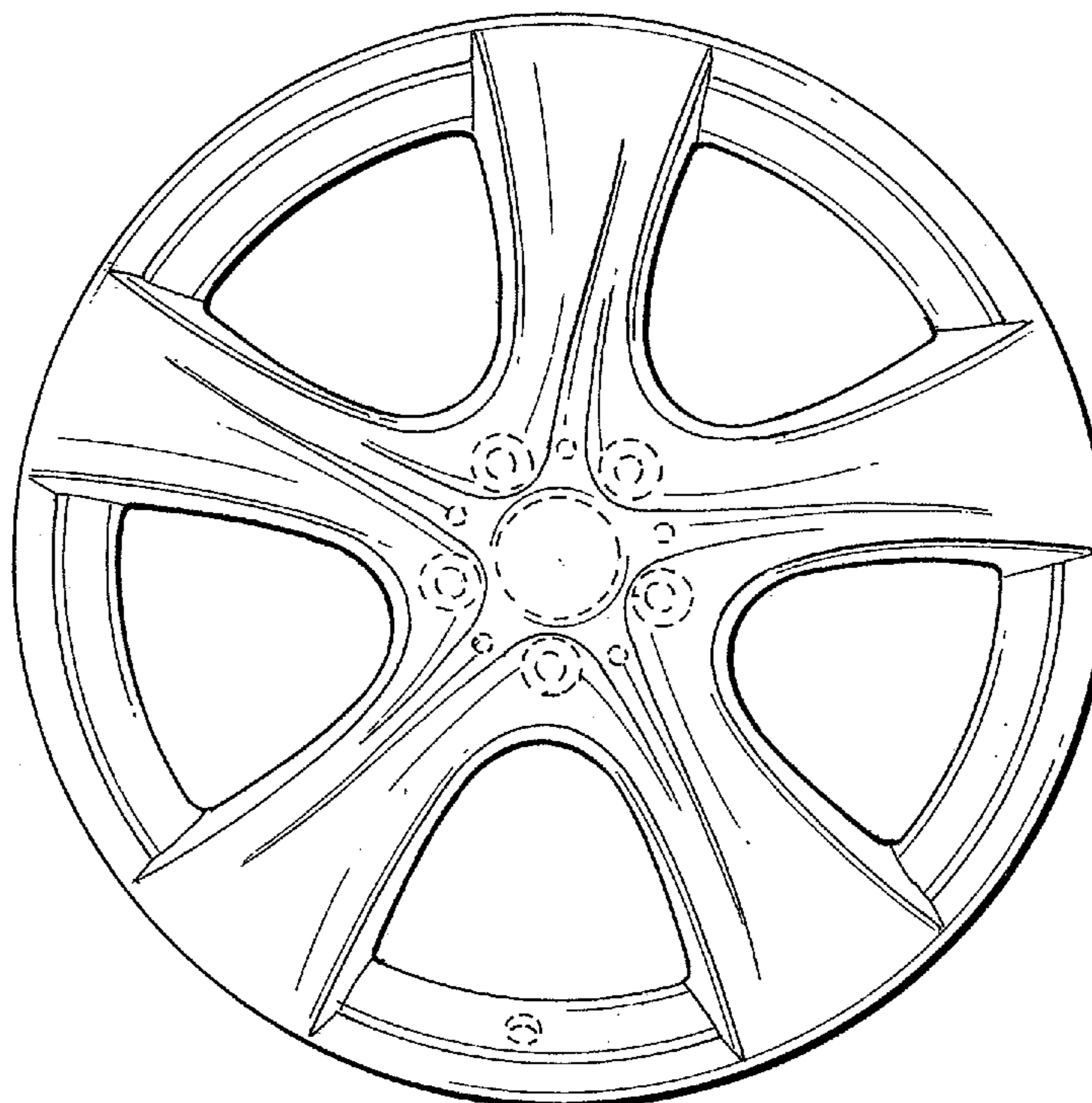
Application Ser. No. 29/265,366 filed Aug. 31, 2006; and
Application Ser. No. 29/290,879 filed Jan. 25, 2008.

FIG. 1 is a front view of a wheel or wheel cover according to my novel design; and,

FIG. 2 is a perspective view thereof.

The broken line showing of the rear portion of the wheel rim, central hub, and air valve area is included for the purpose of illustrating environment and form no part of the claimed design.

1 Claim, 1 Drawing Sheet



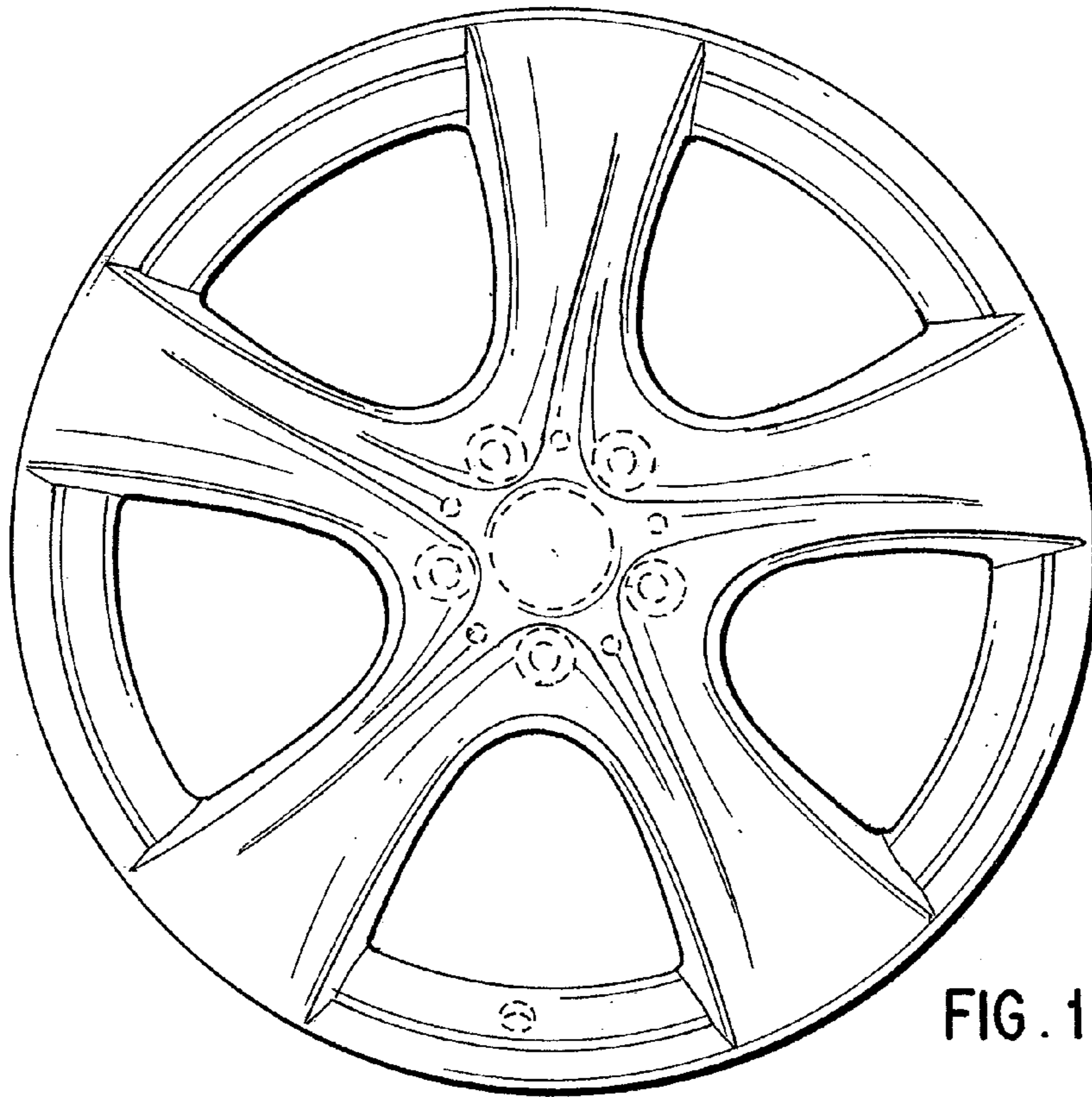


FIG. 1

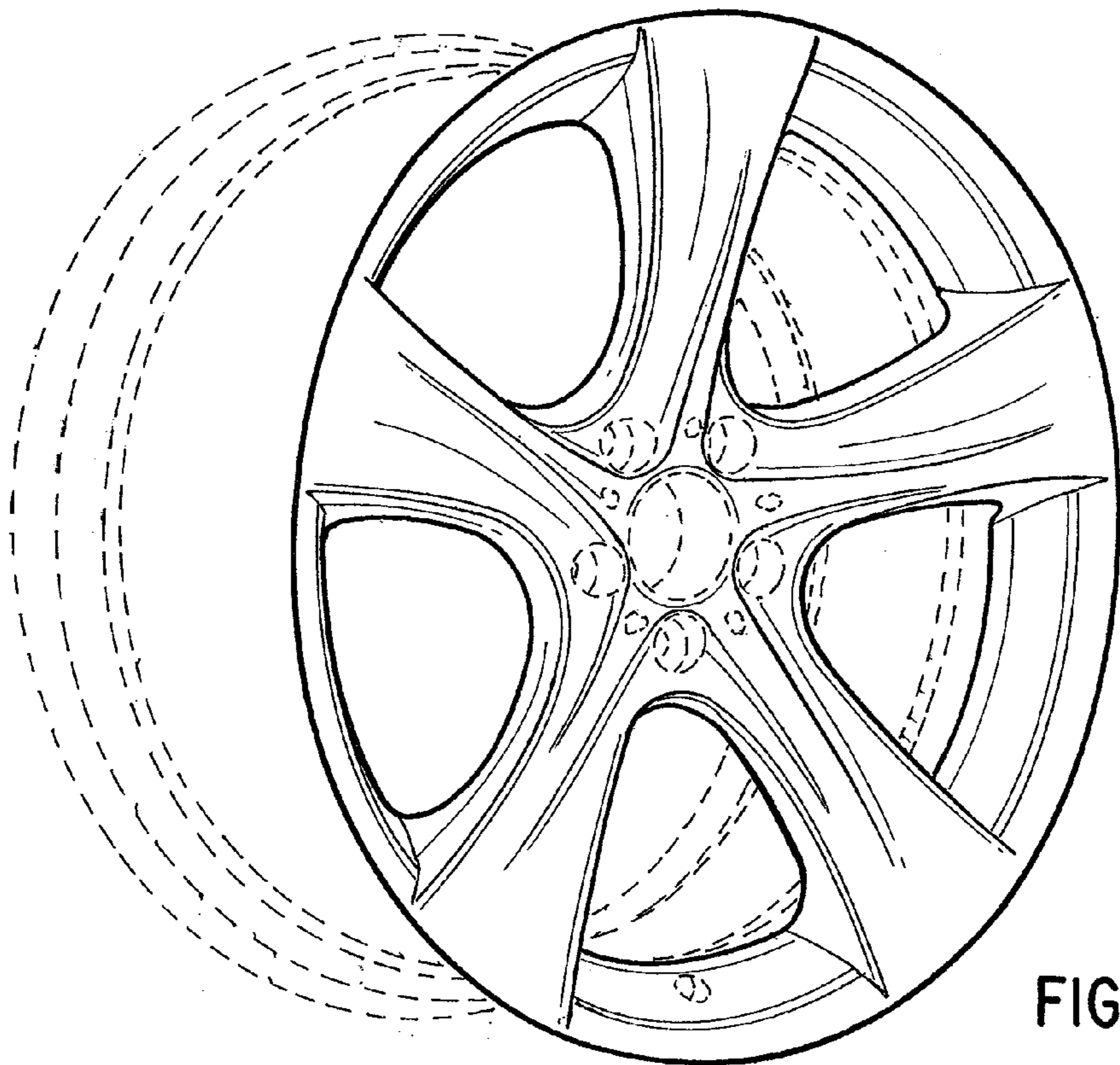


FIG. 2