



US00D608711S

(12) **United States Design Patent**
Juergens et al.

(10) **Patent No.:** **US D608,711 S**
(45) **Date of Patent:** **** Jan. 26, 2010**

(54) **WHEEL OR WHEEL COVER**
(75) Inventors: **Dirk Juergens**, Munich (DE); **Rainer Mueller**, Munich (DE)

D593,022 S * 5/2009 Forster et al. D12/211
D595,632 S * 7/2009 Hernandez D12/211
D596,552 S * 7/2009 Beermann D12/211
D597,015 S * 7/2009 Juergens et al. D12/211
2002/0158504 A1 * 10/2002 Ito et al. 301/65

(73) Assignee: **Bayerische Motoren Werke Aktiengesellschaft**, Munich (DE)

* cited by examiner

(**) Term: **14 Years**

Primary Examiner—Caron Veynar
Assistant Examiner—Katrina A Kile

(21) Appl. No.: **29/326,021**

(74) *Attorney, Agent, or Firm*—Crowell & Moring LLP

(22) Filed: **Oct. 10, 2008**

(57) **CLAIM**

(30) **Foreign Application Priority Data**
Apr. 14, 2008 (DE) 402008001891

The ornamental design for a wheel or wheel cover, as shown and described.

(51) **LOC (9) Cl.** **12-16**
(52) **U.S. Cl.** **D12/209**
(58) **Field of Classification Search** D12/204–213;
301/37.101, 64.101, 65
See application file for complete search history.

DESCRIPTION

This application is related to the following co-pending applications:

Application Ser. No. 29/290,532, filed Dec. 13, 2007; and
Application Ser. No. 29/290,531, filed Dec. 13, 2007.

(56) **References Cited**

FIG. 1 is a front view of a wheel or wheel cover according to our novel design; and,

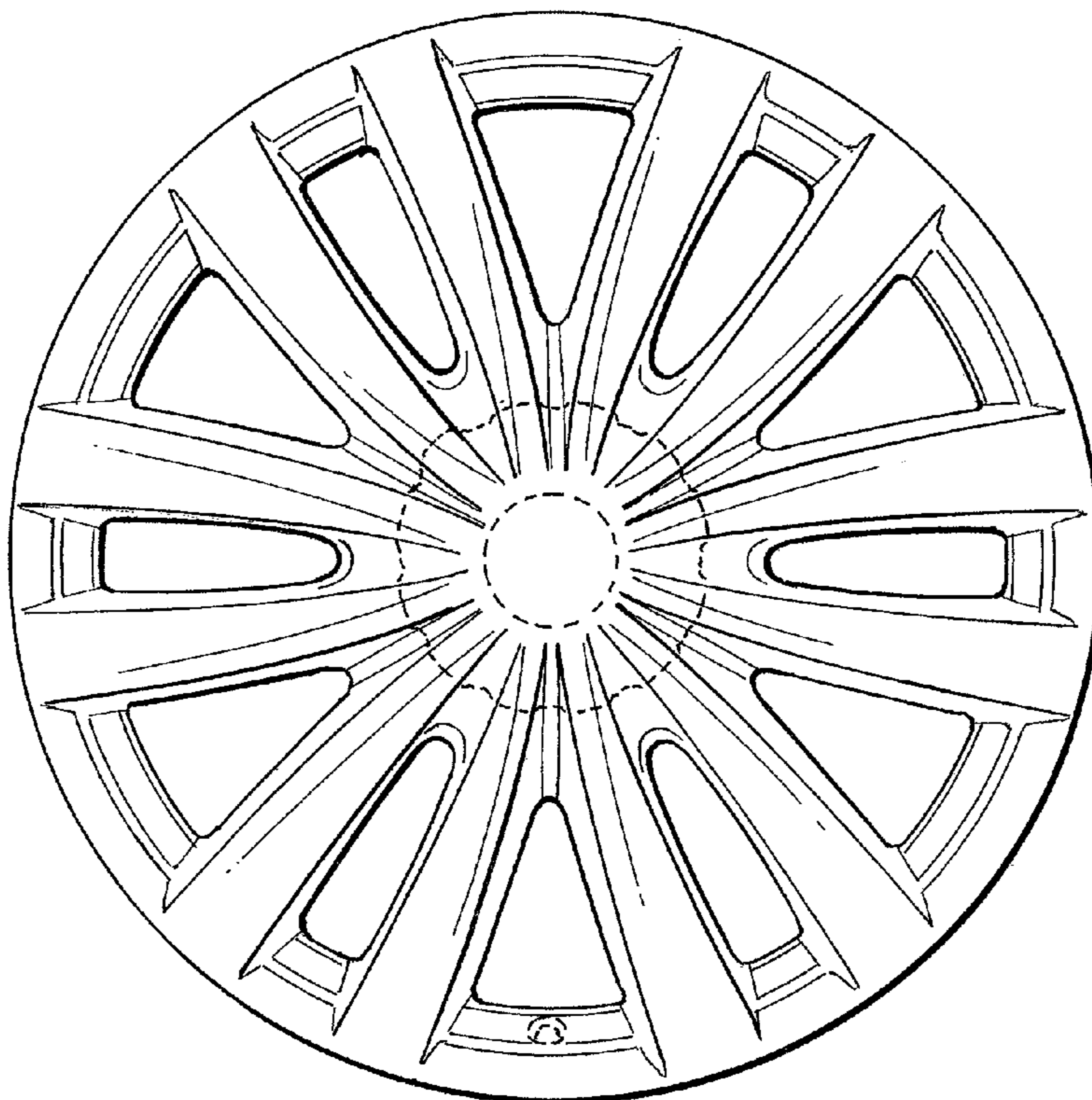
FIG. 2 is a perspective view thereof.

U.S. PATENT DOCUMENTS

D503,668 S 4/2005 Boyer
D504,381 S 4/2005 Rice
D516,002 S 2/2006 Fahr-Becker
D521,438 S 5/2006 Nordmann
D580,842 S * 11/2008 Kim D12/211
D590,319 S * 4/2009 Juergens et al. D12/211
D591,661 S * 5/2009 Baum D12/209

The broken line showing of the rear portion of the wheel rim, central hub, and air valve area is included for the purpose of illustrating environment and form no part of the claimed design.

1 Claim, 1 Drawing Sheet



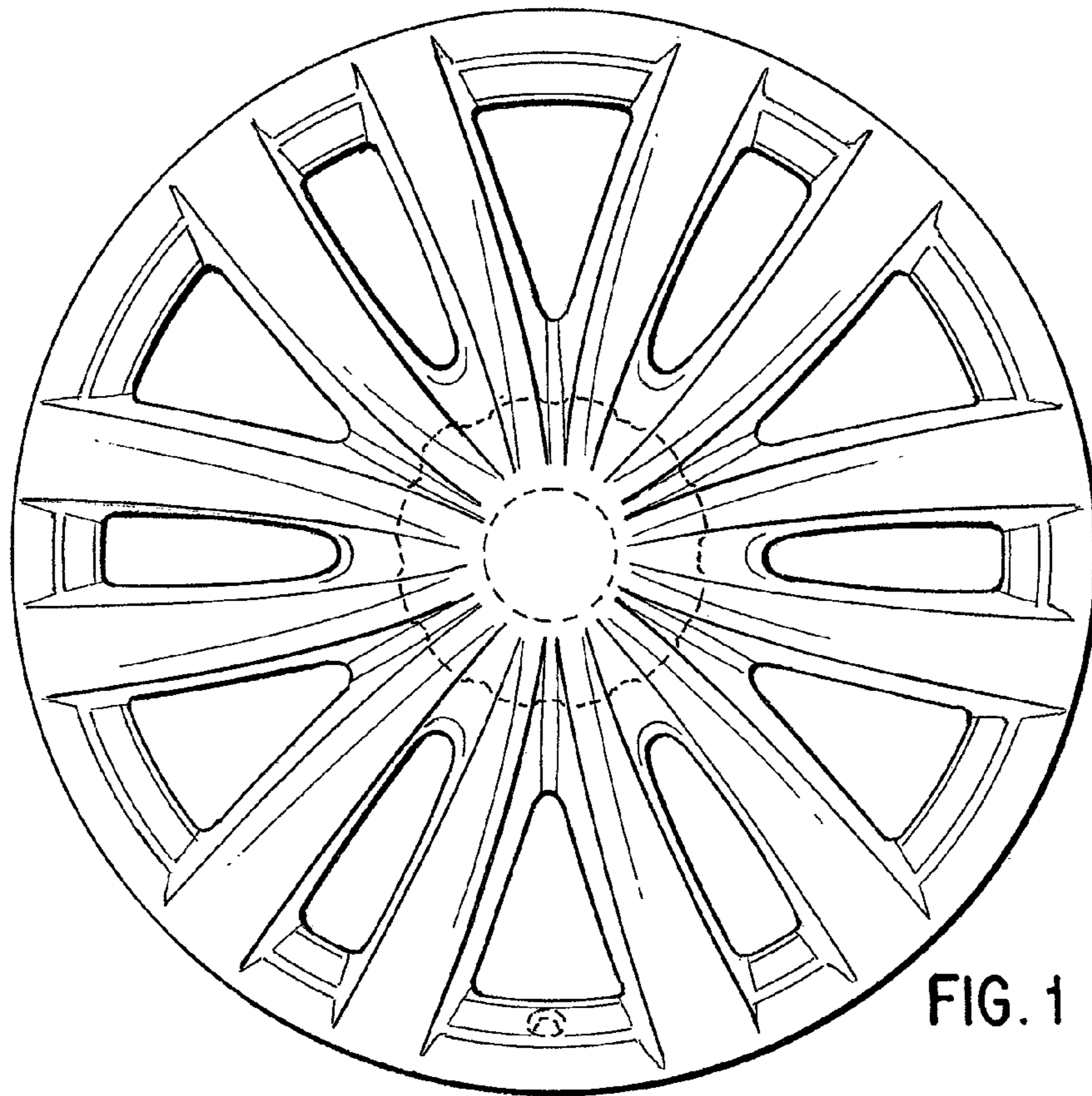


FIG. 1

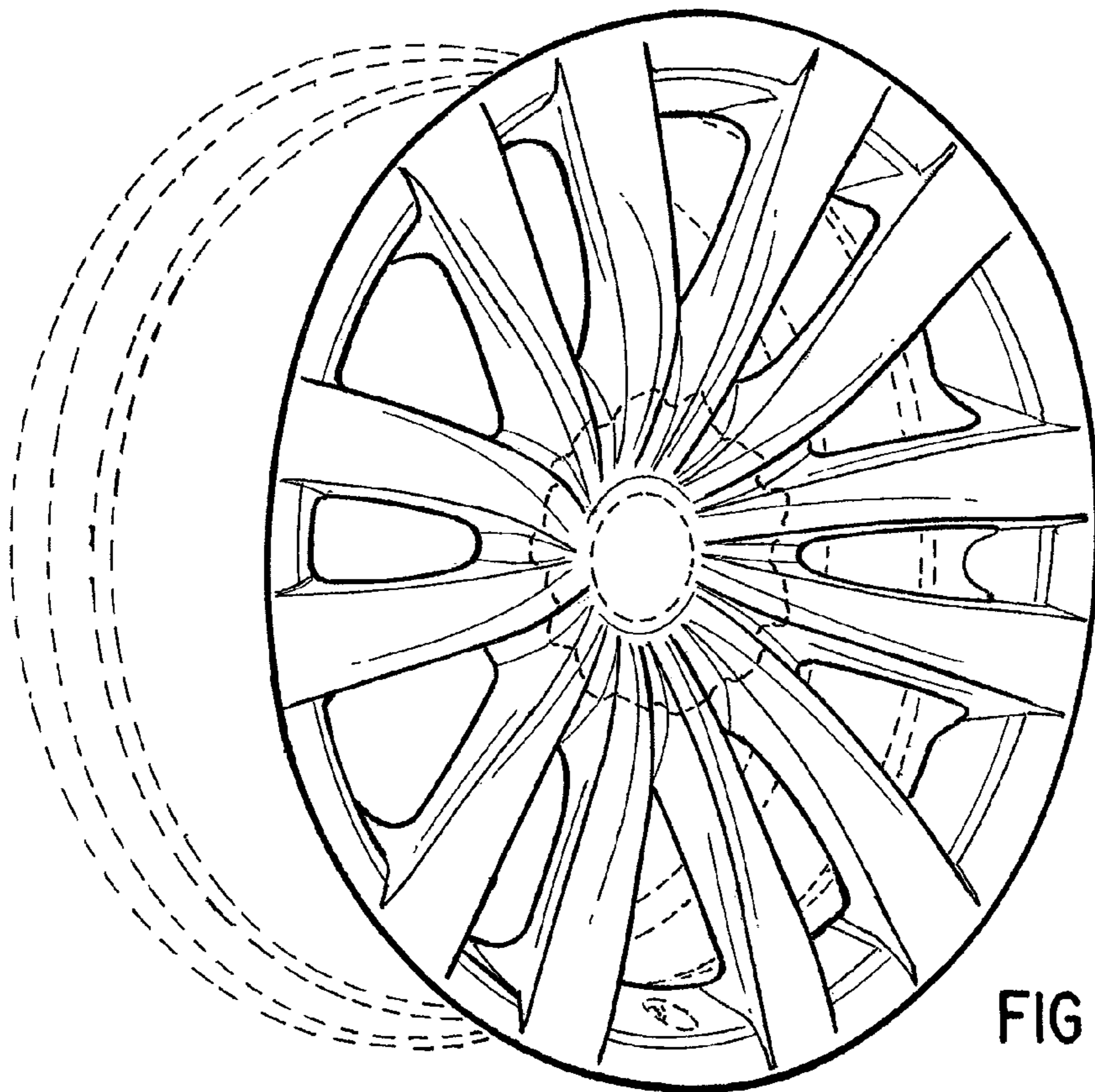


FIG. 2