



US00D608696S

(12) **United States Design Patent**
Bauer et al.

(10) **Patent No.:** **US D608,696 S**
(45) **Date of Patent:** **** Jan. 26, 2010**

(54) **VEHICLE, TOY REPLICA AND/OR OTHER REPLICAS**

(75) Inventors: **Karlheinz Bauer**, Esslingen (DE);
Hans-Dieter Futschik, Gechingen (DE);
Holger Hutzenlaub, Boeblingen (DE);
Steffen Koehl, Stuttgart (DE); **Frank Pfisterer**, Weil der Stadt (DE); **Gorden Wagener**, Stuttgart (DE); **Il-Hun Yoon**, Boeblingen (DE)

(73) Assignee: **Daimler AG**, Stuttgart (DE)

(**) Term: **14 Years**

(21) Appl. No.: **29/311,512**

(22) Filed: **Apr. 6, 2009**

(30) **Foreign Application Priority Data**

Oct. 7, 2008 (DE) 402008004778

(51) **LOC (9) Cl.** **12-08**

(52) **U.S. Cl.** **D12/92**

(58) **Field of Classification Search** D12/86,

D12/90-92; 296/181.1, 181.5

See application file for complete search history.

(56) **References Cited**

U.S. PATENT DOCUMENTS

D396,662 S * 8/1998 Belker et al. D12/86

(Continued)

Primary Examiner—Melody N Brown

(74) *Attorney, Agent, or Firm*—Crowell & Moring LLP

(57) **CLAIM**

The ornamental design for a vehicle, toy replica and/or other replicas, as shown and described.

DESCRIPTION

This application contains subject matter related to the following co-pending U.S. applications:

Application Ser. No. 29/311,511, entitled “Front Portion of a Vehicle, Toy, or Likeness Thereof”;

Application Ser. No. 29/311,510, entitled “Rear Portion of a Vehicle, Toy, or Likeness Thereof”; and

Application Ser. No. 29/311,513, entitled “Partial Top Portion of a Vehicle, Toy, or Likeness Thereof”.

FIG. 1 is a left, front perspective view of an embodiment of a vehicle, toy replica and/or other replicas according to my novel design, the right, front perspective view being mirror symmetrical;

FIG. 2 is a left, rear perspective view thereof, the right, rear perspective view being mirror symmetrical;

FIG. 3 is a left side view thereof, the right side view being mirror symmetrical;

FIG. 4 is a front view thereof;

FIG. 5 is a rear view thereof; and

FIG. 6 is a top view thereof.

FIG. 7 is a left, front perspective view of a second embodiment of the vehicle, toy replica and/or other replicas according to my novel design, the right, front perspective view being mirror symmetrical;

FIG. 8 is a left, rear perspective view of FIG. 7, the right, rear perspective view being mirror symmetrical;

FIG. 9 is a left side view of FIG. 7, the right side view being mirror symmetrical;

FIG. 10 is a front view of FIG. 7;

FIG. 11 is a rear view of FIG. 7; and

FIG. 12 is a top view of FIG. 7.

FIG. 13 is a left, front perspective view of a third embodiment of the vehicle, toy replica and/or other replicas according to my novel design, the right, front perspective view being mirror symmetrical;

FIG. 14 is a left, rear perspective view of FIG. 13, the right, rear perspective view being mirror symmetrical;

FIG. 15 is a left side view of FIG. 13, the right side view being mirror symmetrical;

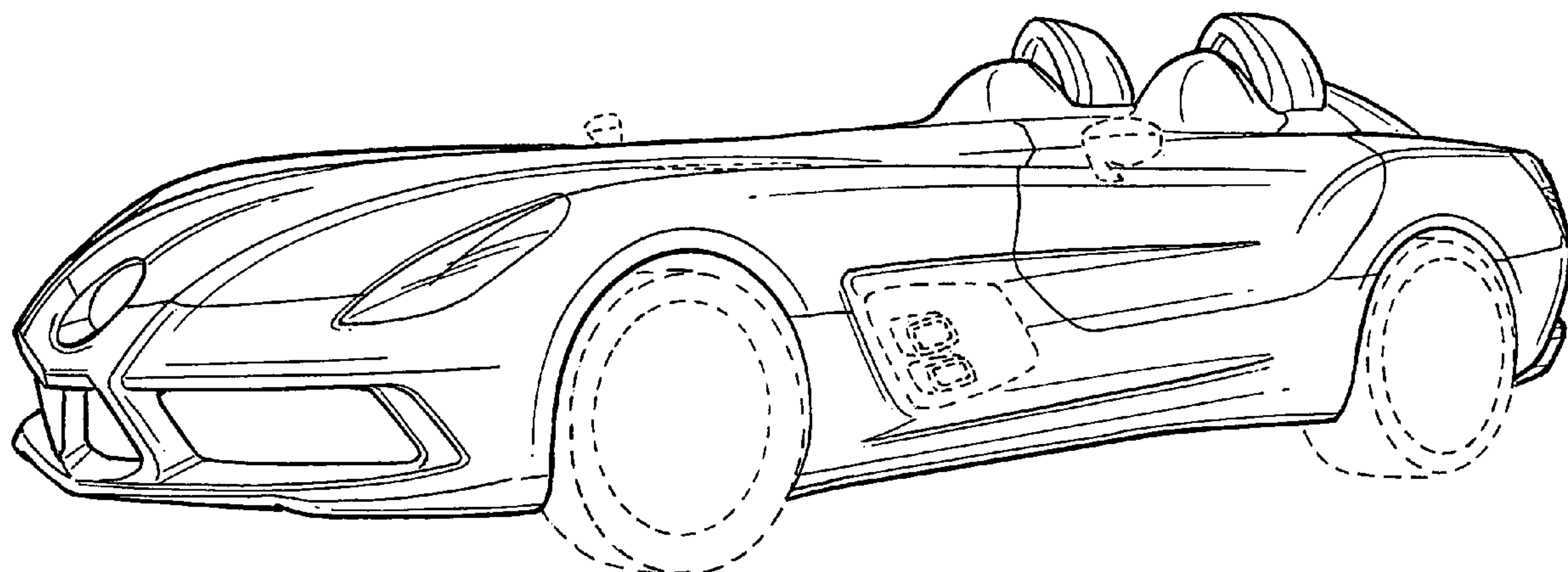
FIG. 16 is a front view of FIG. 13;

FIG. 17 is a rear view of FIG. 13; and,

FIG. 18 is a top view of FIG. 13.

The broken lines are for illustrative purposes only and form no part of the claimed design.

1 Claim, 15 Drawing Sheets



US D608,696 S

Page 2

U.S. PATENT DOCUMENTS

D419,489 S *	1/2000	Sacco et al.	D12/92	D439,551 S *	3/2001	Hatt et al.	D12/92
D423,989 S *	5/2000	Lawson	D12/92	D451,845 S *	12/2001	Hull	D12/92
D434,699 S *	12/2000	Pfeiffer	D12/92	D455,984 S *	4/2002	Boulay et al.	D12/92
				D458,872 S *	6/2002	Ramaciotti	D12/92

* cited by examiner

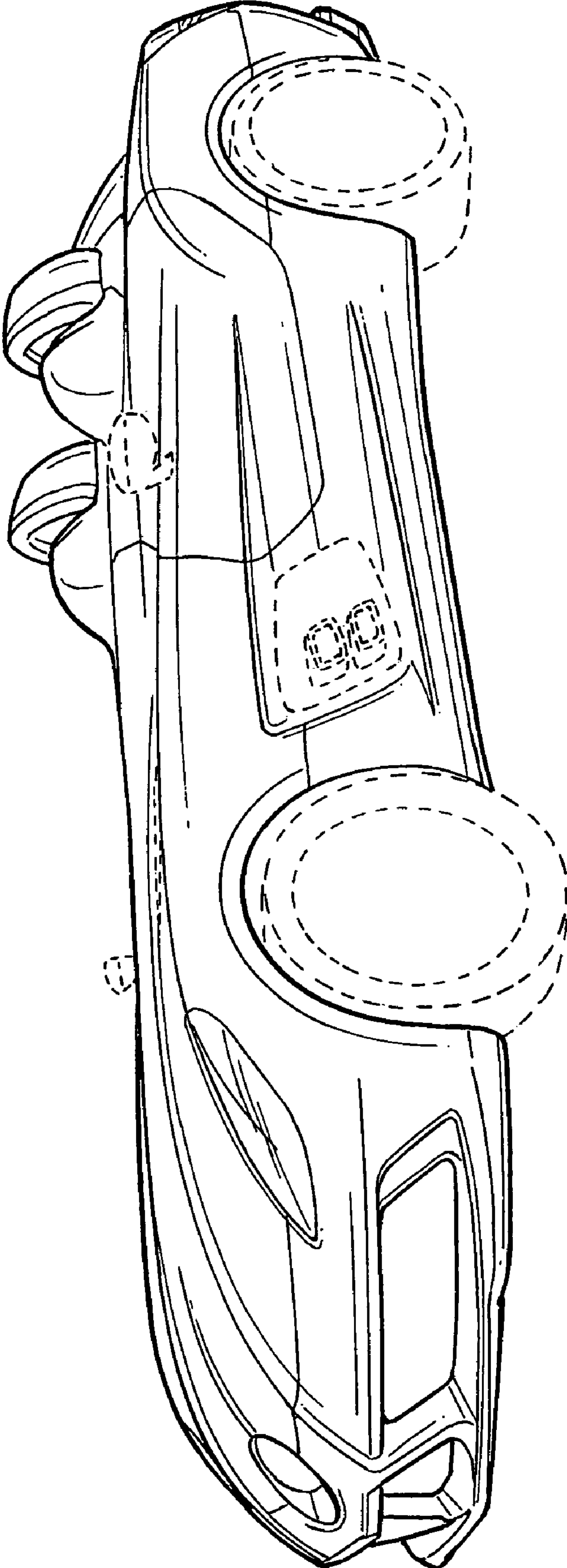


FIG. 1

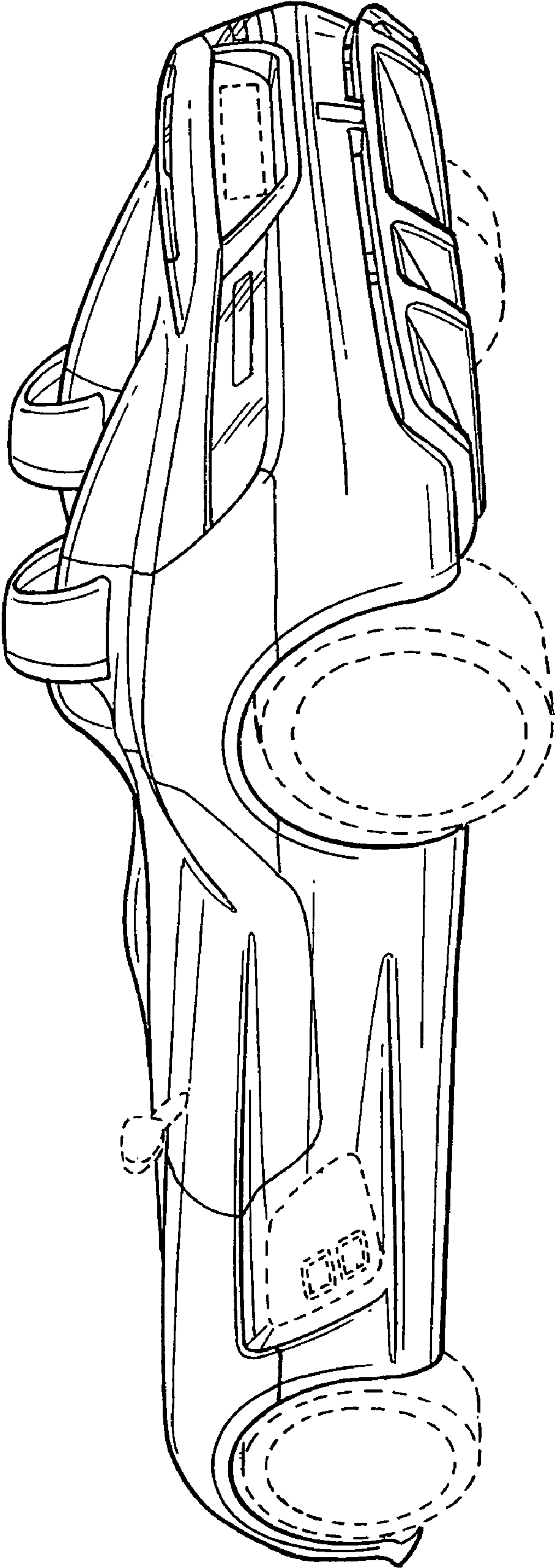


FIG. 2

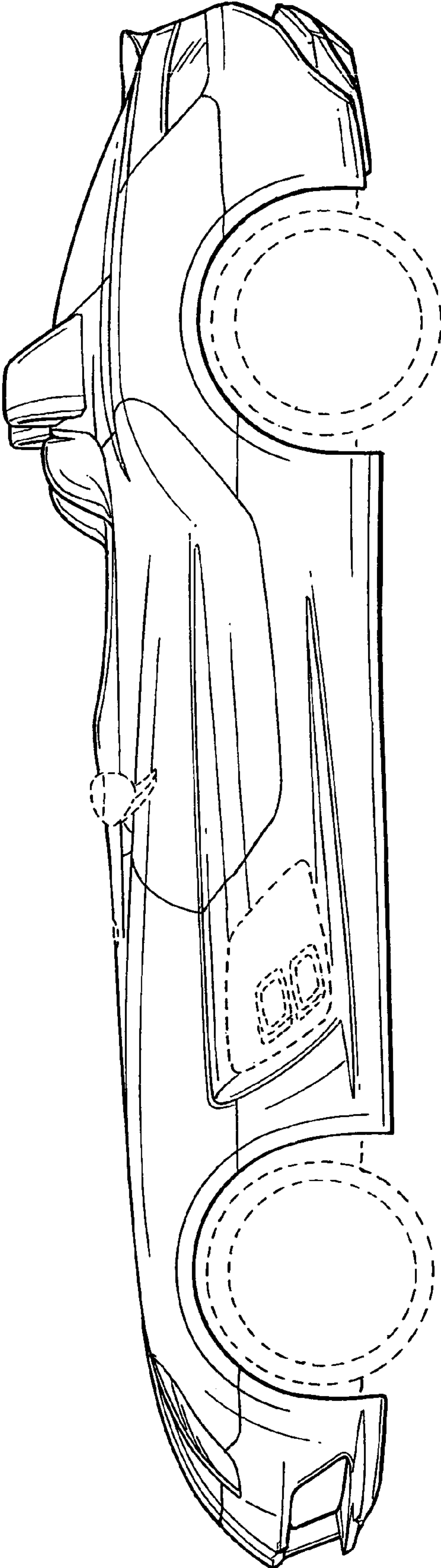


FIG. 3

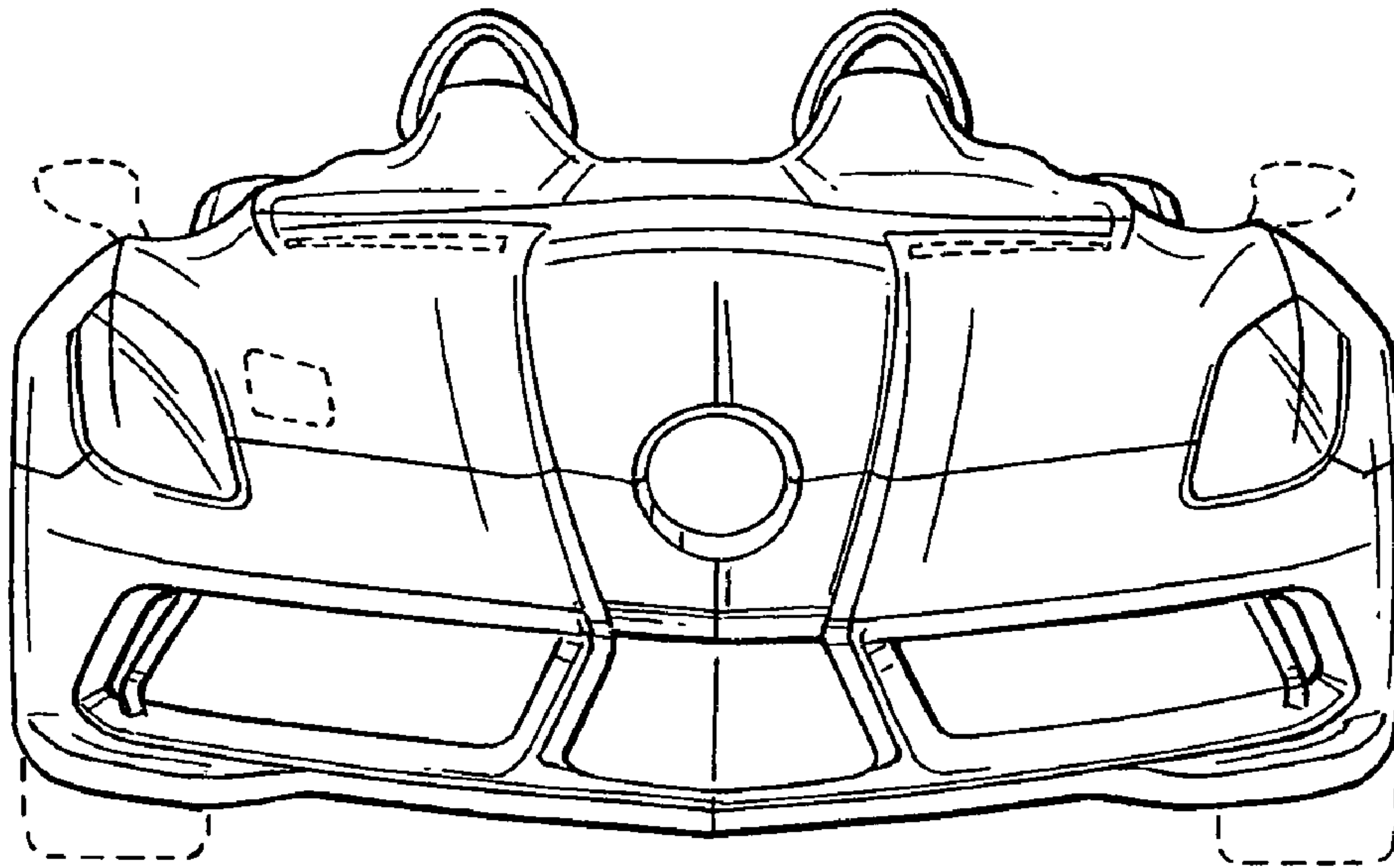


FIG. 4

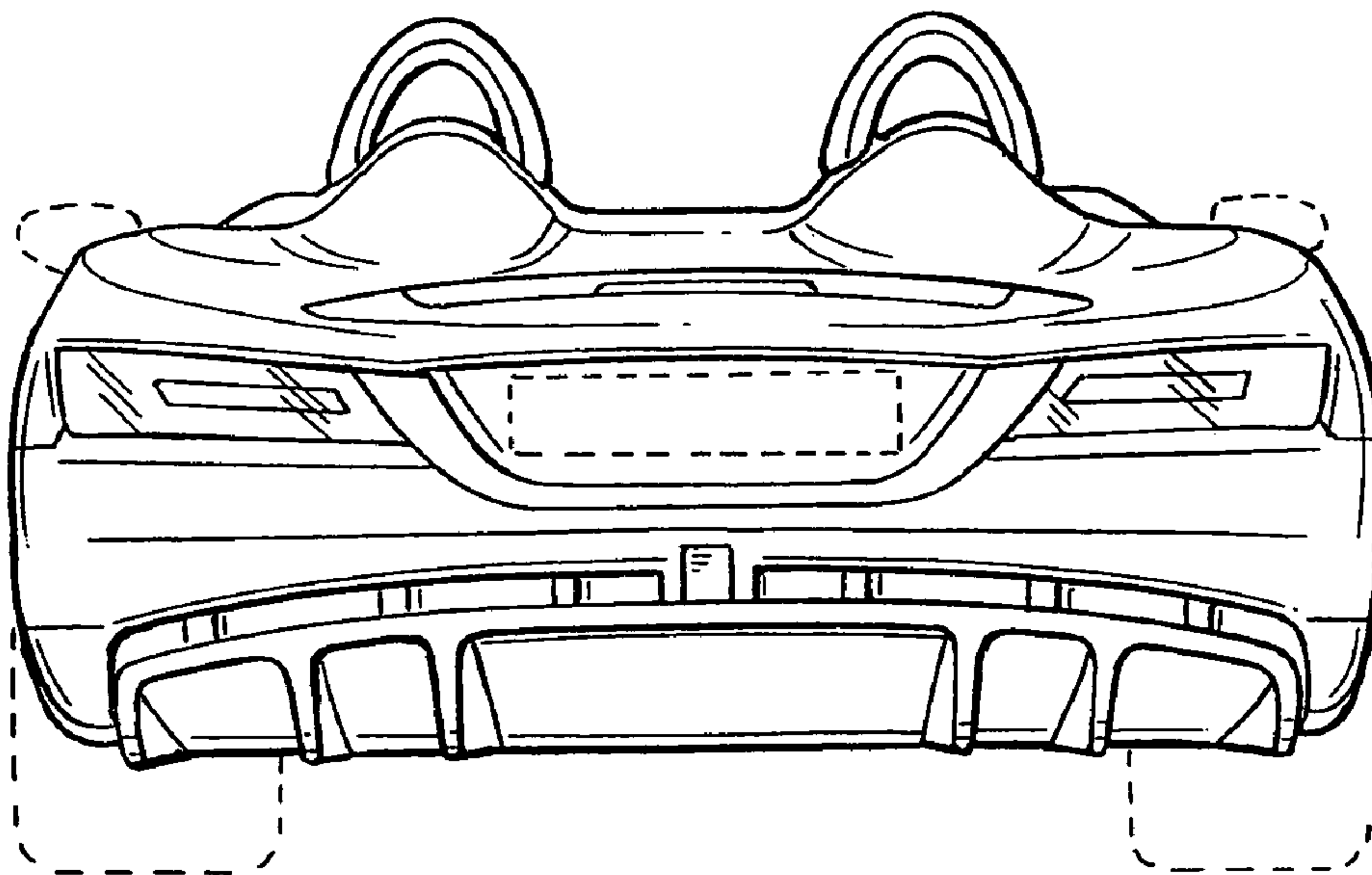


FIG. 5

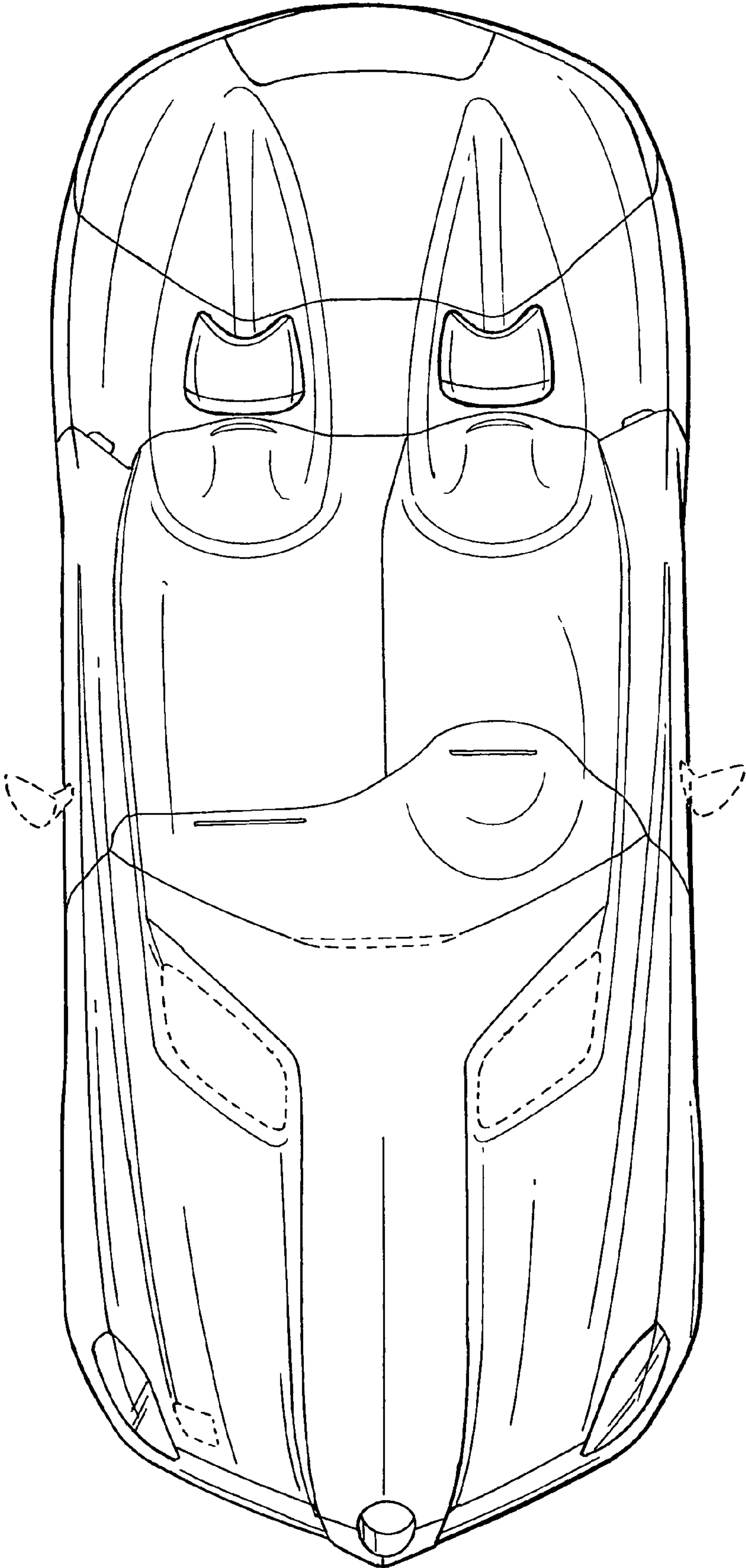


FIG. 6

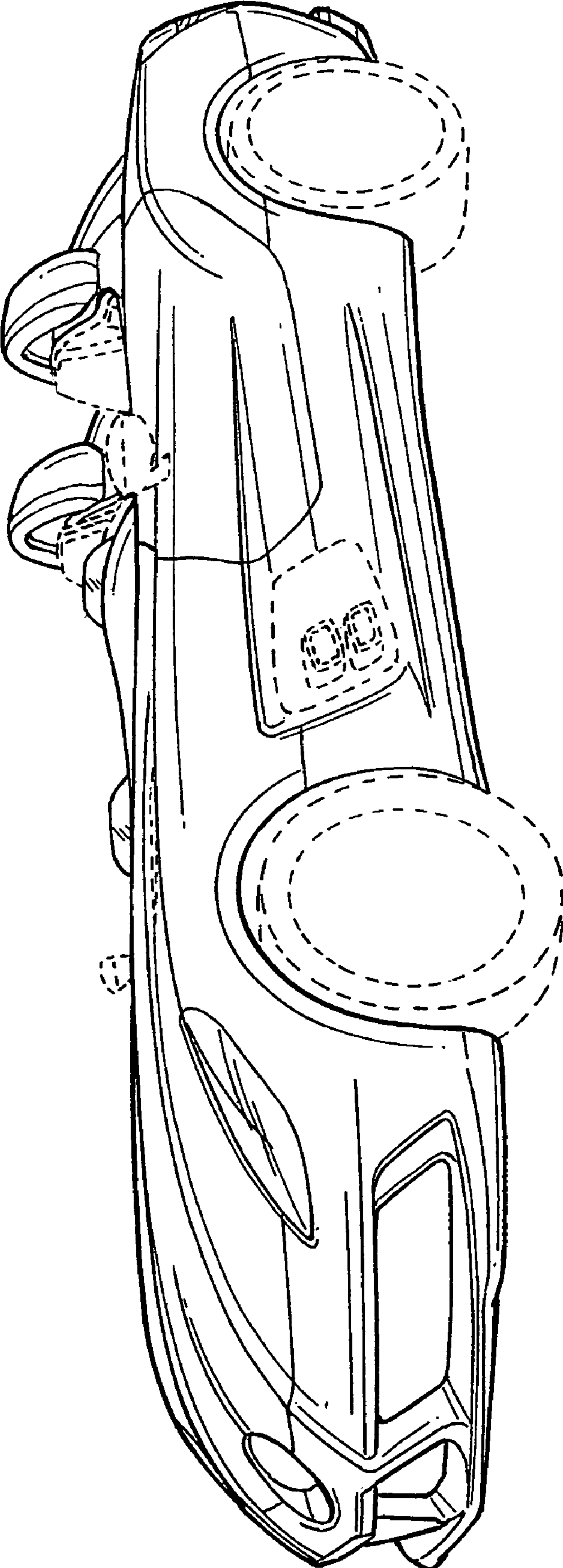


FIG. 7

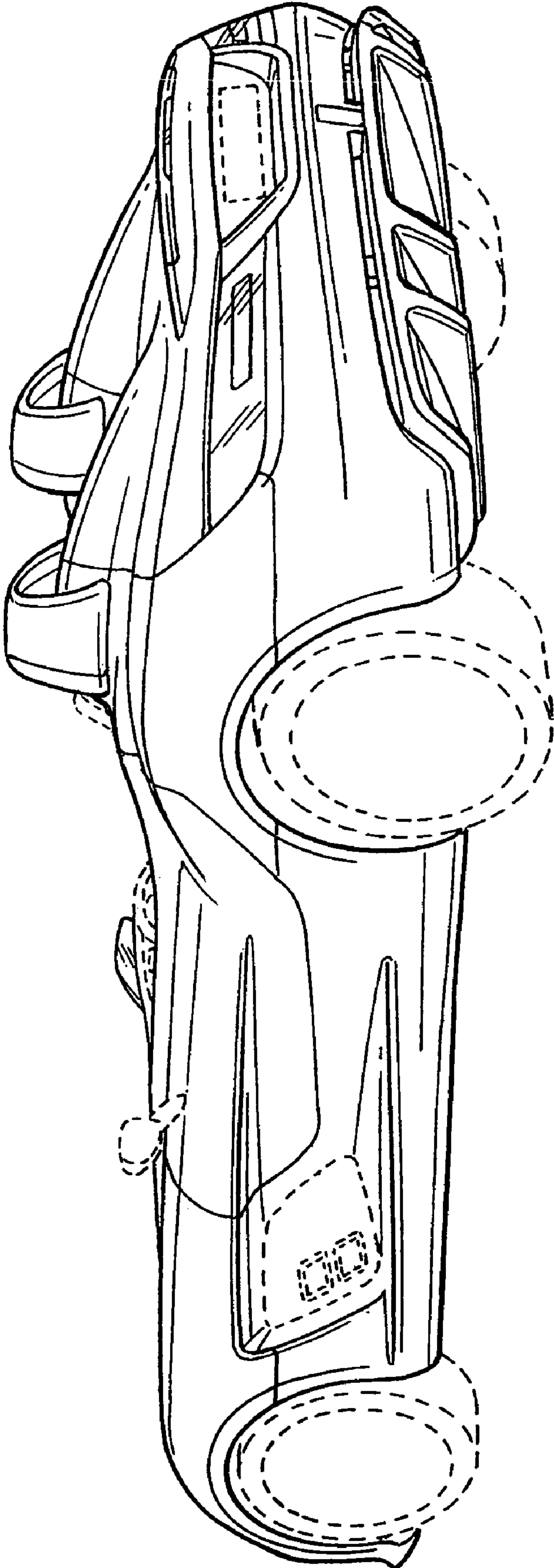


FIG. 8

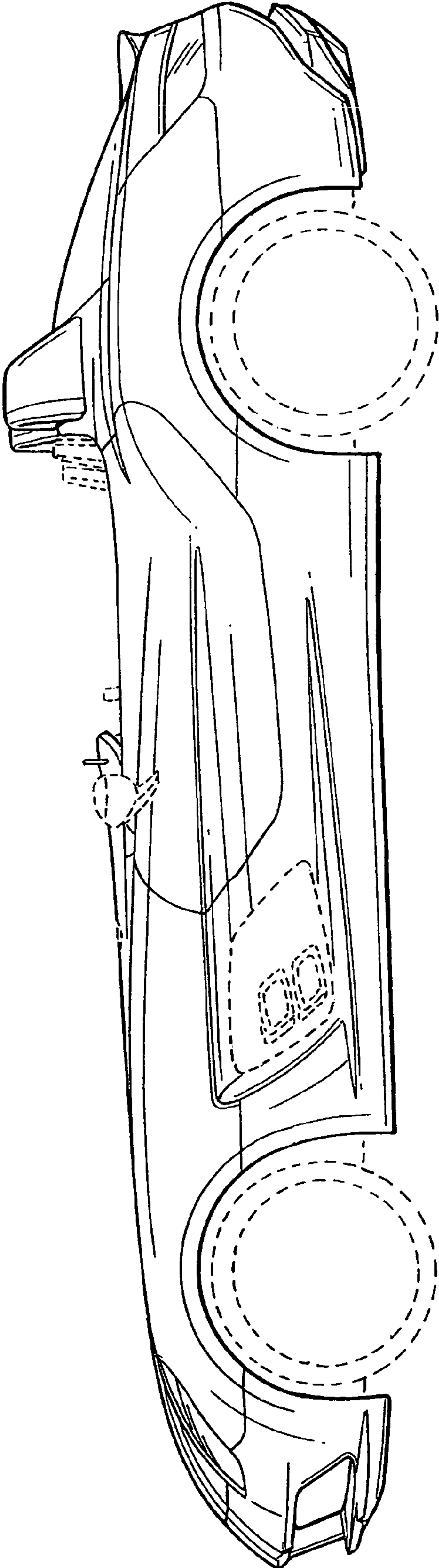


FIG. 9

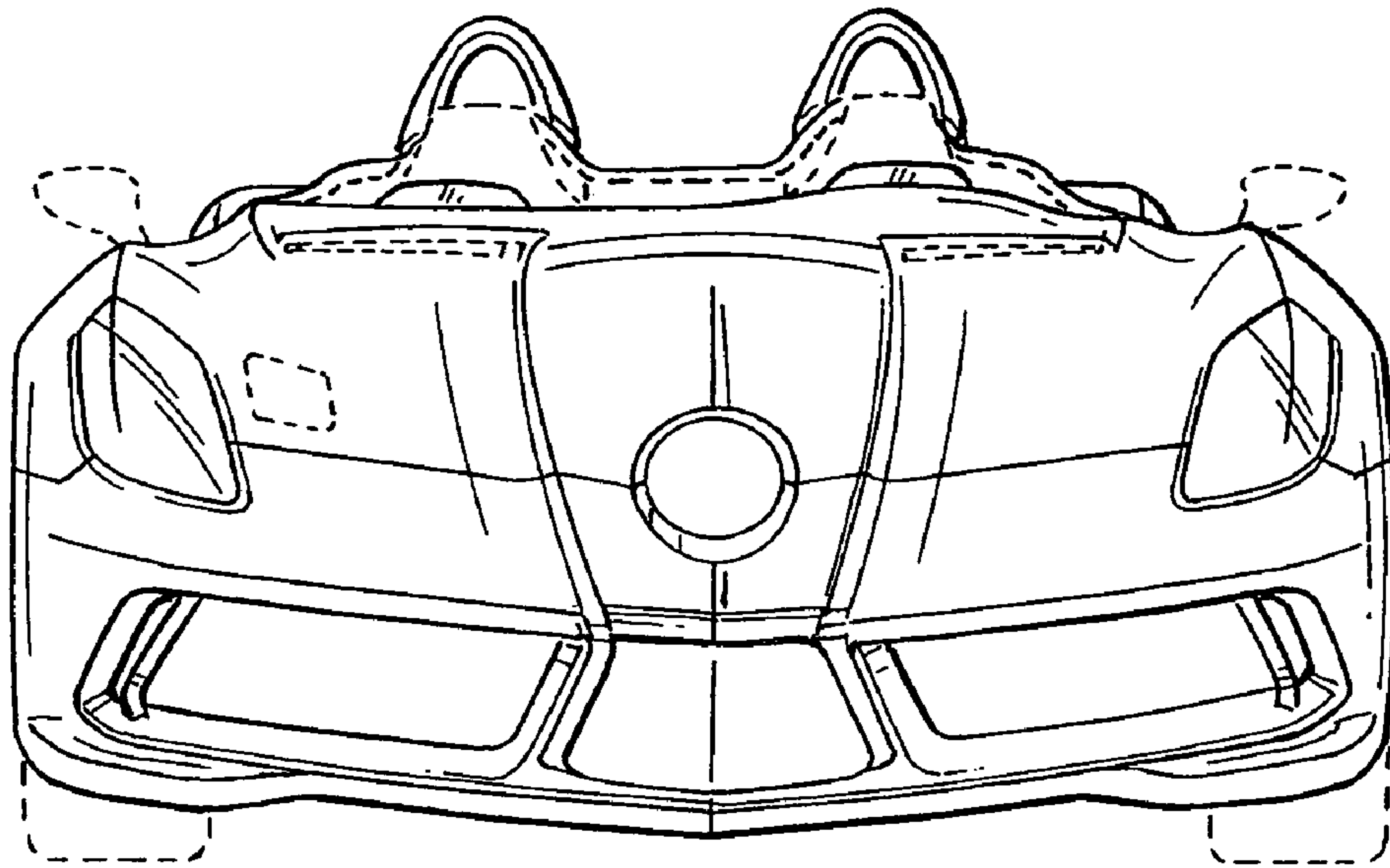


FIG. 10

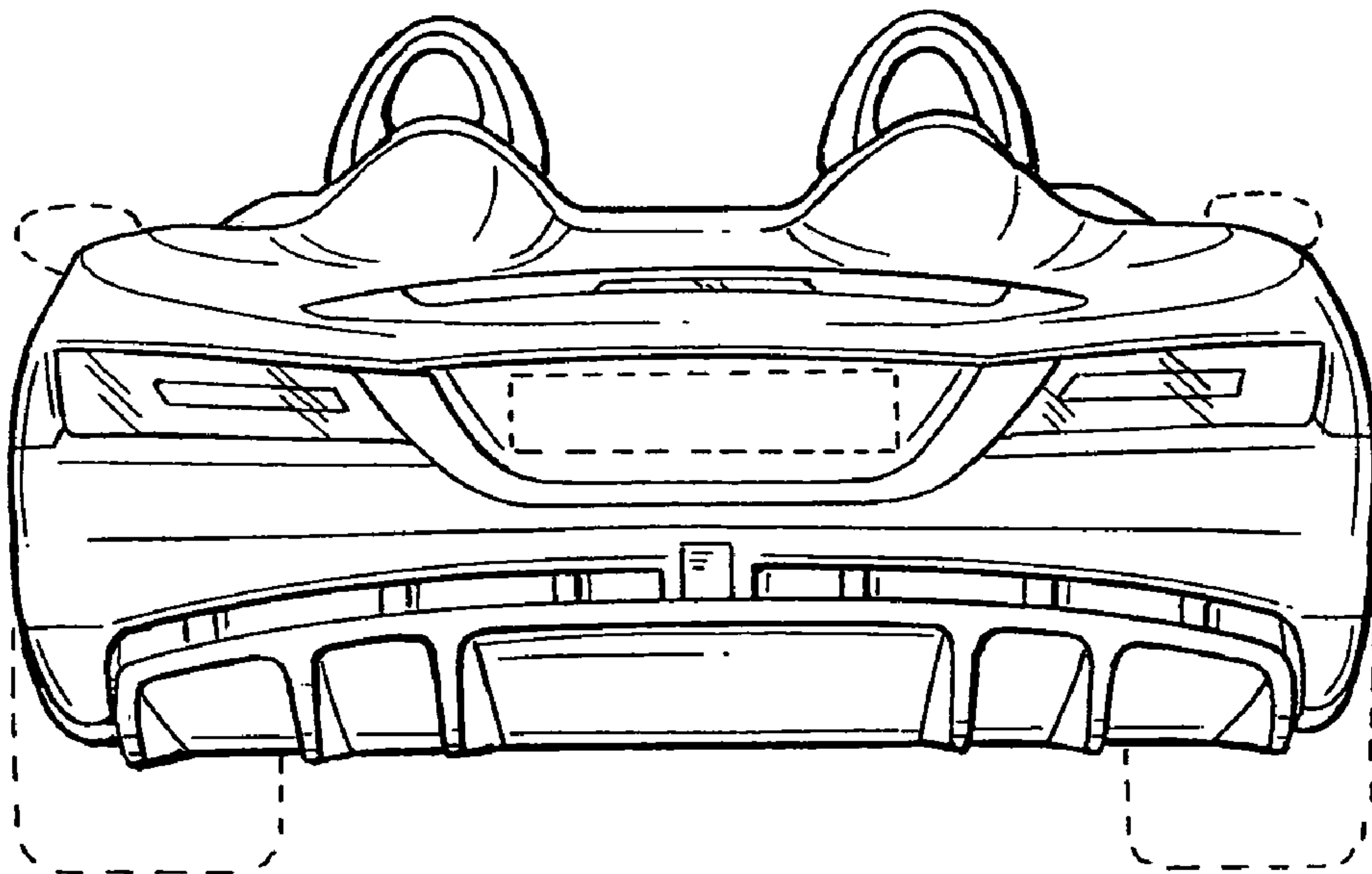


FIG. 11

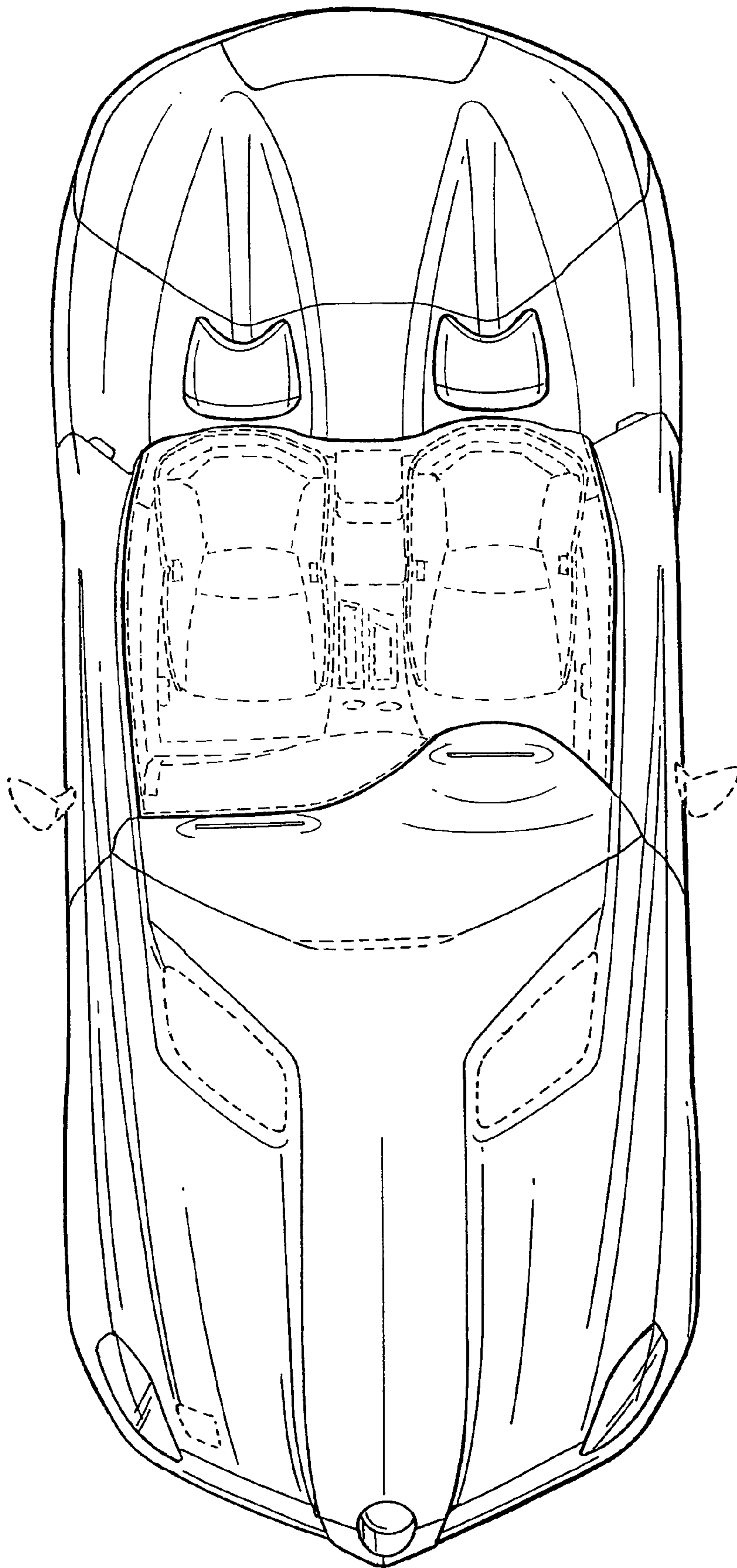


FIG. 12

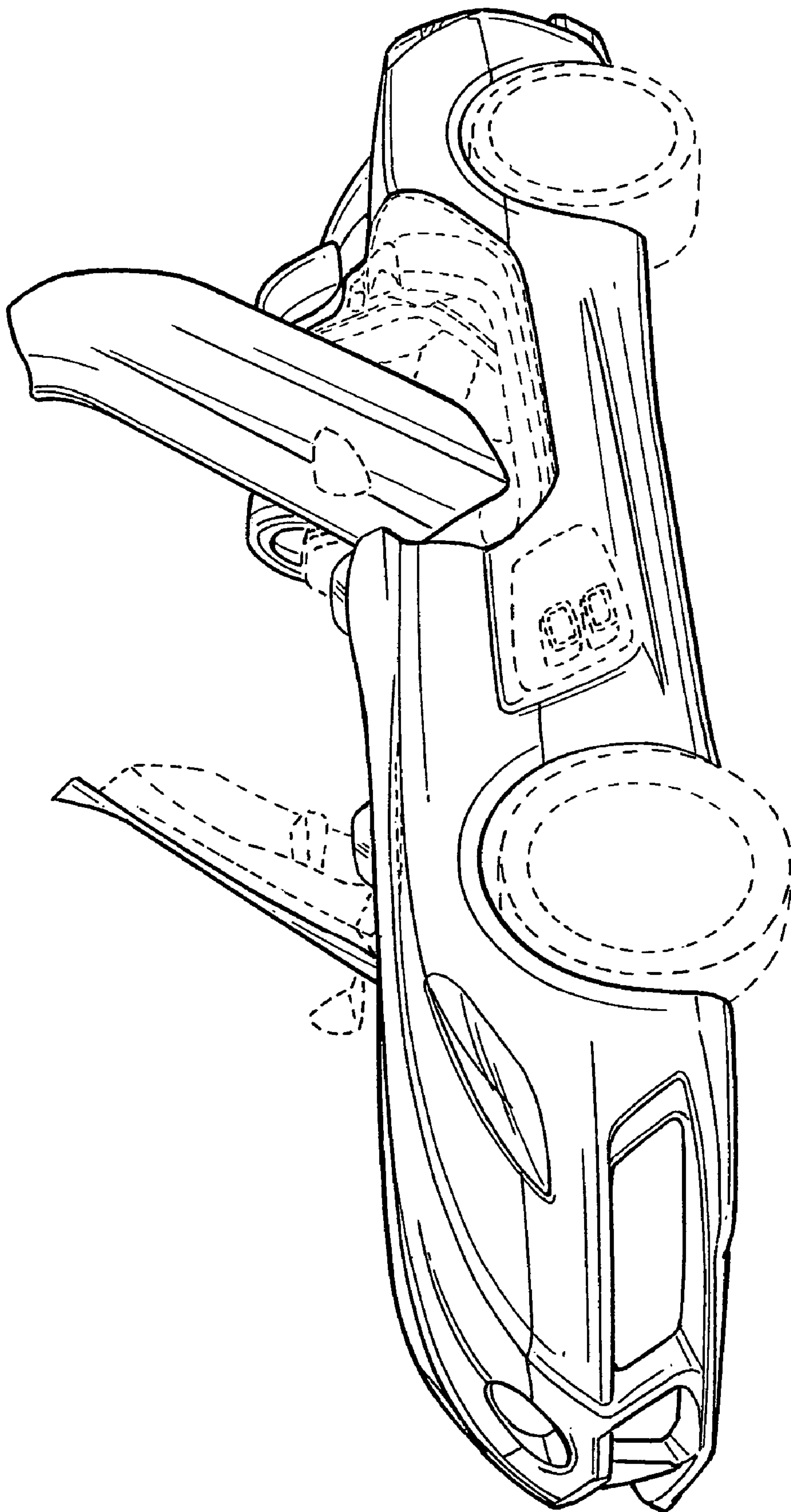


FIG. 13

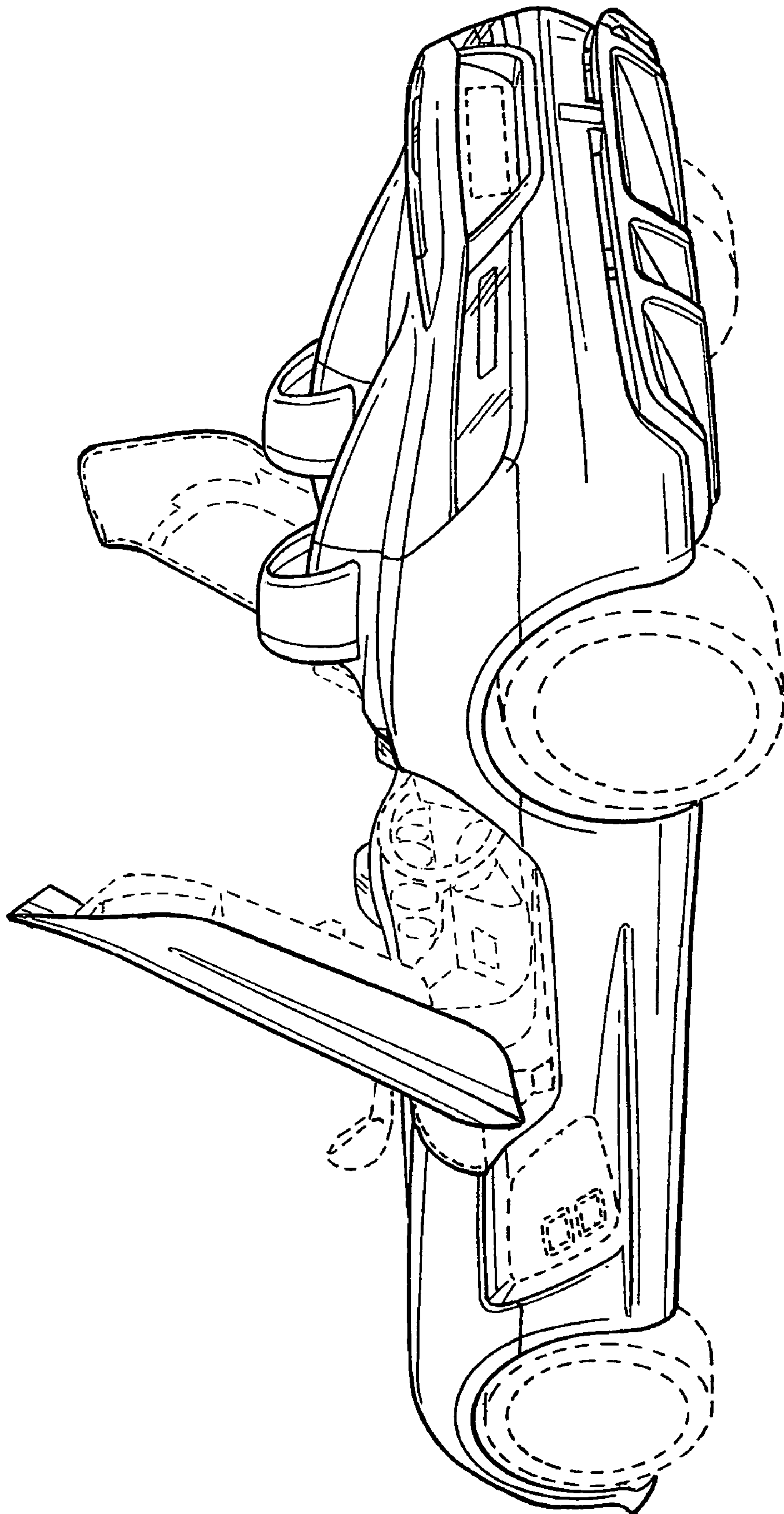


FIG. 14

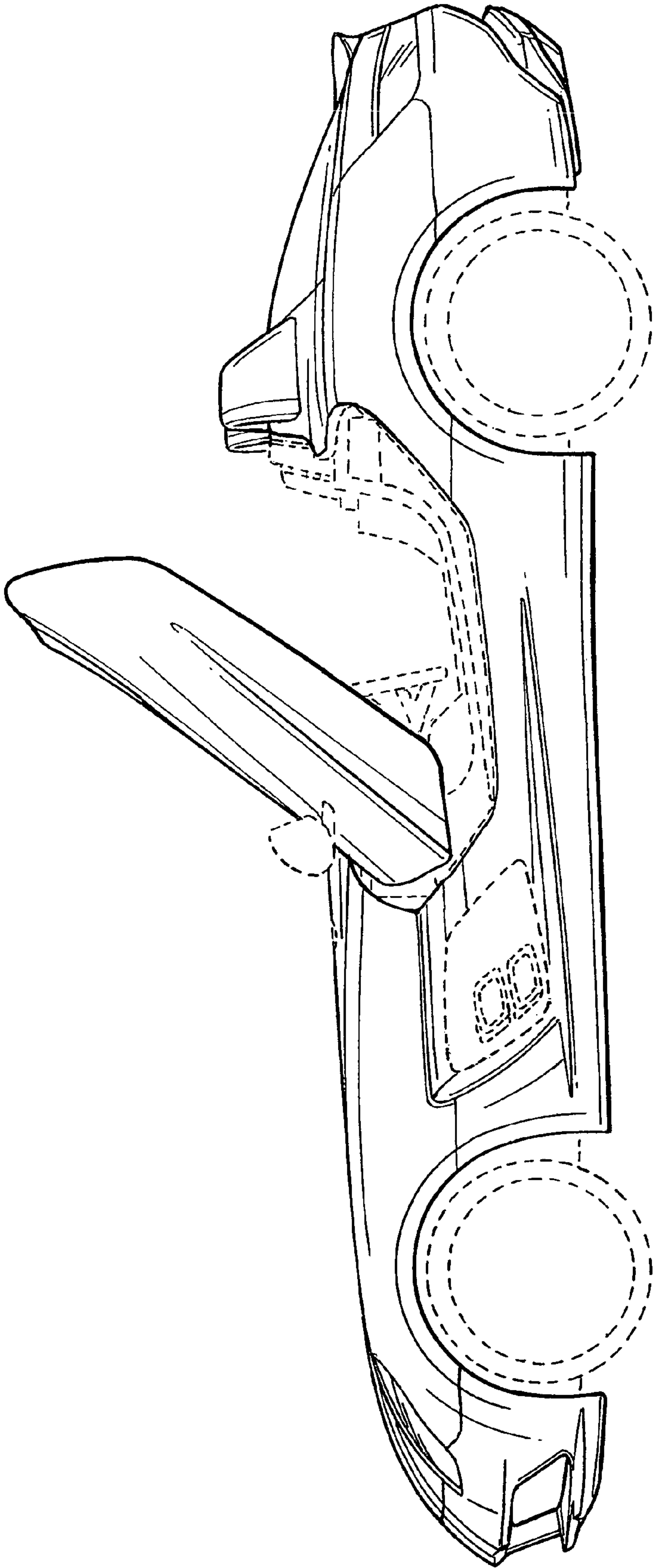


FIG. 15

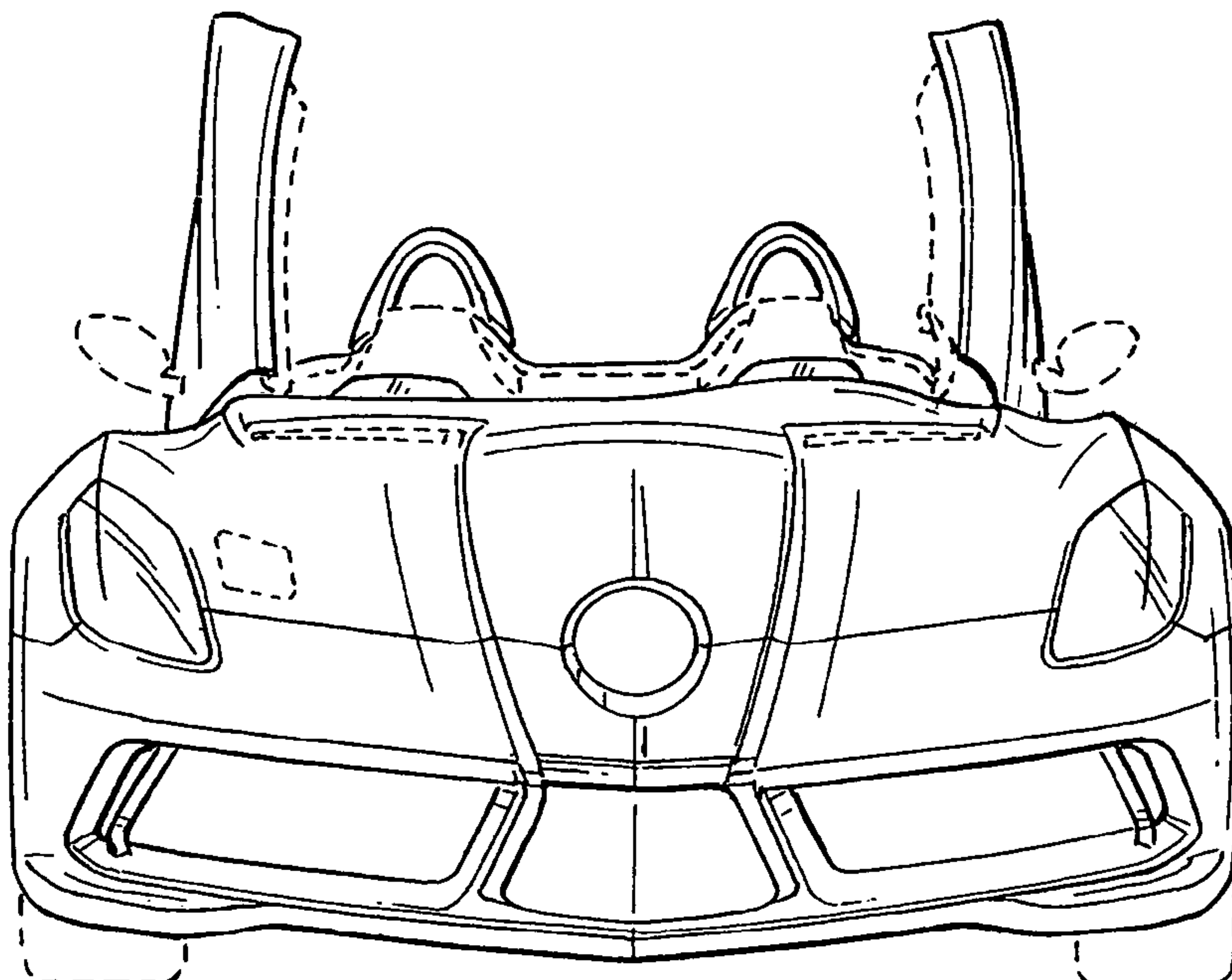


FIG. 16

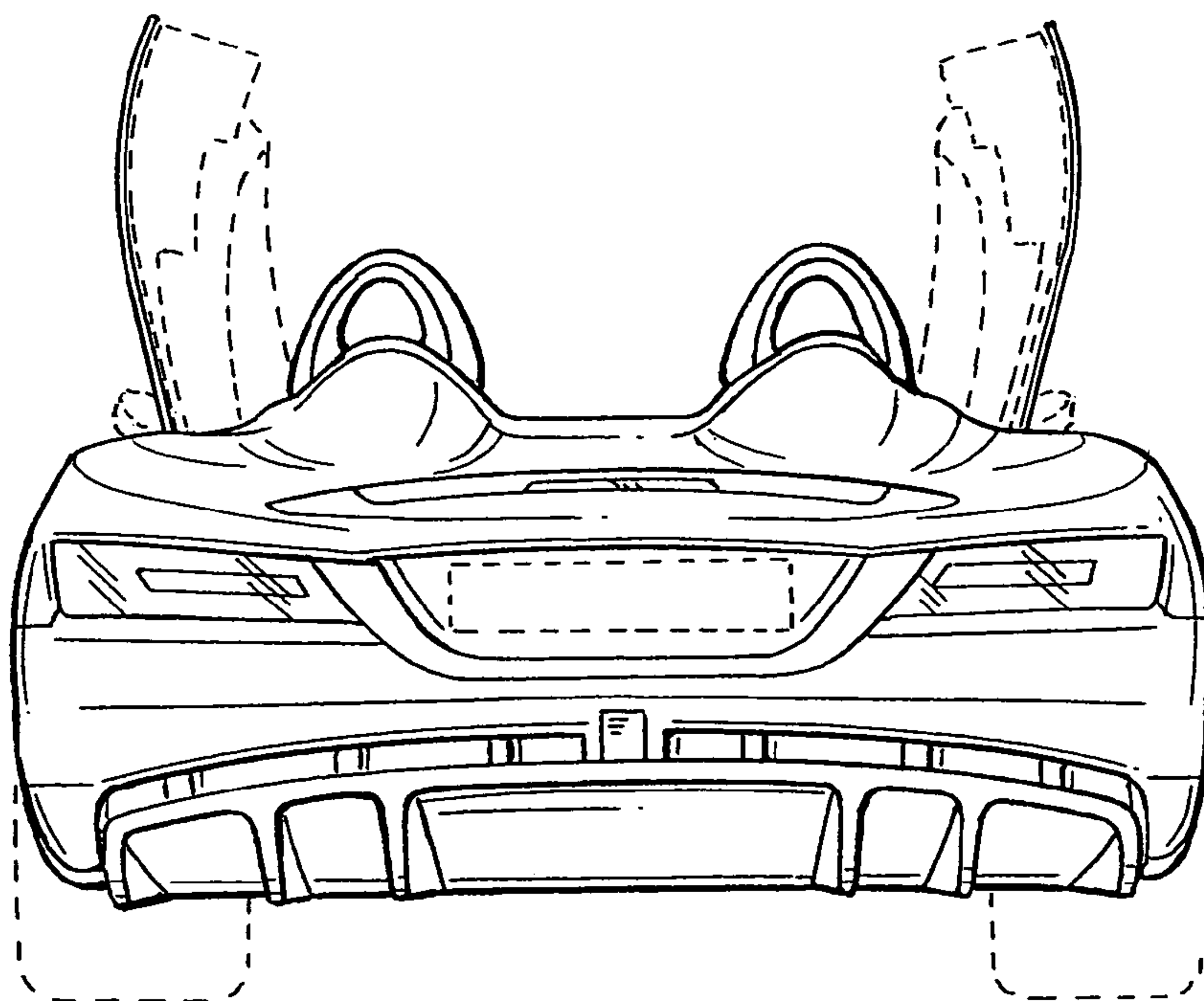


FIG. 17

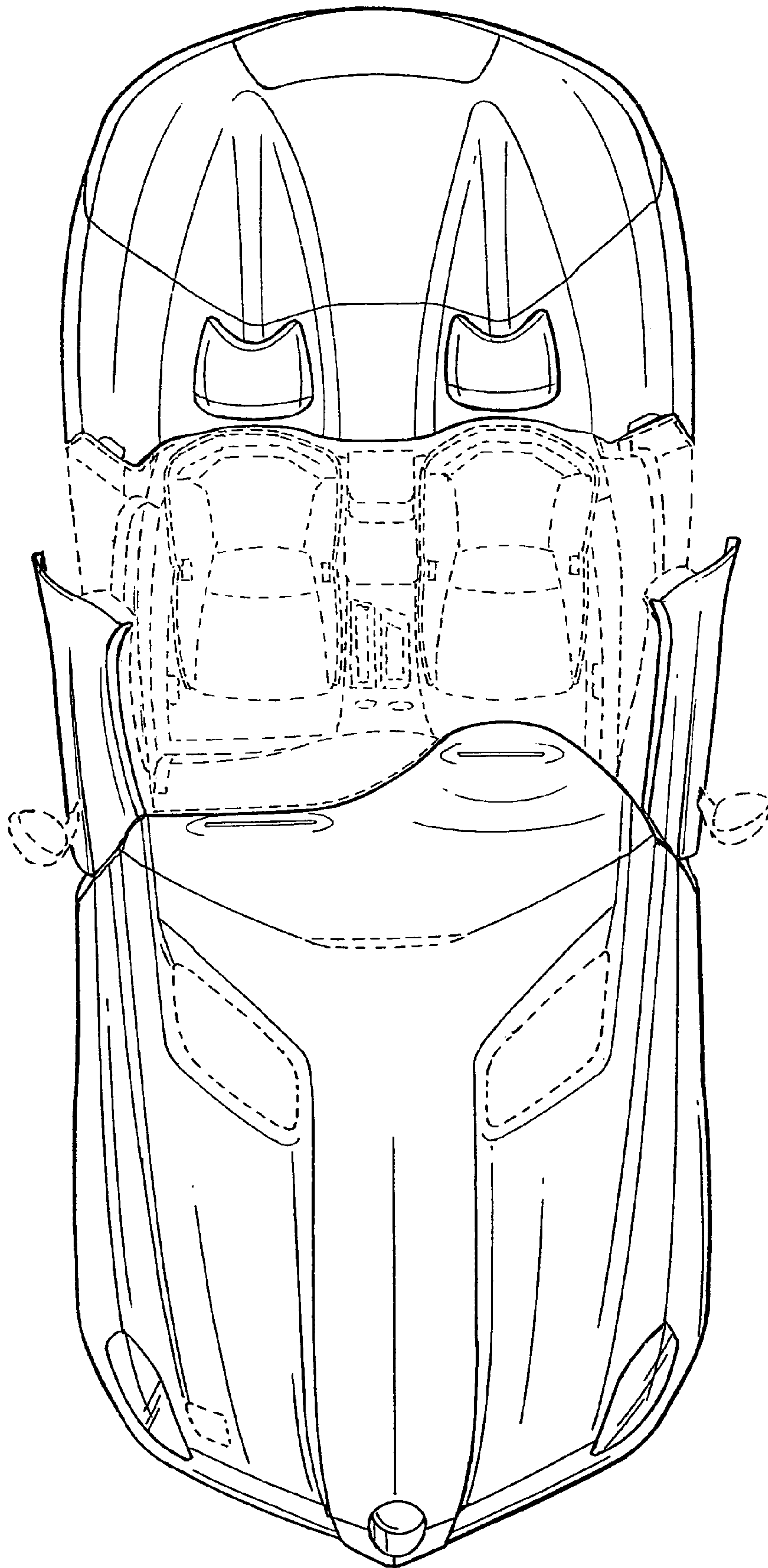


FIG. 18