



US00D608693S

(12) **United States Design Patent**
Hammoud et al.

(10) **Patent No.:** **US D608,693 S**
(45) **Date of Patent:** **** Jan. 26, 2010**

(54) **AUTOMOBILE BODY**

(75) Inventors: **Mohamad J. Hammoud**, Lake Orion, MI (US); **Mark T. Allen**, Oxford, MI (US); **Don Renkert**, Royal Oak, MI (US)

(73) Assignee: **Chrysler Group LLC**, Auburn Hills, MI (US)

(**) Term: **14 Years**

(21) Appl. No.: **29/334,809**

(22) Filed: **Apr. 2, 2009**

(51) **LOC (9) Cl.** **12-08**

(52) **U.S. Cl.** **D12/91**

(58) **Field of Classification Search** D12/86,
D12/90-92; D21/424, 433, 434; 296/181.1,
296/181.5

See application file for complete search history.

(56) **References Cited**

U.S. PATENT DOCUMENTS

D350,504 S 9/1994 Nixon
D420,939 S 2/2000 Faurote et al.
D500,460 S 1/2005 Allen et al.

D574,298 S * 8/2008 Opfer et al. D12/91
D586,697 S * 2/2009 Nagode et al. D12/91
D589,401 S * 3/2009 Yokoi et al. D12/91

* cited by examiner

Primary Examiner—Melody N Brown

(74) *Attorney, Agent, or Firm*—Ralph L. Smith

(57) **CLAIM**

The ornamental design for an automobile body, as shown and described.

DESCRIPTION

FIG. 1 is a front perspective view of an automobile body showing our new design;

FIG. 2 is a side view thereof;

FIG. 3 is a front view thereof;

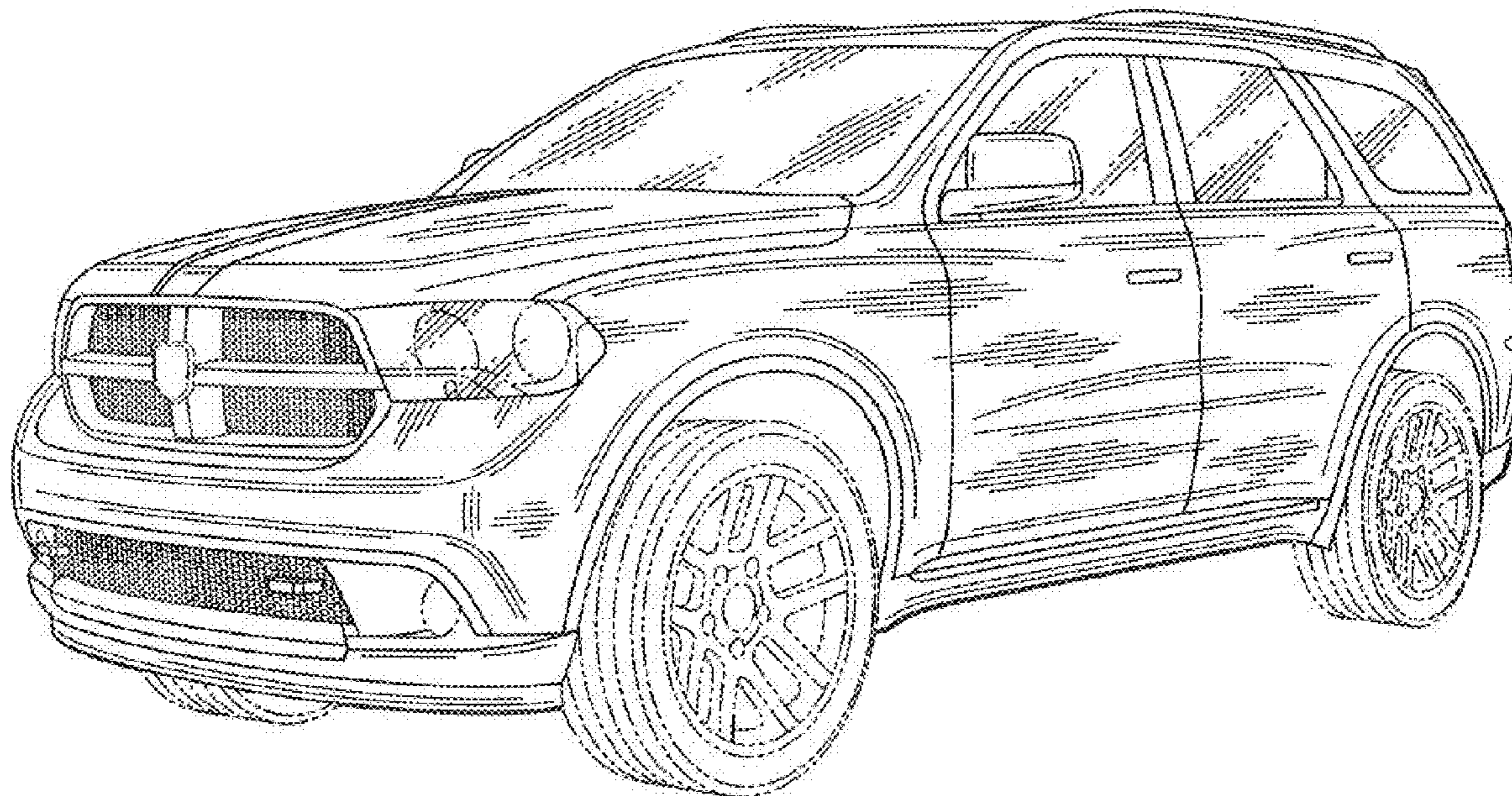
FIG. 4 is a rear view thereof;

FIG. 5 is a rear perspective view thereof; and,

FIG. 6 is a top plan view thereof.

It will be understood that the broken lines presented in the drawings are for illustration only, and do not form a part of the claimed design.

1 Claim, 5 Drawing Sheets



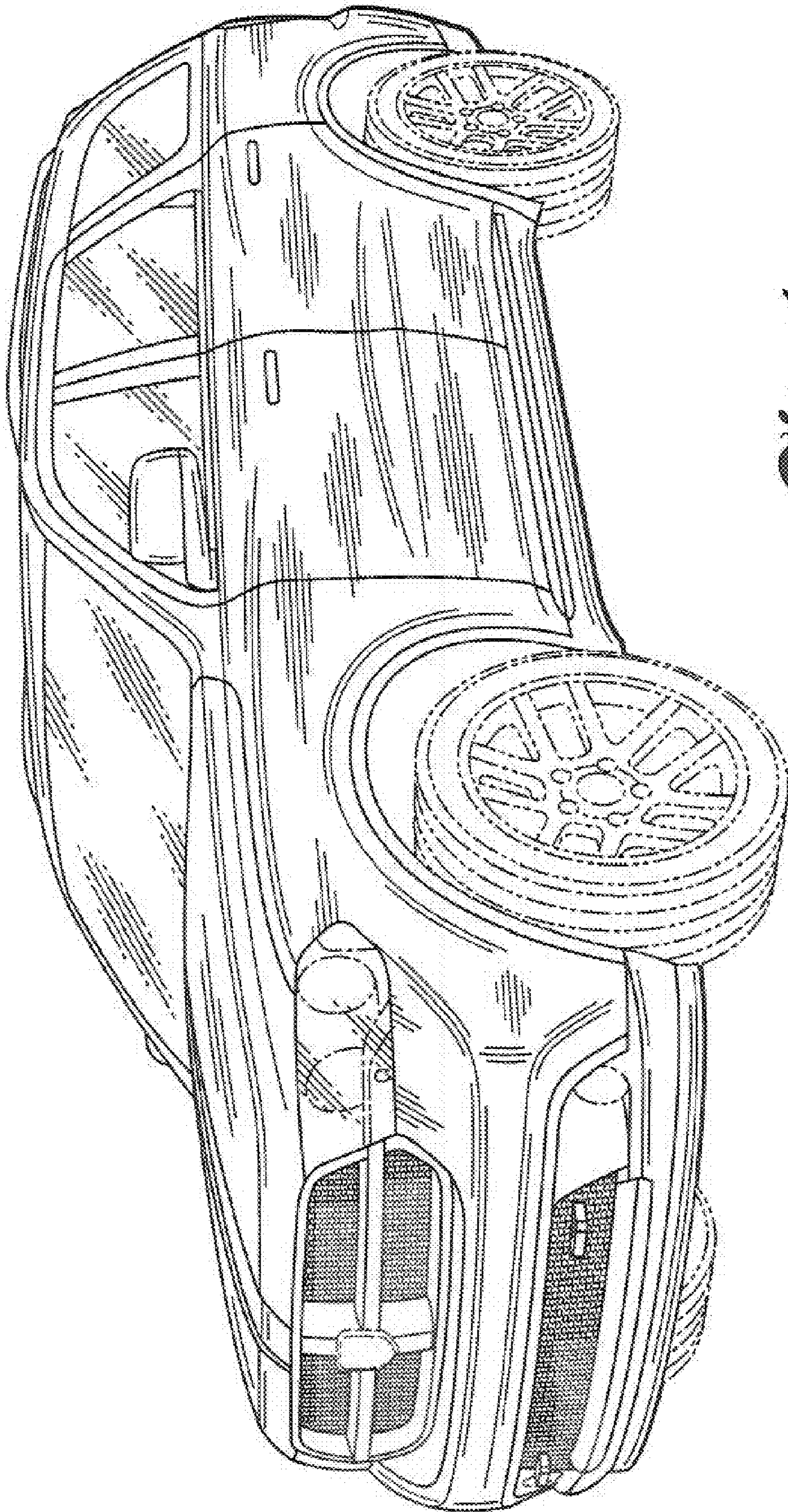


Fig. 1

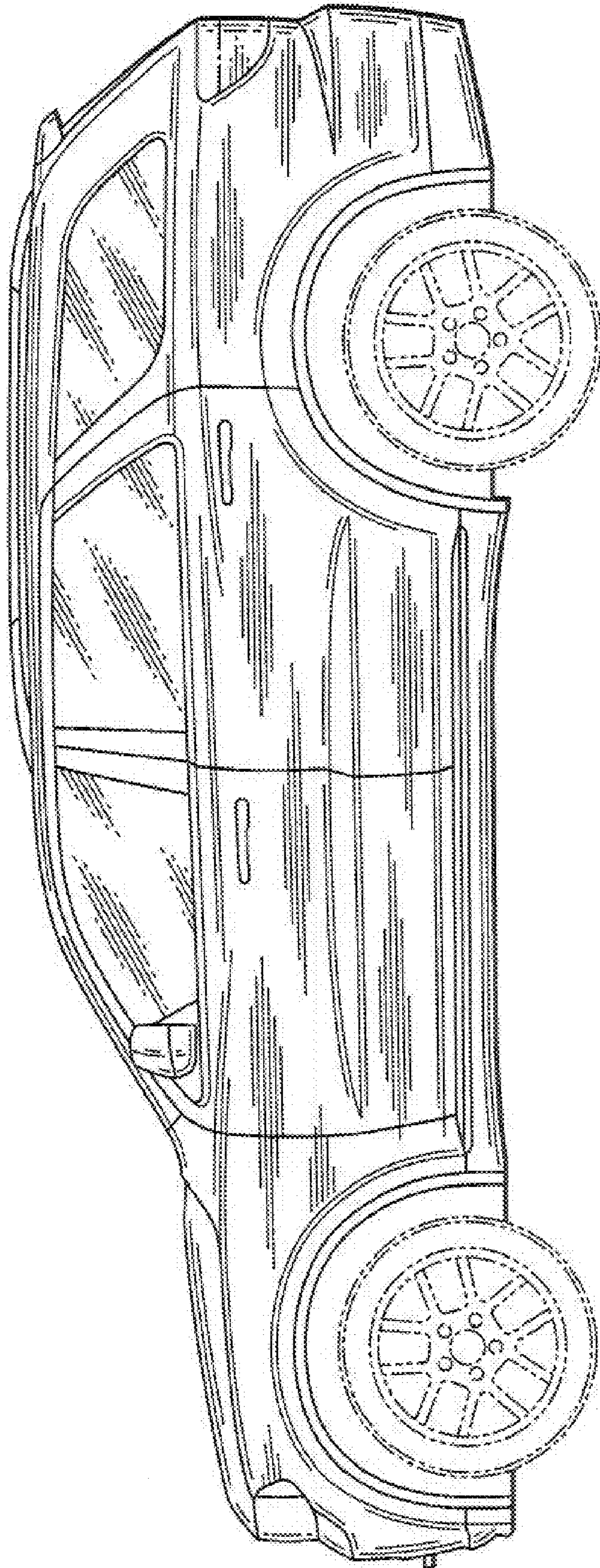


Fig. 2

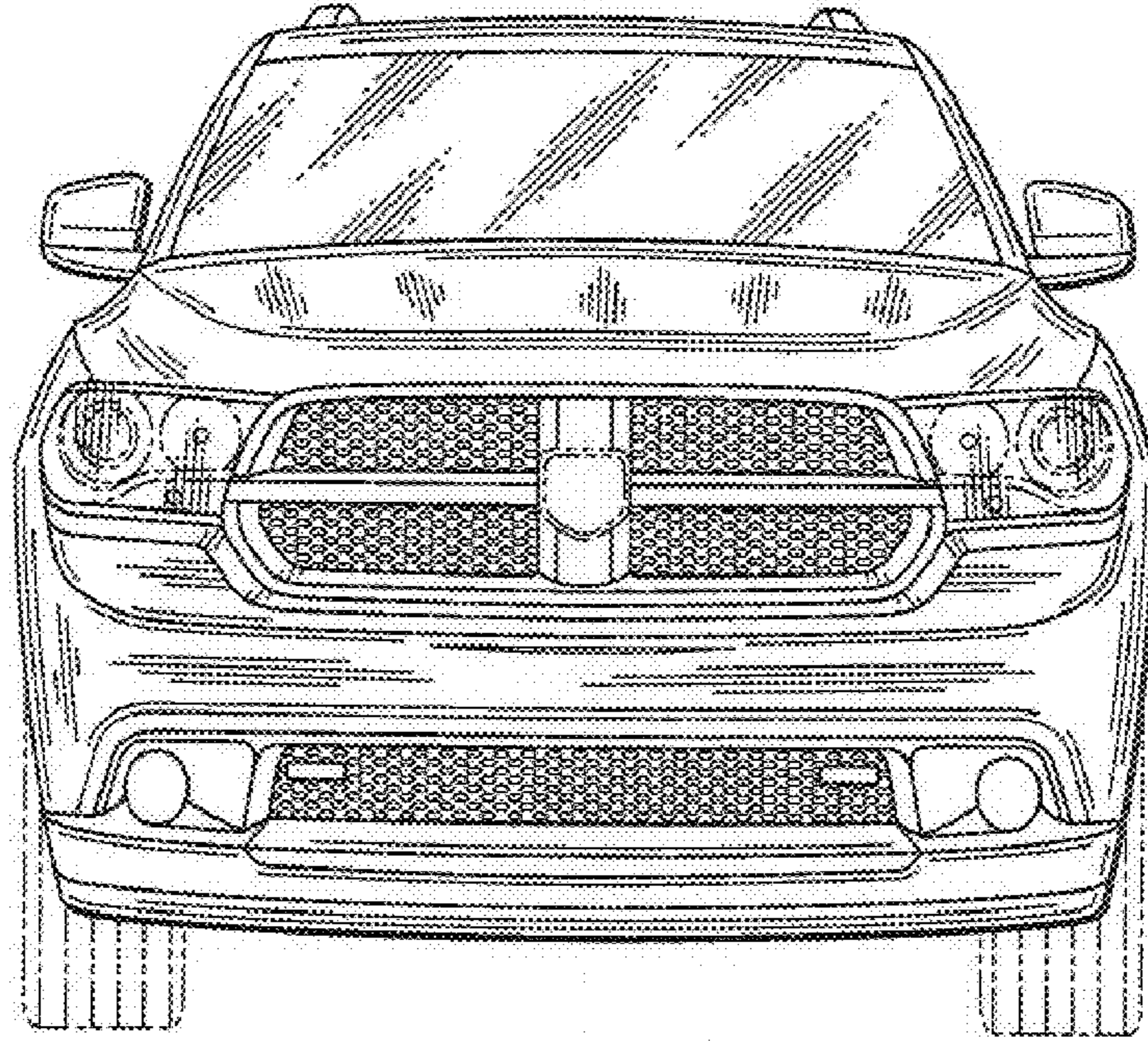


Fig. 3

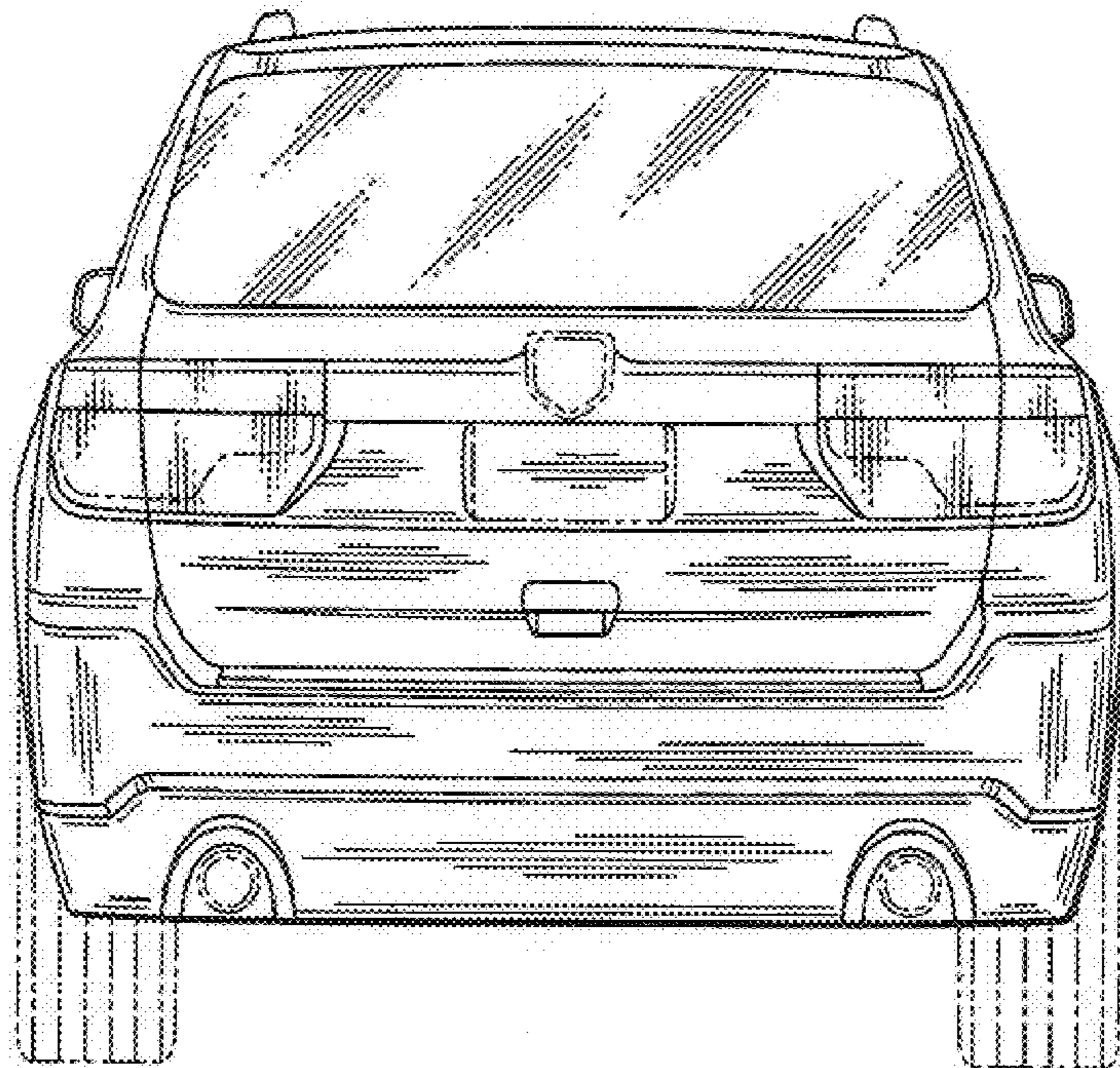


Fig. 4

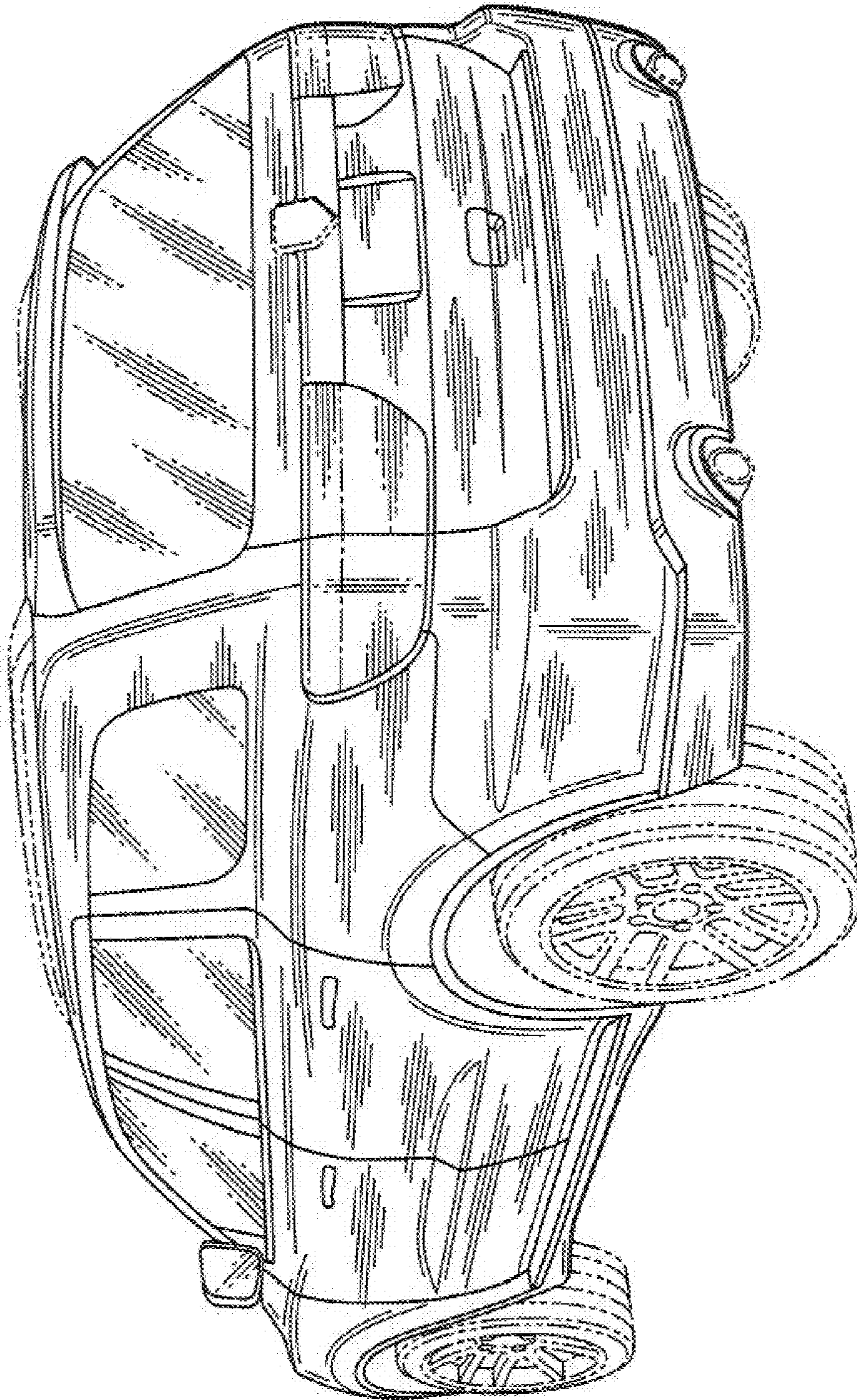


Fig. 5

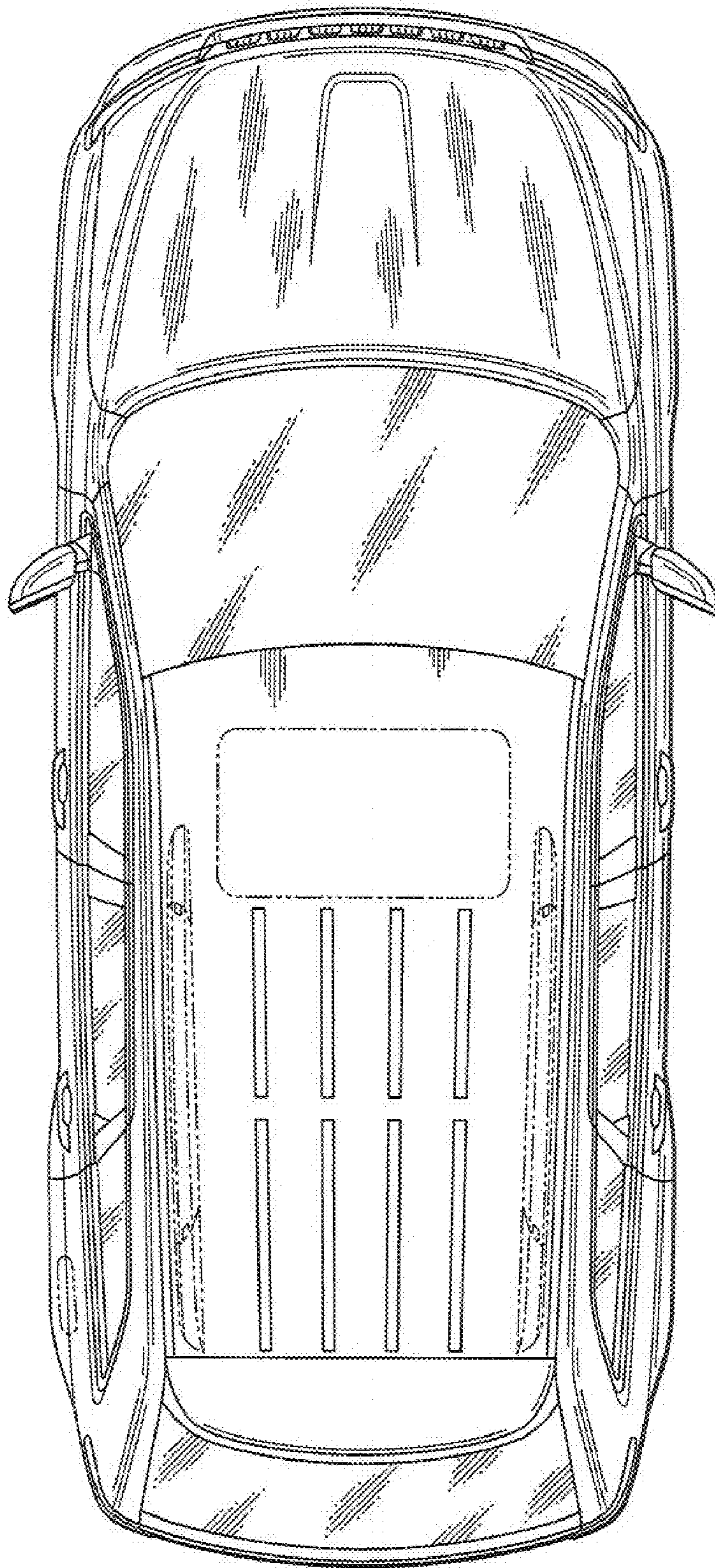


Fig. 6