



US00D608688S

(12) **United States Design Patent**  
**Dalzell et al.**

(10) **Patent No.:** **US D608,688 S**

(45) **Date of Patent:** **\*\* Jan. 26, 2010**

(54) **SNAP BUCKLE**

(75) Inventors: **Jeffrey S. Dalzell**, Pierrefonds (CA);  
**Shih-Sheng Yang**, Taipei Hsien (TW)

(73) Assignee: **Xenith, LLC**, Lowell, MA (US)

(\*\*) Term: **14 Years**

(21) Appl. No.: **29/333,088**

(22) Filed: **Mar. 3, 2009**

(51) **LOC (9) Cl.** ..... **02-07**

(52) **U.S. Cl.** ..... **D11/218; D11/200**

(58) **Field of Classification Search** ..... D11/200,  
D11/212, 216, 218, 220, 231, 303; D8/331,  
D8/382; D2/625; 2/139, 156, 268, 323,  
2/336; 292/251.5; 63/29.2; 450/86; 24/186,  
24/198, 303, 688

See application file for complete search history.

(56) **References Cited**

**U.S. PATENT DOCUMENTS**

341,127	A *	5/1886	Bretzfield	.....	24/198
871,981	A *	11/1907	Blum	.....	24/198
979,947	A *	12/1910	Hayden et al.	.....	2/332
D41,814	S *	10/1911	Smith	.....	D11/216
1,013,985	A *	1/1912	Brown	.....	24/186
1,049,757	A *	1/1913	Negraval	.....	24/198
1,147,955	A *	7/1915	Langhammer	.....	24/198
1,299,734	A *	4/1919	Kerngood	.....	24/186
1,420,588	A *	6/1922	Tabler	.....	24/198
1,734,048	A *	11/1929	Reiter	.....	24/324
1,889,322	A *	11/1932	Reiter	.....	24/324
2,084,412	A *	6/1937	Schaefer	.....	24/186
2,615,223	A *	10/1952	Bedford, Jr.	.....	24/198
2,653,364	A *	9/1953	Becker	.....	24/324

2,713,708	A *	7/1955	Auderson	.....	24/198
3,237,257	A *	3/1966	Forsberg	.....	24/324
4,437,598	A *	3/1984	Hull	.....	224/163
4,779,314	A *	10/1988	Aoki	.....	24/303
D352,255	S *	11/1994	Prosser	.....	D11/218
D400,429	S *	11/1998	Morita	.....	D8/382
D401,889	S *	12/1998	Wong	.....	D11/220
D431,453	S *	10/2000	Chan	.....	D8/382
D448,703	S *	10/2001	Lam	.....	D11/200
6,497,012	B2 *	12/2002	Ide et al.	.....	24/324
6,532,632	B1 *	3/2003	Halstead	.....	24/309
7,475,453	B2 *	1/2009	Drake et al.	.....	24/324

\* cited by examiner

*Primary Examiner*—Paula Greene

(74) *Attorney, Agent, or Firm*—Cesari and McKenna, LLP

(57) **CLAIM**

The ornamental design of a snap buckle, as shown and described.

**DESCRIPTION**

FIG. 1 is a top plan view of a snap buckle showing our new design;

FIG. 2 is a front elevational view thereof, the back being a mirror image of the front;

FIG. 3 is a bottom plan view thereof;

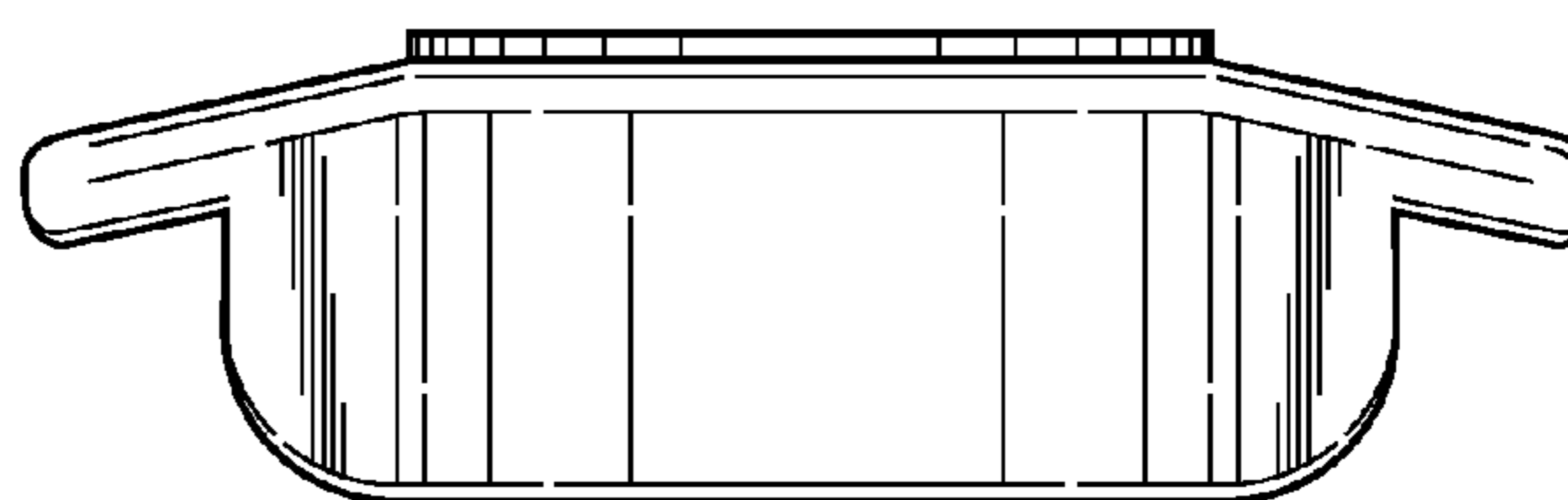
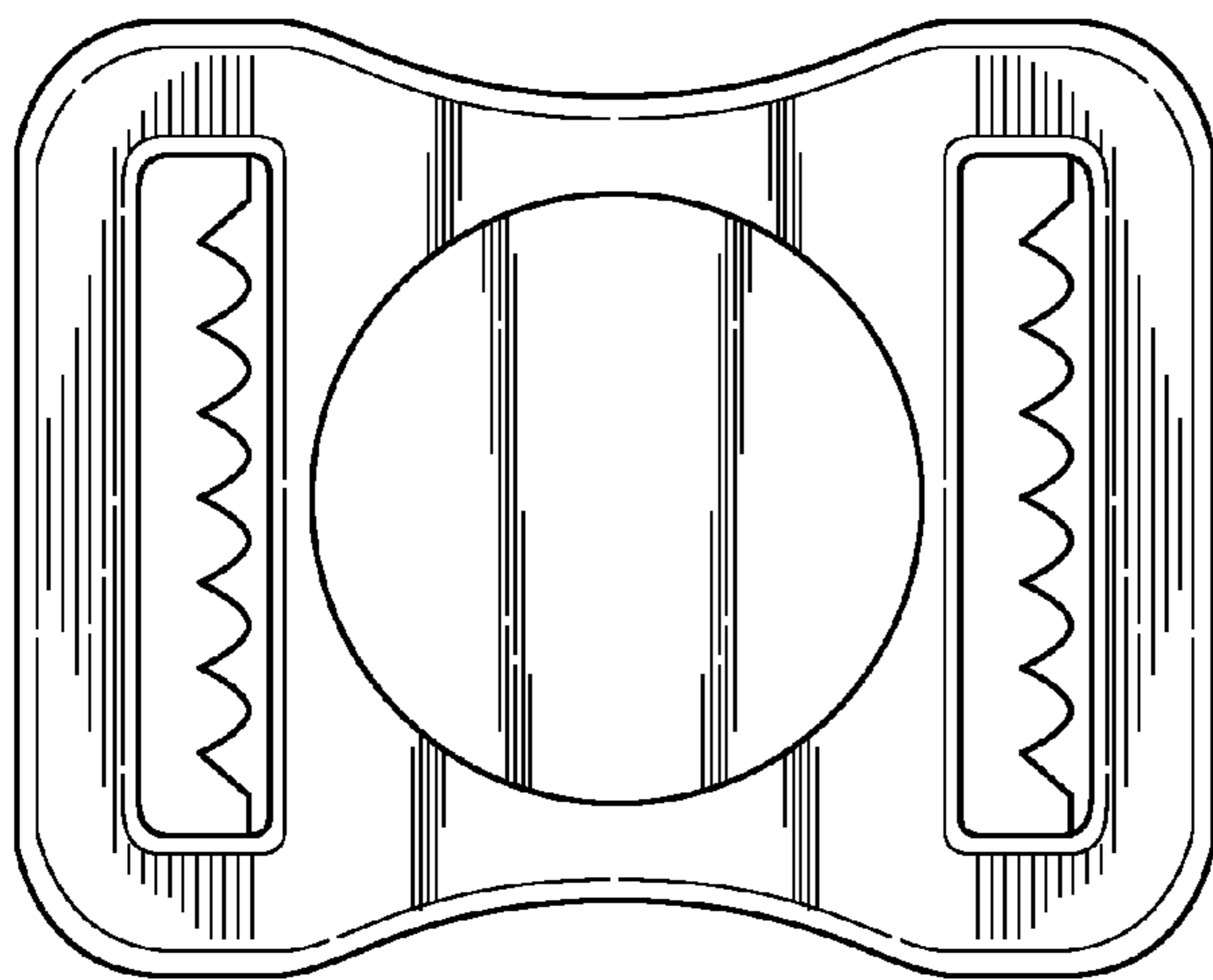
FIG. 4 is an end elevational view thereof, the end not shown being a mirror image of the end shown;

FIG. 5 is a perspective view from above thereof; and,

FIG. 6 is a perspective view from below thereof, with an attached snap being shown in broken lines.

The broken lines form no part of the claimed design.

**1 Claim, 3 Drawing Sheets**



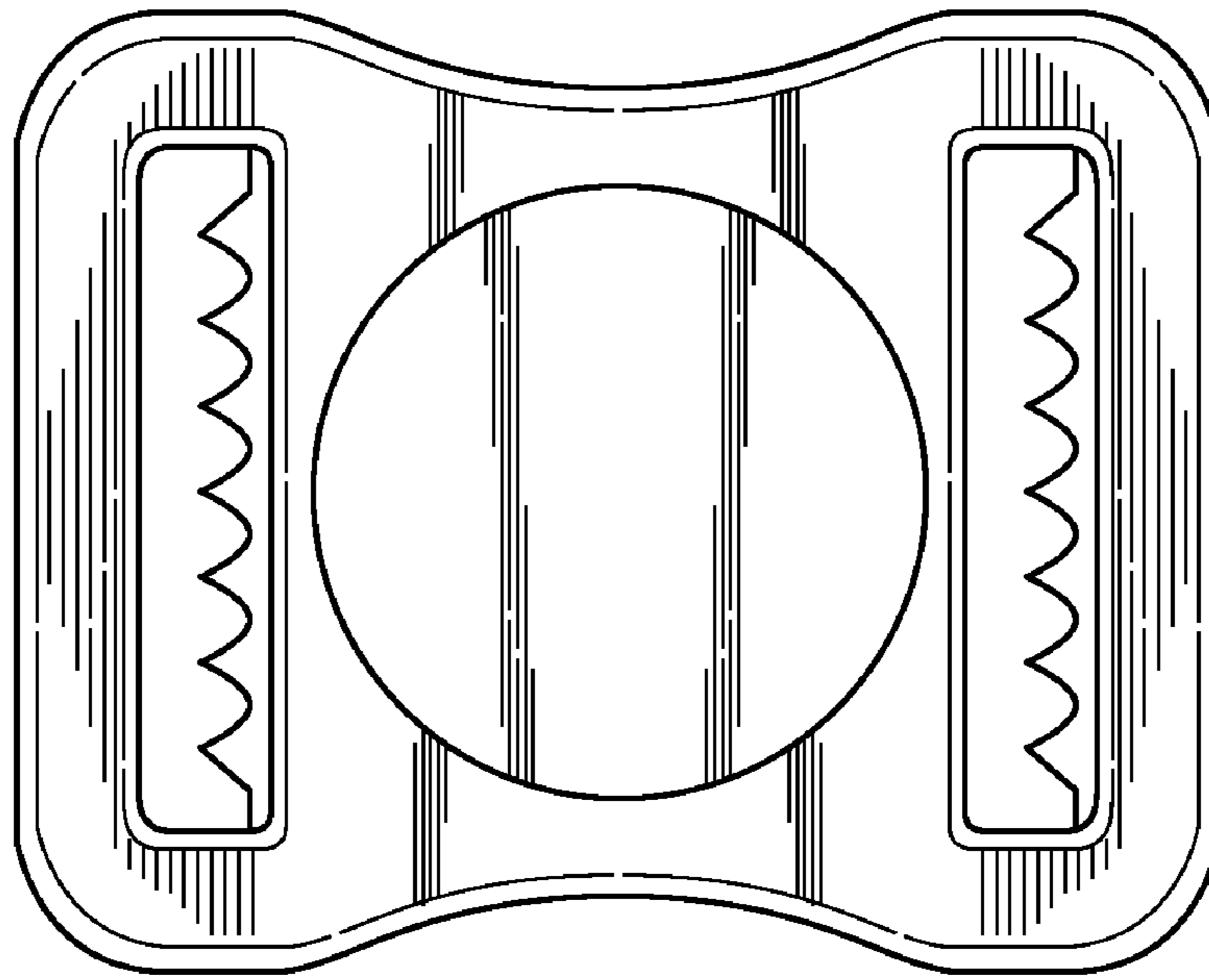


FIG. 1

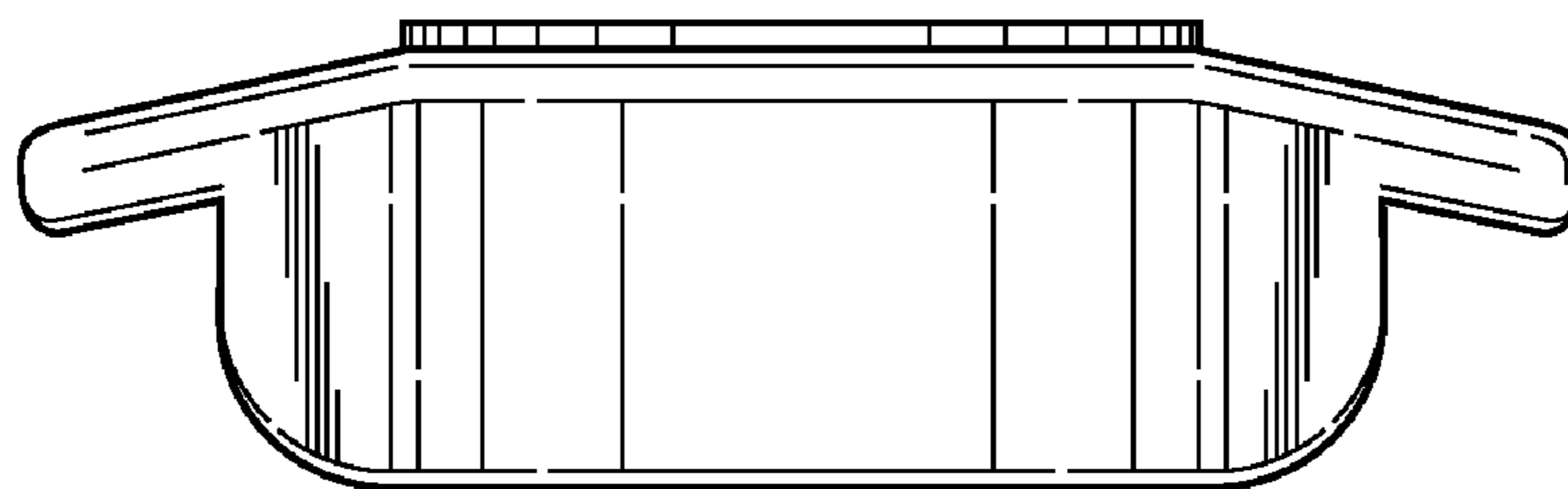


FIG. 2

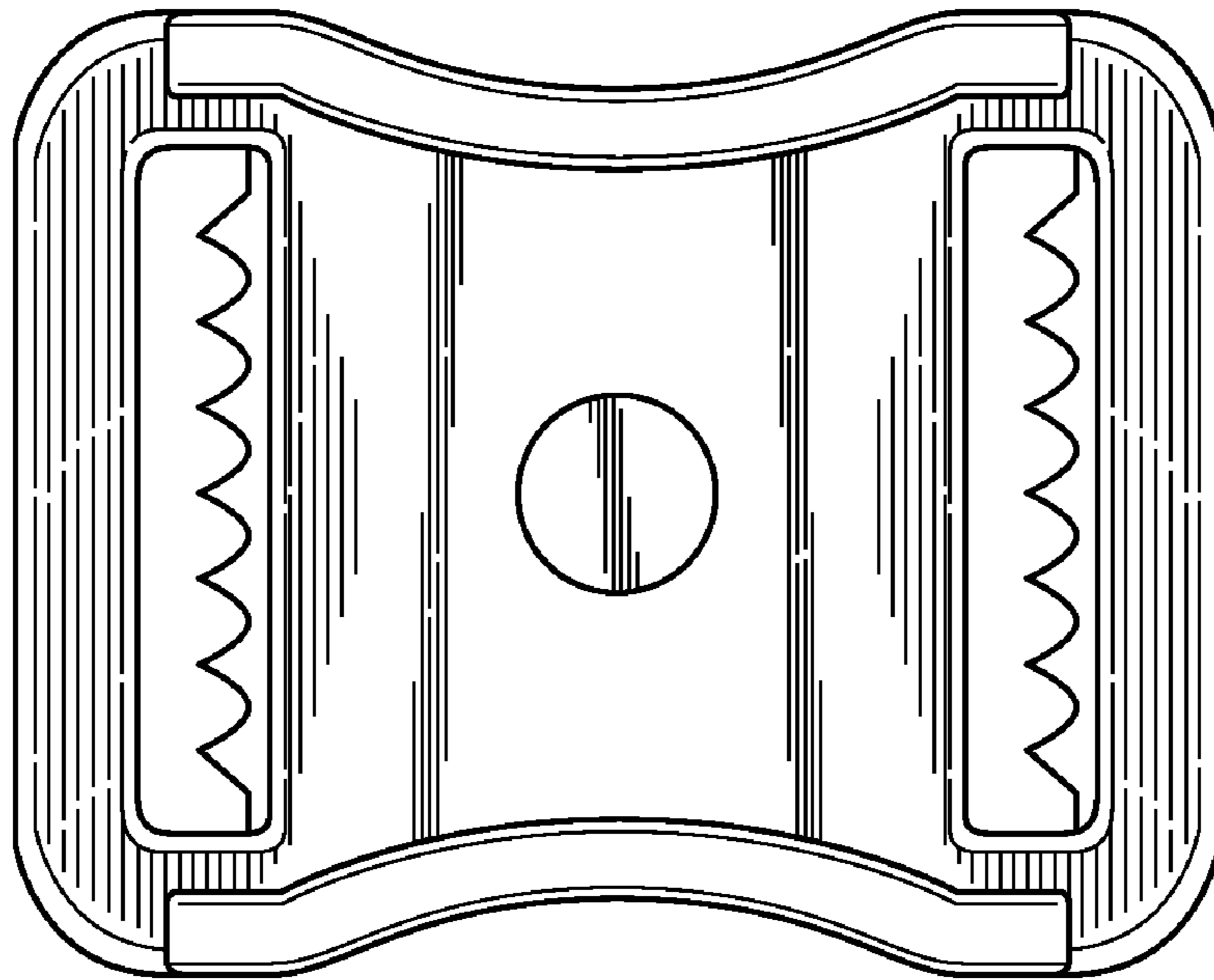


FIG. 3

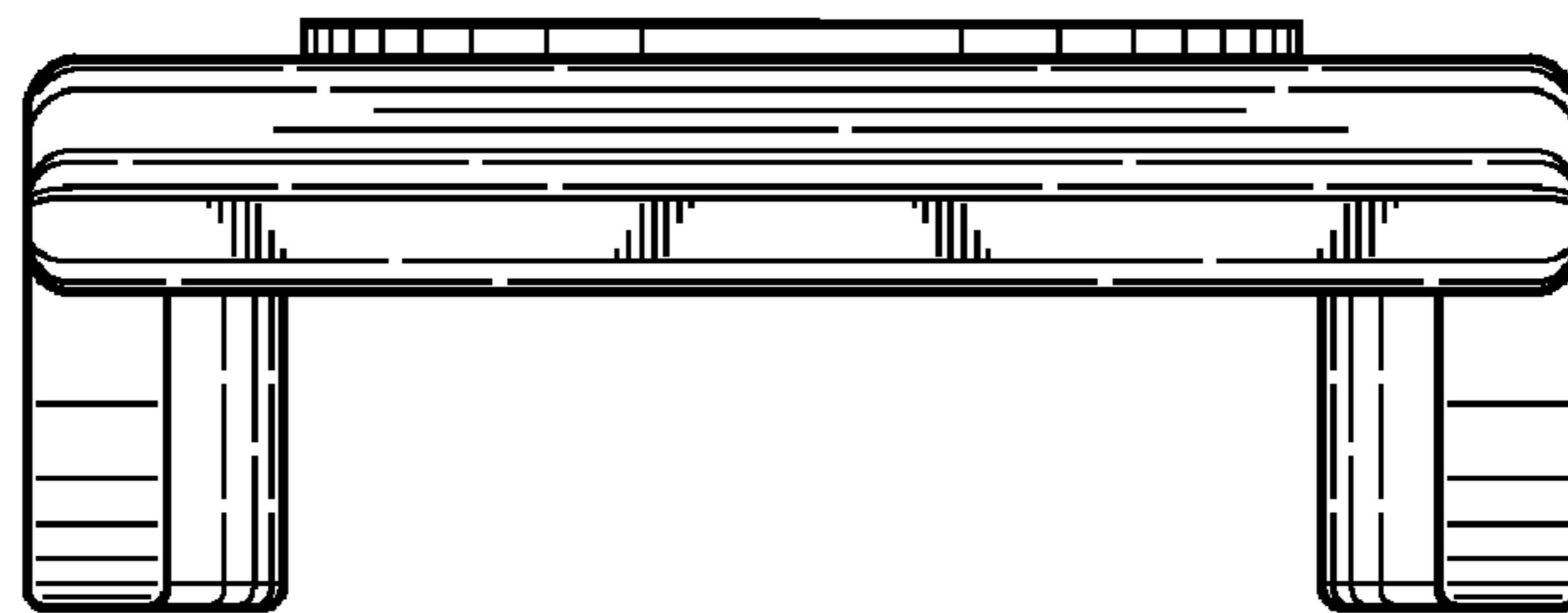


FIG. 4

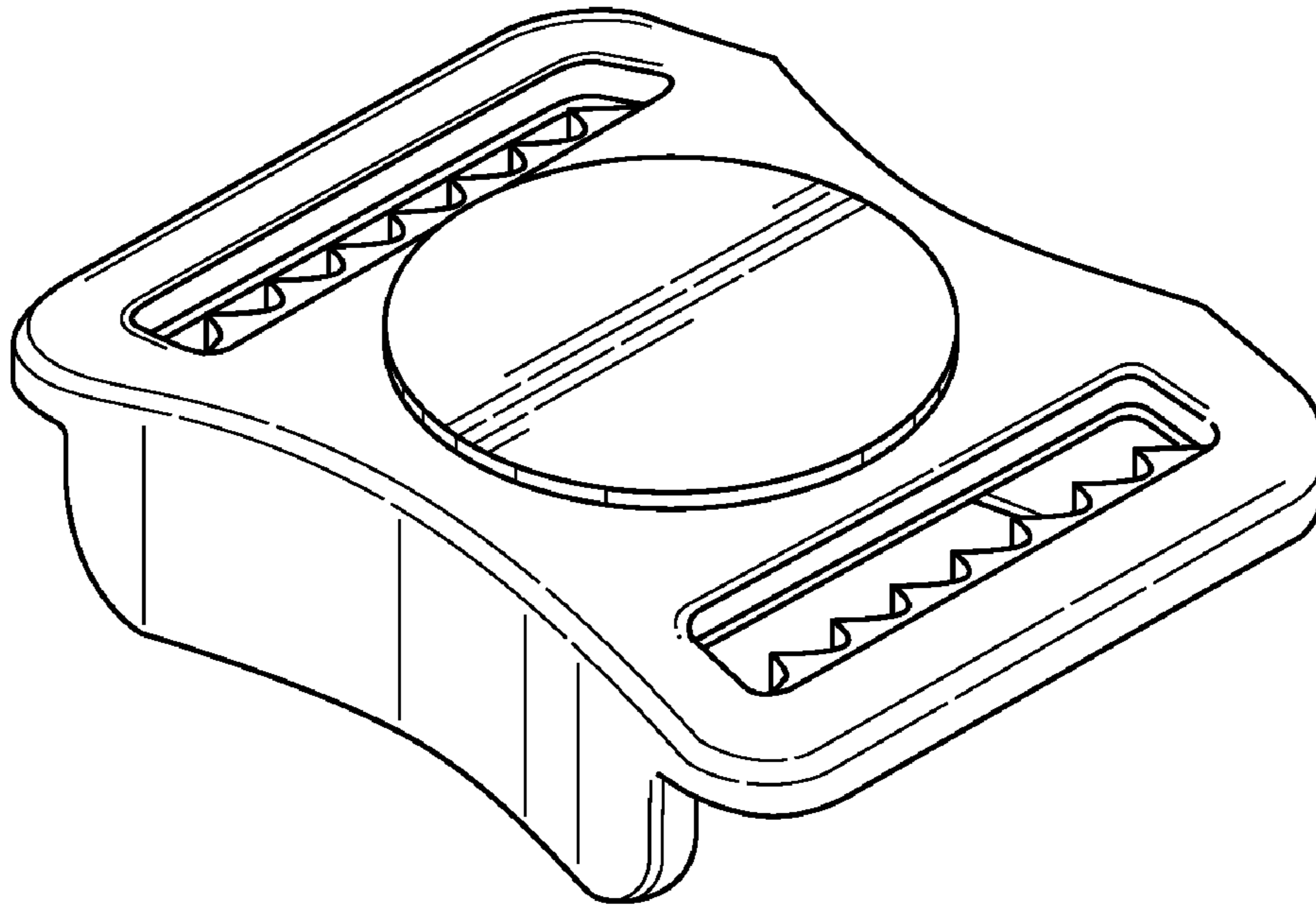


FIG. 5

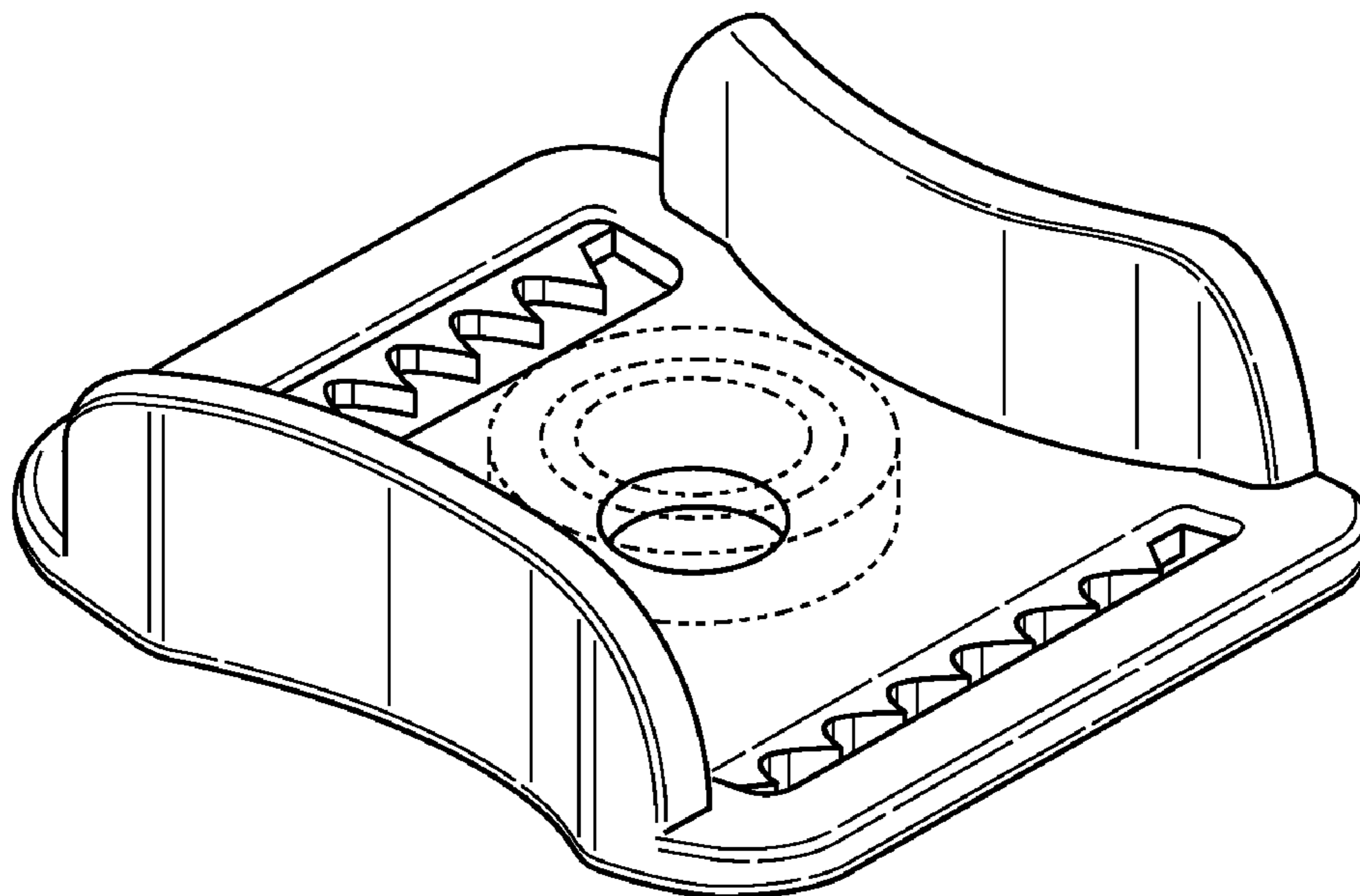


FIG. 6