



US00D608687S

(12) **United States Design Patent**
Stallins

(10) **Patent No.:** **US D608,687 S**

(45) **Date of Patent:** **** Jan. 26, 2010**

(54) **GARMENT WAIST GATHERING DEVICE**

D457,465 S * 5/2002 Hollingsworth et al. D11/215

(76) Inventor: **Caroline J. Stallins**, 52 Linden St.,
Middletown, RI (US) 02842

* cited by examiner

Primary Examiner—Catherine R Oliver

(74) *Attorney, Agent, or Firm*—Richard L. Mikesell

(**) Term: **14 Years**

(21) Appl. No.: **29/314,650**

(57) **CLAIM**

(22) Filed: **Apr. 17, 2009**

The ornamental design for a garment waist gathering device,
as shown and described.

(51) **LOC (9) Cl.** **02-07**

(52) **U.S. Cl.** **D11/215**

(58) **Field of Classification Search** D11/215,
D11/200, 212, 202, 213, 201, 222; 24/301,
24/50, 56, 49 R, 295, 66.13, 3.6, 562-563,
24/331, 510, 698.1

DESCRIPTION

See application file for complete search history.

FIG. 1 is a left side perspective view of the garment waist gathering device;

FIG. 2 is a front elevation view thereof;

FIG. 3 is a top plan view thereof;

FIG. 4 is a side elevation view thereof;

FIG. 5 is a rear elevation view thereof; and,

FIG. 6 is a bottom plan view thereof.

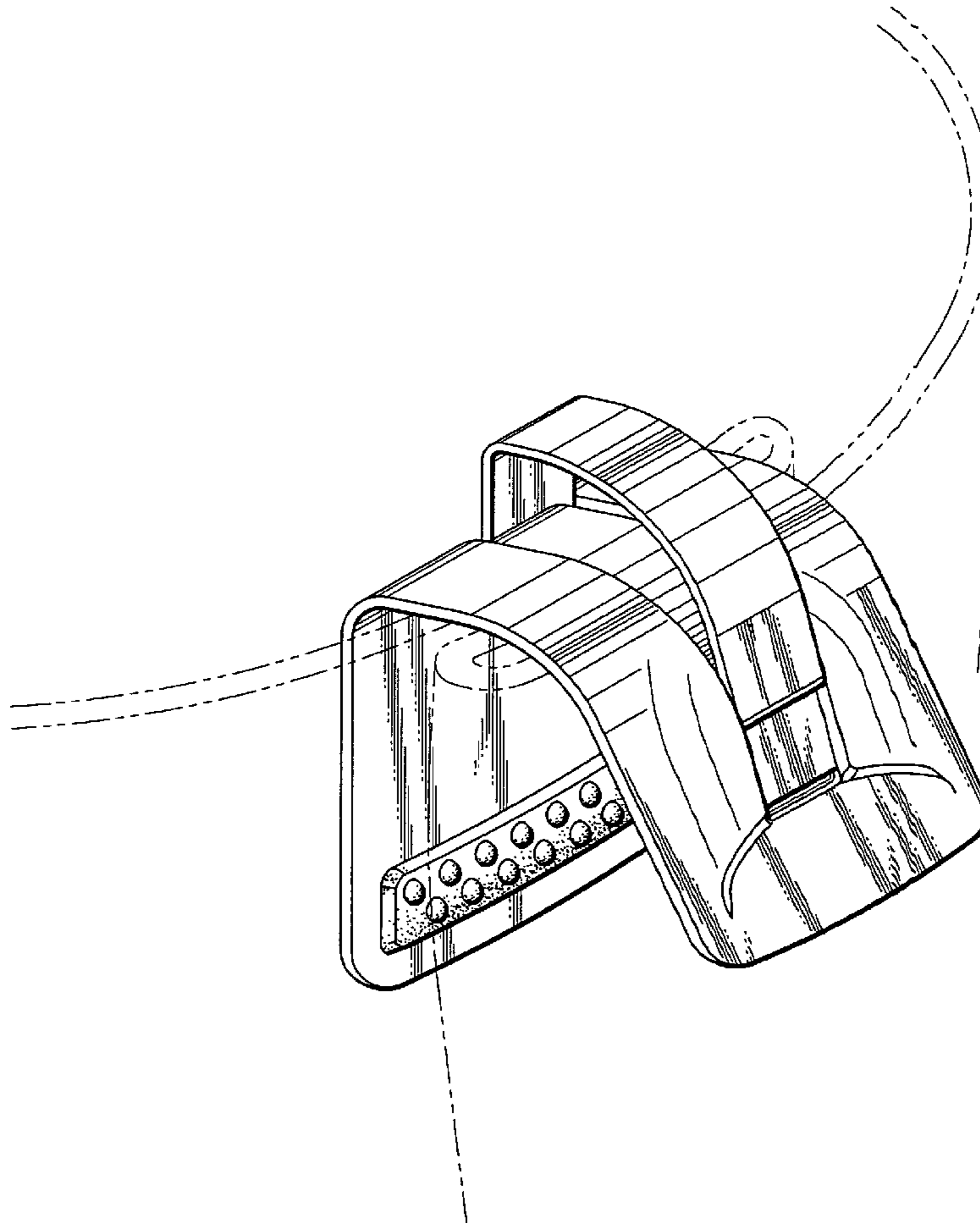
The broken line showing of a garment in the drawings is for illustrative purposes only and forms no part of the claimed design.

(56) **References Cited**

U.S. PATENT DOCUMENTS

643,317 A *	2/1900	Bigger	24/331
1,886,882 A *	11/1932	Huber	24/698.1
D114,441 S *	4/1939	Deming	D11/215
2,815,557 A *	12/1957	Jorgensen	24/510
D449,250 S *	10/2001	Everett	D11/215

1 Claim, 4 Drawing Sheets



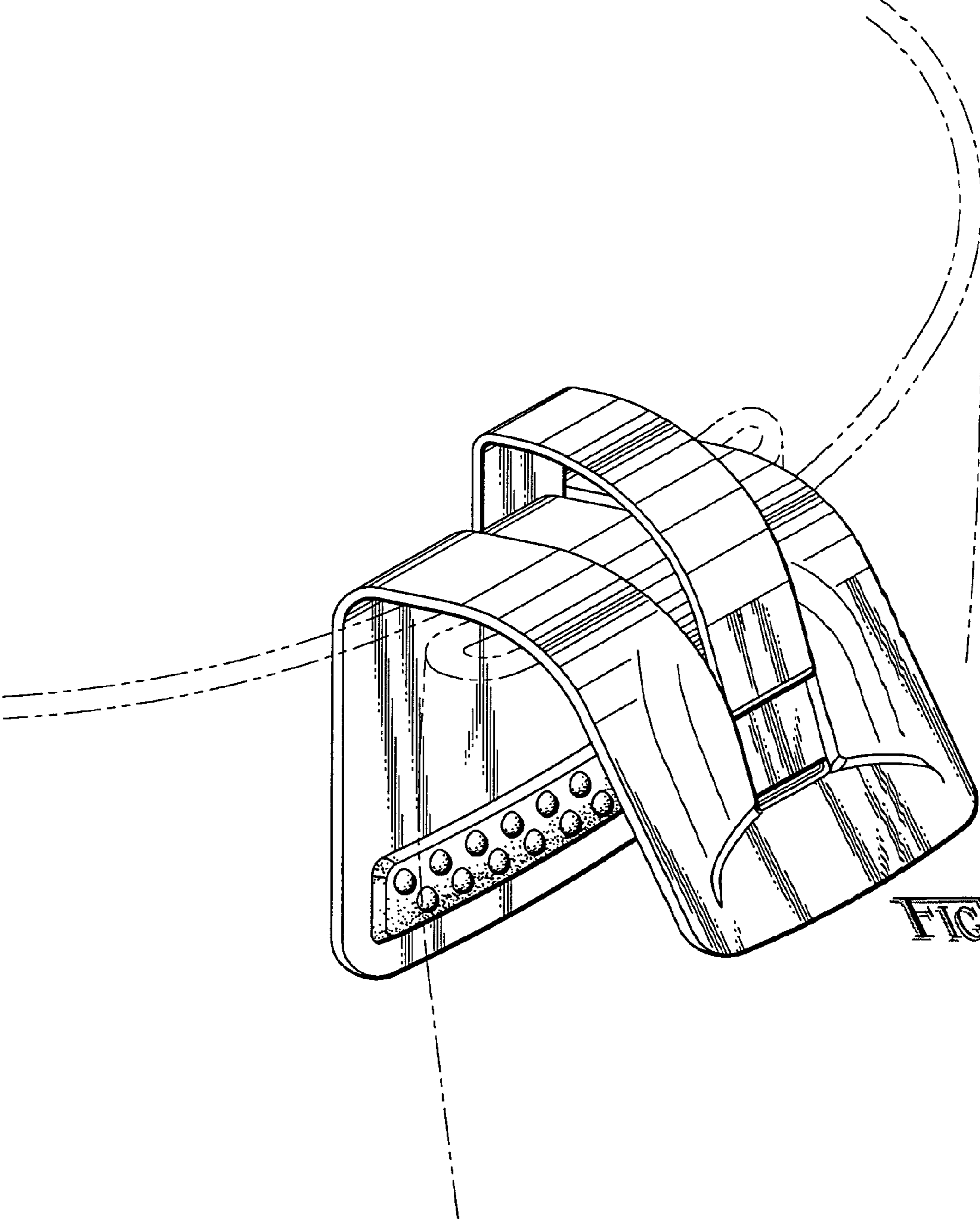


FIG. 1

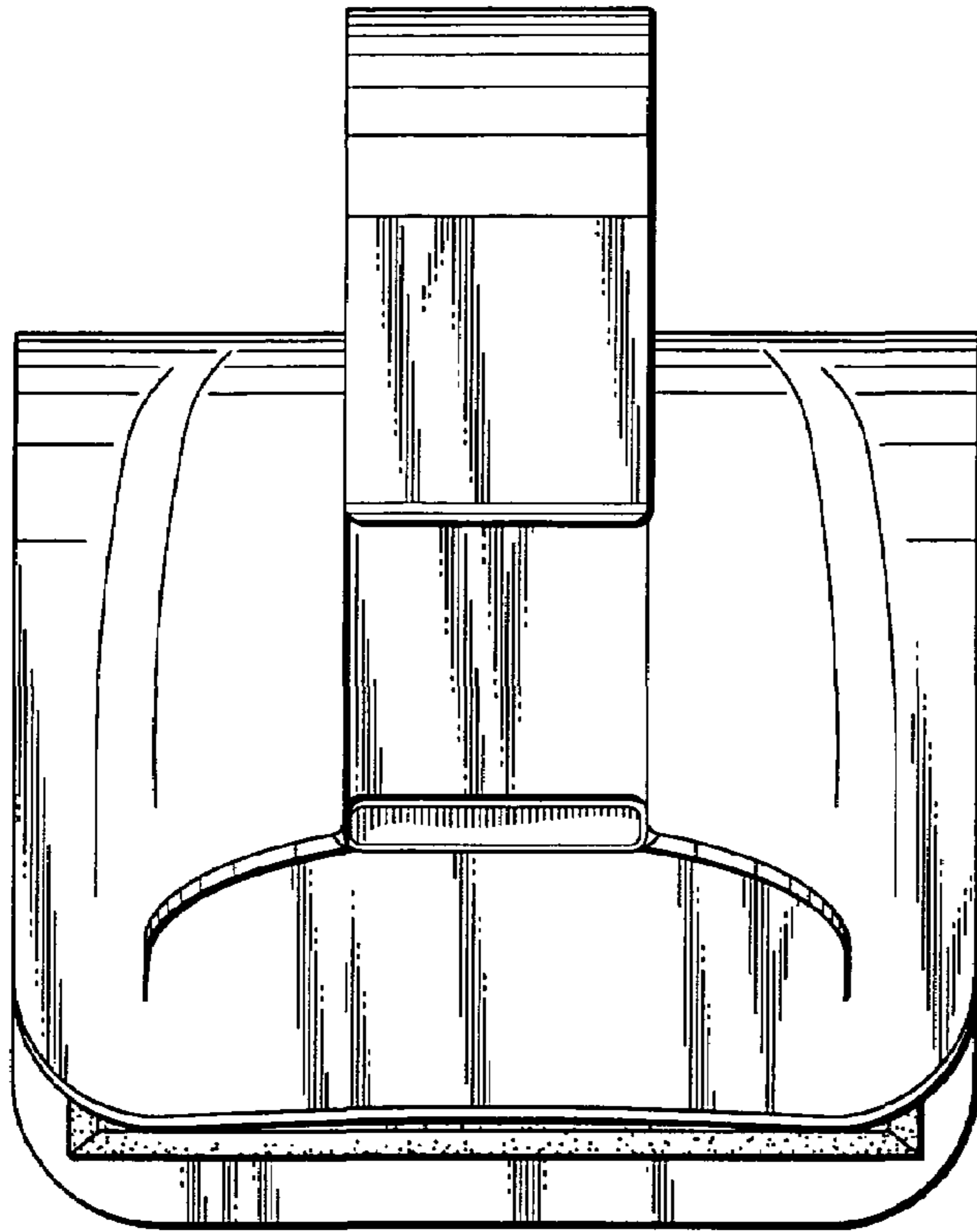


FIG. 2

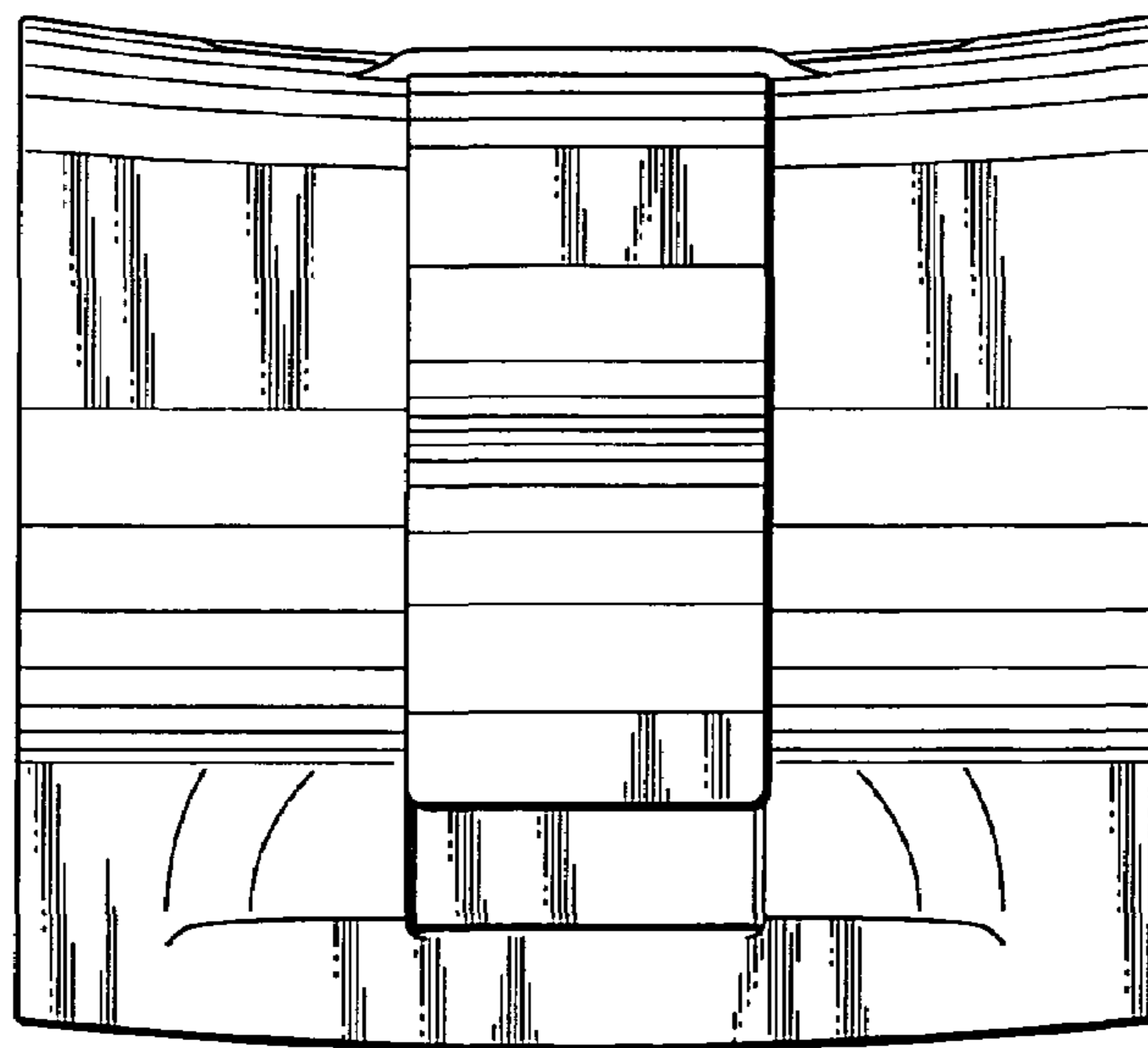


FIG. 3

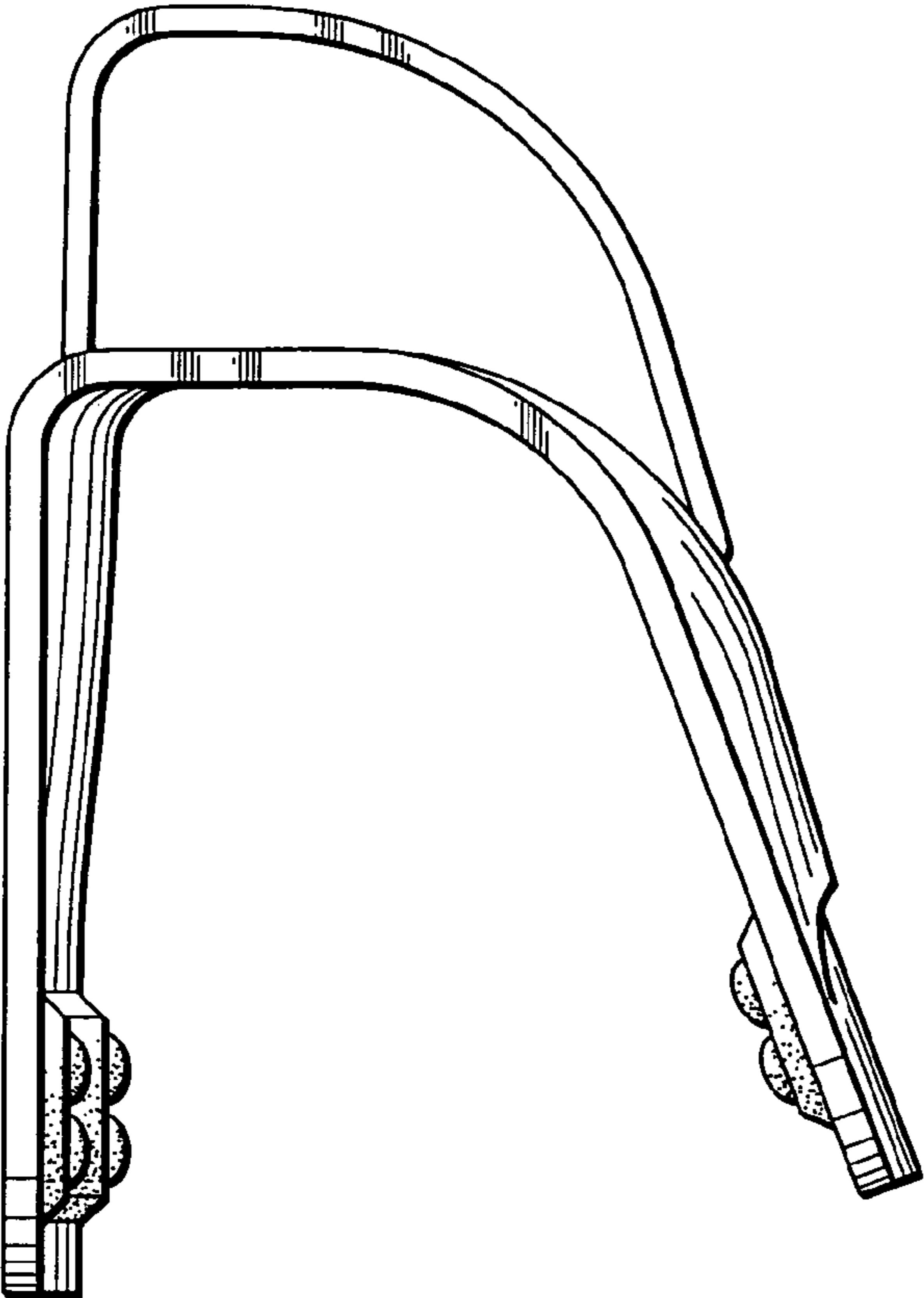


FIG. 4

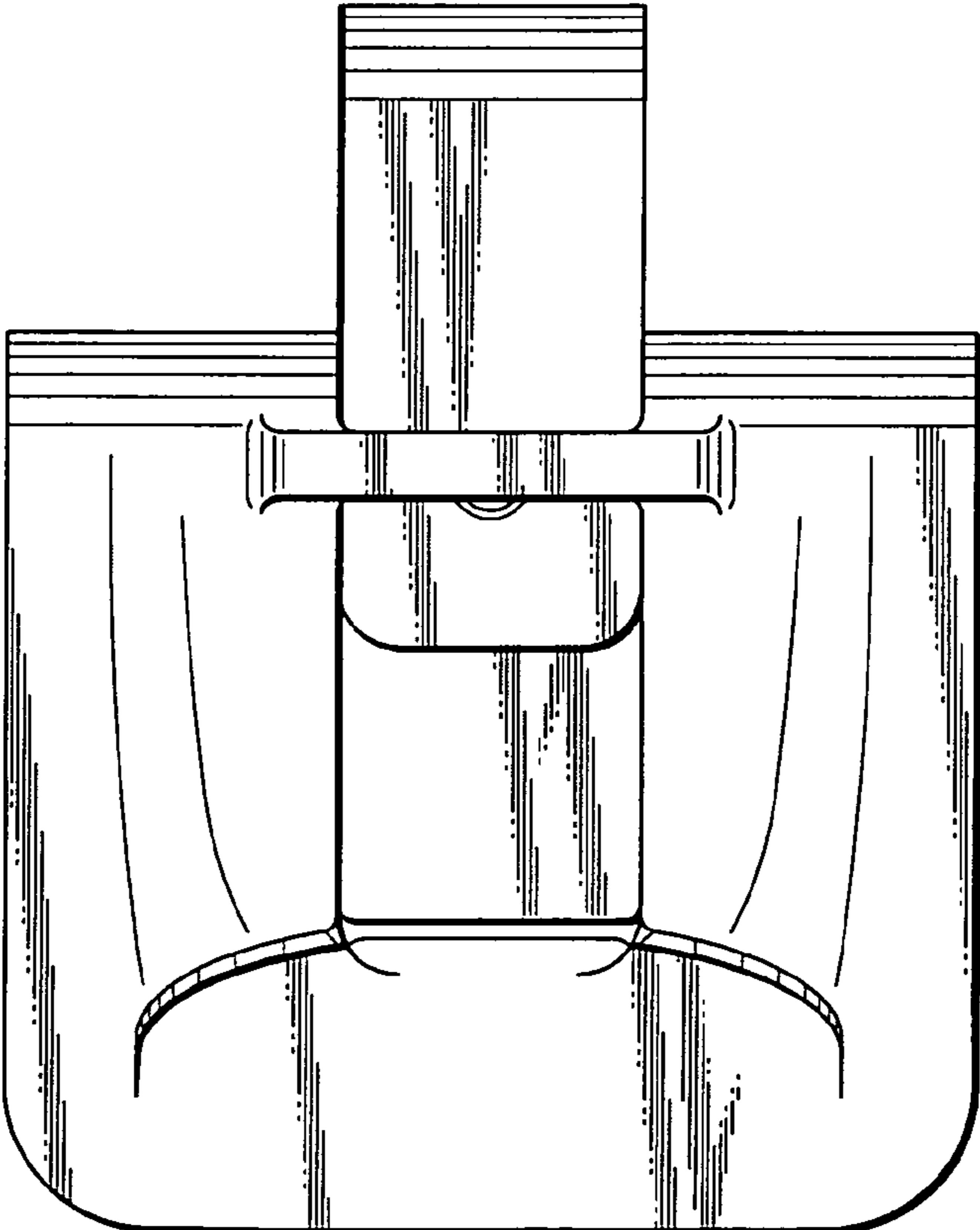


FIG. 5

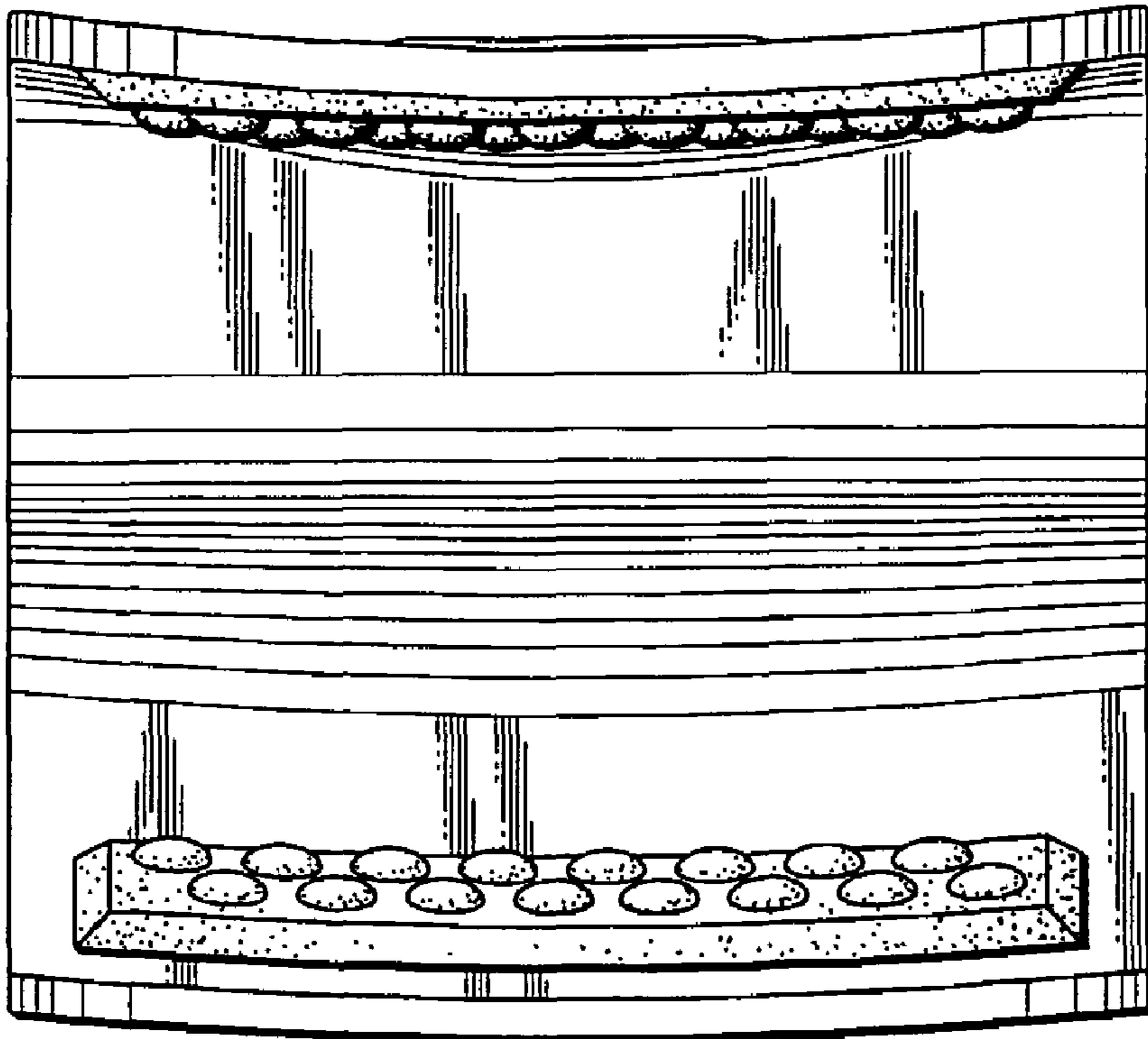


FIG. 6