



US00D608676S

(12) **United States Design Patent**  
**Behling**

(10) **Patent No.:** **US D608,676 S**

(45) **Date of Patent:** **\*\* Jan. 26, 2010**

(54) **WATCH DIAL**

(75) **Inventor:** **Christoph Behling**, London (GB)

(73) **Assignee:** **Tag Heuer SA**, La Chaux-de-Fonds (CH)

(\*\*) **Term:** **14 Years**

(21) **Appl. No.:** **29/342,430**

(22) **Filed:** **Aug. 25, 2009**

(30) **Foreign Application Priority Data**

Mar. 11, 2009 (WO) ..... DM/071 478

(51) **LOC (9) Cl.** ..... **10-07**

(52) **U.S. Cl.** ..... **D10/126**

(58) **Field of Classification Search** ..... D10/30-39,  
D10/122-126; 368/223, 228, 80, 232, 28  
See application file for complete search history.

(56) **References Cited**

**U.S. PATENT DOCUMENTS**

- D284,170 S \* 6/1986 Kurimura ..... D10/32
- D435,223 S \* 12/2000 Bodino ..... D10/32
- D444,715 S \* 7/2001 Gueit ..... D10/32

- D452,175 S \* 12/2001 Finazzi ..... D10/39
- D462,910 S \* 9/2002 Dumas ..... D10/39
- D531,536 S \* 11/2006 Lovegrove ..... D10/126
- D536,996 S \* 2/2007 Loth ..... D10/32
- D546,223 S \* 7/2007 Nataf ..... D10/126
- D567,677 S \* 4/2008 Finazzi ..... D10/34
- D572,620 S \* 7/2008 Schoepfer ..... D10/125
- D574,734 S \* 8/2008 Loth ..... D10/38
- D577,304 S \* 9/2008 Behling ..... D10/126
- D597,880 S \* 8/2009 Behling ..... D10/126
- D598,801 S \* 8/2009 Behling ..... D10/126
- D601,909 S \* 10/2009 Behling ..... D10/38

\* cited by examiner

*Primary Examiner*—Lucy Lieberman

(74) *Attorney, Agent, or Firm*—Gottlieb, Rackman & Reisman

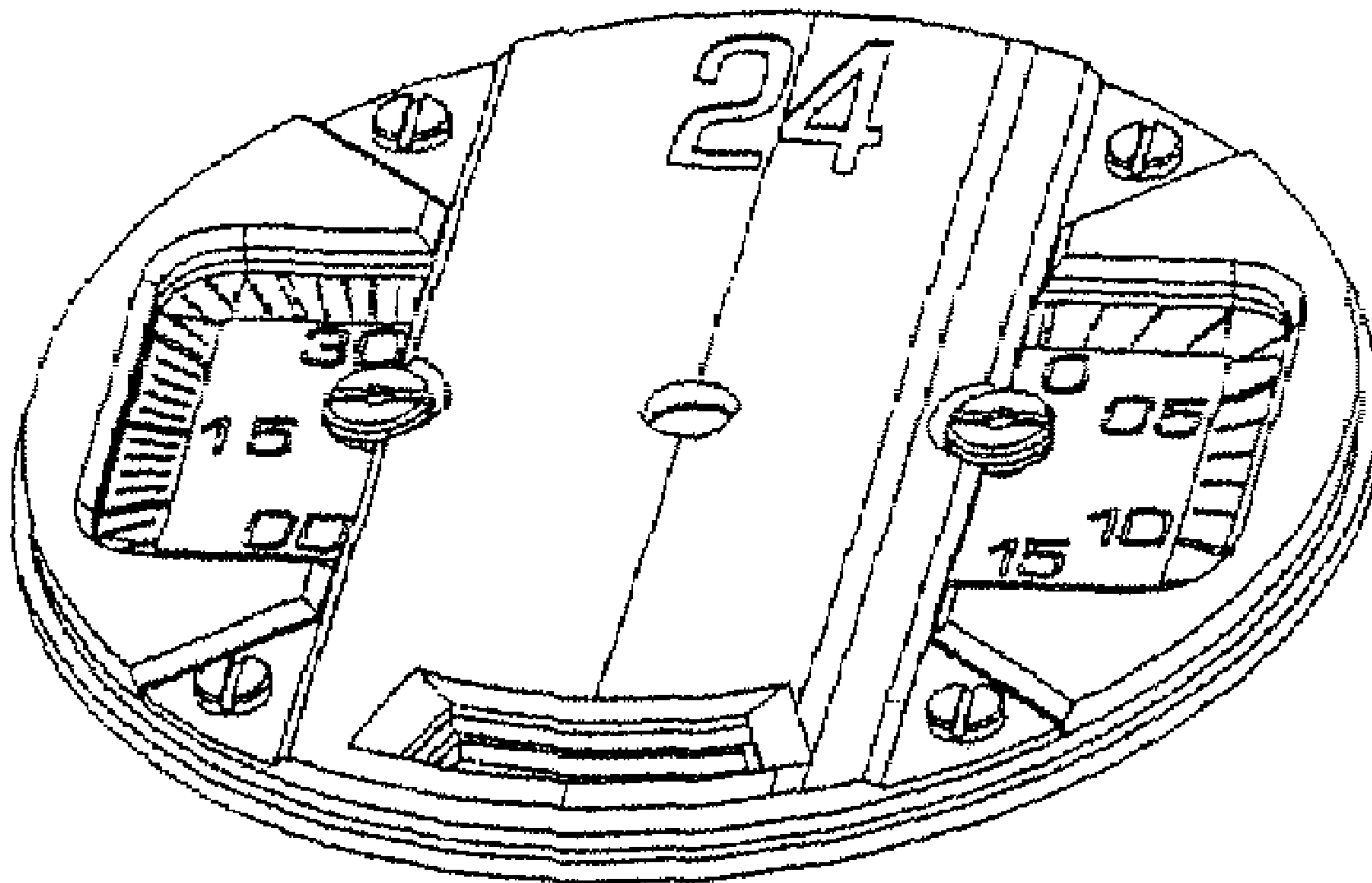
(57) **CLAIM**

The ornamental design for a watch dial, as shown and described.

**DESCRIPTION**

FIG. 1 is a perspective view showing my new design; and, FIG. 2 is a front elevational view thereof.

**1 Claim, 1 Drawing Sheet**



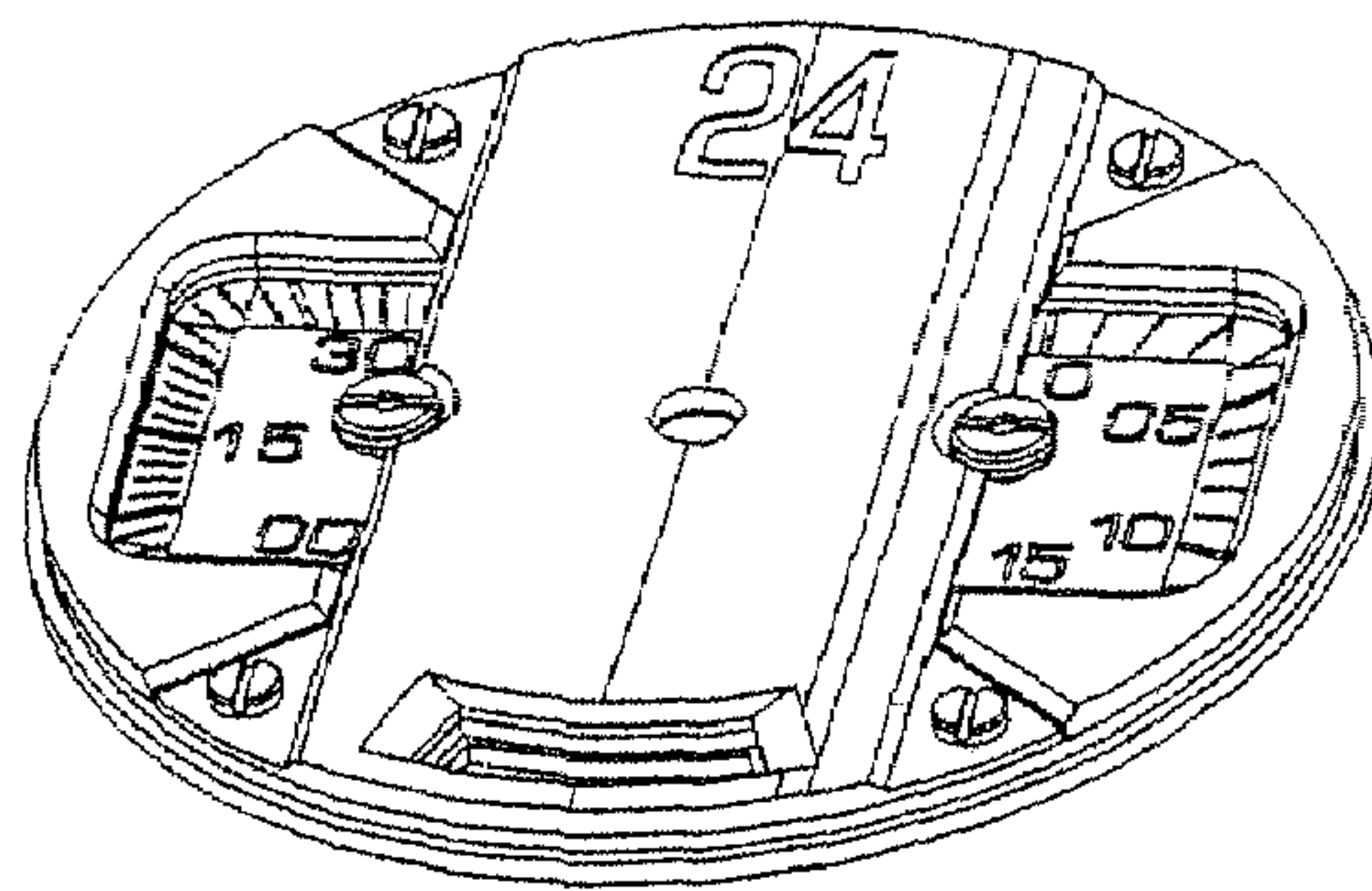


FIG. 1

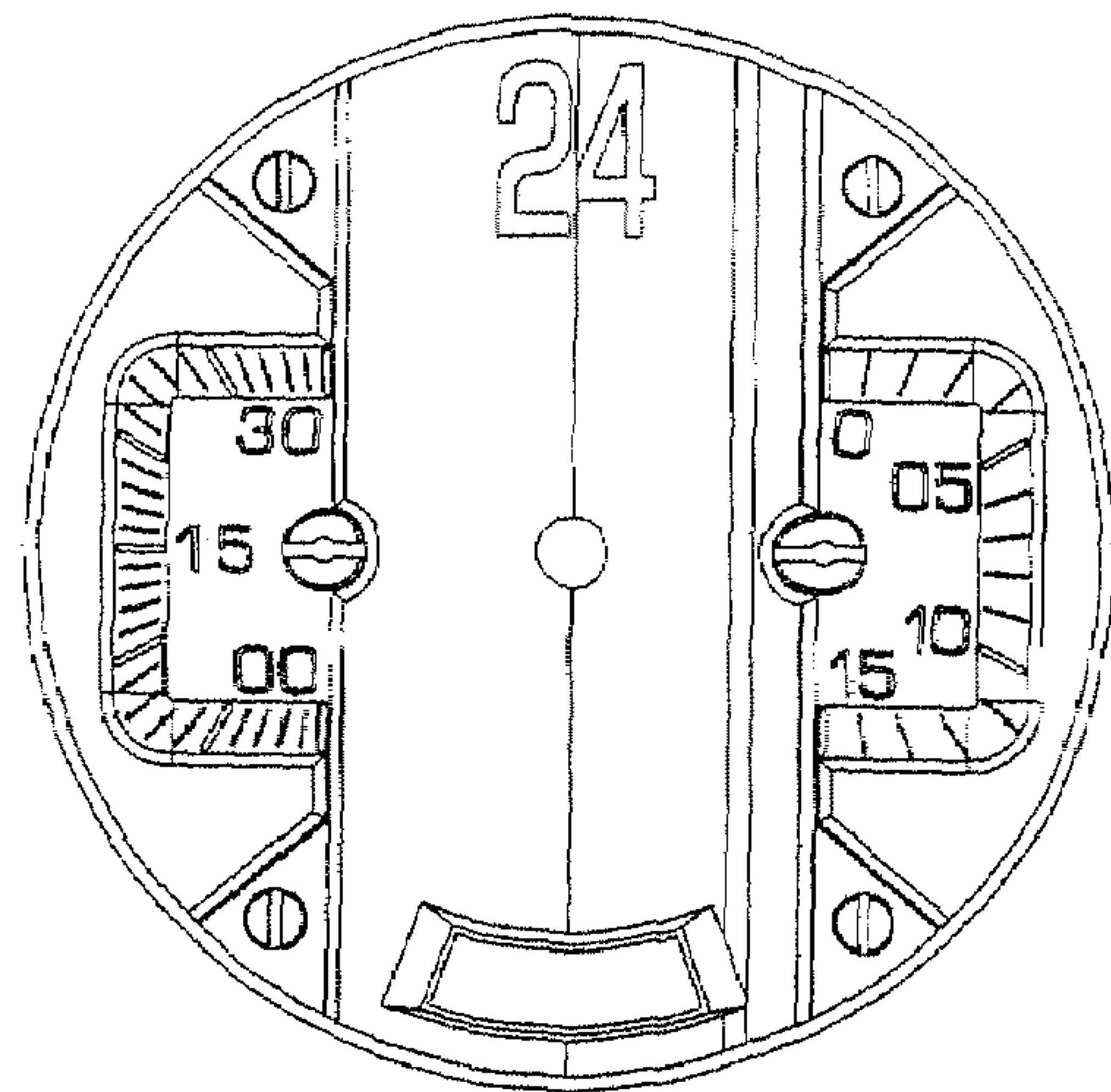


FIG. 2

UNITED STATES PATENT AND TRADEMARK OFFICE  
**CERTIFICATE OF CORRECTION**

PATENT NO. : Des. 608,676 S  
APPLICATION NO. : 29/342430  
DATED : January 26, 2010  
INVENTOR(S) : Behling

Page 1 of 3

It is certified that error appears in the above-identified patent and that said Letters Patent is hereby corrected as shown below:

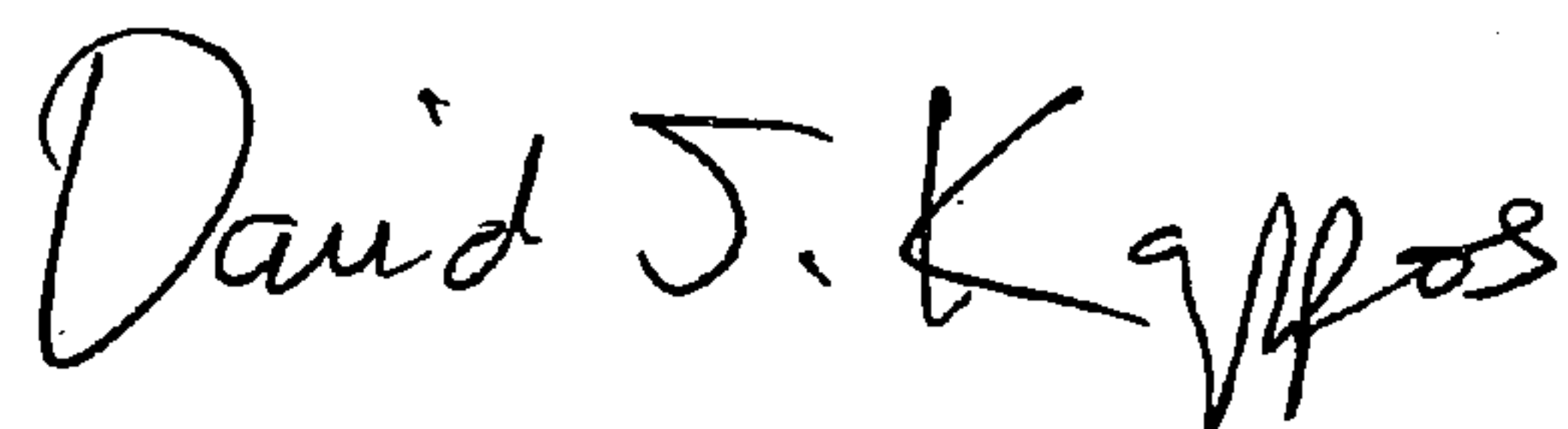
**In the Drawings**

Title page, illustrative fig. 1 should be deleted and substitute therefore the attached title page consisting of the attached illustrative fig. 1.

The drawing sheet consisting of Fig(s) 1 and 2 should be deleted and substitute therefore the attached drawing sheet consisting of Fig(s) 1 and 2.

Signed and Sealed this

Fifteenth Day of June, 2010

A handwritten signature in black ink that reads "David J. Kappos". The signature is written in a cursive, flowing style.

David J. Kappos  
*Director of the United States Patent and Trademark Office*



(12) **United States Design Patent**  
**Behling**

(10) **Patent No.:** **US D608,676 S**  
(45) **Date of Patent:** **\*\* Jan. 26, 2010**

(54) **WATCH DIAL**

(75) **Inventor:** **Christoph Behling, London (GB)**

(73) **Assignee:** **Tag Heuer SA, La Chaux-de-Fonds (CH)**

(\*\*) **Term:** **14 Years**

(21) **Appl. No.:** **29/342,430**

(22) **Filed:** **Aug. 25, 2009**

(30) **Foreign Application Priority Data**

Mar. 11, 2009 (WO) ..... DM/071 478

(51) **LOC (9) Cl.** ..... 10-07

(52) **U.S. Cl.** ..... D10/126

(58) **Field of Classification Search** ..... D10/30-39,  
D10/122-126; 368/223, 228, 80, 232, 28  
See application file for complete search history.

(56) **References Cited**

**U.S. PATENT DOCUMENTS**

- D284,170 S \* 6/1986 Kurimura ..... D10/32
- D435,223 S \* 12/2000 Bodino ..... D10/32
- D444,715 S \* 7/2001 Gueit ..... D10/32

- D452,175 S \* 12/2001 Finazzi ..... D10/39
- D462,910 S \* 9/2002 Dumas ..... D10/39
- D531,536 S \* 11/2006 Lovegrove ..... D10/126
- D536,996 S \* 2/2007 Loth ..... D10/32
- D546,223 S \* 7/2007 Nataf ..... D10/126
- D567,677 S \* 4/2008 Finazzi ..... D10/34
- D572,620 S \* 7/2008 Schoepfer ..... D10/125
- D574,734 S \* 8/2008 Loth ..... D10/38
- D577,304 S \* 9/2008 Behling ..... D10/126
- D597,880 S \* 8/2009 Behling ..... D10/126
- D598,801 S \* 8/2009 Behling ..... D10/126
- D601,909 S \* 10/2009 Behling ..... D10/38

\* cited by examiner

*Primary Examiner*—Lucy Lieberman

(74) *Attorney, Agent, or Firm*—Gottlieb, Rackman & Reisman

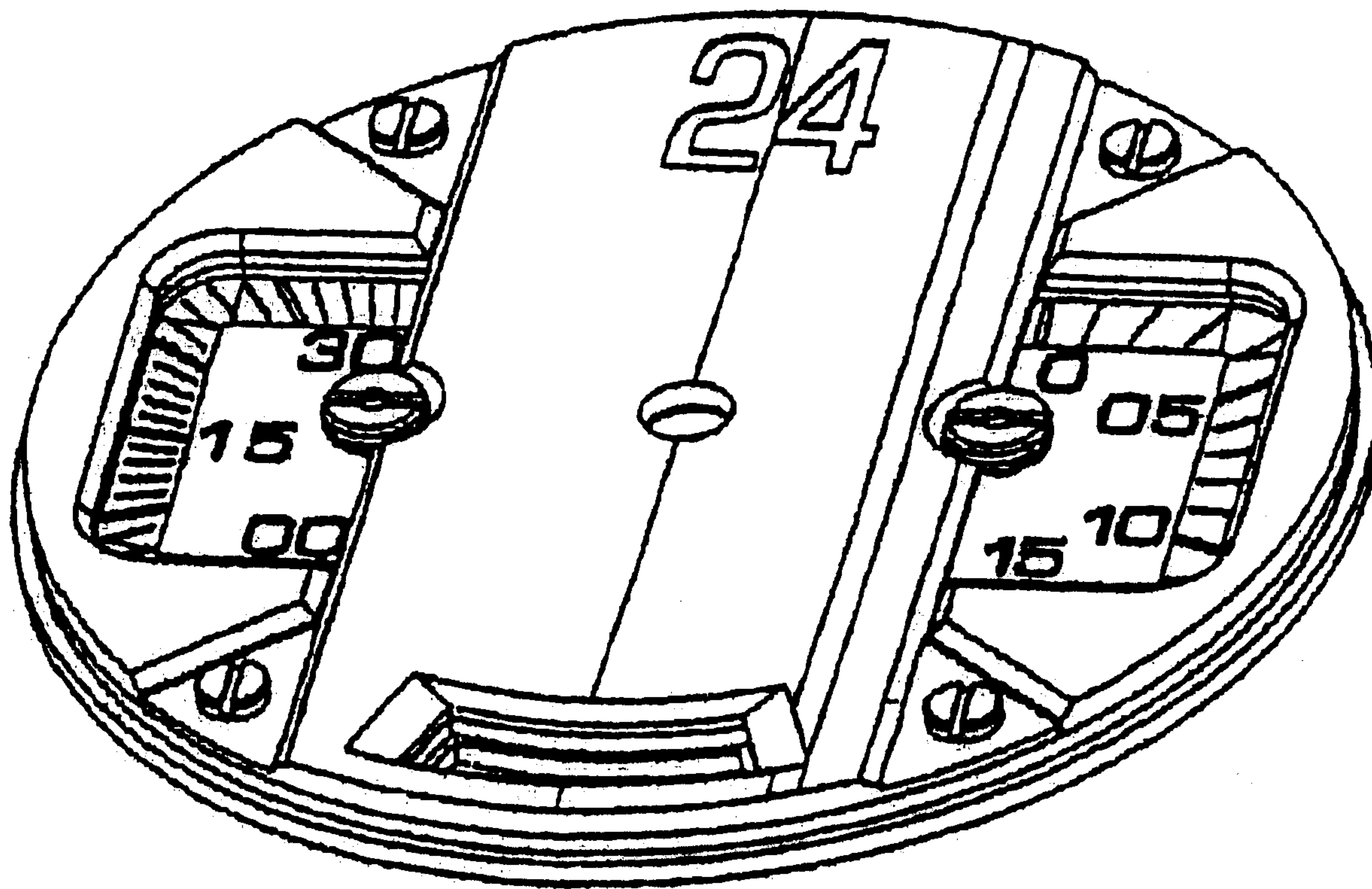
(57) **CLAIM**

The ornamental design for a watch dial, as shown and described.

**DESCRIPTION**

FIG. 1 is a perspective view showing my new design; and, FIG. 2 is a front elevational view thereof.

**1 Claim, 1 Drawing Sheet**



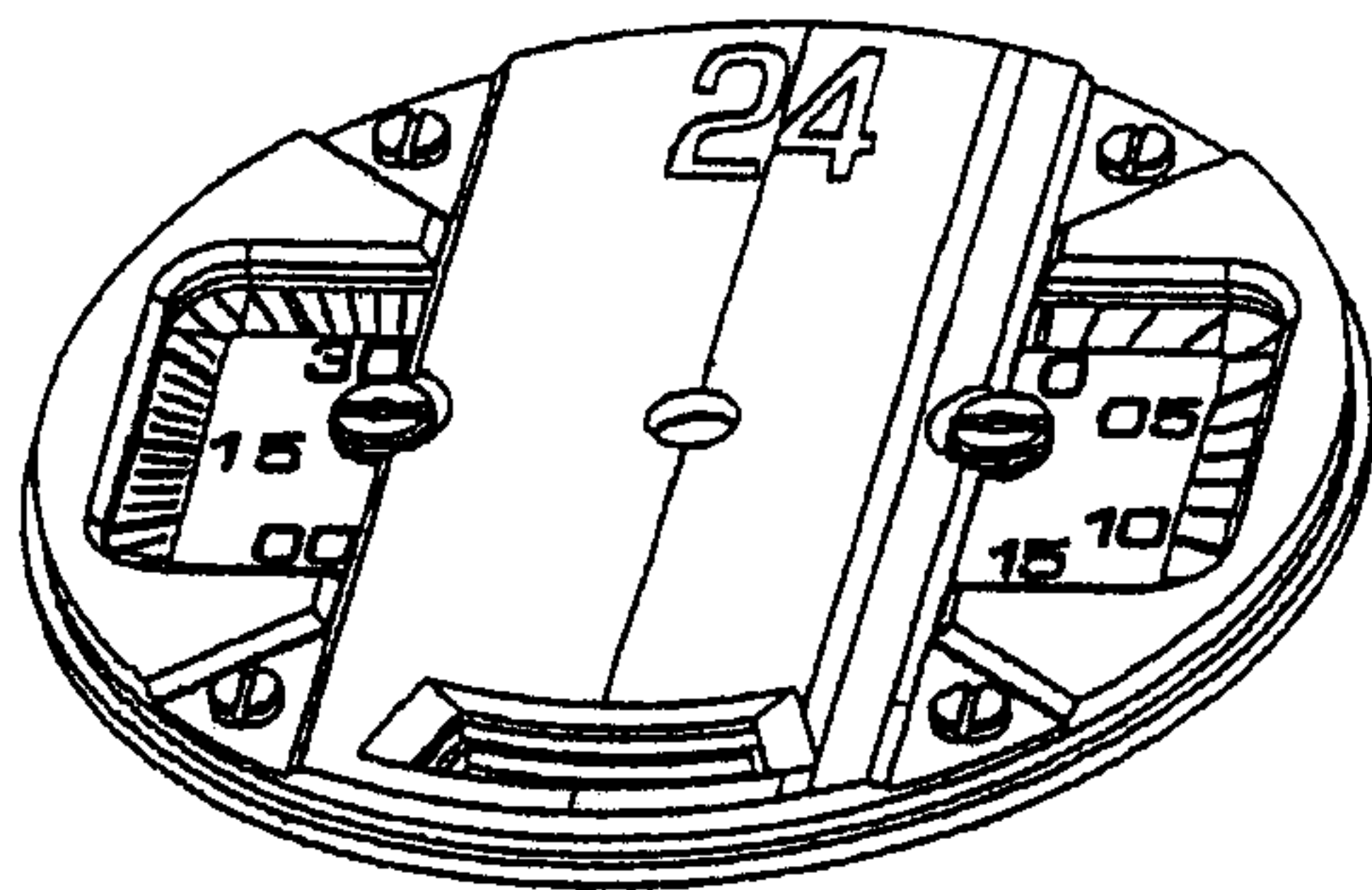


FIG. 1

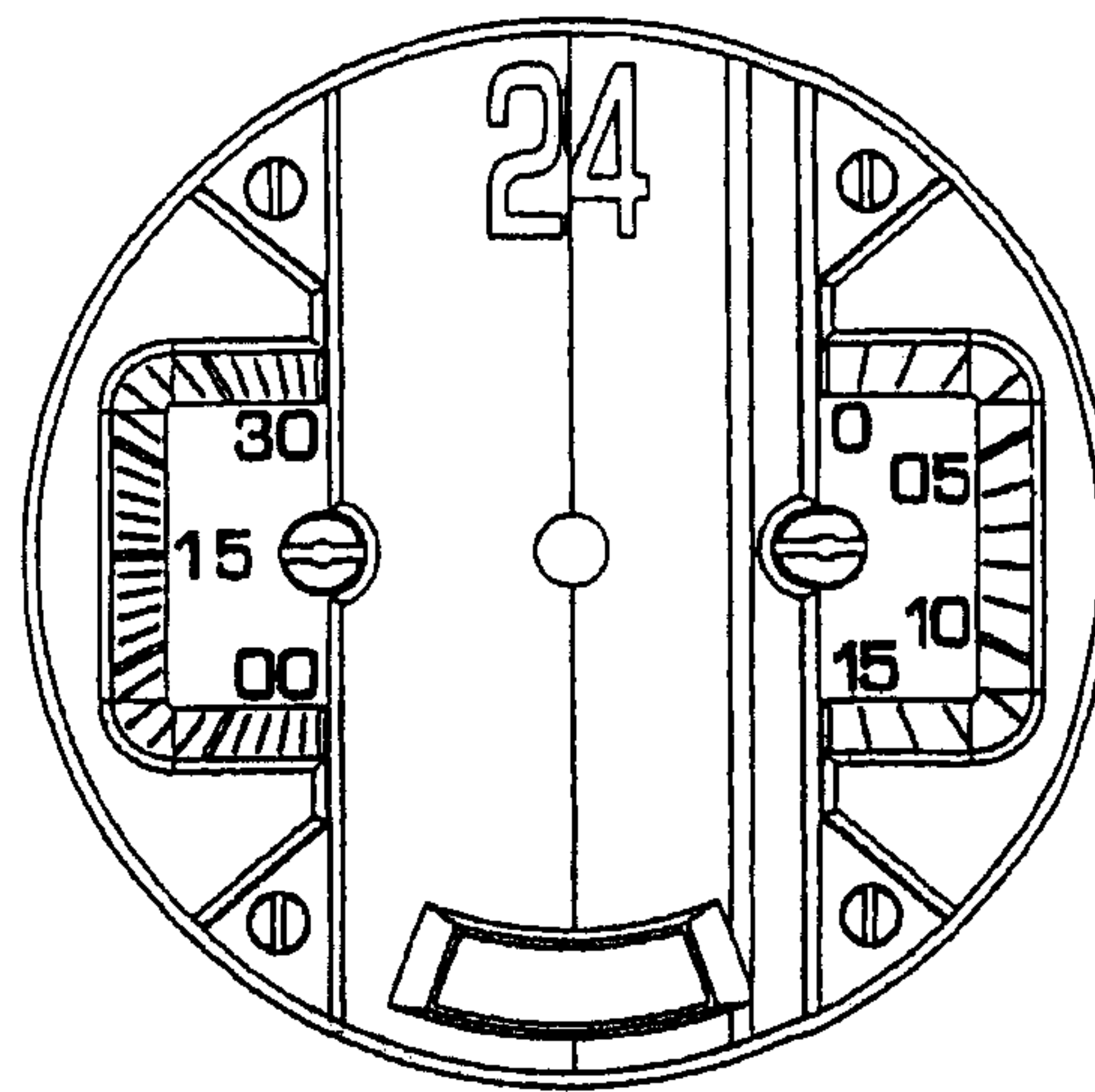


FIG. 2