



US00D608673S

(12) **United States Design Patent**
Arosio

(10) **Patent No.:** **US D608,673 S**
(45) **Date of Patent:** **** Jan. 26, 2010**

(54) **SIGNAL LAMP**

(75) Inventor: **Oliviero Arosio**, Lissone (IT)

(73) Assignee: **GL.BI.DI. S.r.l.**, Poggio Rusco (IT)

(**) Term: **14 Years**

(21) Appl. No.: **29/309,175**

(22) Filed: **Jun. 30, 2008**

(30) **Foreign Application Priority Data**

Jan. 15, 2008 (EM) 000859996

(51) **LOC (9) Cl.** **10-05**

(52) **U.S. Cl.** **D10/111**

(58) **Field of Classification Search** D10/114,
D10/109, 111; D34/25; D22/148; D26/49,
D26/37, 110, 24, 27, 93, 104, 60-71; D24/110;
340/908, 309.8, 309.16, 321, 953, 384.1,
340/815.77, 691.1, 326; 116/63 P, 63 R;
362/205, 184, 253, 186; 390/321, 690

See application file for complete search history.

(56) **References Cited**

U.S. PATENT DOCUMENTS

4,468,656 A * 8/1984 Clifford et al. 340/539.11

D363,250 S * 10/1995 Miyatake D10/114
5,898,363 A * 4/1999 Altilio 340/384.1
D411,124 S * 6/1999 Karlin D10/114
5,963,126 A * 10/1999 Karlin et al. 340/321
D558,079 S * 12/2007 Bonnaud D10/111

* cited by examiner

Primary Examiner—Caron Veynar

Assistant Examiner—George D Kirschbaum

(74) *Attorney, Agent, or Firm*—Modiano & Associati; Albert Josif; Daniel J. O’Byrne

(57) **CLAIM**

The ornamental design for “signal lamp”, as shown.

DESCRIPTION

FIG. 1 is a perspective view of a signal lamp, showing my new design;

FIG. 2 is a front view thereof;

FIG. 3 is a rear view thereof;

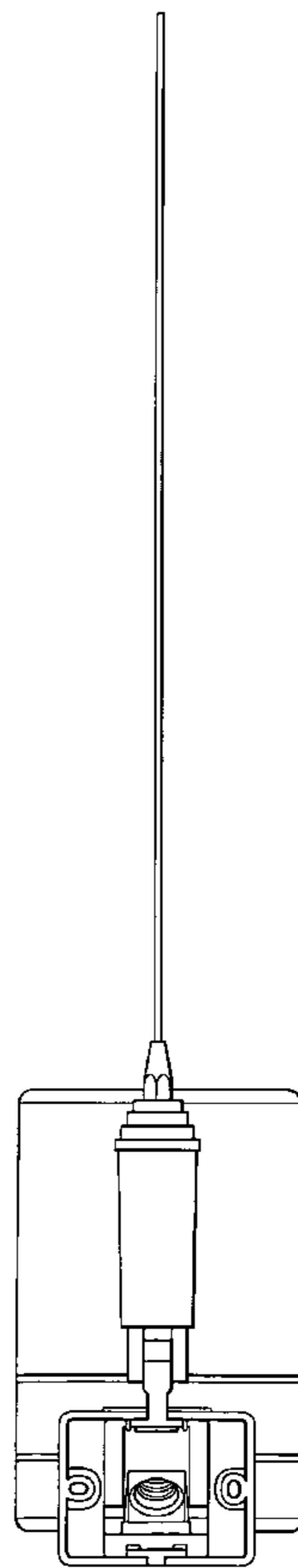
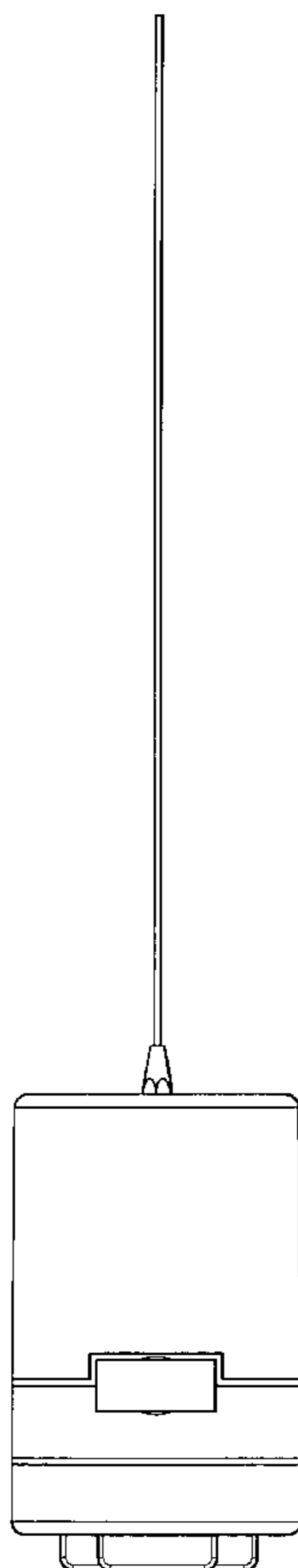
FIG. 4 is a right side view thereof;

FIG. 5 is a left side view thereof;

FIG. 6 is a top view thereof; and,

FIG. 7 is a bottom view thereof.

1 Claim, 3 Drawing Sheets



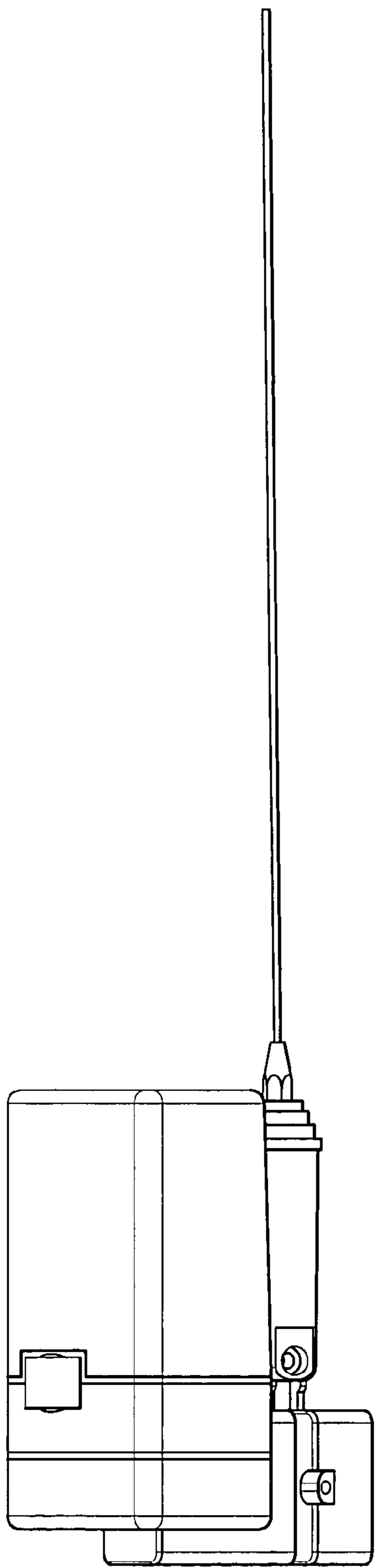


Fig. 1

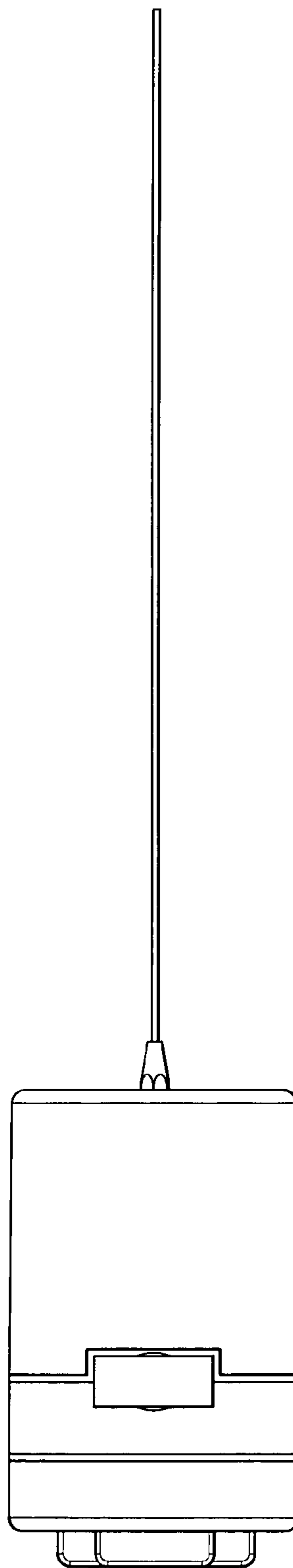


Fig. 2

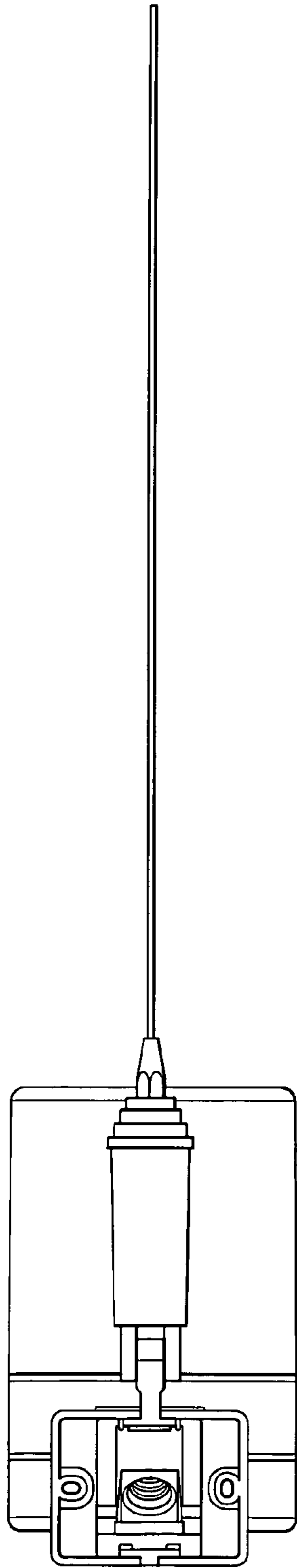


Fig. 3

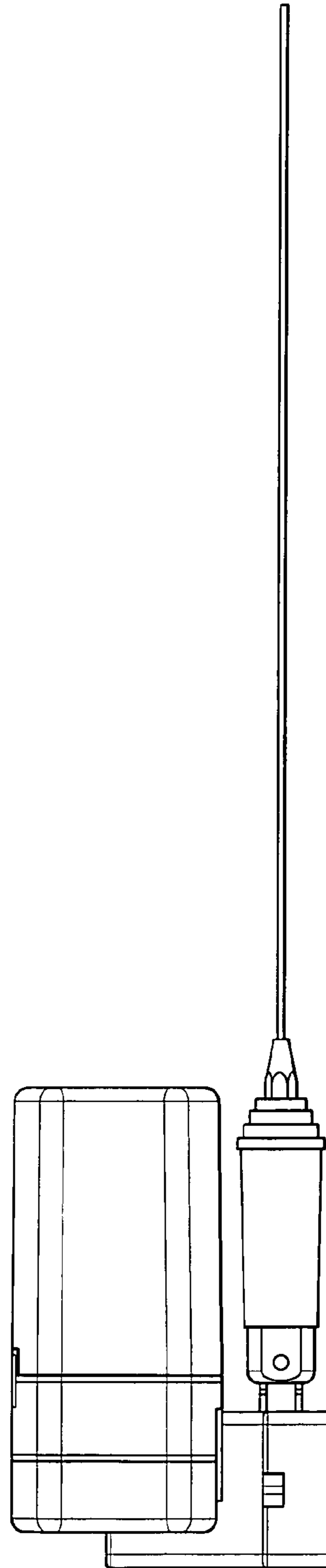


Fig. 4

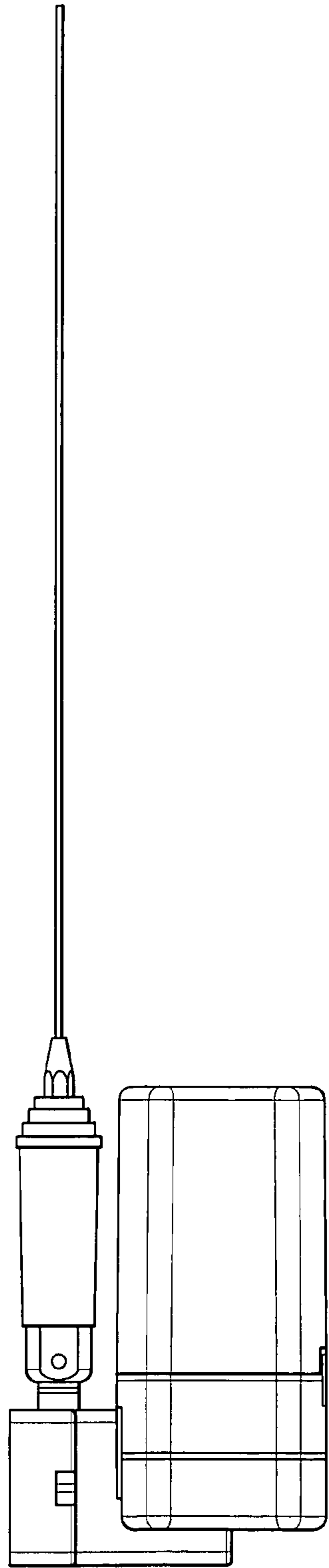


Fig. 5

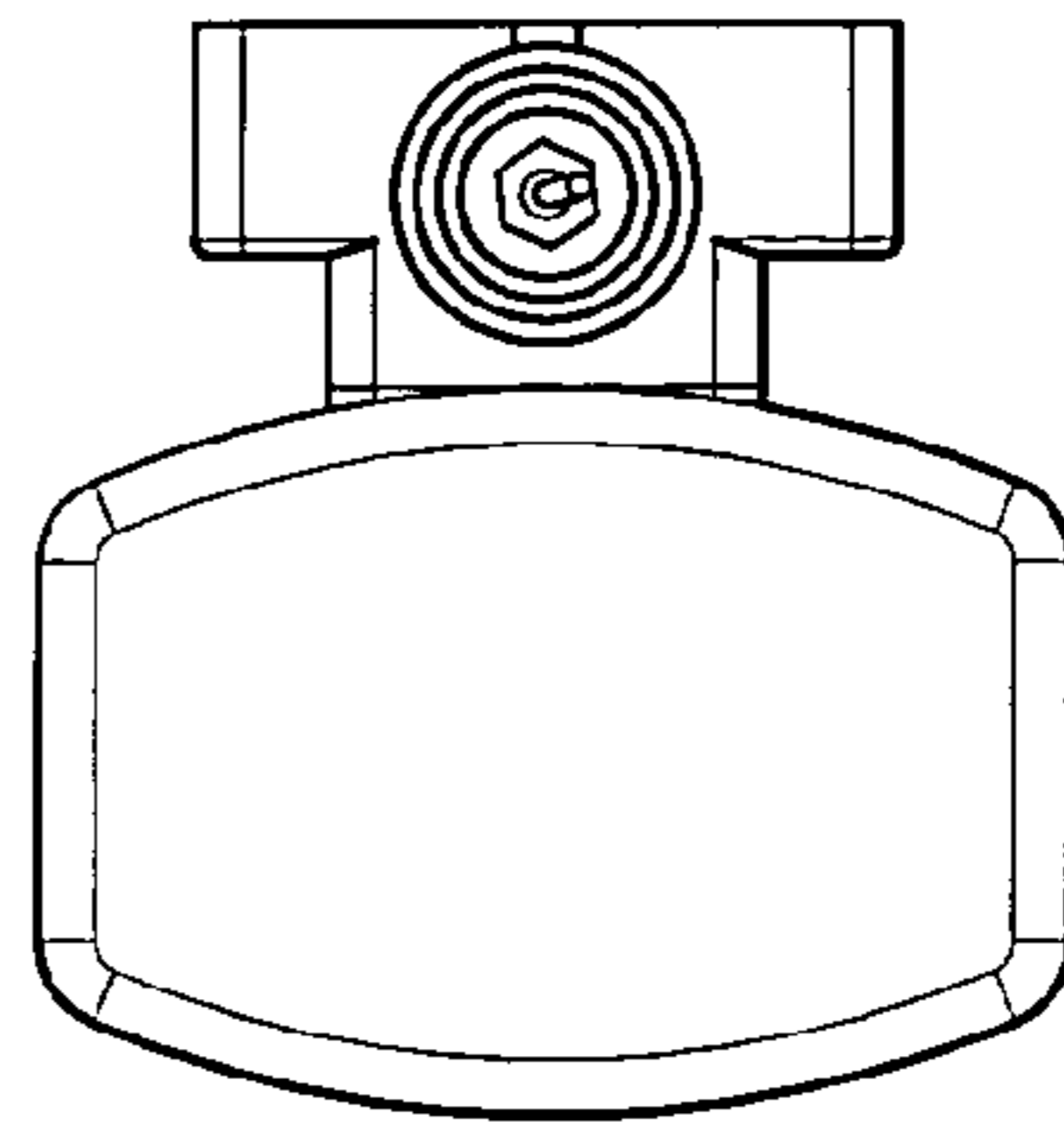


Fig. 6

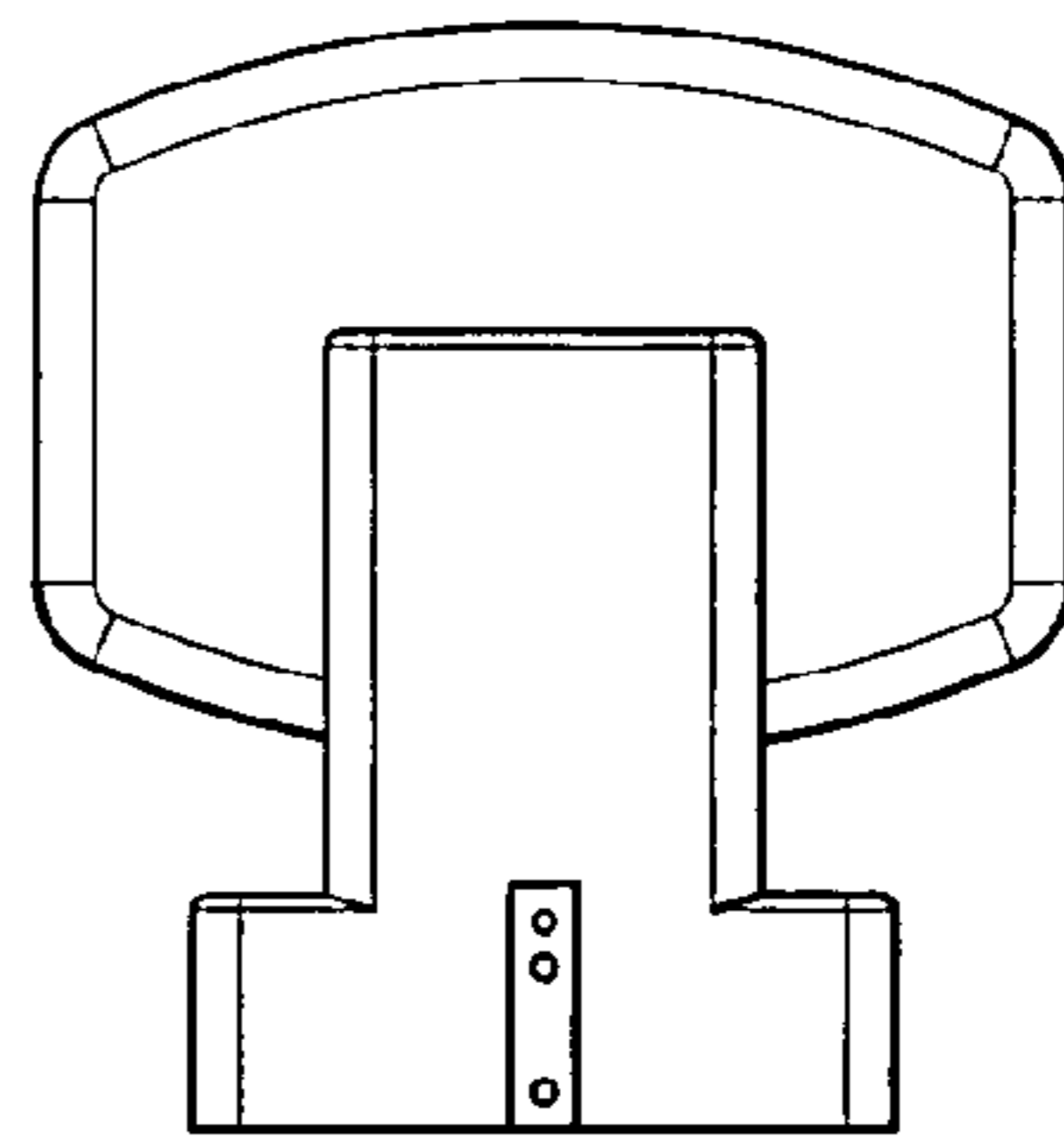


Fig. 7