



US00D608672S

(12) **United States Design Patent**
Goldman et al.

(10) **Patent No.:** **US D608,672 S**
(45) **Date of Patent:** **** Jan. 26, 2010**

(54) **MOTION DETECTOR**

(75) Inventors: **Yizhaq Goldman**, Holon (IL); **Ran Litvak**, Tel Aviv (IL); **Yoav Tikochinsky**, Tel Aviv (IL)

(73) Assignee: **Visonic Ltd.**, Tel Aviv (IL)

(**) Term: **14 Years**

(21) Appl. No.: **29/330,663**

(22) Filed: **Jan. 12, 2009**

(51) **LOC (9) Cl.** **10-05**

(52) **U.S. Cl.** **D10/106**

(58) **Field of Classification Search** D10/104,
D10/106; 340/521, 540, 541, 542, 543, 544,
340/545, 555, 556, 558, 571, 572, 573; 392/423;
134/21; 362/276; 428/192; D26/51, 68
See application file for complete search history.

(56) **References Cited**

U.S. PATENT DOCUMENTS

D312,053 S * 11/1990 Jacobs et al. D10/106

D413,277 S * 8/1999 Scheibe D10/106

* cited by examiner

Primary Examiner—Caron Veynar

Assistant Examiner—George D Kirschbaum

(74) *Attorney, Agent, or Firm*—Lahive & Cockfield, LLP;
Giulio A. DeConti, Jr., Esq.; Anthony A. Laurentano, Esq.

(57) **CLAIM**

The ornamental design for an motion detector or the like, as shown and described.

DESCRIPTION

FIG. 1 is a front perspective view of an motion detector;

FIG. 2 is a top perspective view thereof;

FIG. 3 is a right view thereof;

FIG. 4 is a left view thereof;

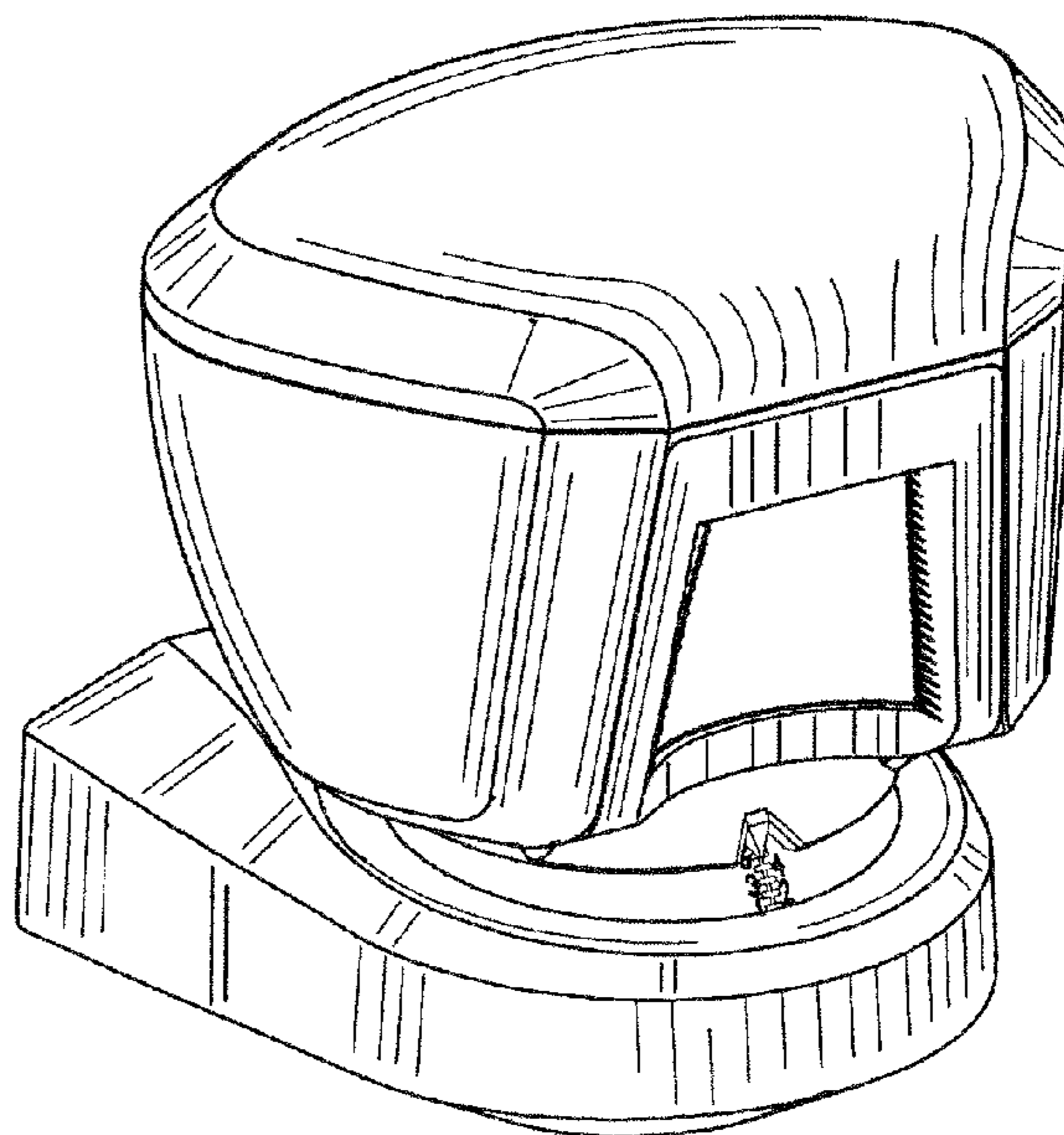
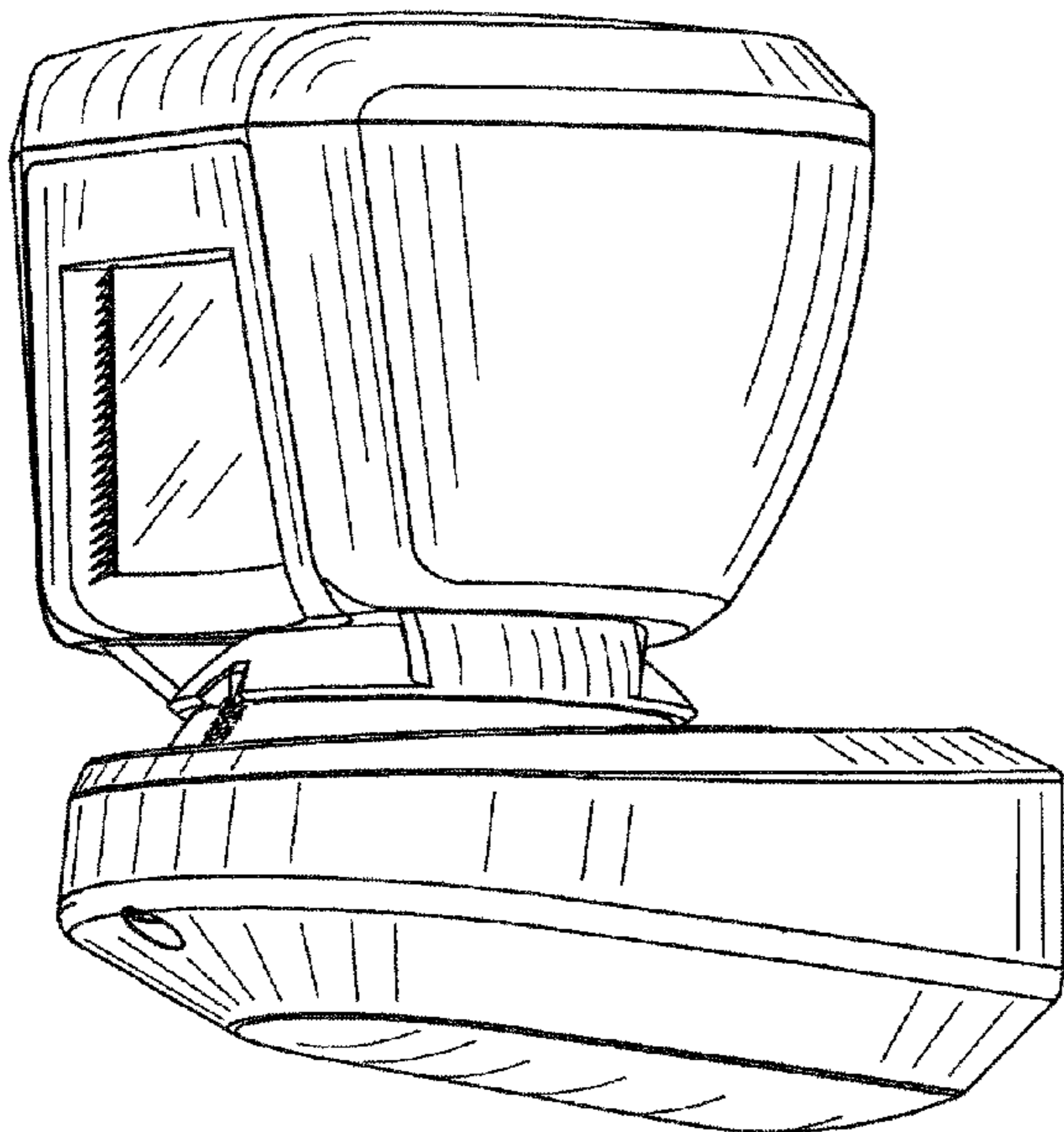
FIG. 5 is a front view thereof;

FIG. 6 is a rear view thereof;

FIG. 7 is a top view thereof; and,

FIG. 8 is a bottom view thereof.

1 Claim, 4 Drawing Sheets



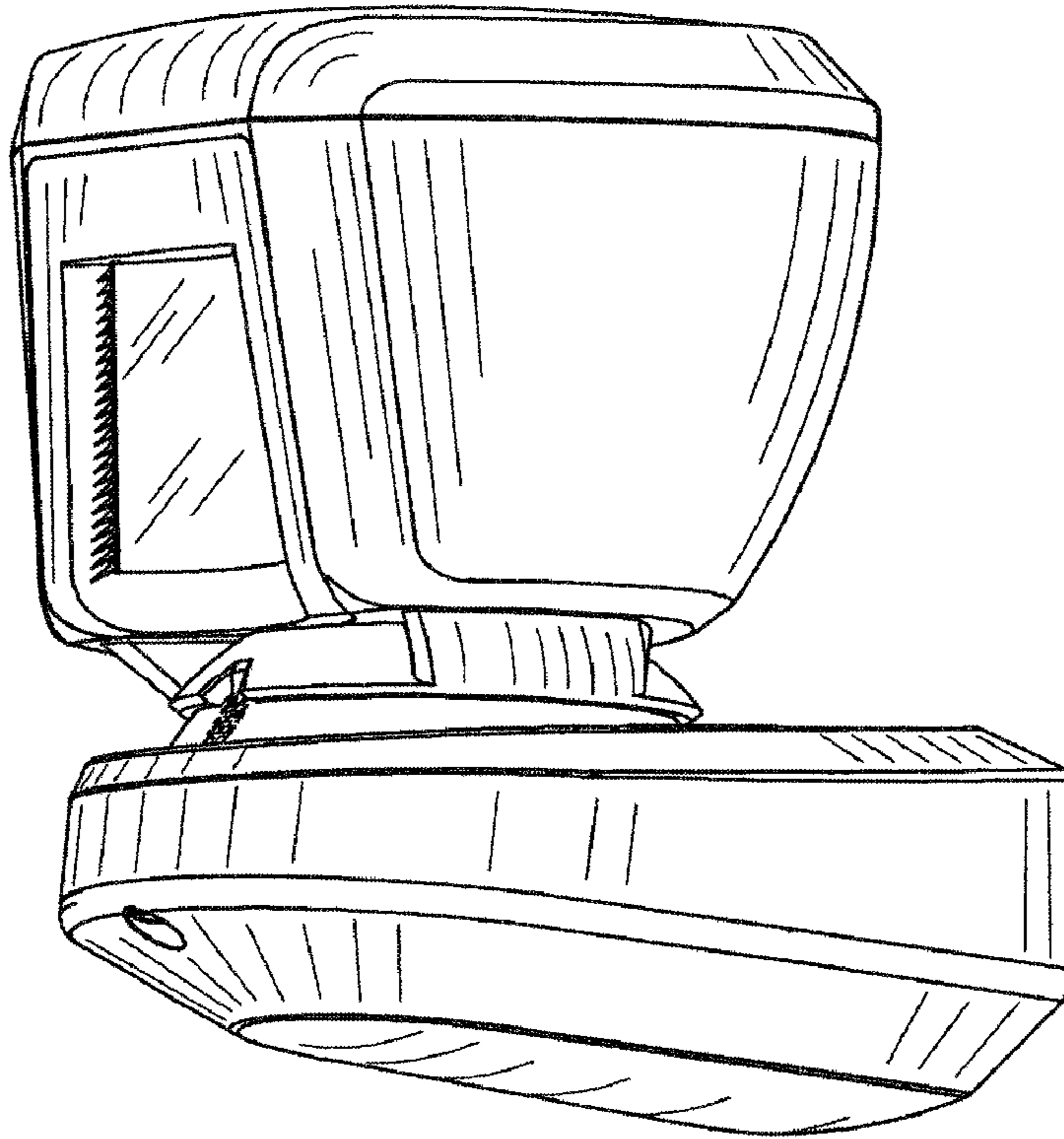


FIG. 1

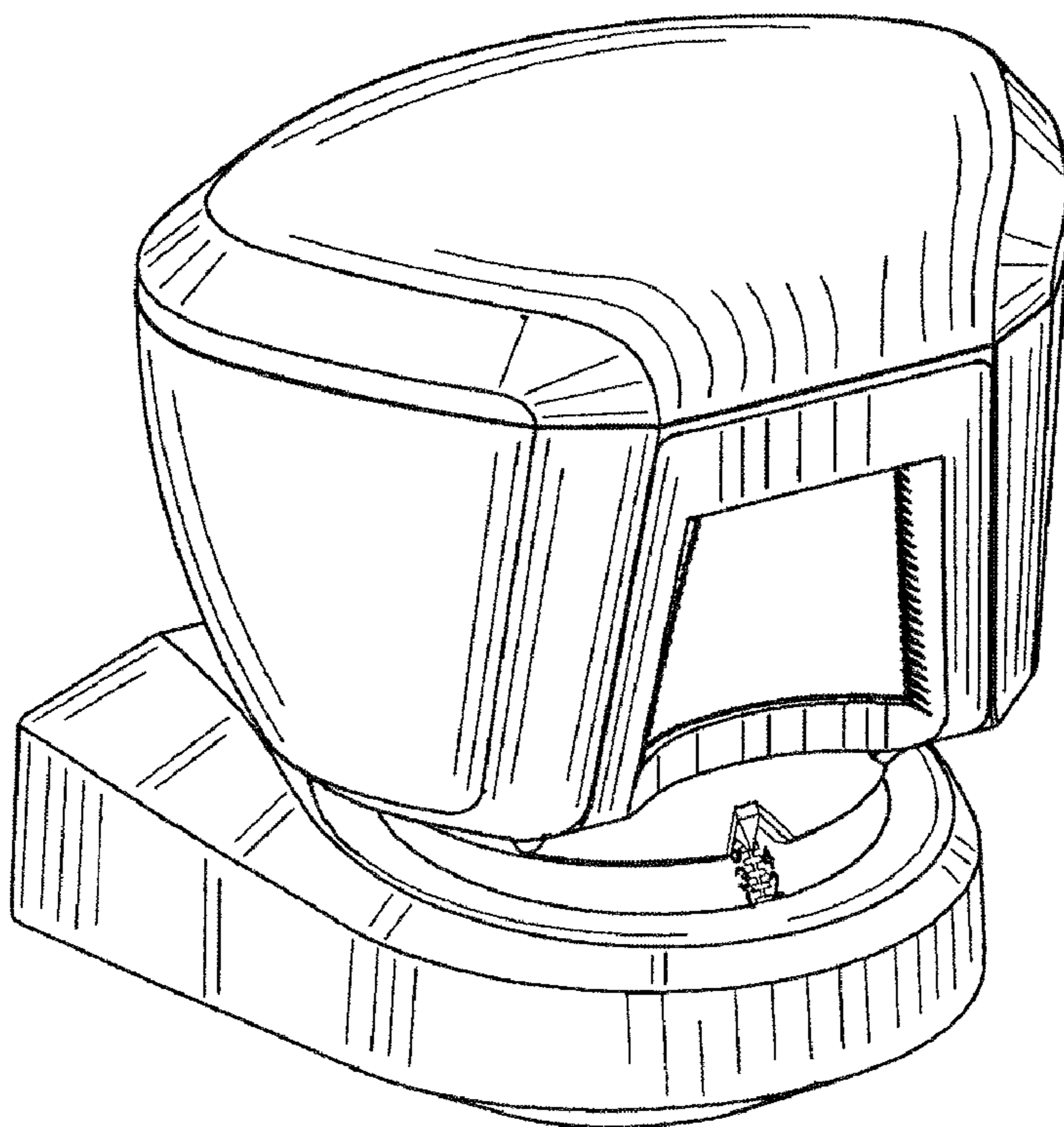


FIG. 2

FIG. 3

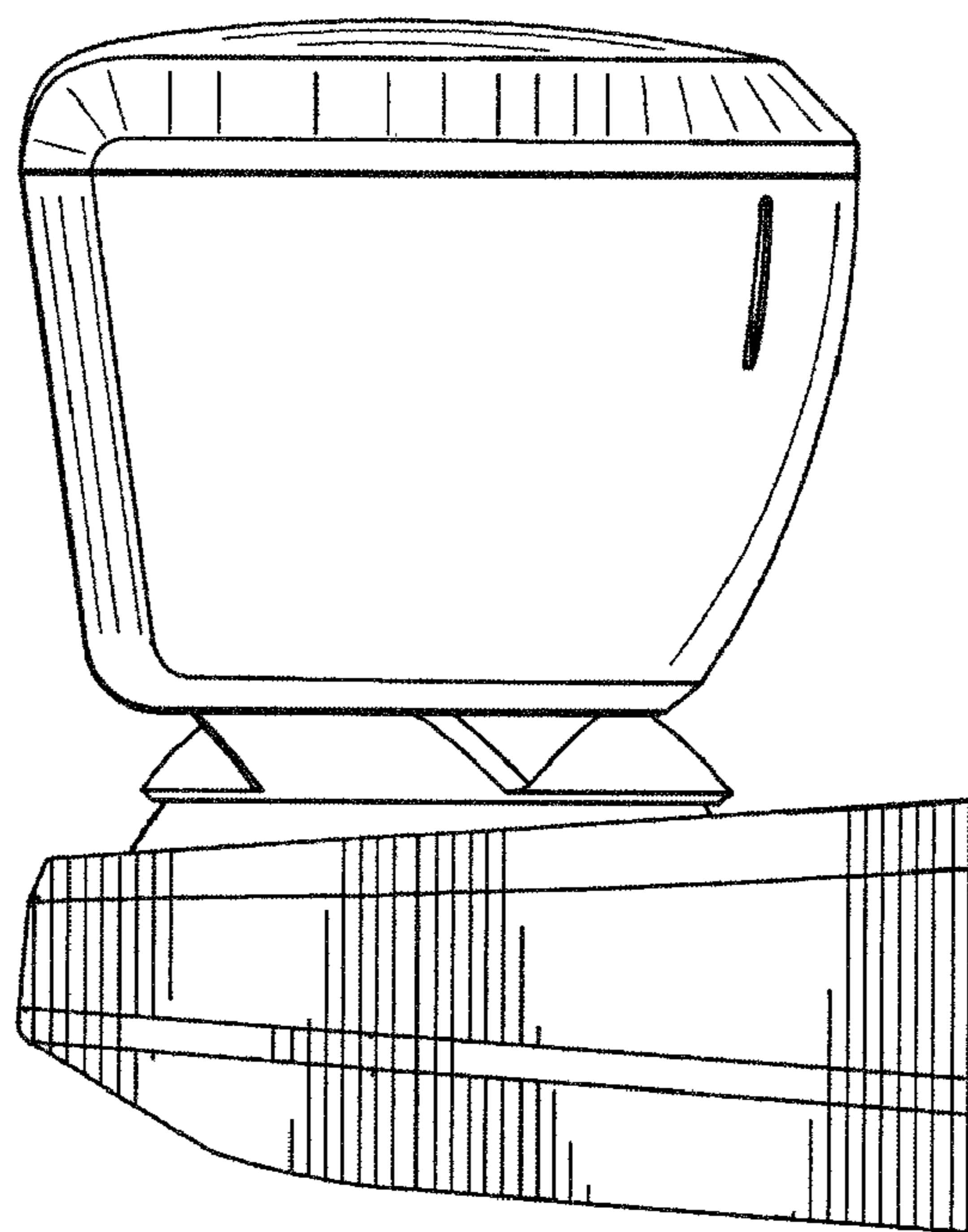


FIG. 4

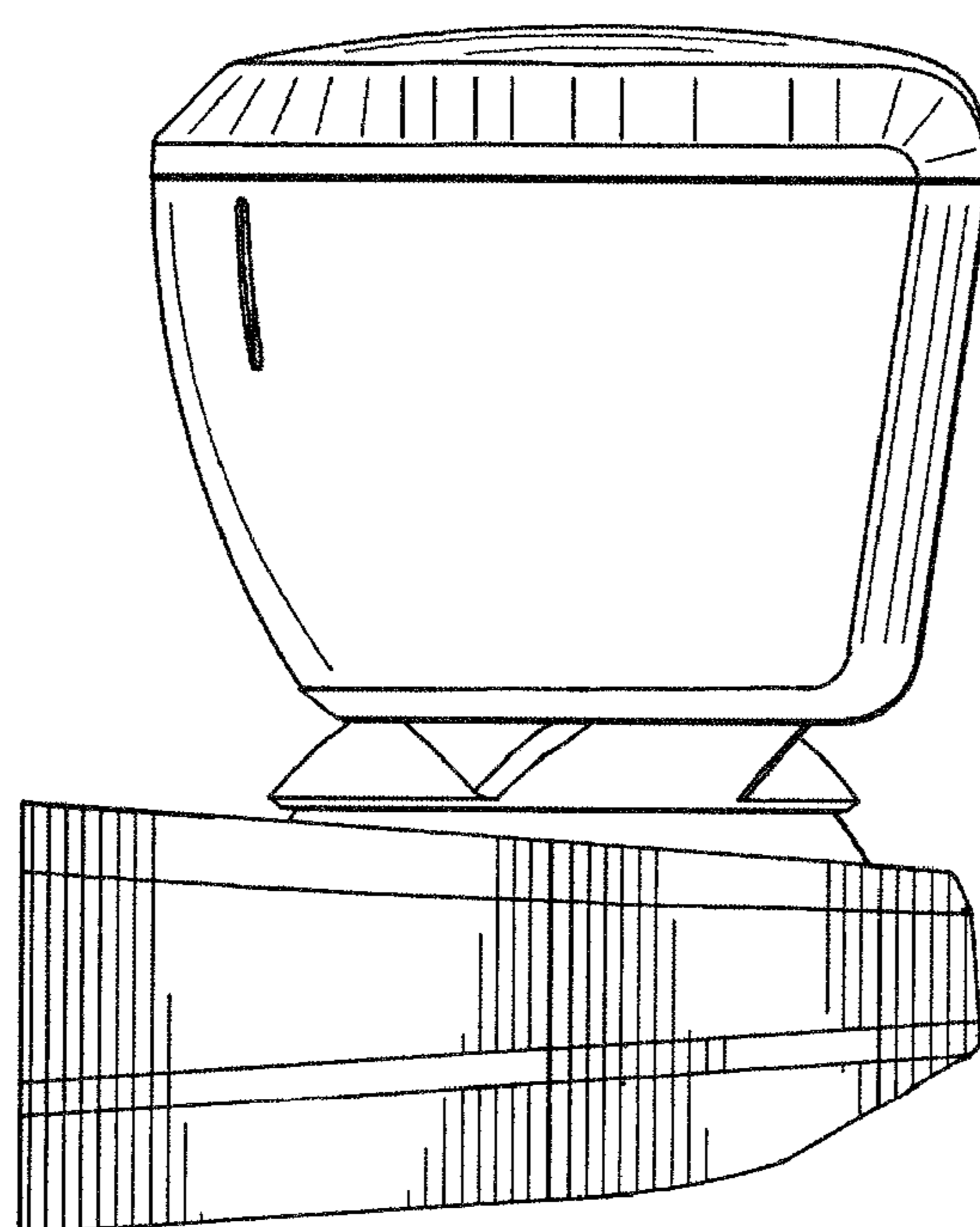


FIG. 5

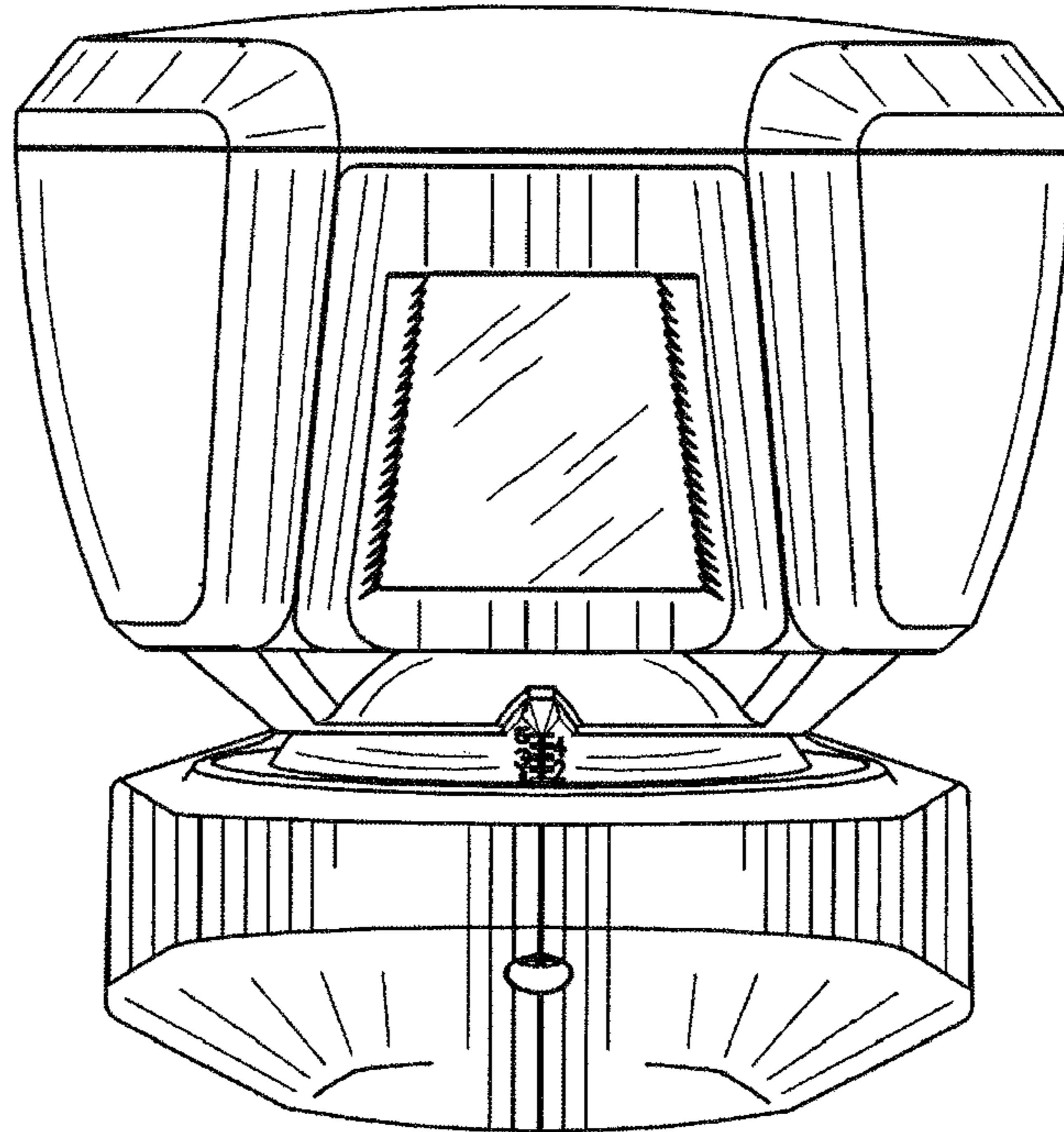


FIG. 6

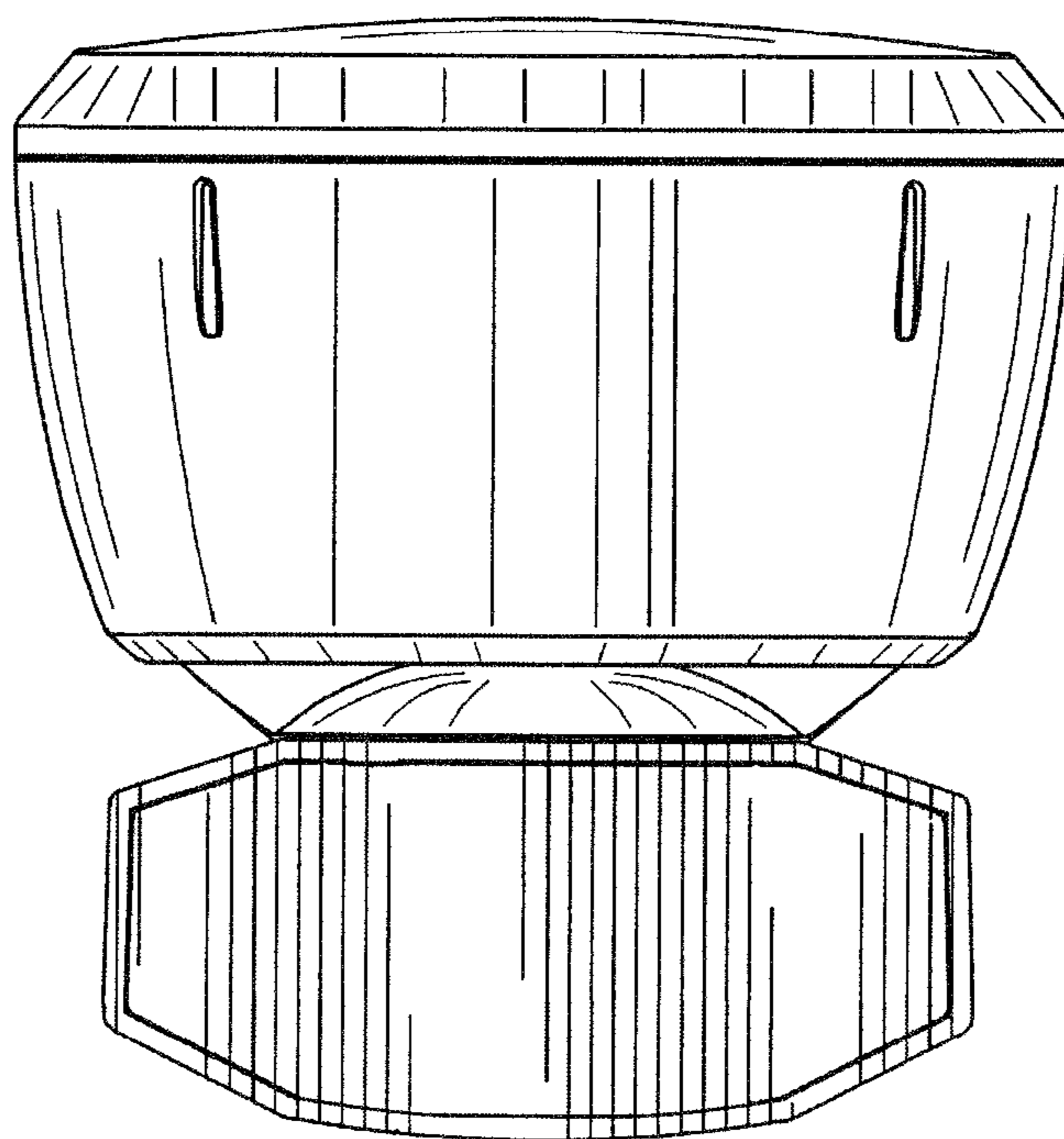


FIG. 7

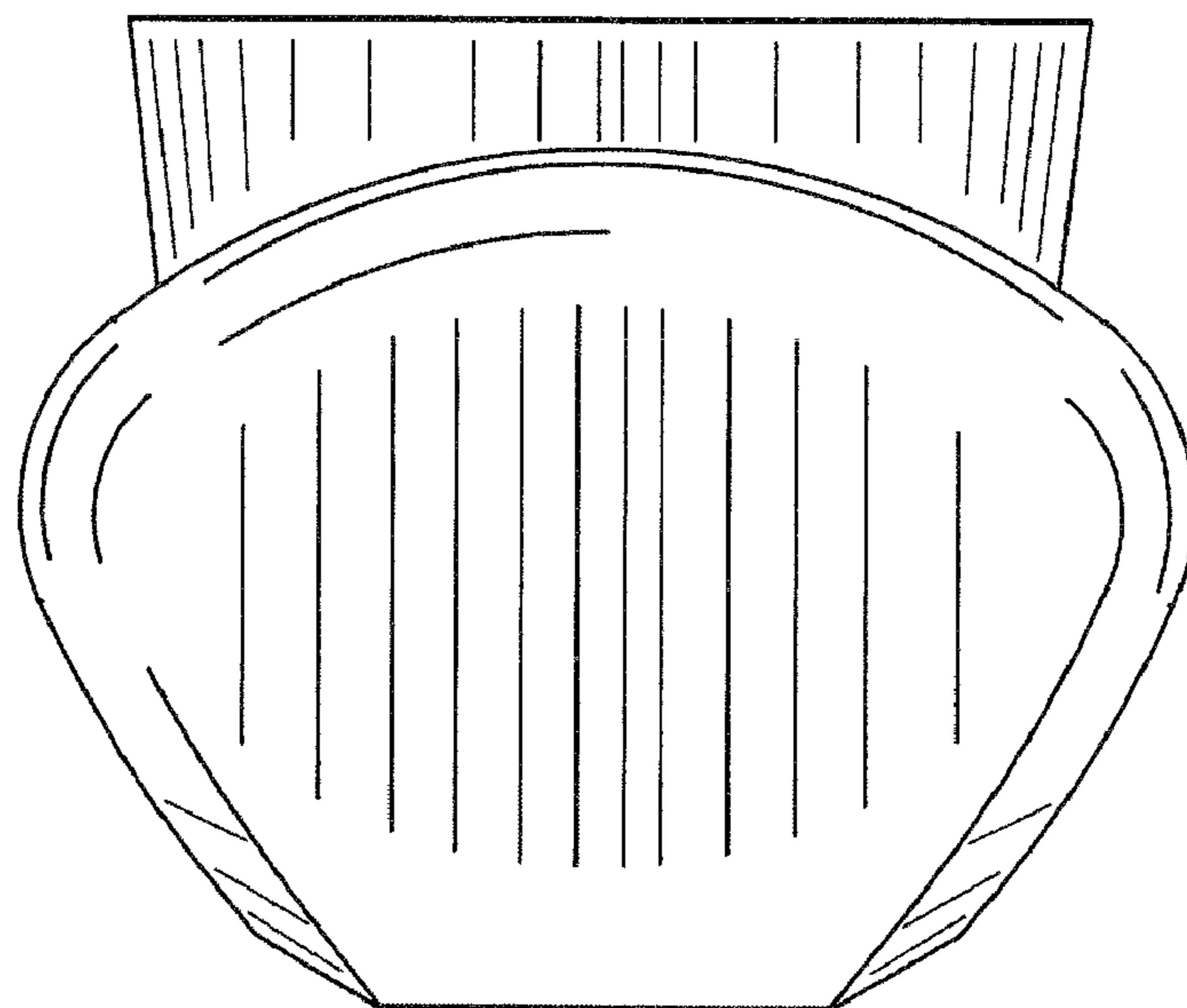


FIG. 8

