



US00D608671S

(12) **United States Design Patent**  
**Treharne**

(10) **Patent No.:** **US D608,671 S**

(45) **Date of Patent:** **\*\* Jan. 26, 2010**

(54) **CARBON MONOXIDE SMOKE ALARM**

(75) Inventor: **David Treharne**, Coventry (GB)

(73) Assignee: **FireAngel, Limited** (GB)

(\*\*) Term: **14 Years**

(21) Appl. No.: **29/330,569**

(22) Filed: **Jan. 9, 2009**

(51) **LOC (9) Cl.** ..... **10-05**

(52) **U.S. Cl.** ..... **D10/106**

(58) **Field of Classification Search** ..... D10/104,  
D10/106; 340/521, 540, 541, 542, 543, 544,  
340/545, 555, 556, 558, 571, 572, 573; 392/423;  
134/21; 362/276; 428/192

See application file for complete search history.

(56) **References Cited**

**U.S. PATENT DOCUMENTS**

D271,670 S \* 12/1983 Takai et al. .... D10/106

D453,304 S \* 2/2002 Job ..... D10/106

D485,200 S \* 1/2004 Berthold et al. .... D10/106

\* cited by examiner

*Primary Examiner*—Caron Veynar

*Assistant Examiner*—George D Kirschbaum

(74) *Attorney, Agent, or Firm*—Young Law Firm, P.C.

(57) **CLAIM**

The ornamental design for a carbon monoxide smoke alarm, as shown.

**DESCRIPTION**

FIG. 1 is a plan view of the carbon monoxide smoke alarm according to the present invention.

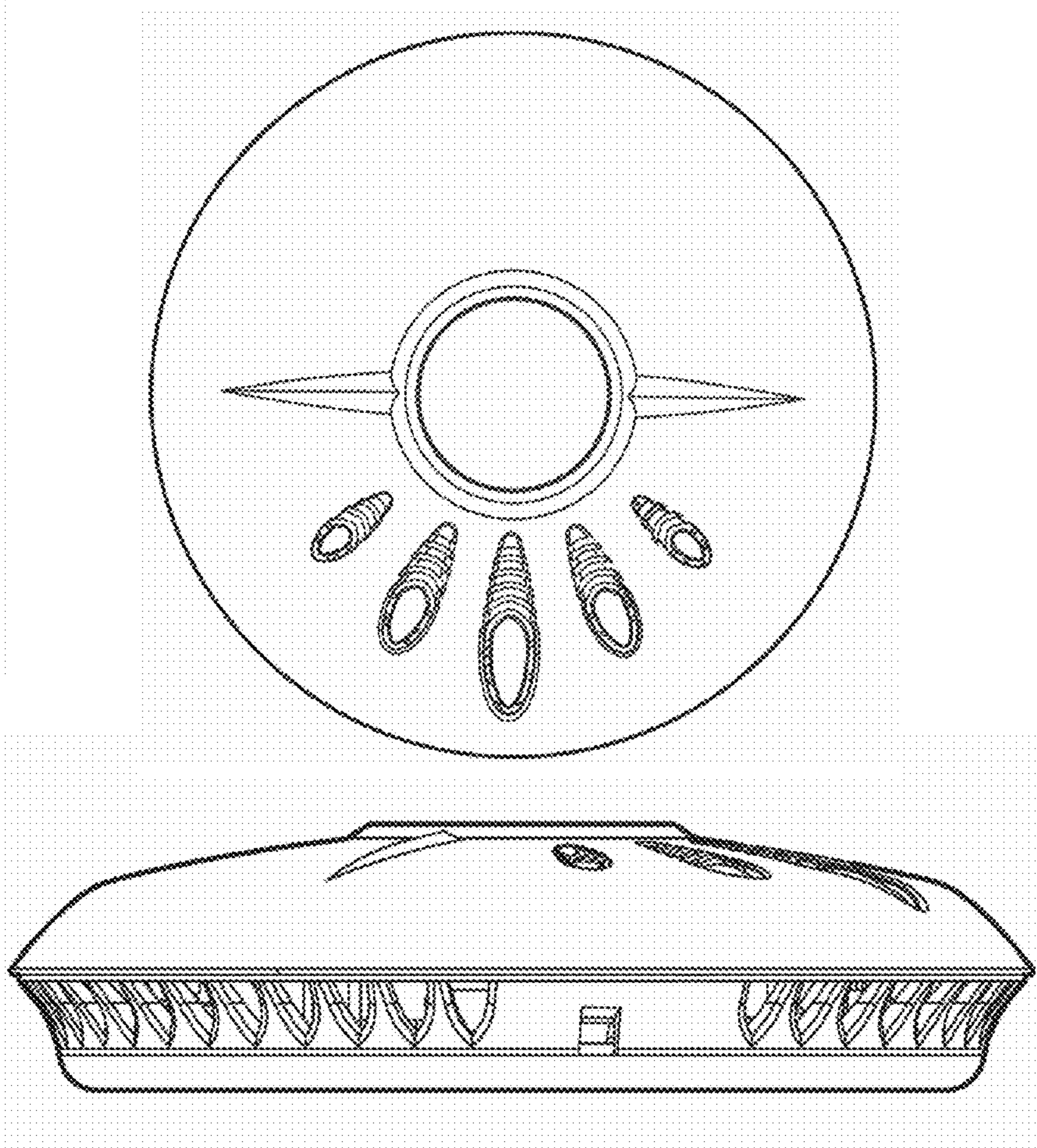
FIG. 2 is a side view of the carbon monoxide smoke alarm of FIG. 1.

FIG. 3 is a front perspective view of the carbon monoxide smoke alarm of FIG. 1.

FIG. 4 is another front perspective view of the carbon monoxide smoke alarm of FIG. 1; and,

FIG. 5 is a rear perspective view of the carbon monoxide smoke alarm of FIG. 1.

**1 Claim, 5 Drawing Sheets**



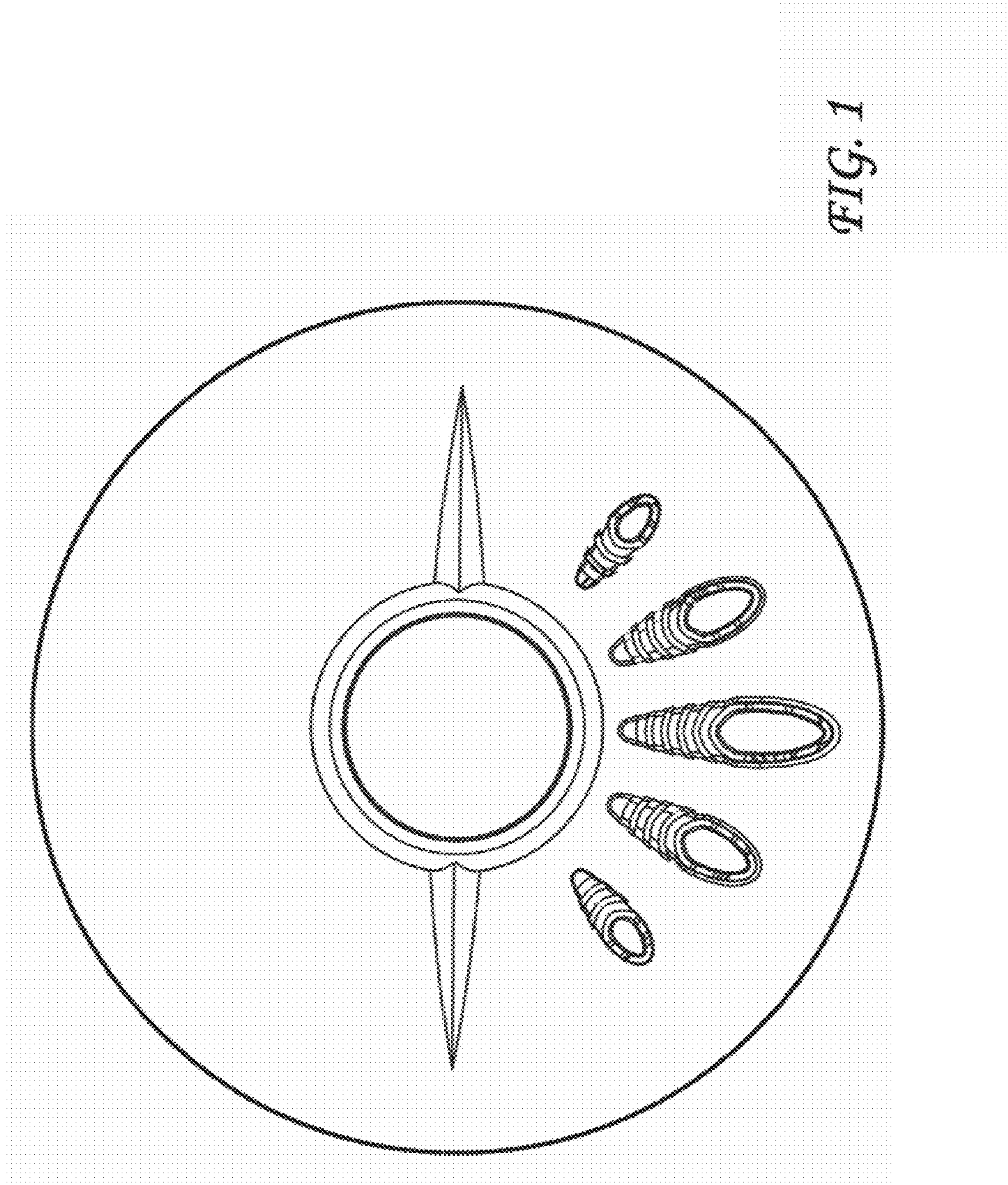


FIG. 1

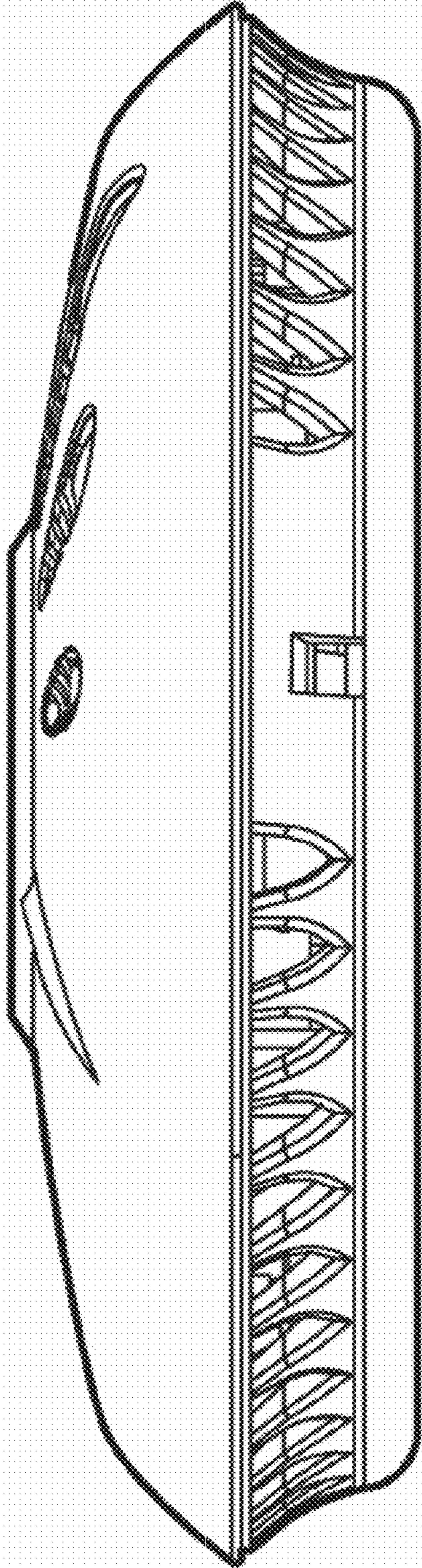


FIG. 2

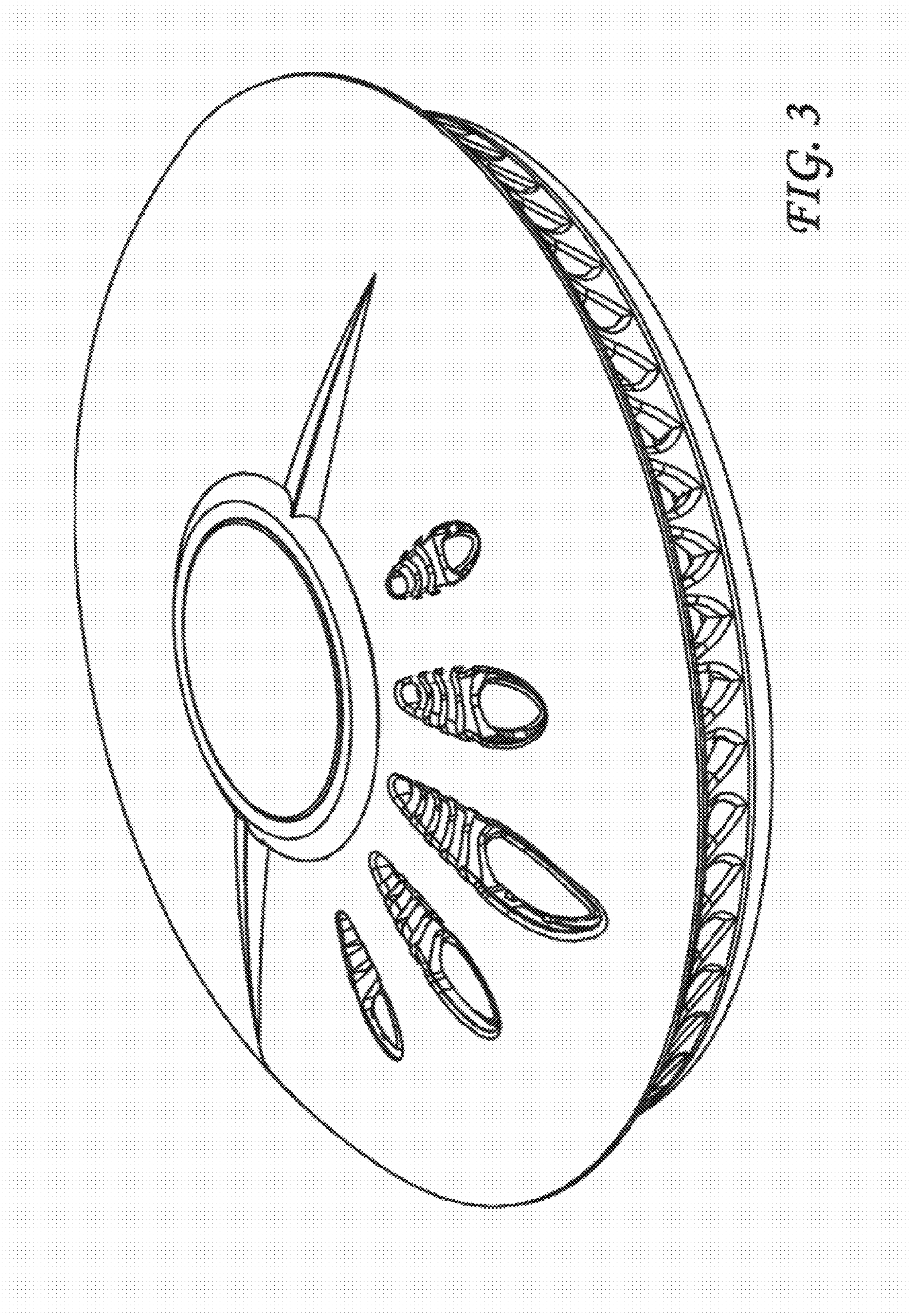


FIG. 3

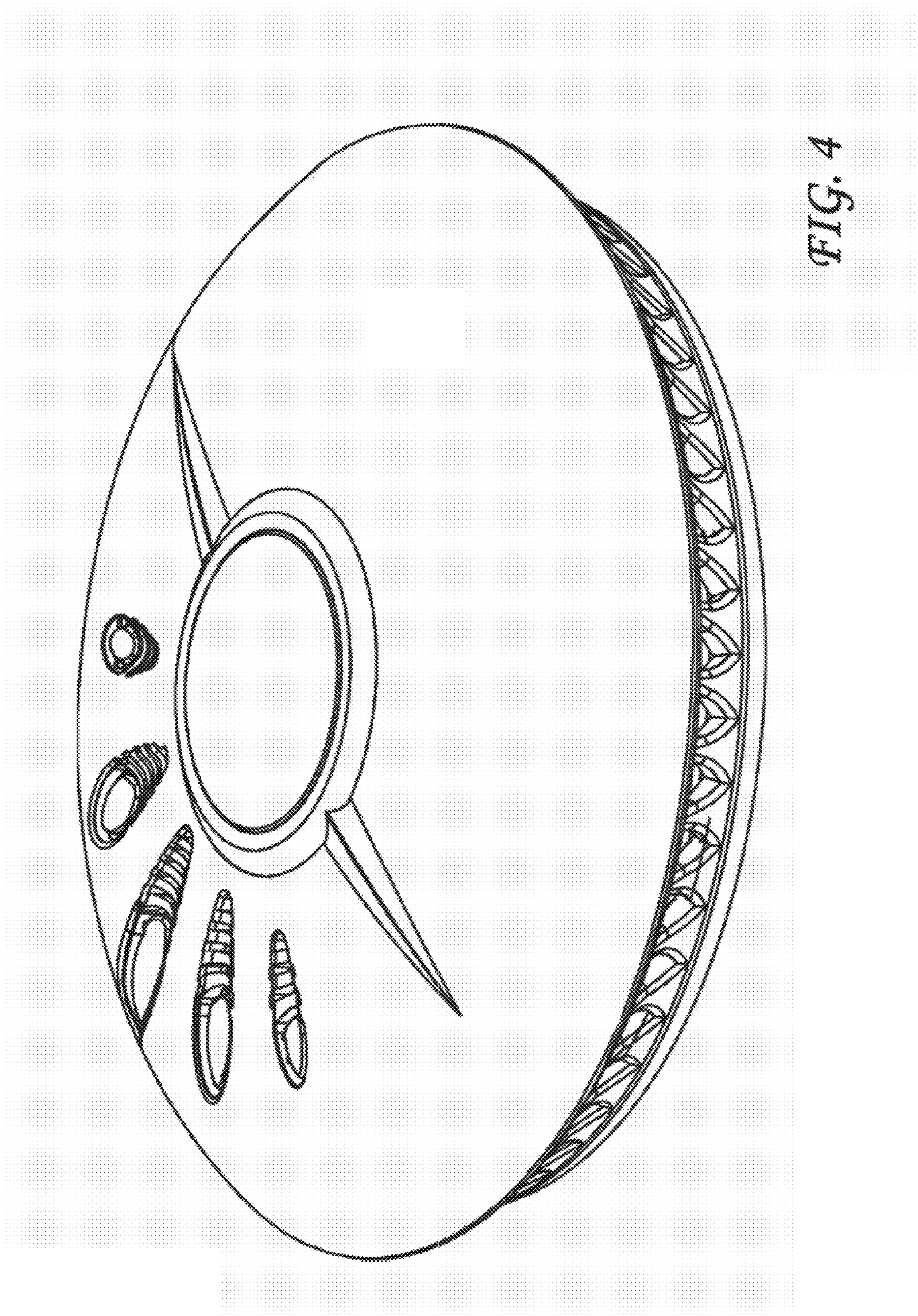


FIG. 4

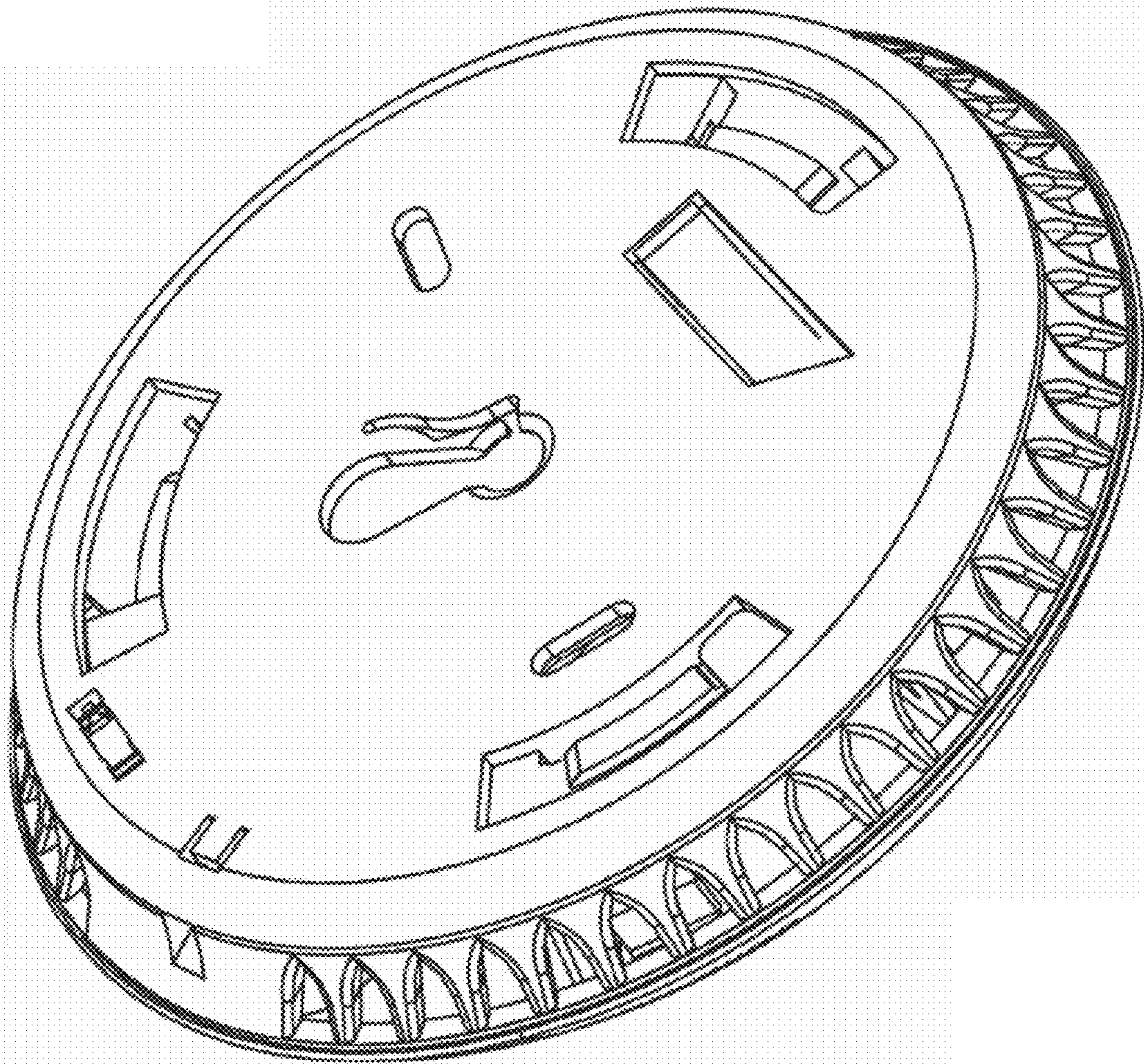


FIG. 5