



US00D608665S

(12) **United States Design Patent**
Perrenoud

(10) **Patent No.:** **US D608,665 S**

(45) **Date of Patent:** **** Jan. 26, 2010**

(54) **WRIST WATCH**

(75) Inventor: **Xavier Perrenoud**, La Chaux-de-Fonds
(CH)

(73) Assignee: **Swarovski Aktiengesellschaft**, Triesen
(LI)

(**) Term: **14 Years**

(21) Appl. No.: **29/338,861**

(22) Filed: **Jun. 19, 2009**

(30) **Foreign Application Priority Data**

Dec. 22, 2008 (EM) 001060966-0002

(51) **LOC (9) Cl.** **10-02**

(52) **U.S. Cl.** **D10/38**

(58) **Field of Classification Search** D10/30-39,
D10/128; 368/276, 281, 282, 285, 294, 295
See application file for complete search history.

(56) **References Cited**

U.S. PATENT DOCUMENTS

- D297,817 S * 9/1988 Guan D10/30
- D325,528 S * 4/1992 Schneider D10/32
- D331,884 S * 12/1992 Wunderman D10/32
- D336,440 S * 6/1993 Favre D10/32
- D348,844 S * 7/1994 Franchi D10/39
- D349,653 S * 8/1994 Giardiello D10/30

- D362,634 S * 9/1995 Bulgari D10/39
- D370,856 S * 6/1996 Krieger D10/32
- D379,768 S * 6/1997 Osit D10/30
- D380,698 S * 7/1997 Paredes D10/128
- D445,344 S * 7/2001 Haquet D10/30
- D447,063 S * 8/2001 Scheufele D10/30
- D484,815 S * 1/2004 Baumann D10/32
- D507,984 S * 8/2005 Pibouleau D10/128
- D554,538 S * 11/2007 Galliano D10/32
- D588,475 S * 3/2009 Calvani D10/39

* cited by examiner

Primary Examiner—Lucy Lieberman

(74) *Attorney, Agent, or Firm*—Wenderoth, Lind & Ponack,
L.L.P.

(57) **CLAIM**

The ornamental design for a wrist watch, as shown.

DESCRIPTION

FIG. 1 is a front elevation of a wrist watch showing my new design;

FIG. 2 is a left side view thereof;

FIG. 3 is a top view thereof;

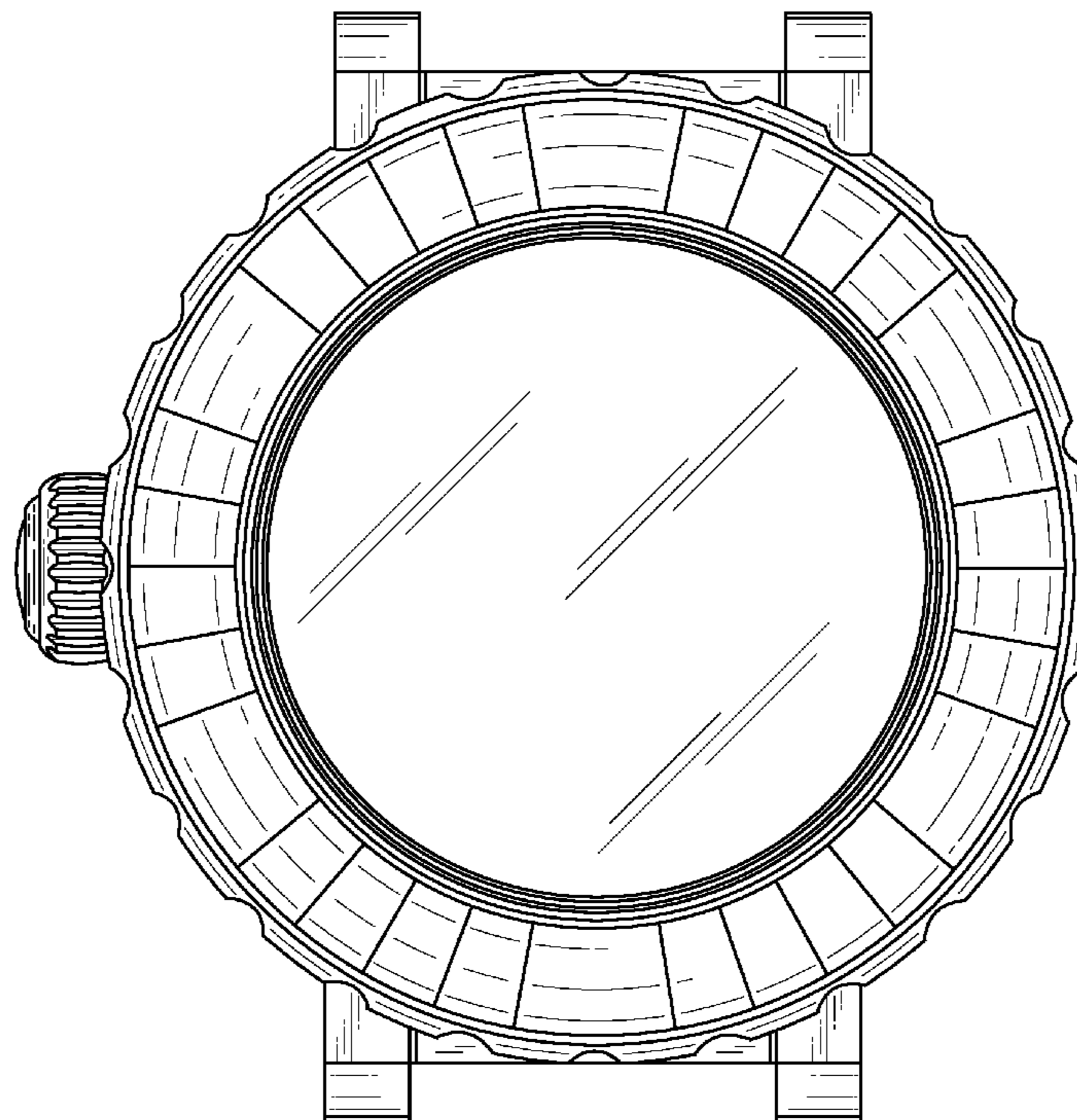
FIG. 4 is a bottom view thereof;

FIG. 5 is a rear view thereof;

FIG. 6 is a right side view thereof; and,

FIG. 7 is a perspective view thereof.

1 Claim, 4 Drawing Sheets



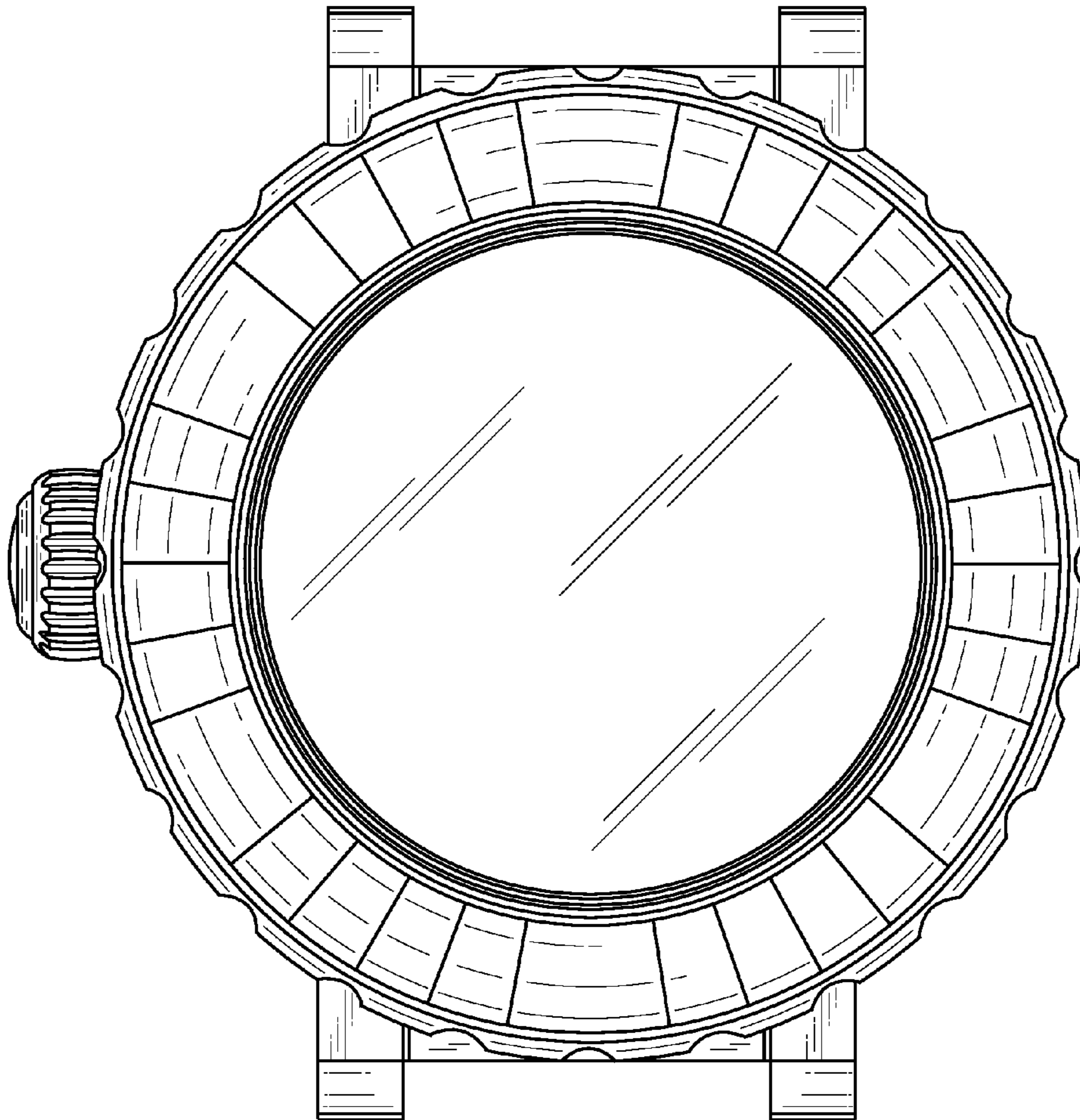


FIG. 1

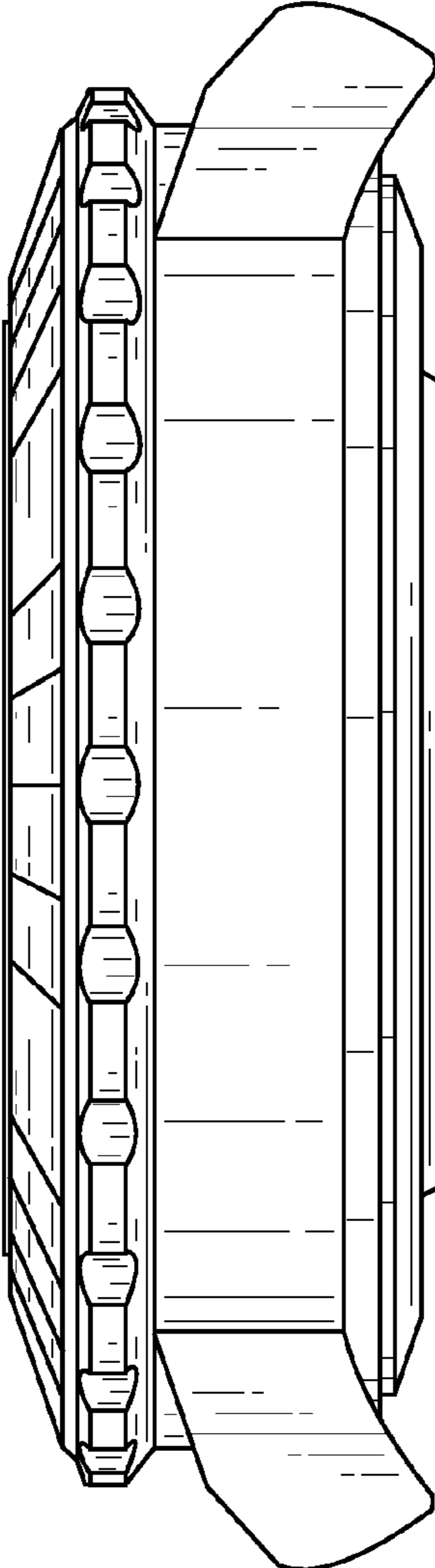


FIG. 2

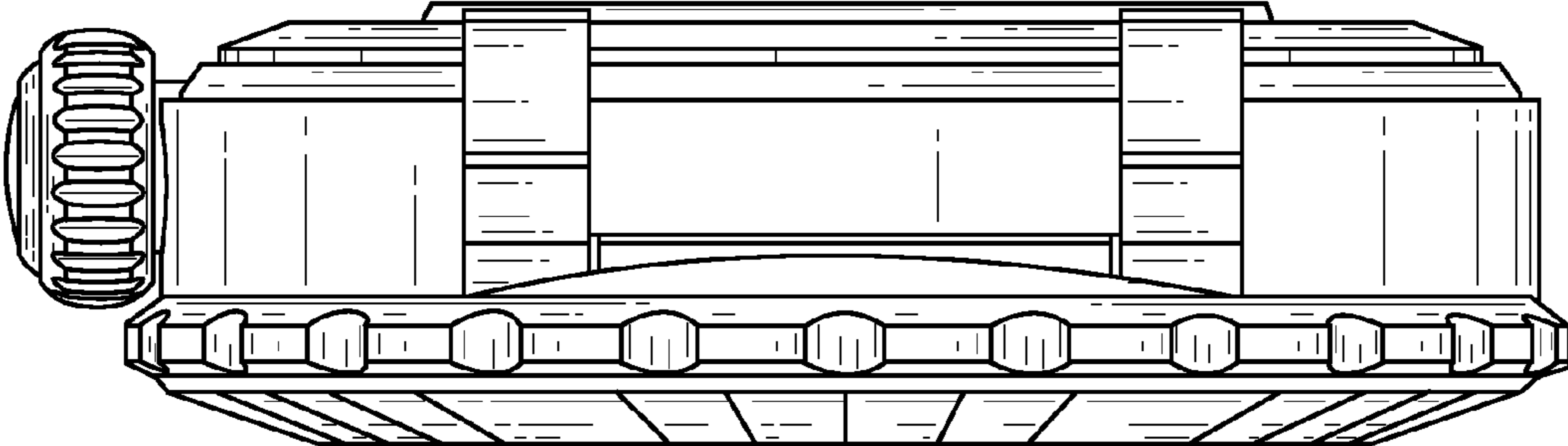


FIG. 3

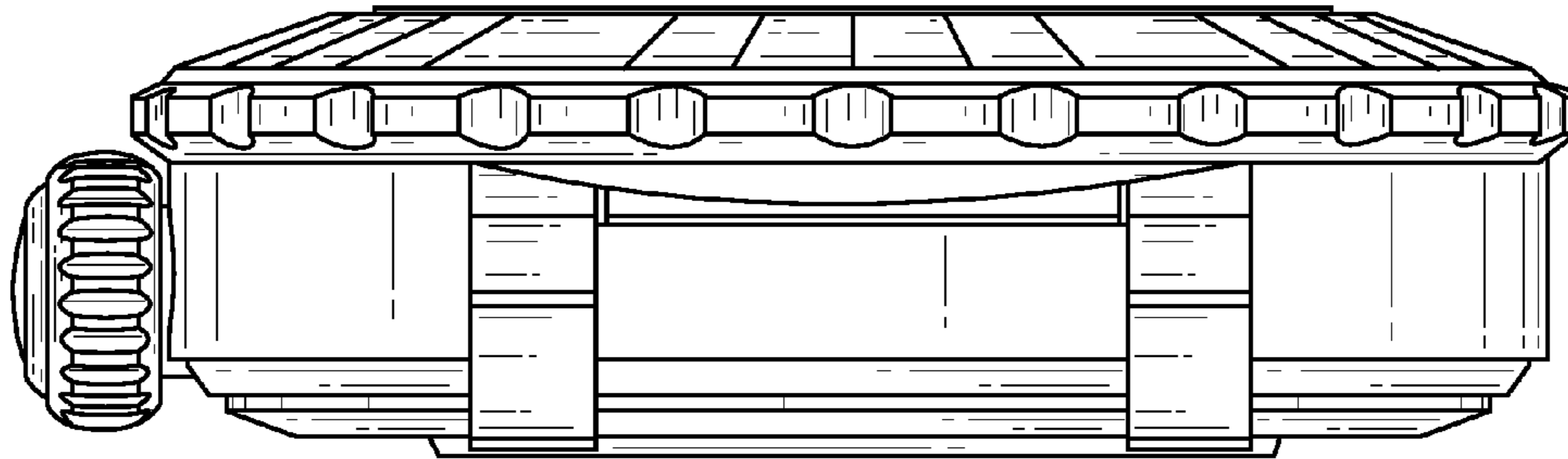


FIG. 4

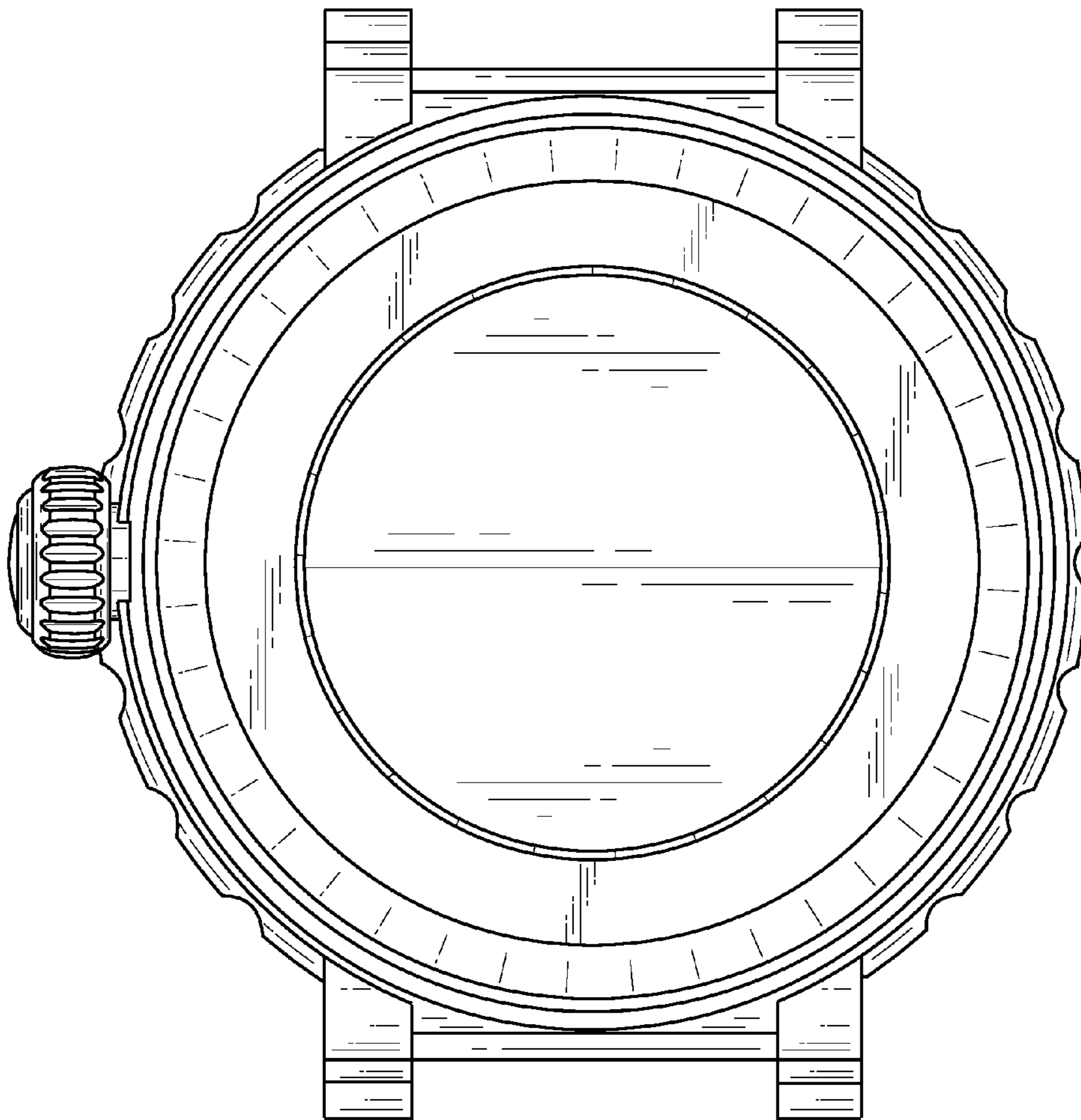


FIG. 5

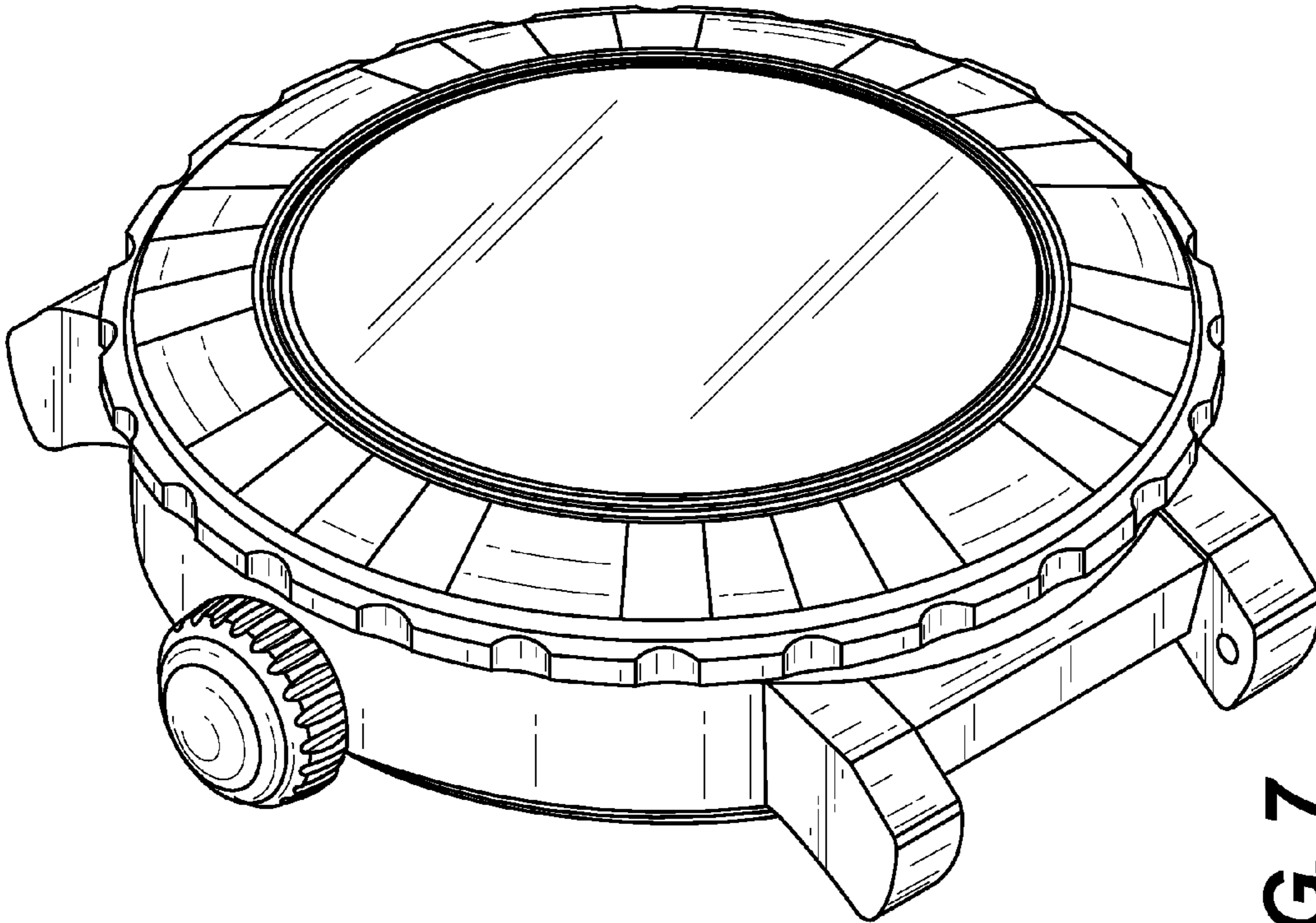


FIG. 7

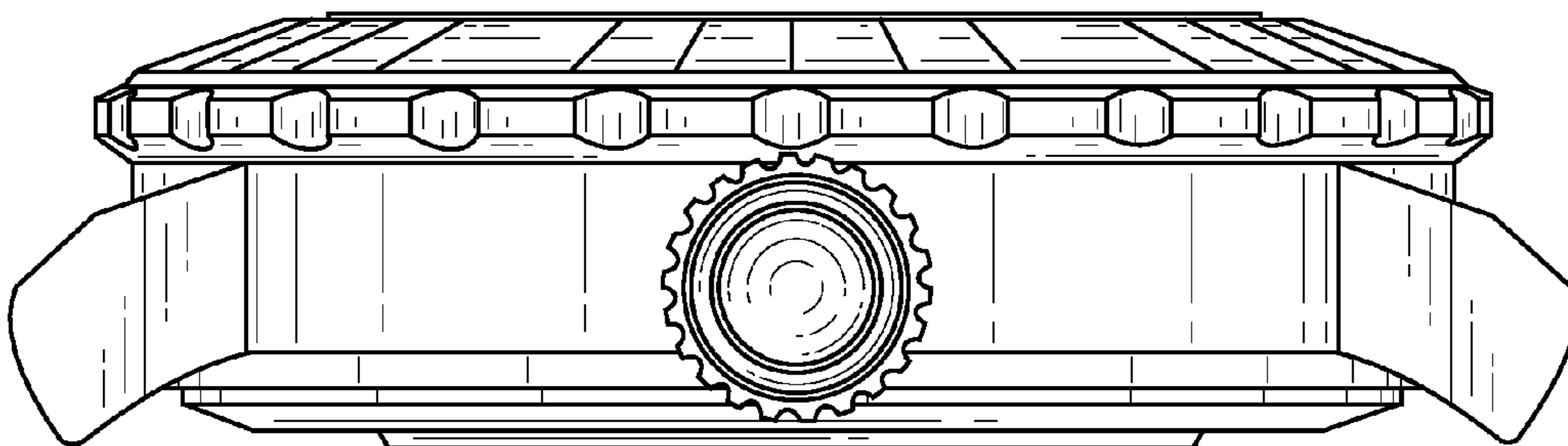


FIG. 6