



US00D608663S

(12) **United States Design Patent**  
**Kimura**

(10) **Patent No.:** **US D608,663 S**  
(45) **Date of Patent:** **\*\* Jan. 26, 2010**

(54) **WATCH CASE WITH A STRAP**

(75) Inventor: **Masayuki Kimura**, Chiba (JP)

(73) Assignee: **Seiko Instruments Inc.**, Chiba (JP)

(\*\*) Term: **14 Years**

(21) Appl. No.: **29/336,426**

(22) Filed: **May 4, 2009**

(51) **LOC (9) Cl.** ..... **10-02**

(52) **U.S. Cl.** ..... **D10/38**

(58) **Field of Classification Search** ..... D10/30-39;  
368/276, 281, 282, 285, 82-84, 239-242,  
368/223

See application file for complete search history.

(56) **References Cited**

**U.S. PATENT DOCUMENTS**

D269,546 S *	6/1983	Rogers et al.	.....	D24/186
D394,391 S *	5/1998	Bruce et al.	.....	D10/30
D394,394 S *	5/1998	Bruce et al.	.....	D10/30
D404,658 S *	1/1999	Hanagata	.....	D10/30
D407,030 S *	3/1999	Toyoshima et al.	.....	D10/39
5,912,865 A *	6/1999	Ortega	.....	368/276
D435,462 S *	12/2000	Chung	.....	D10/32
D439,527 S *	3/2001	Kennedy	.....	D10/30
D443,220 S *	6/2001	Robinette	.....	D10/128
D445,041 S *	7/2001	Tan et al.	.....	D10/32
D447,977 S *	9/2001	Tan et al.	.....	D10/128
D449,997 S *	11/2001	Blauner et al.	.....	D10/30
D451,818 S *	12/2001	Riley	.....	D10/30
D454,078 S *	3/2002	Koo	.....	D10/32
D456,275 S *	4/2002	Blauner et al.	.....	D10/30
D471,469 S *	3/2003	Vanderbeek et al.	.....	D10/30
D472,478 S *	4/2003	Tan et al.	.....	D10/30

D472,819 S *	4/2003	Streltsov	.....	D10/30
D472,820 S *	4/2003	Ditullo et al.	.....	D10/30
D486,075 S *	2/2004	Frank	.....	D10/38
D493,371 S *	7/2004	Streltsov	.....	D10/30
D503,115 S *	3/2005	Goto et al.	.....	D10/32
D513,998 S *	1/2006	Emery et al.	.....	D10/32
D526,580 S *	8/2006	Burton	.....	D10/38
D527,281 S *	8/2006	Kojima et al.	.....	D10/32
D528,018 S *	9/2006	Burton	.....	D10/38
D528,438 S *	9/2006	Burton	.....	D10/32
D544,375 S *	6/2007	Burton	.....	D10/32
D546,206 S *	7/2007	Burton	.....	D10/38

\* cited by examiner

*Primary Examiner*—Lucy Lieberman

(74) *Attorney, Agent, or Firm*—Finnegan, Henderson, Farabow, Garrett & Dunner, L.L.P.

(57) **CLAIM**

The ornamental design for a watch case with a strap, as shown and described.

**DESCRIPTION**

FIG. 1 is a perspective view of the top, front and right side of a watch case with a strap showing my new design;

FIG. 2 is a front view thereof;

FIG. 3 is a rear view thereof;

FIG. 4 is a left side view thereof;

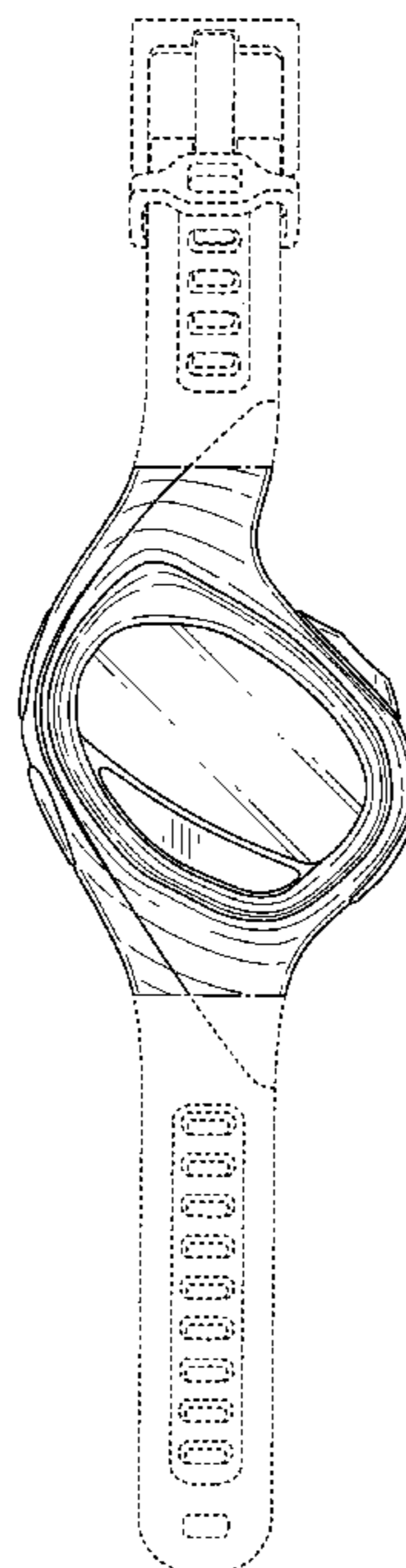
FIG. 5 is a right side view thereof;

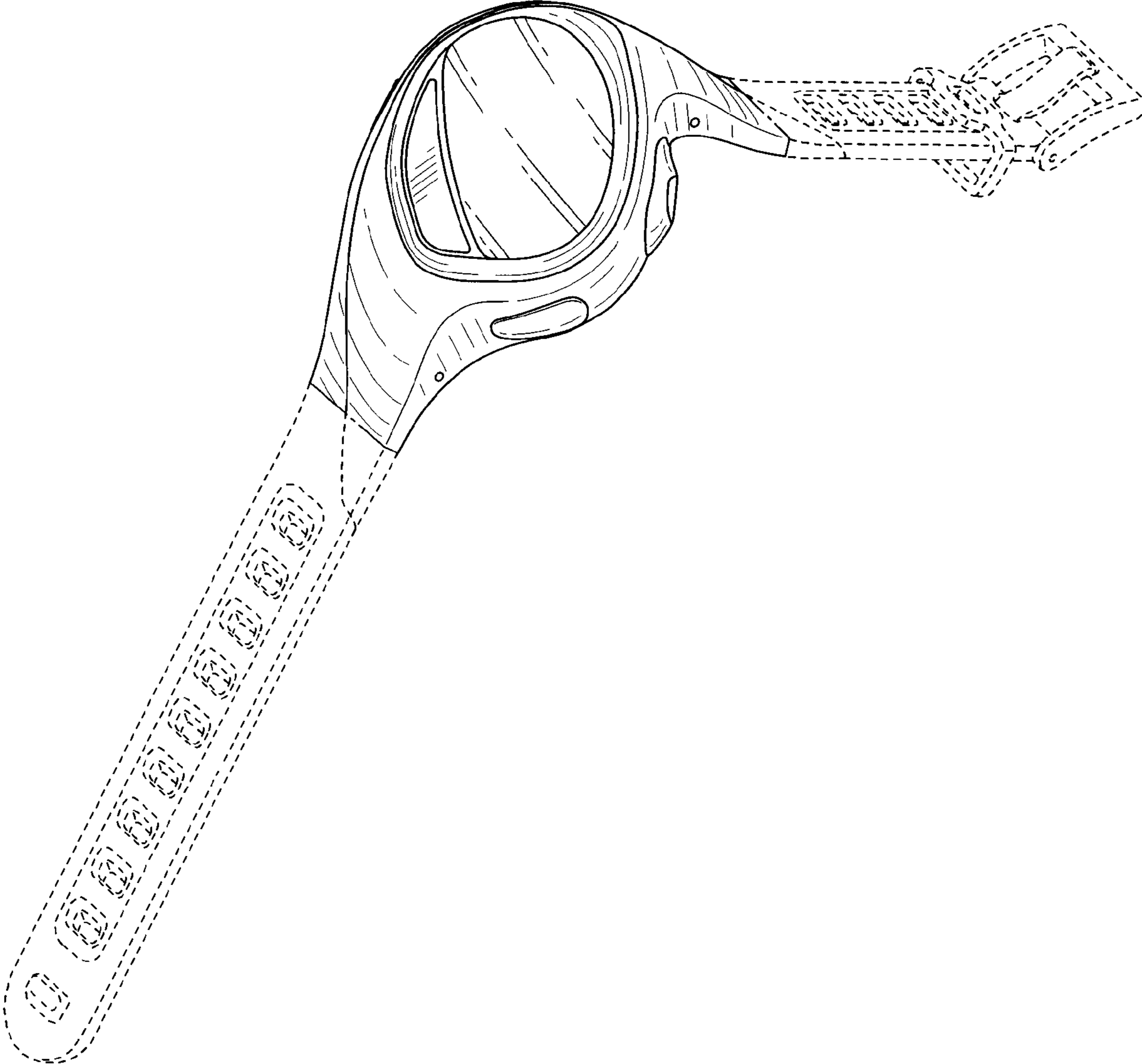
FIG. 6 is a top plan view thereof; and,

FIG. 7 is a bottom view thereof.

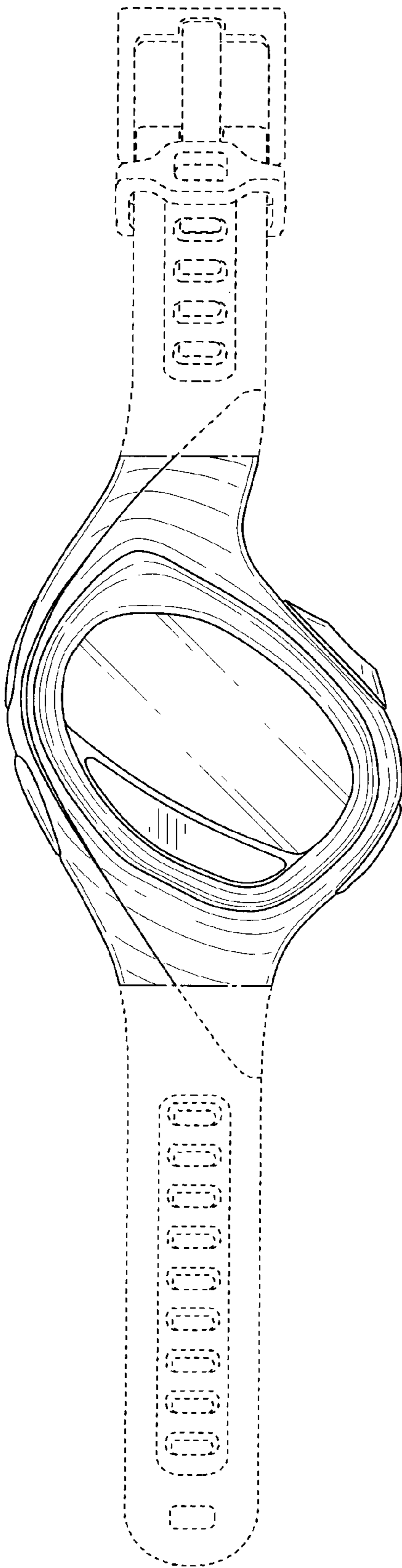
The portion of the article in broken lines are shown for illustrative purposes only and form no part of the claimed design.

**1 Claim, 5 Drawing Sheets**

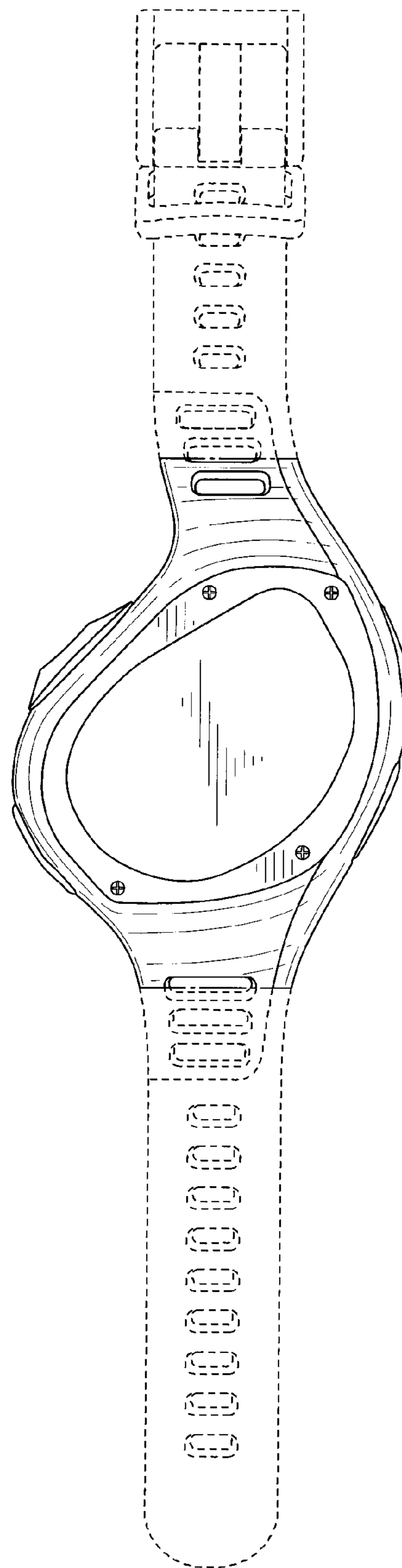




*FIG. 1*



**FIG. 2**



**FIG. 3**

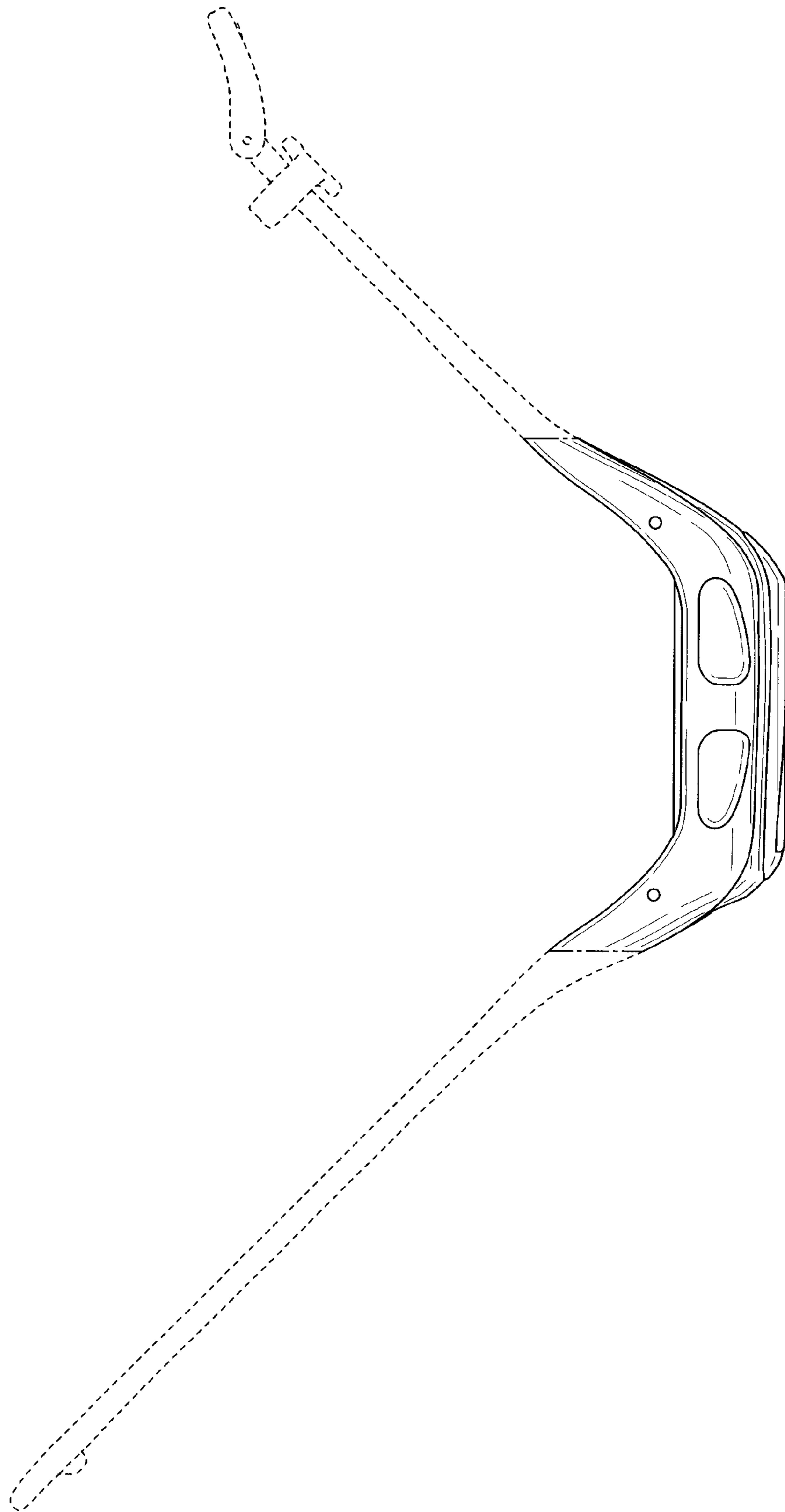
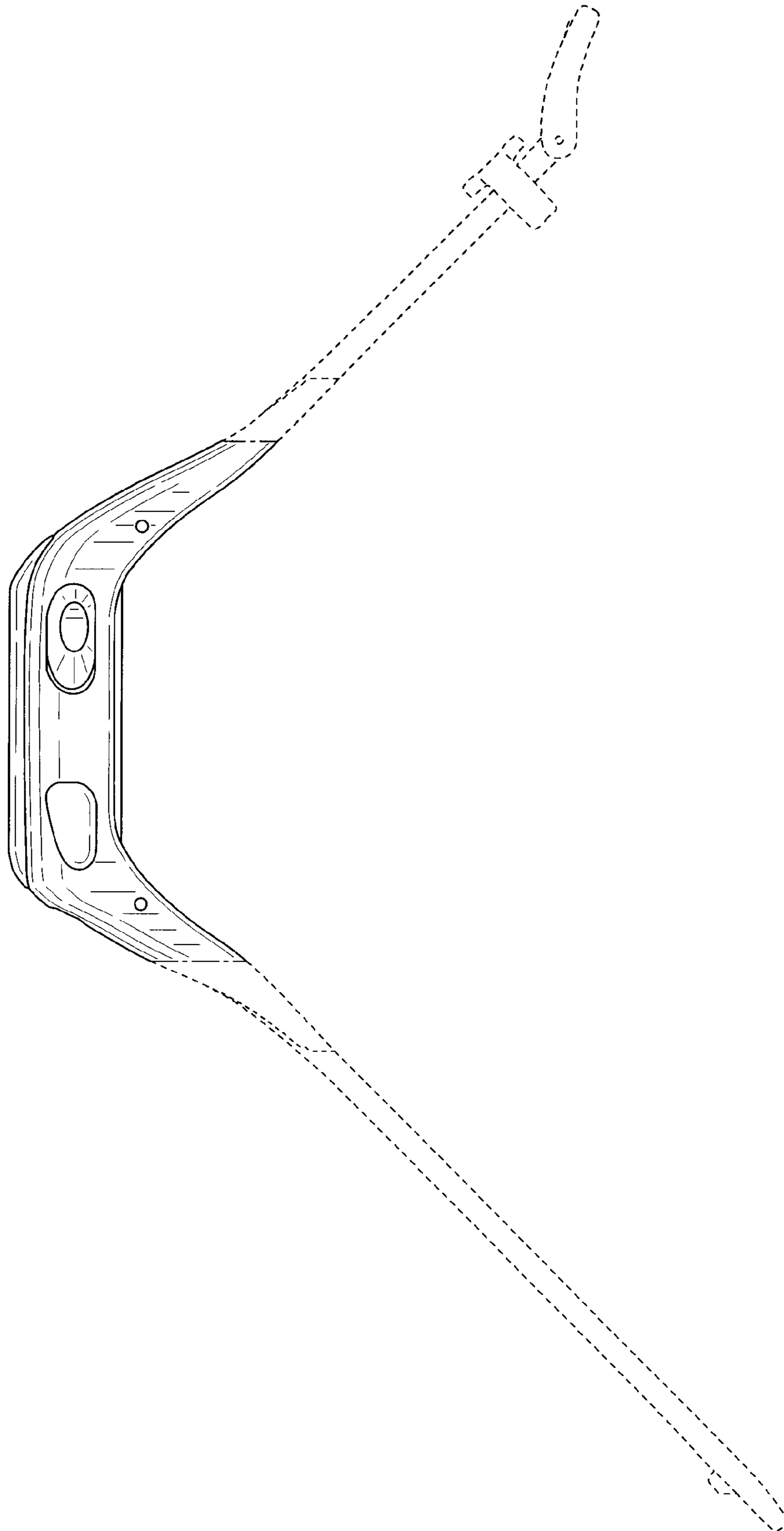
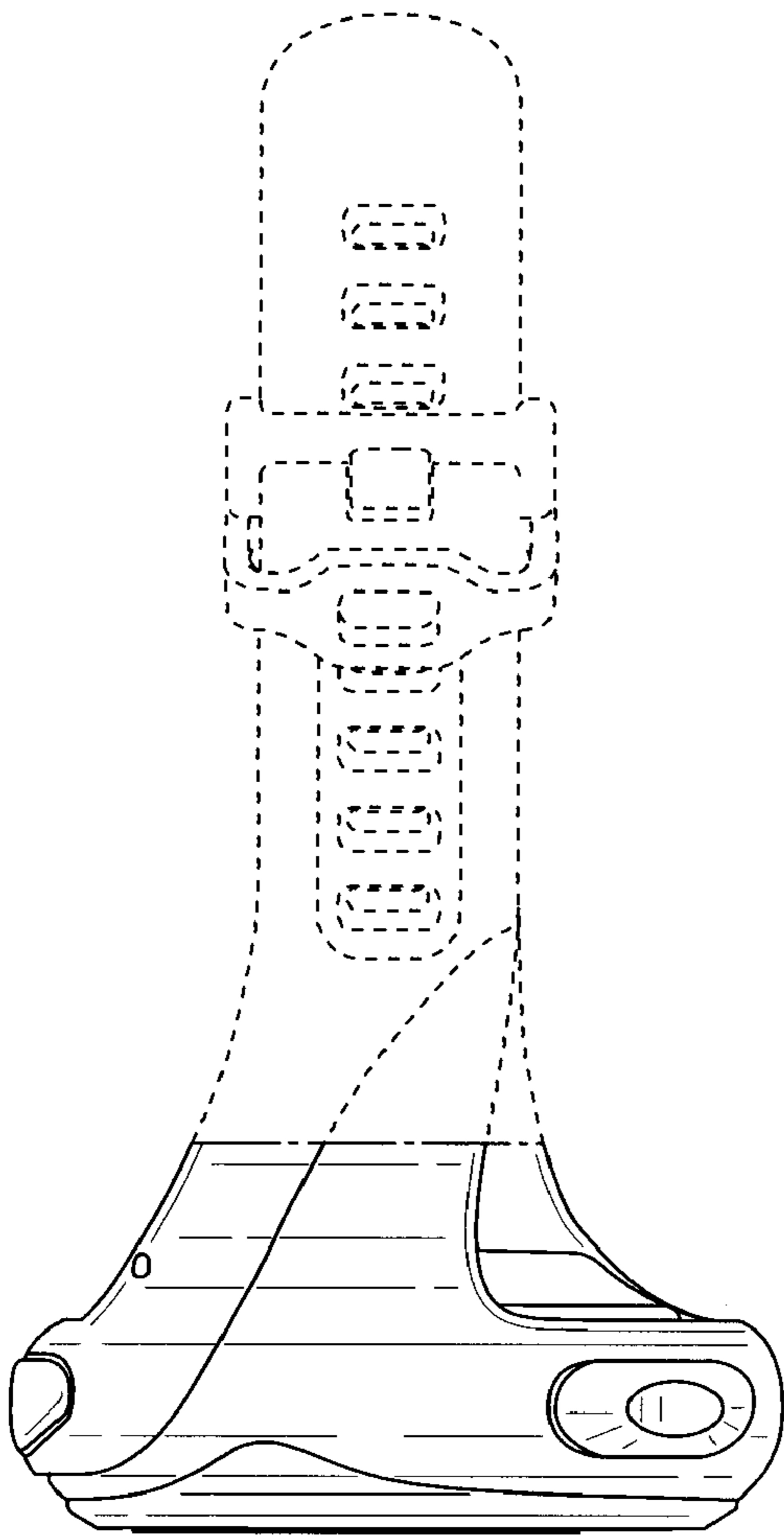


FIG. 4

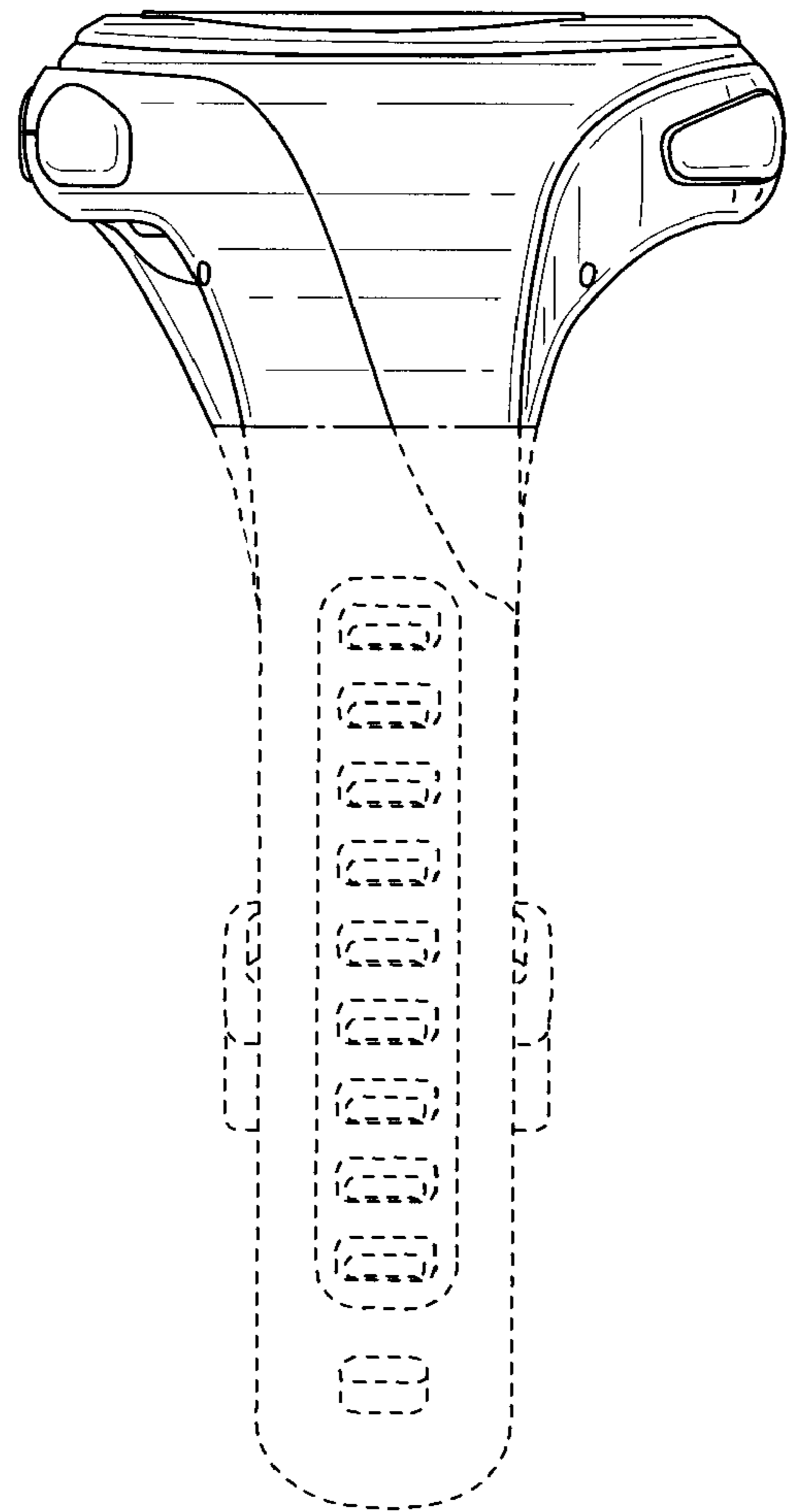


*FIG. 5*





*FIG. 6*



*FIG. 7*