

US00D608661S

(12) **United States Design Patent**
Bulgari

(10) **Patent No.:** **US D608,661 S**

(45) **Date of Patent:** **** Jan. 26, 2010**

(54) **WATCH BRACELET**

(75) Inventor: **Paolo Bulgari**, Rome (IT)

(73) Assignee: **Bulgari Time (Switzerland) S.A.**,
Neuchatel (CH)

(**) Term: **14 Years**

(21) Appl. No.: **29/265,219**

(22) Filed: **Aug. 28, 2006**

(30) **Foreign Application Priority Data**

Mar. 2, 2006 (EM) 067822

(51) **LOC (9) Cl.** **10-02**

(52) **U.S. Cl.** **D10/32**

(58) **Field of Classification Search** D10/23-39,
D10/123-132; D11/3, 12, 19; 368/21, 28,
368/80, 223, 228-232, 276-277, 281-285
See application file for complete search history.

(56) **References Cited**

U.S. PATENT DOCUMENTS

D84,496 S *	6/1931	Schneibel	D10/39
D264,188 S *	5/1982	Bulgari	D10/39
D271,471 S *	11/1983	Bulgari	D10/32
D284,169 S *	6/1986	Adler	D10/32
D302,134 S *	7/1989	Woomer	D10/39
D312,587 S *	12/1990	Bulgari	D10/32
D313,357 S *	1/1991	Bulgari	D10/23
D324,655 S *	3/1992	Bulgari	D10/37
D326,624 S *	6/1992	Cowan	D11/19
D326,822 S *	6/1992	Wuest	D10/32
D353,340 S *	12/1994	Burgener	D10/32
D362,195 S *	9/1995	Bulgari	D10/39

D362,634 S *	9/1995	Bulgari	D10/39
D440,888 S *	4/2001	Strasser	D10/39
D443,214 S *	6/2001	Bodino	D10/32
D464,275 S *	10/2002	Bulgari	D10/39
D547,213 S *	7/2007	Bulgari	D10/39
D548,638 S *	8/2007	Chodat	D11/3
D555,520 S *	11/2007	Strasser	D10/39
D559,128 S *	1/2008	Laucella	D10/39
D569,273 S *	5/2008	Rabassa	D10/32

* cited by examiner

Primary Examiner—Caron Veynar

Assistant Examiner—Ricky Pham

(74) *Attorney, Agent, or Firm*—Reising Ethington P.C.

(57) **CLAIM**

The ornamental design for a watch bracelet, as shown and described.

DESCRIPTION

FIG. 1 is a perspective view of a watch bracelet without case and dial showing my new design;

FIG. 2 shows a front view thereof;

FIG. 3 shows a left side view of thereof;

FIG. 4 shows a rear view thereof;

FIG. 5 shows a right side view thereof;

FIG. 6 shows a top view thereof; shown from 6 of FIG. 3;

FIG. 7 shows a bottom view thereof; shown from 7 of FIG. 5;

FIG. 8 shows a perspective thereof; shown from the rear part in the closed position; and,

FIG. 9 shows a rear view thereof; shown from the rear part in the open position.

1 Claim, 2 Drawing Sheets

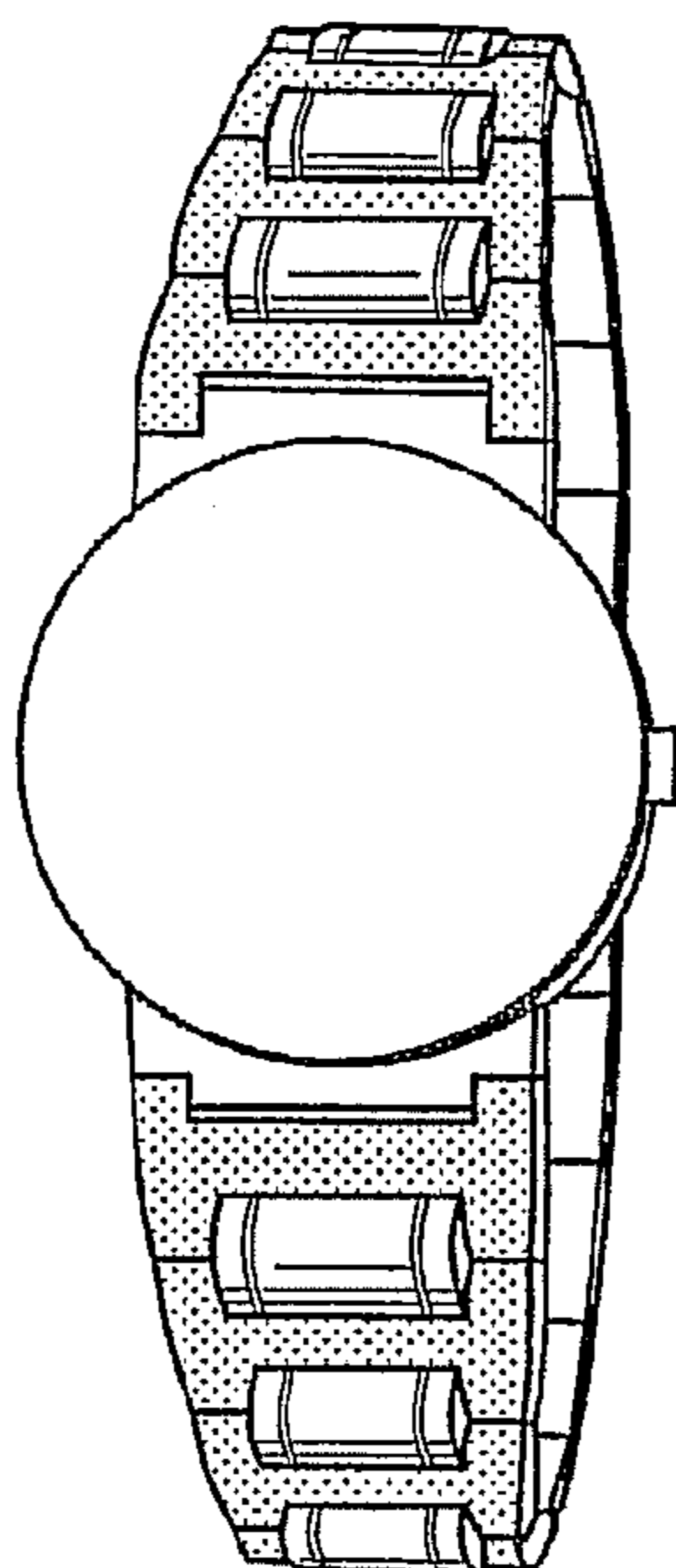


FIG. 1

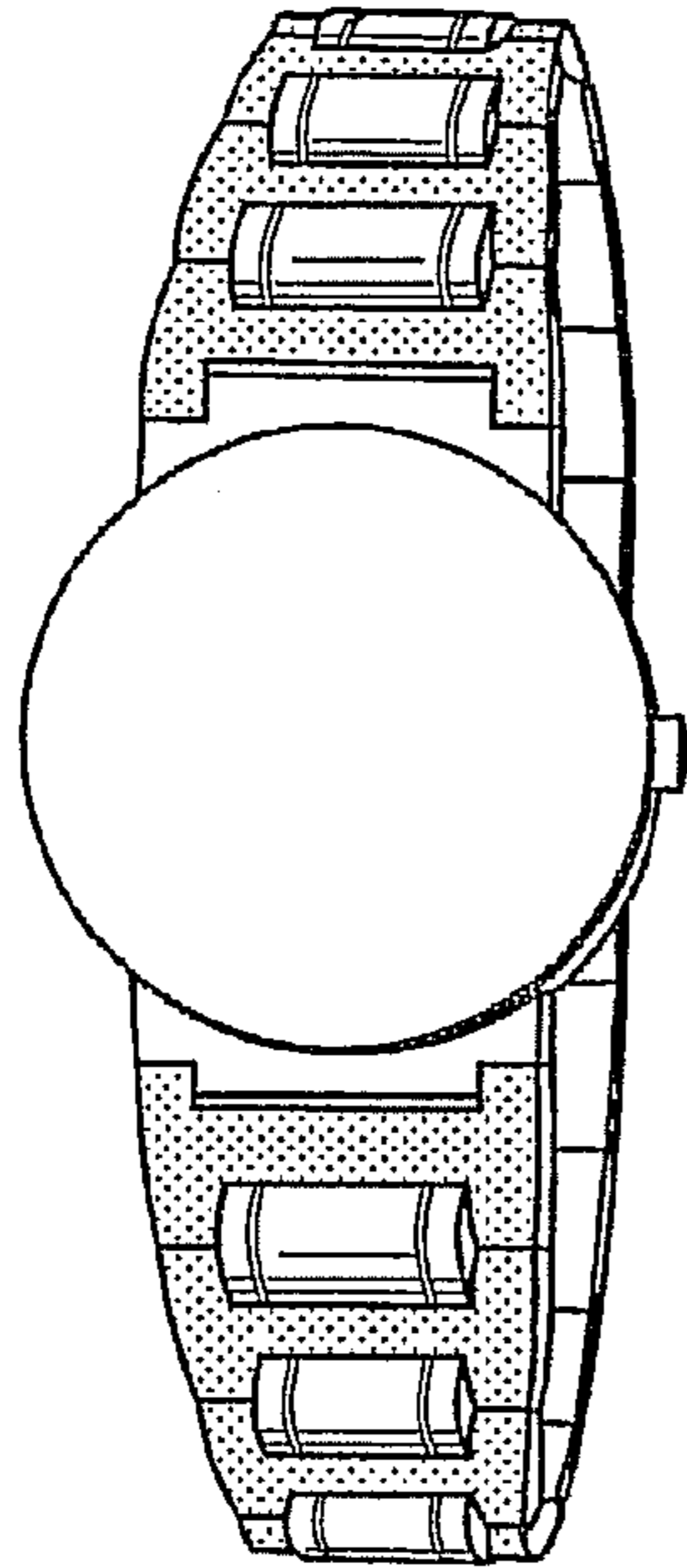


FIG. 2

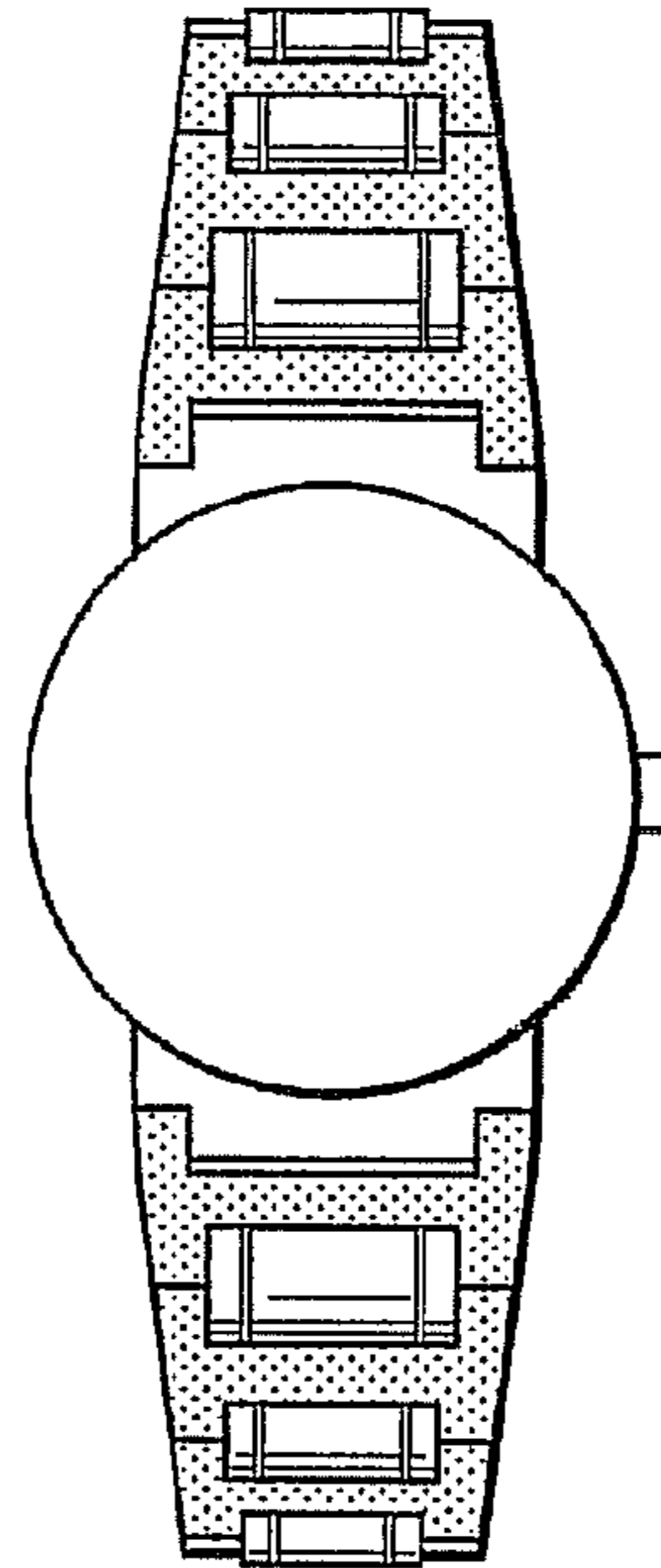


FIG. 8

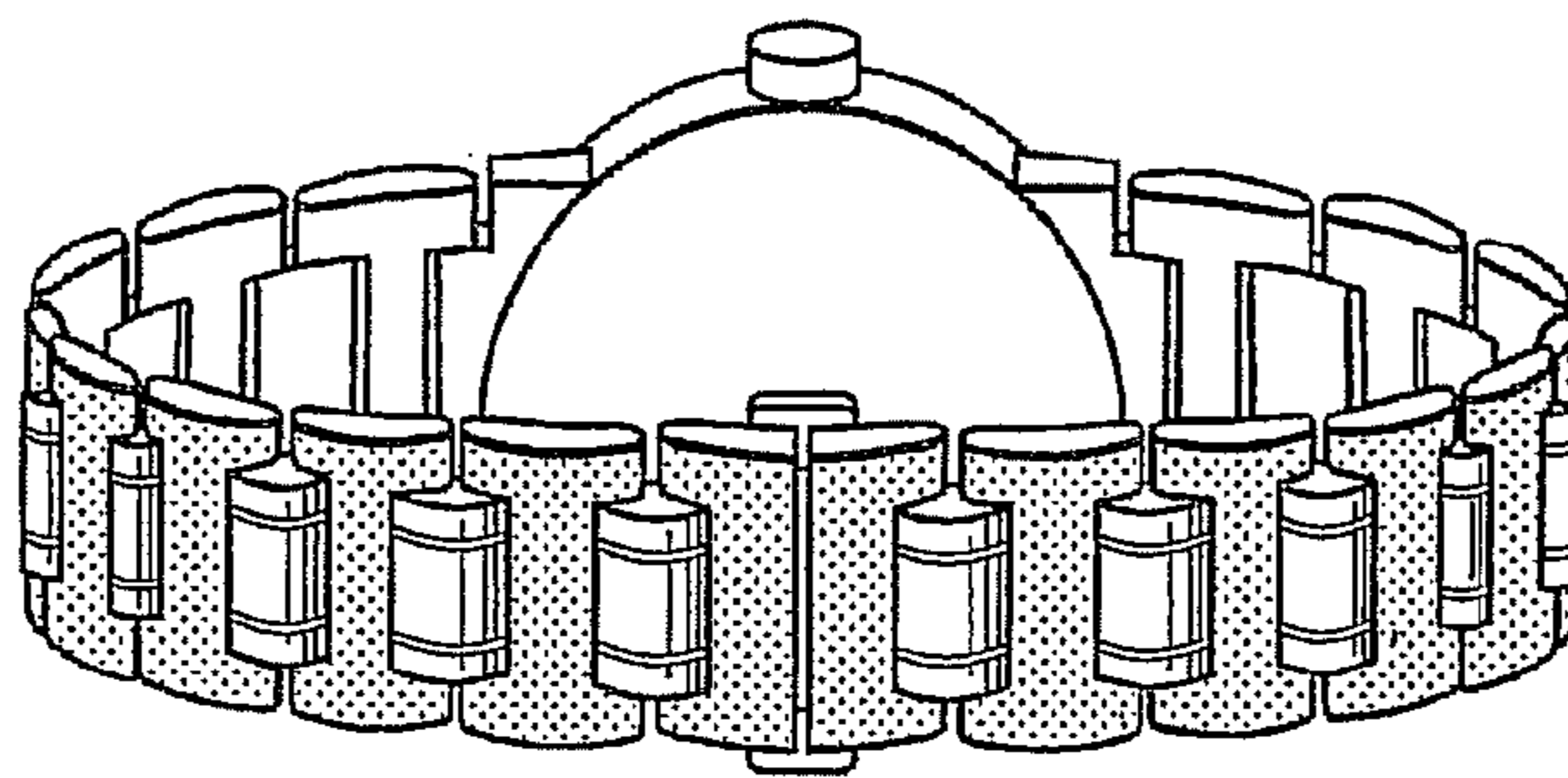


FIG. 9

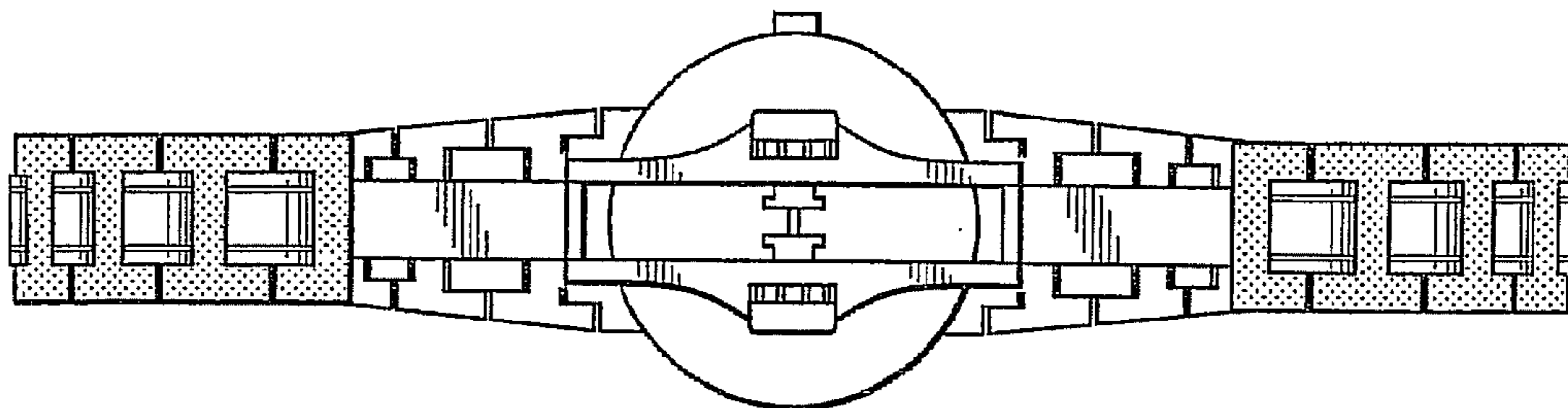


FIG. 5

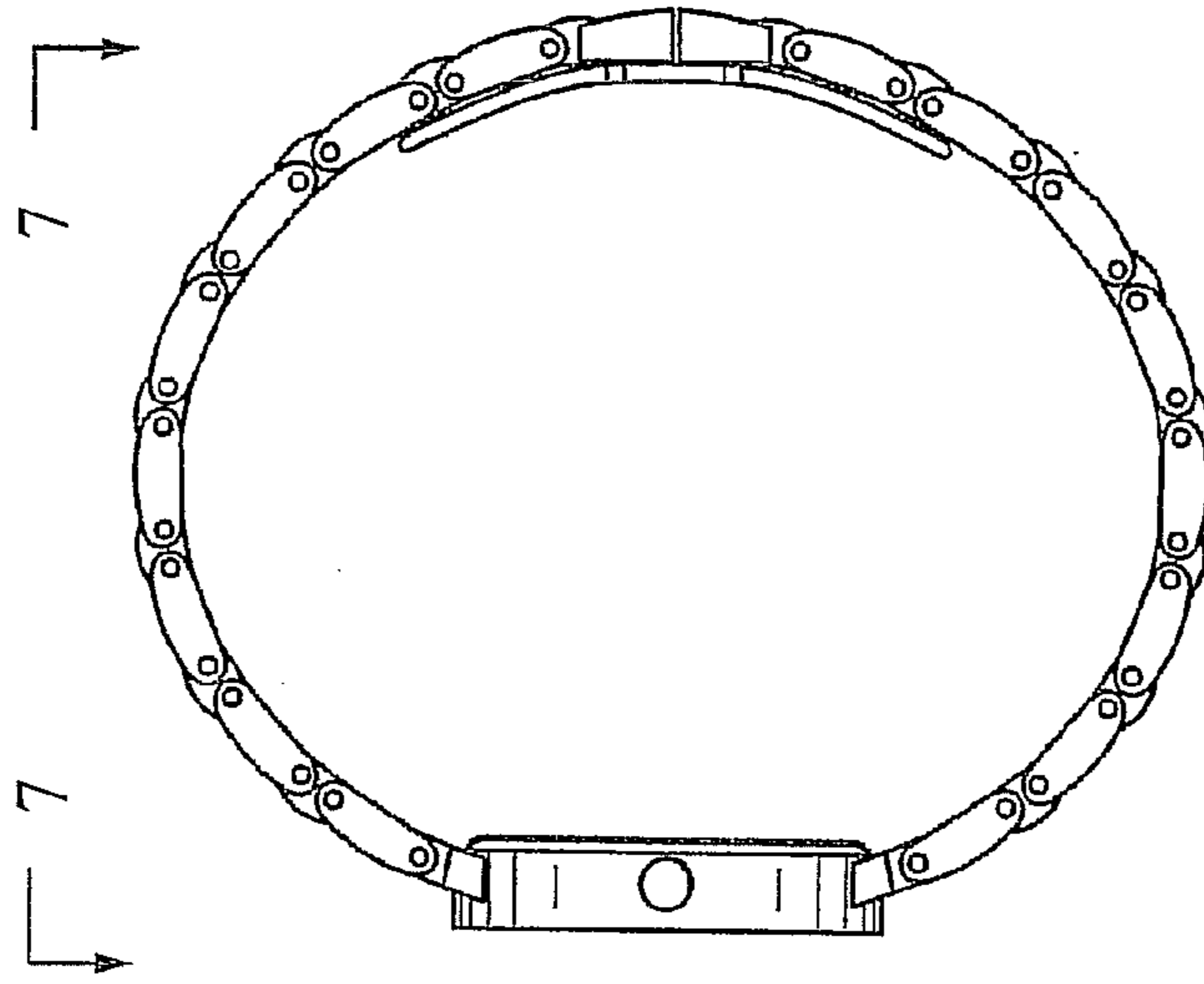


FIG. 4

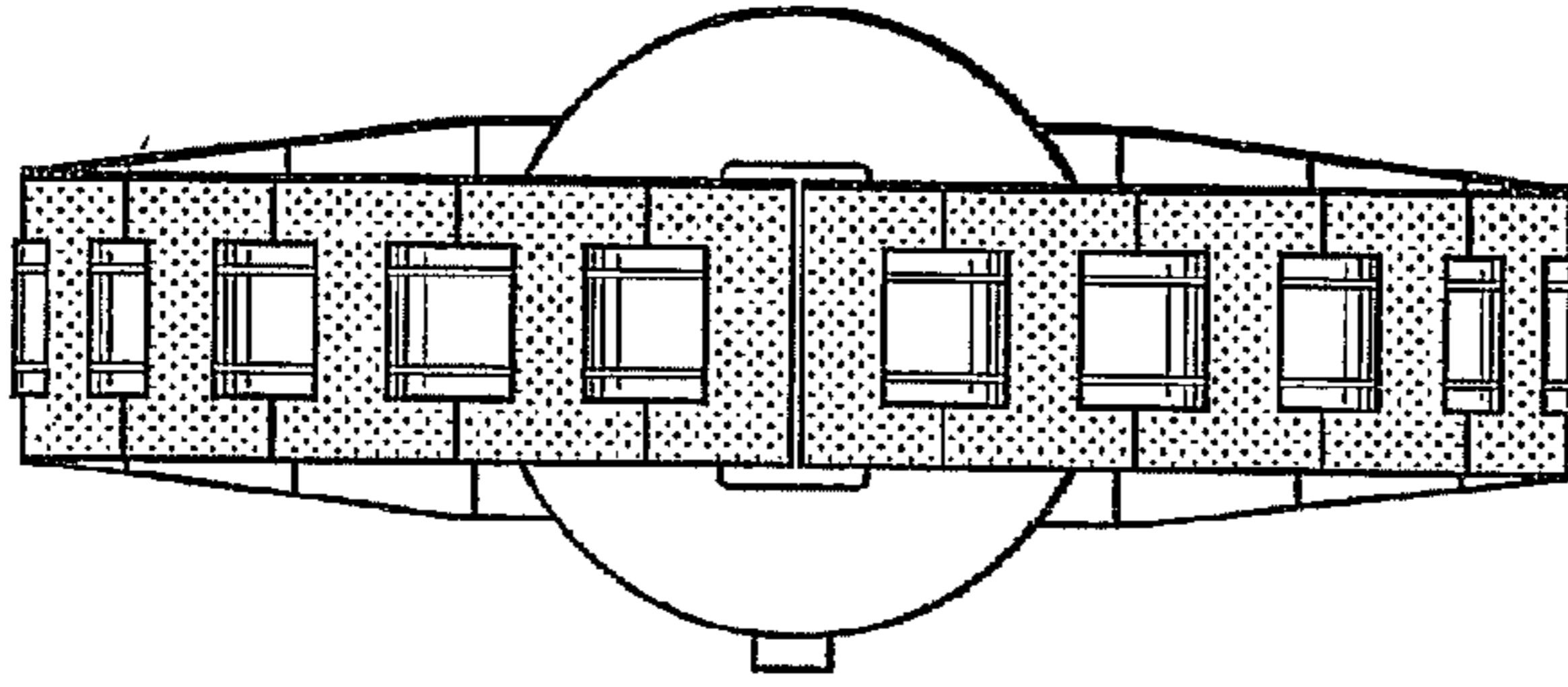


FIG. 3

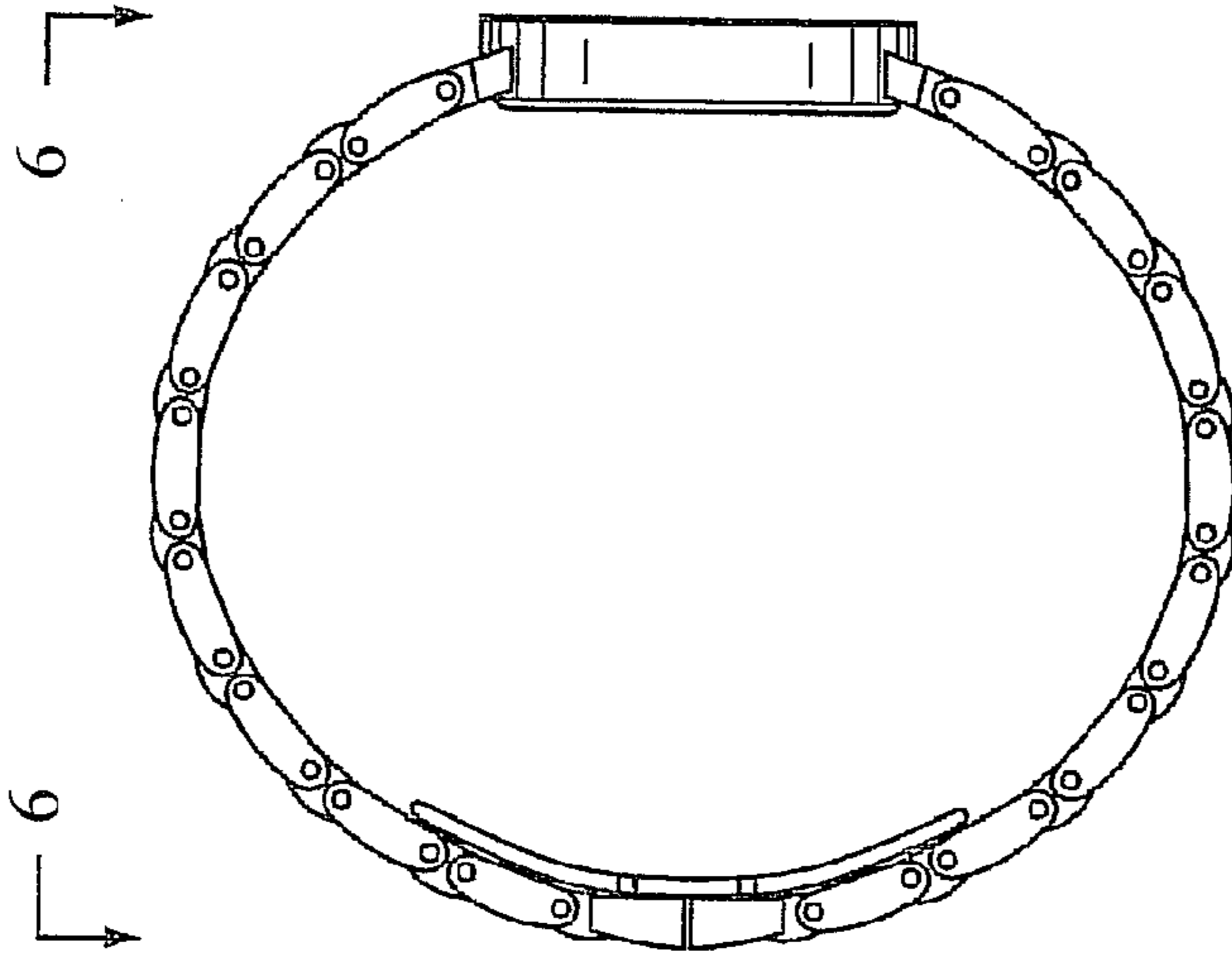


FIG. 7

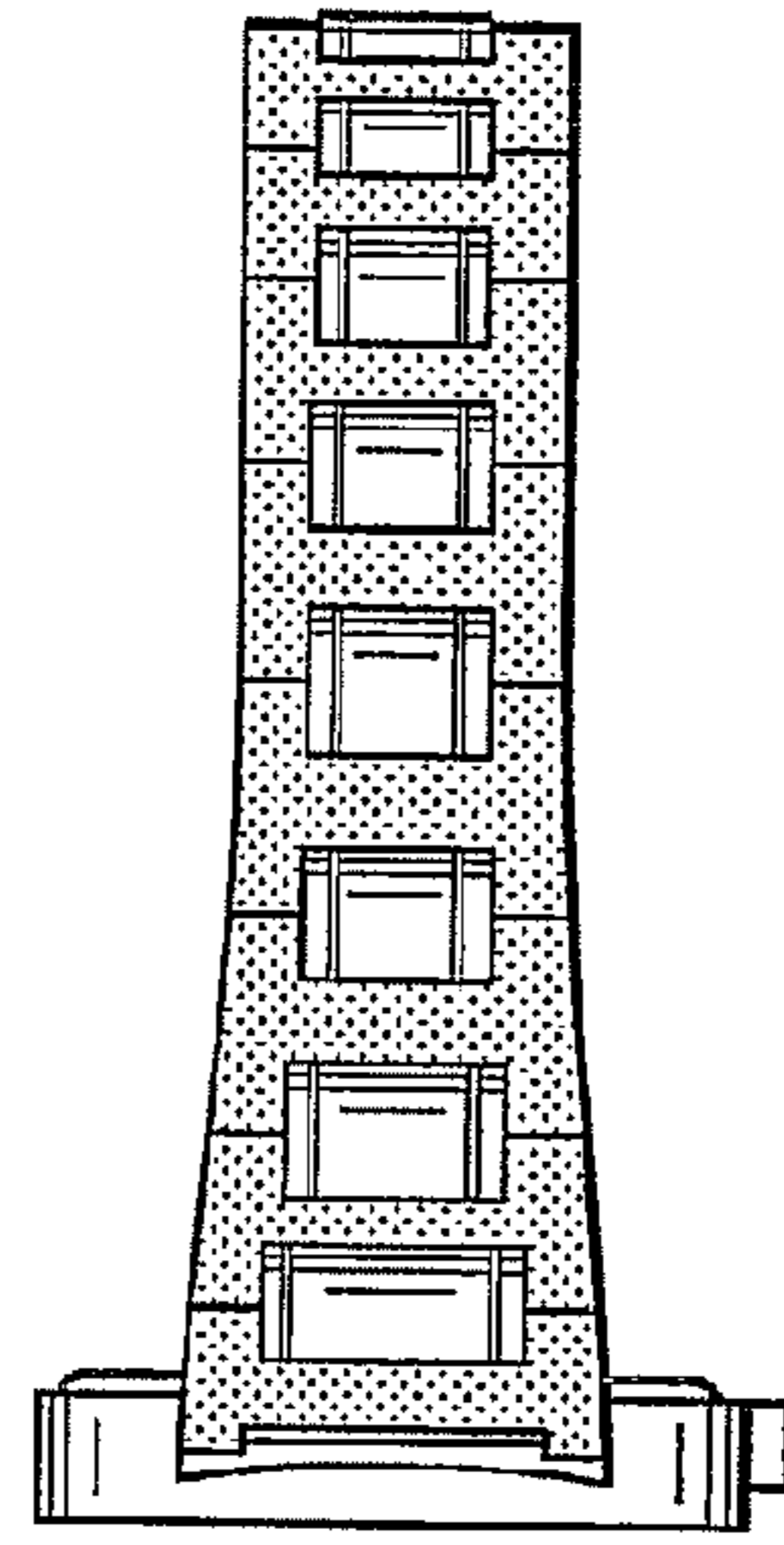


FIG. 6

