



US00D608658S

(12) **United States Design Patent**
Py et al.

(10) **Patent No.:** **US D608,658 S**
(45) **Date of Patent:** **** Jan. 26, 2010**

(54) **DISPENSER**

(57) **CLAIM**

(75) Inventors: **Daniel Py**, Larchmont, NY (US); **Julian V. Chan**, Spring Valley, NY (US)

The ornamental design for a dispenser, as shown and described.

(73) Assignee: **Medical Instill Technologies, Inc.**, New Milford, CT (US)

(**) Term: **14 Years**

(21) Appl. No.: **29/318,777**

(22) Filed: **May 28, 2008**

DESCRIPTION

Related U.S. Application Data

(62) Division of application No. 29/253,780, filed on Feb. 13, 2006, now Pat. No. Des. 580,785.

(51) **LOC (9) Cl.** **09-01**

(52) **U.S. Cl.** **D9/724**

(58) **Field of Classification Search** D9/434,
D9/454, 516, 723-727; D23/213; D28/88,
D28/89; D19/35, 41, 43, 45, 51, 57, 65,
D19/66, 70; 221/64, 65, 135, 208, 278, 282;
222/105, 394, 402.1, 402.15, 546

See application file for complete search history.

(56) **References Cited**

U.S. PATENT DOCUMENTS

2,252,542	A	8/1941	Beeh
2,388,321	A	11/1945	Gereke
2,442,503	A	6/1948	Melnikoff
2,642,607	A	6/1953	Bozzalla
2,715,236	A	8/1955	Tereno
2,725,595	A	12/1955	Sisk et al.
2,732,736	A	1/1956	Bonnie
2,743,042	A	4/1956	Burgin
3,864,047	A	2/1975	Sherrod

(Continued)

Primary Examiner—Stella M Reid

Assistant Examiner—Shanda C Hill

(74) *Attorney, Agent, or Firm*—McCarter & English, LLP

The dispenser comprises a container for storing multiple doses of a substance to be dispensed, a one-way dispensing valve for sealing the substance within the container and allowing the substance to be dispensed therefrom, and a manually-engageable actuator positioned laterally with respect to the dispensing valve that is manually depressible to pump metered doses of substance from the storage container through the dispensing valve. The one-way valve of the dispenser forms a normally closed, fluid-tight seal that hermetically seals the substance within the storage container from the first to the last dose. The dispenser may hold the substance therein in an airless, sterile condition, thus eliminating the need for preservatives and allowing the substance to be preservative free. The dispenser of the present invention is provided for dispensing any of numerous different substances, including liquids, creams and gels, and such substances may take the form of any of numerous different products, including without limitation, ophthalmic, pharmaceutical, dermatological, cosmetic, and cosmeceutical products.

FIG. 1 is a top and left perspective view of a dispenser of the present invention;

FIG. 2 is a left side elevational view of the dispenser of FIG. 1;

FIG. 3 is a top elevational view of the dispenser of FIG. 1;

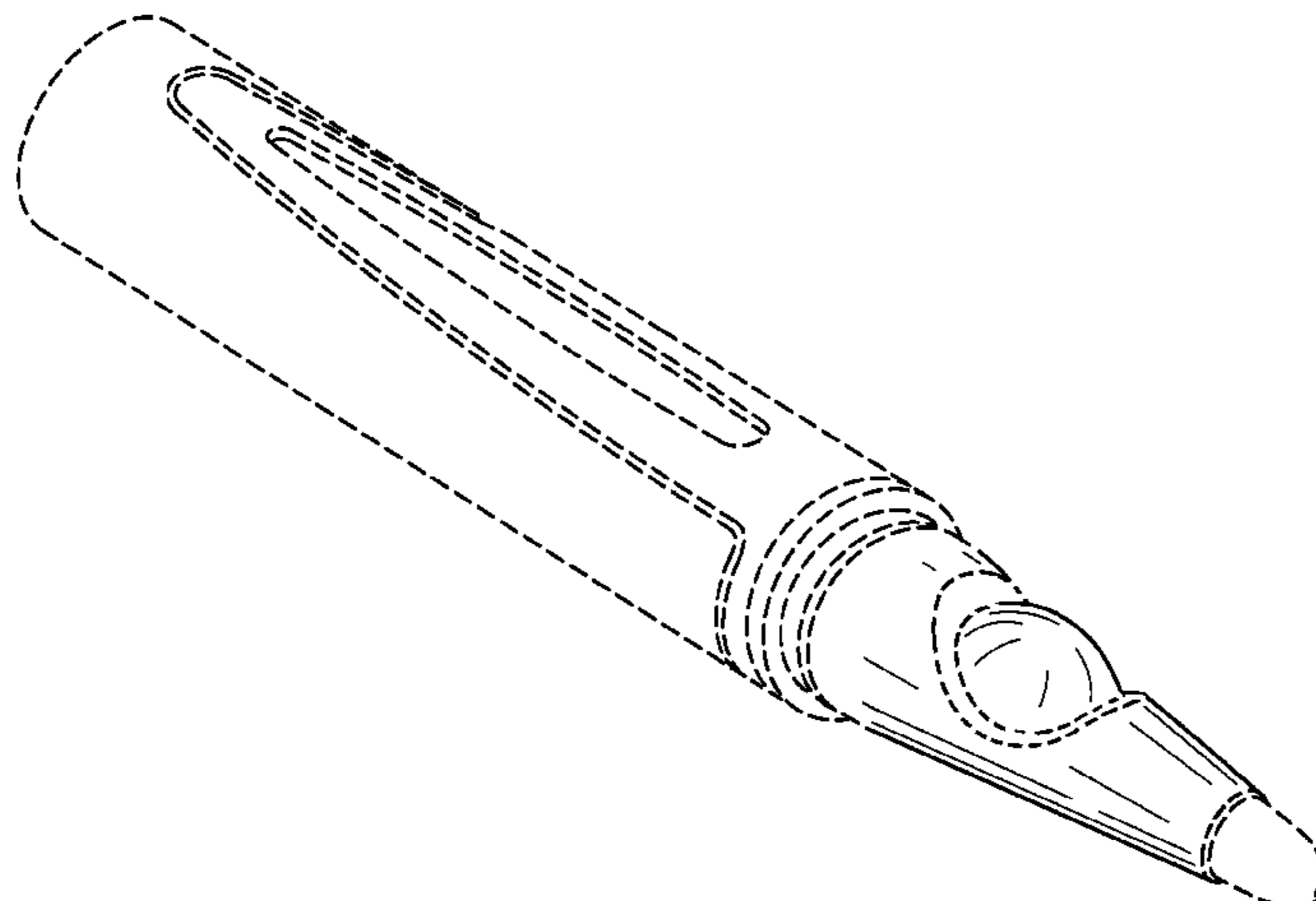
FIG. 4 is a right side elevational view of the dispenser of FIG. 1;

FIG. 5 is a bottom elevational view of the dispenser of FIG. 1;

FIG. 6 is a front end elevational view of the dispenser of FIG. 1; and,

FIG. 7 is a rear end elevational view of the dispenser of FIG. 1.

1 Claim, 4 Drawing Sheets



US D608,658 S

Page 2

U.S. PATENT DOCUMENTS

4,002,182 A	1/1977	Michel	6,010,036 A	1/2000	Bougamont et al.
5,505,341 A	4/1996	Gueret	6,073,813 A	6/2000	Tanner
5,738,067 A	4/1998	Landwehr et al.	6,409,406 B1	6/2002	Schwartzman
5,772,347 A	6/1998	Gueret	6,688,317 B2	2/2004	Gueret
5,879,095 A	3/1999	Gueret	6,745,781 B2	6/2004	Gueret
			2004/0161292 A1	8/2004	Breidenbach et al.

FIG. 1

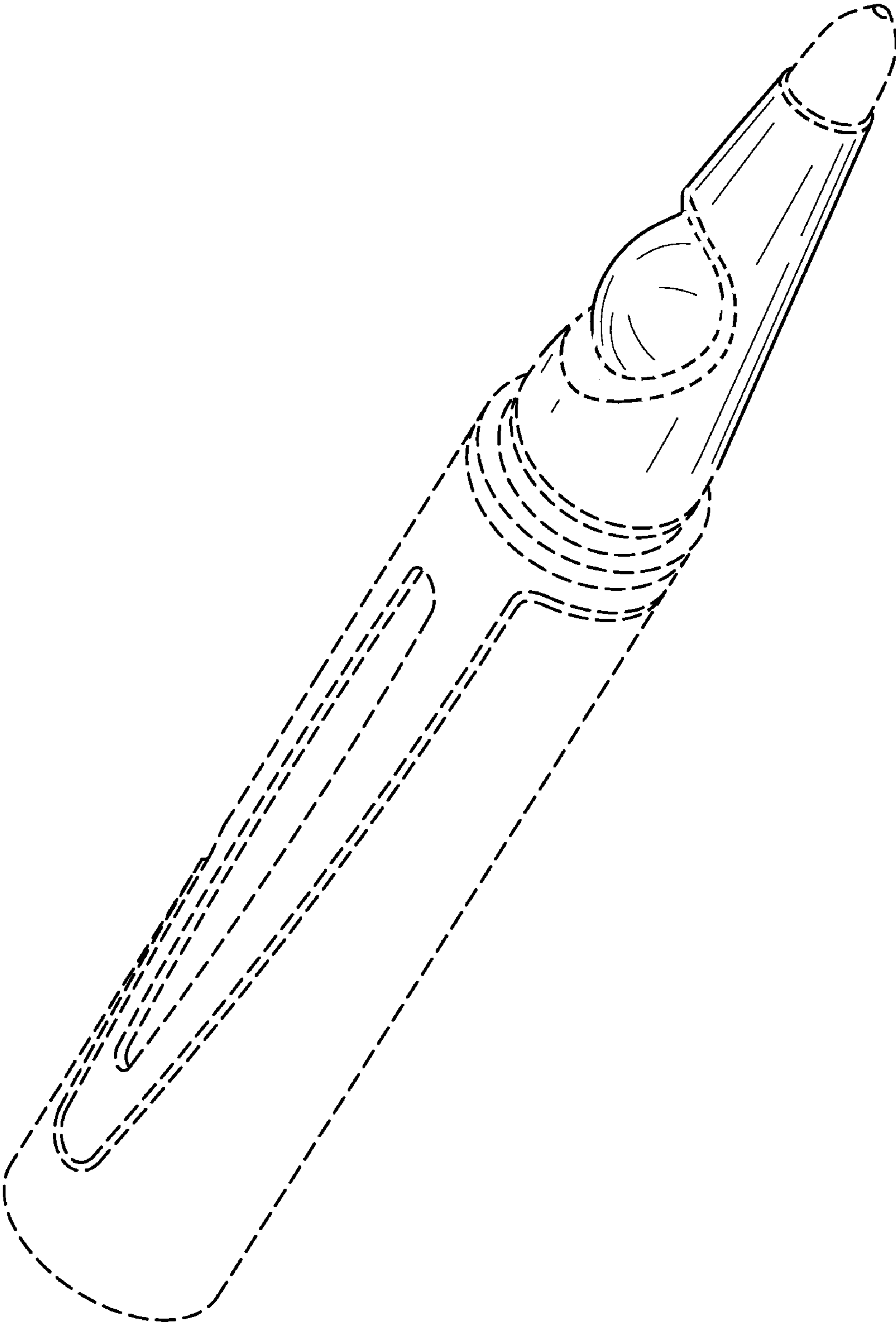


FIG. 2

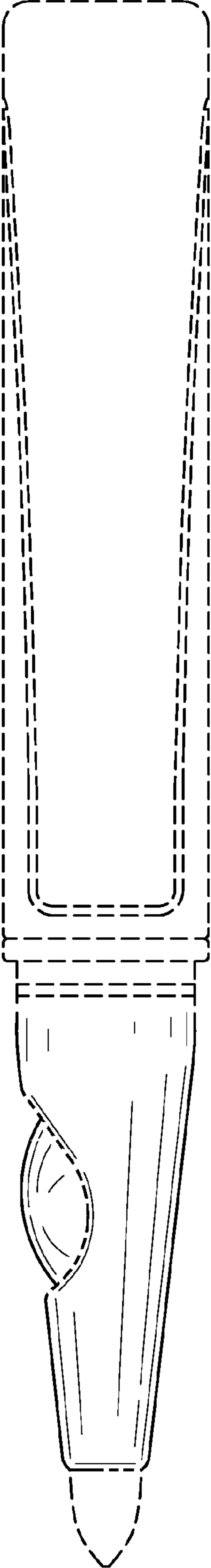


FIG. 3

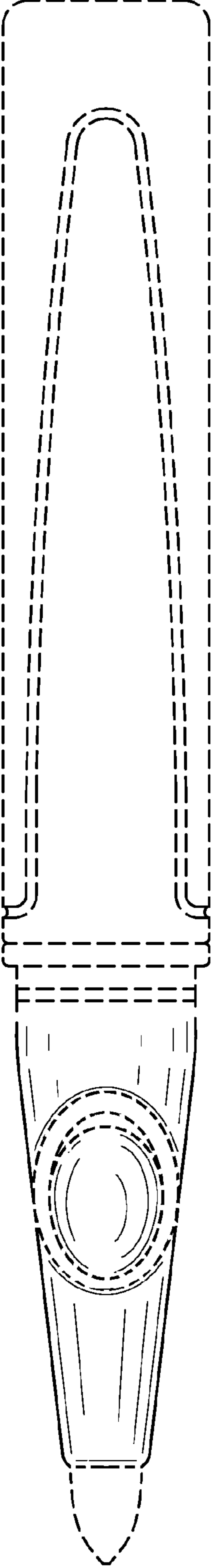


FIG. 4

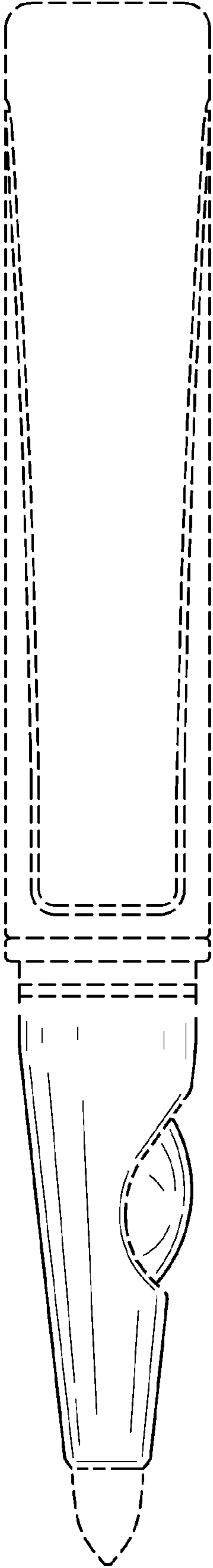


FIG. 5

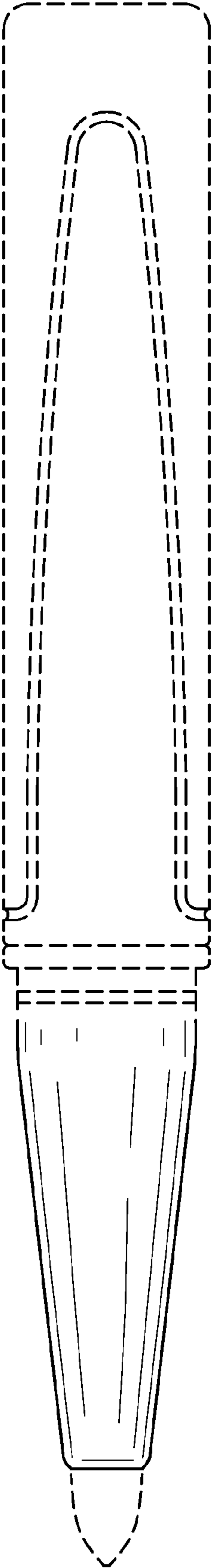


FIG. 7

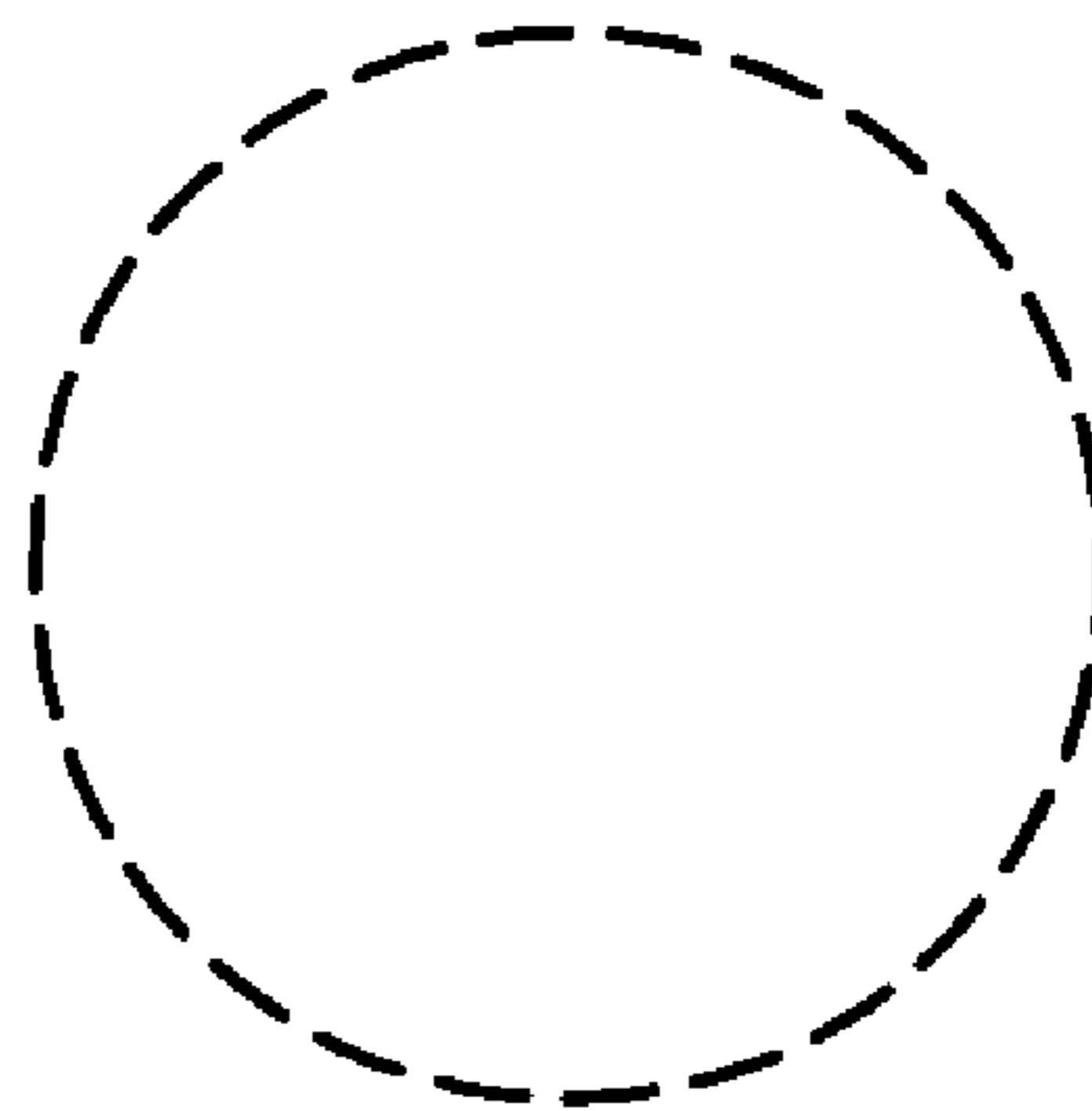
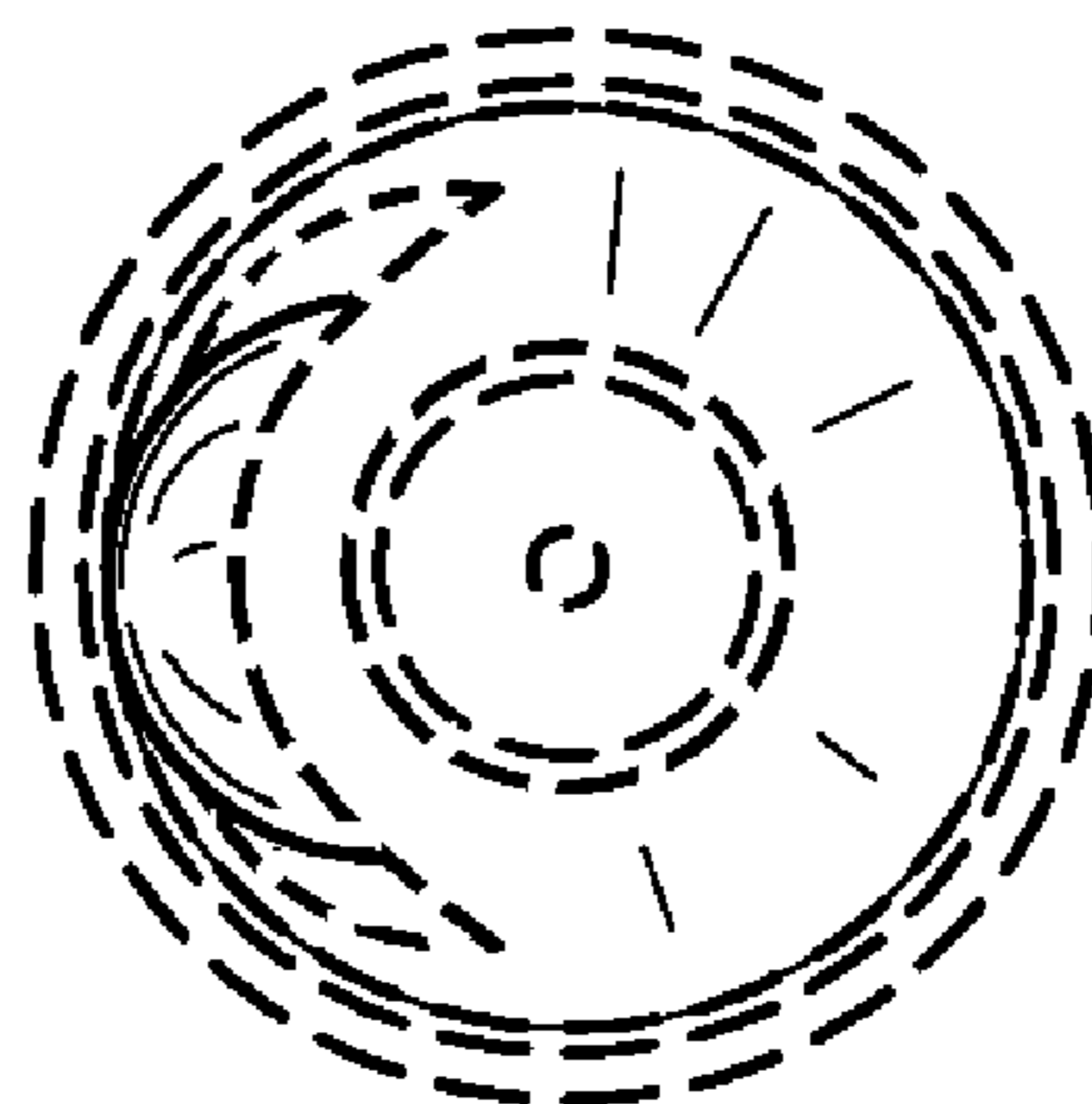


FIG. 6



UNITED STATES PATENT AND TRADEMARK OFFICE
CERTIFICATE OF CORRECTION

PATENT NO. : D608,658 S
APPLICATION NO. : 29/318777
DATED : January 26, 2010
INVENTOR(S) : Daniel Py et al.

Page 1 of 1

It is certified that error appears in the above-identified patent and that said Letters Patent is hereby corrected as shown below:

Title Page, DESCRIPTION, after the paragraph "FIG. 7 is a rear end elevational view . . ." insert the following:

--The broken lines shown in the drawing disclosure are for illustrative purposes only and form no part of the claimed design.--

Signed and Sealed this
Eleventh Day of January, 2011

A handwritten signature in black ink that reads "David J. Kappos". The signature is written in a cursive, slightly slanted style.

David J. Kappos
Director of the United States Patent and Trademark Office