



US00D608643S

(12) **United States Design Patent**
Sagara et al.

(10) **Patent No.:** **US D608,643 S**
(45) **Date of Patent:** **** Jan. 26, 2010**

(54) **CONTAINER BOTTOM**

D590,721 S * 4/2009 Martinez
De San Vicente D9/571

(75) Inventors: **Koichi Sagara**, Sumida-ku (JP);
Shigeyuki Kawamata, Sumida-ku (JP);
Susumu Fujinami, Chuo-ku (JP);
Shigeo Kamata, Koto-ku (JP)

FOREIGN PATENT DOCUMENTS

JP	53-137796	12/1978
JP	2002-193232	7/2002
JP	4157986	10/2008

(73) Assignees: **Kao Corporation**, Tokyo (JP); **Yoshino Kogyosho Co., Ltd.**, Tokyo (JP)

* cited by examiner

(**) Term: **14 Years**

Primary Examiner—Stella M Reid

Assistant Examiner—Elizabeth J Oswecki

(21) Appl. No.: **29/328,073**

(74) *Attorney, Agent, or Firm*—Oblon, Spivak, McClelland, Maier & Neustadt, L.L.P.

(22) Filed: **Nov. 18, 2008**

(57) **CLAIM**

(51) **LOC (9) Cl.** **09-01**

The ornamental design for a container bottom, as shown and described.

(52) **U.S. Cl.** **D9/516; D9/520**

(58) **Field of Classification Search** D9/516,
D9/520, 521, 529, 530, 531, 535, 537, 538,
D9/540, 541, 543, 544–546, 548, 551, 553,
D9/559, 560, 564, 566, 575; 215/381–385
See application file for complete search history.

DESCRIPTION

FIG. 1 is a bottom perspective view of a container bottom showing our new design;

FIG. 2 is a bottom plan view thereof;

FIG. 3 is a side cross sectional view of a surface of a portion taken along line 3—3 of FIG. 2; and,

FIG. 4 is another side cross sectional view of a surface of a portion taken along line 4—4 of FIG. 2.

The broken line showing of a container is included for the purpose of illustrating only and forms no part of the claimed design.

(56) **References Cited**

U.S. PATENT DOCUMENTS

D286,615 S *	11/1986	Lyons	D9/520
D395,827 S *	7/1998	Zogg	D9/520
D414,420 S *	9/1999	Zogg	D9/520
D421,573 S *	3/2000	Zogg	D9/520
D481,637 S *	11/2003	Desouza	D9/522
D488,384 S *	4/2004	Murphy	D9/531
D586,217 S *	2/2009	Pedmo et al.	D9/520

1 Claim, 4 Drawing Sheets

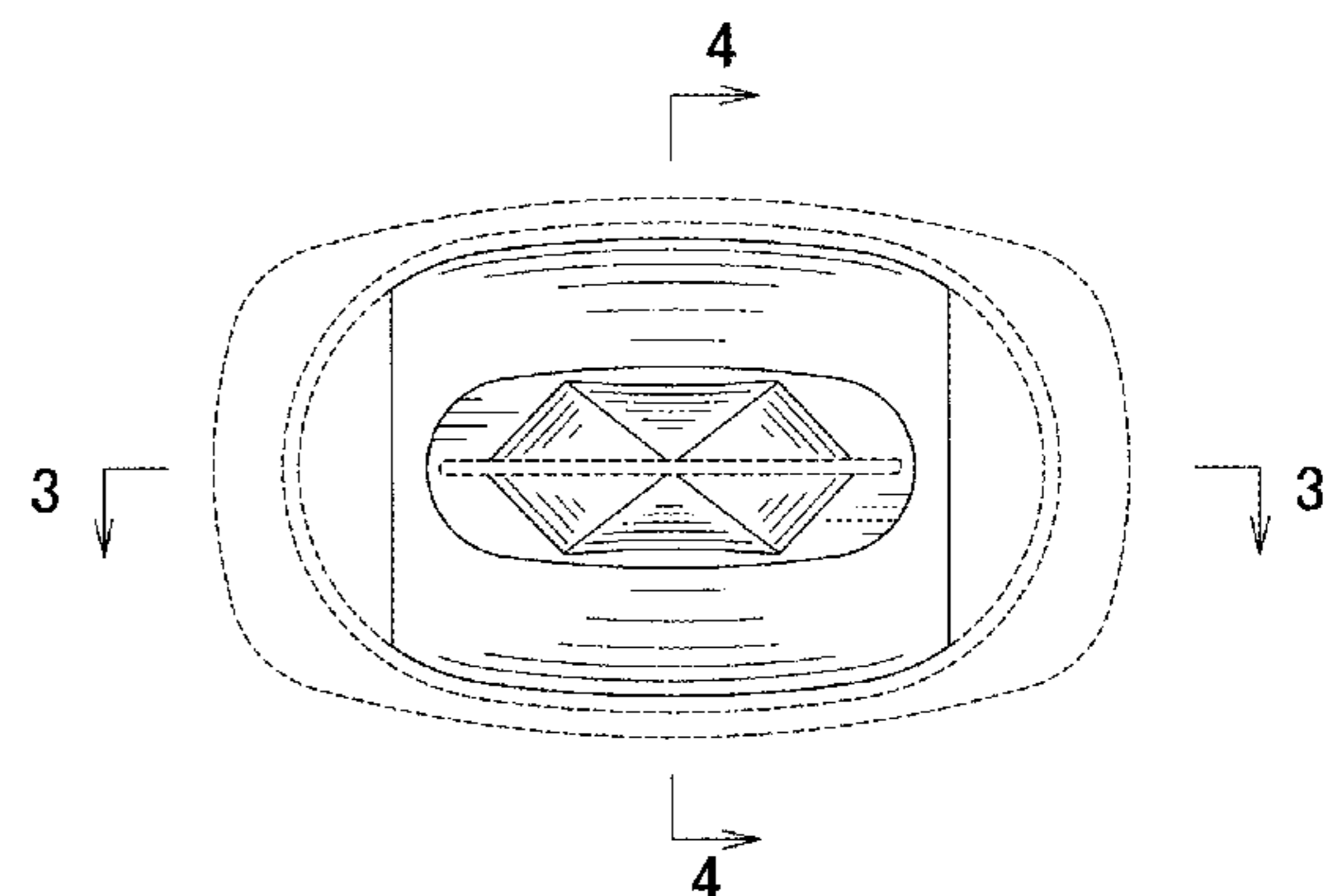
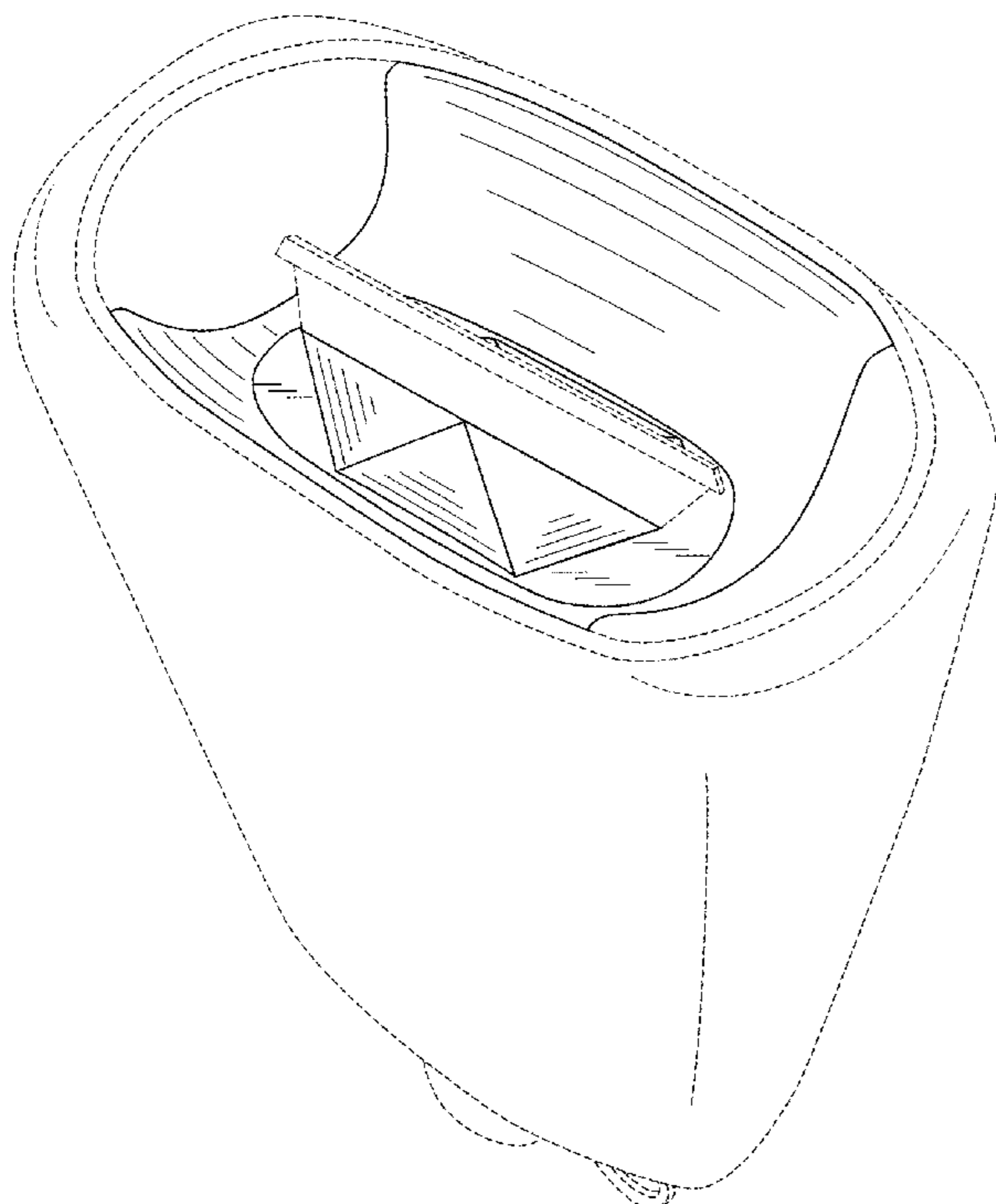


Fig.1

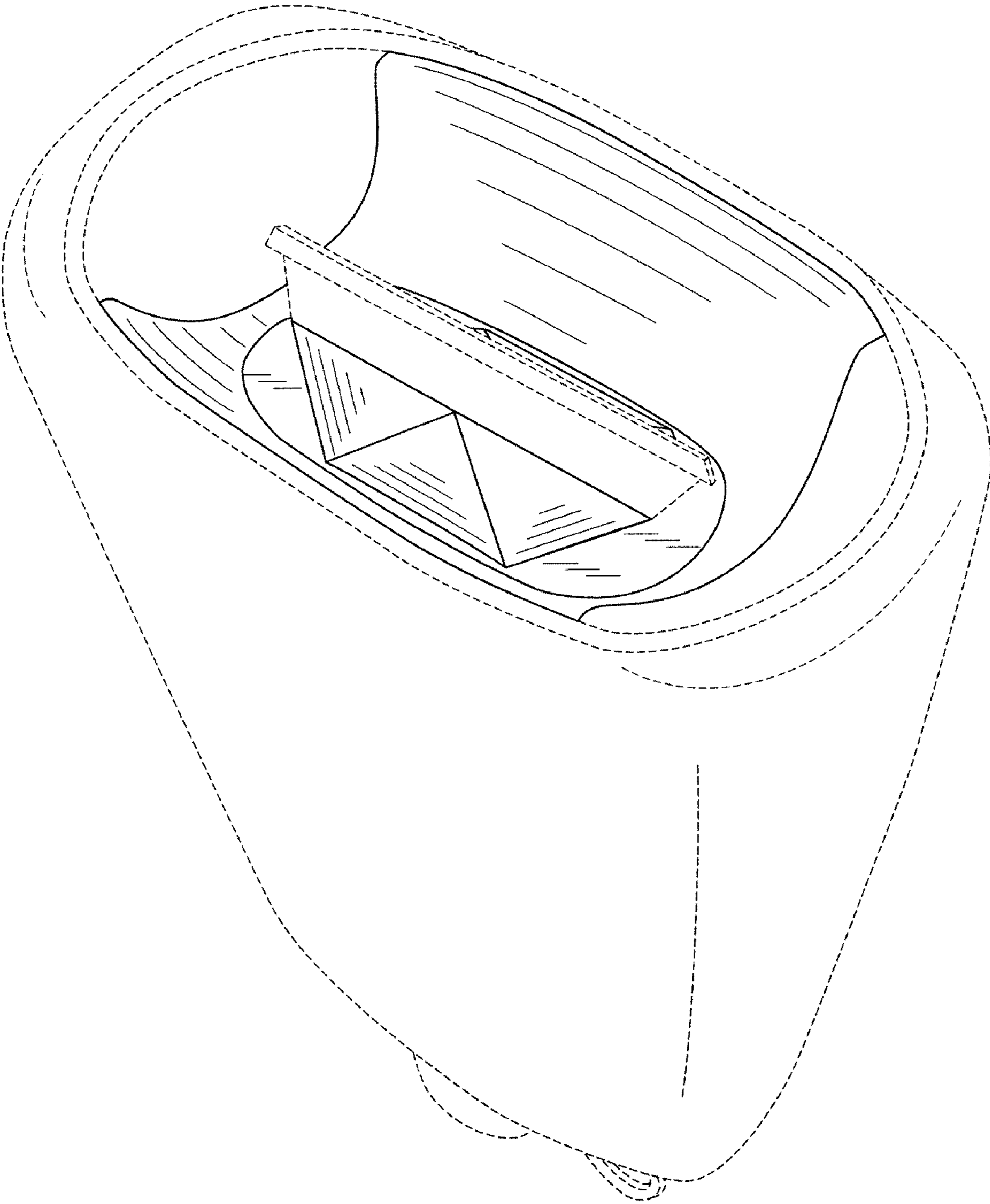


Fig.2

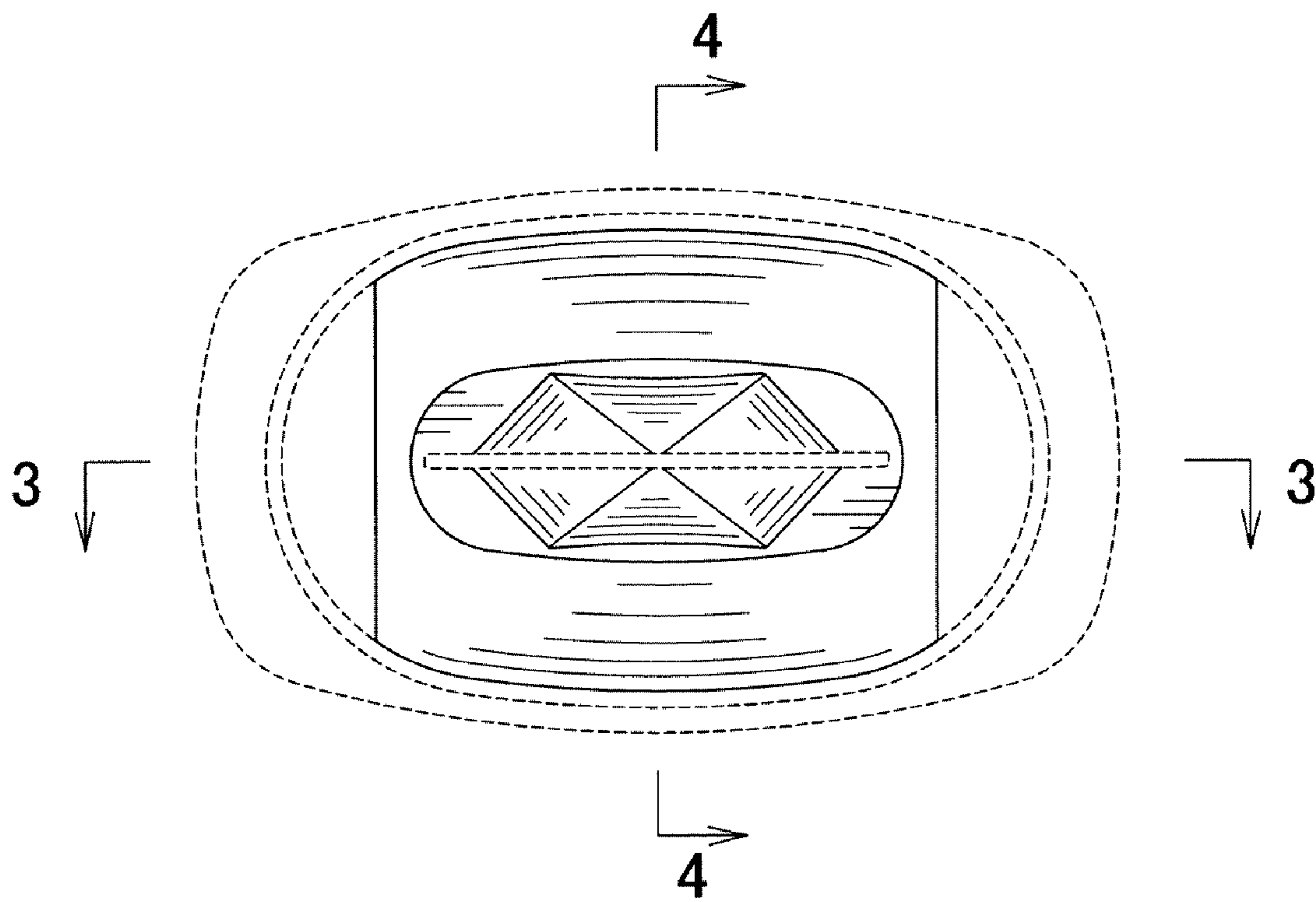


Fig.3

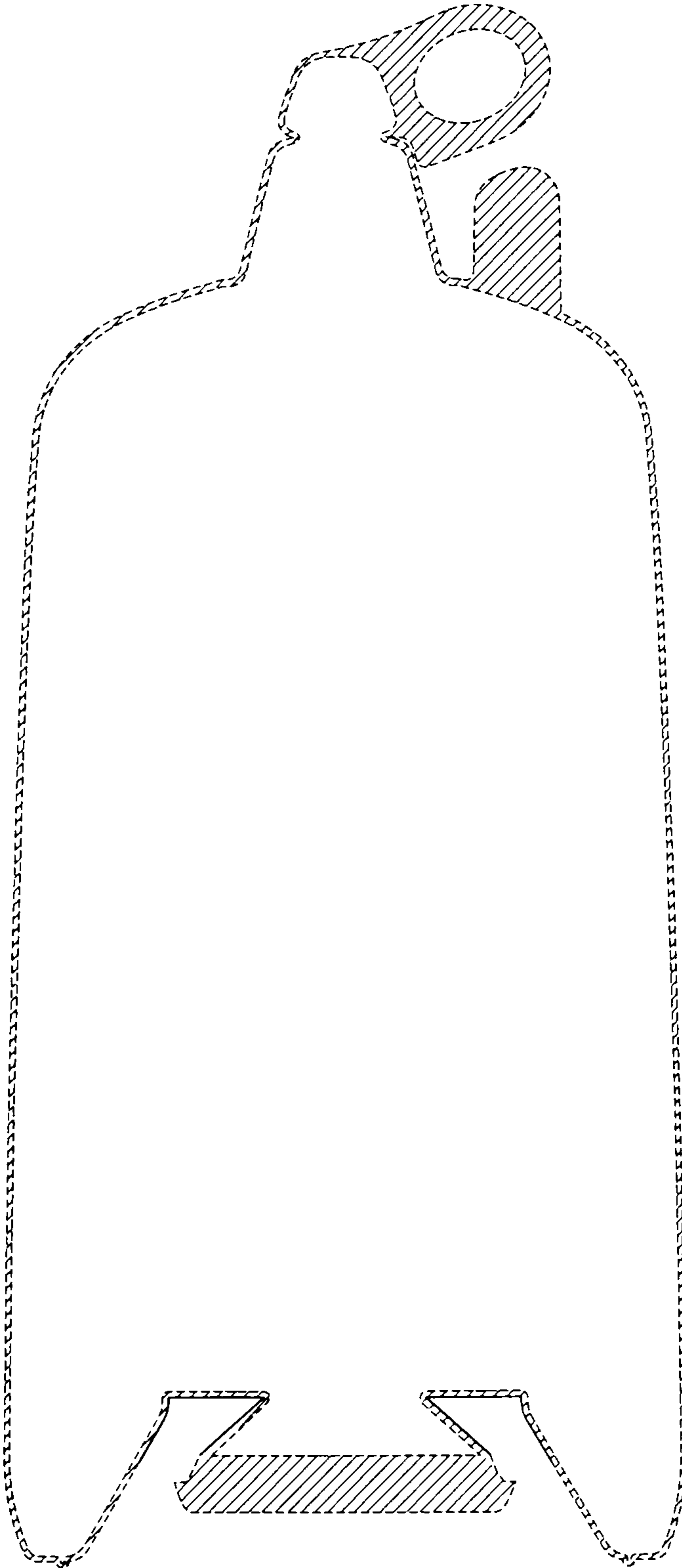
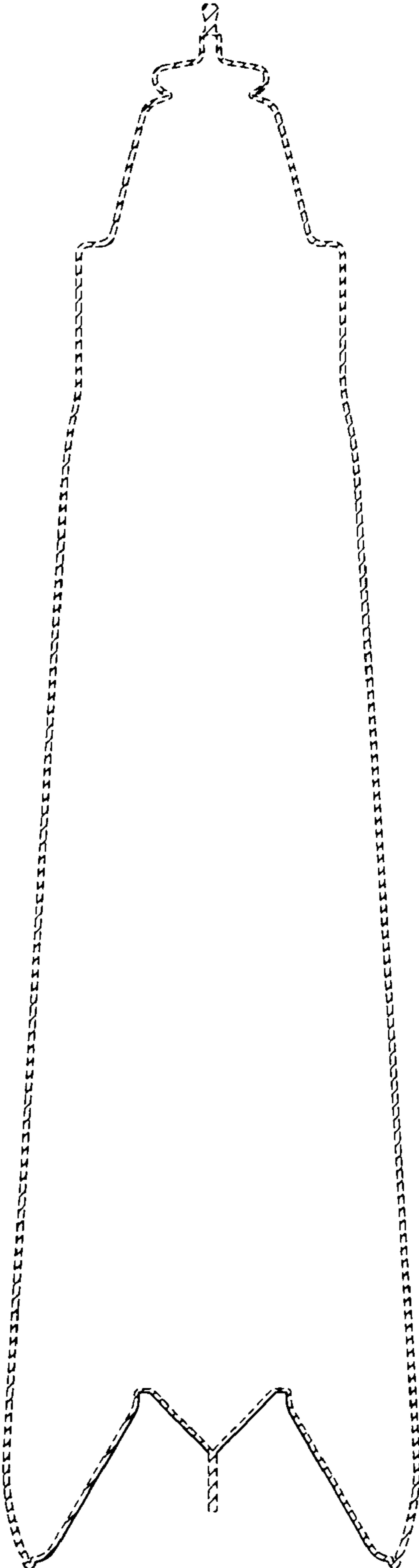


Fig.4



UNITED STATES PATENT AND TRADEMARK OFFICE
CERTIFICATE OF CORRECTION

PATENT NO. : Des. 608,643 S
APPLICATION NO. : 29/328073
DATED : January 26, 2010
INVENTOR(S) : Sagara et al.

Page 1 of 1

It is certified that error appears in the above-identified patent and that said Letters Patent is hereby corrected as shown below:

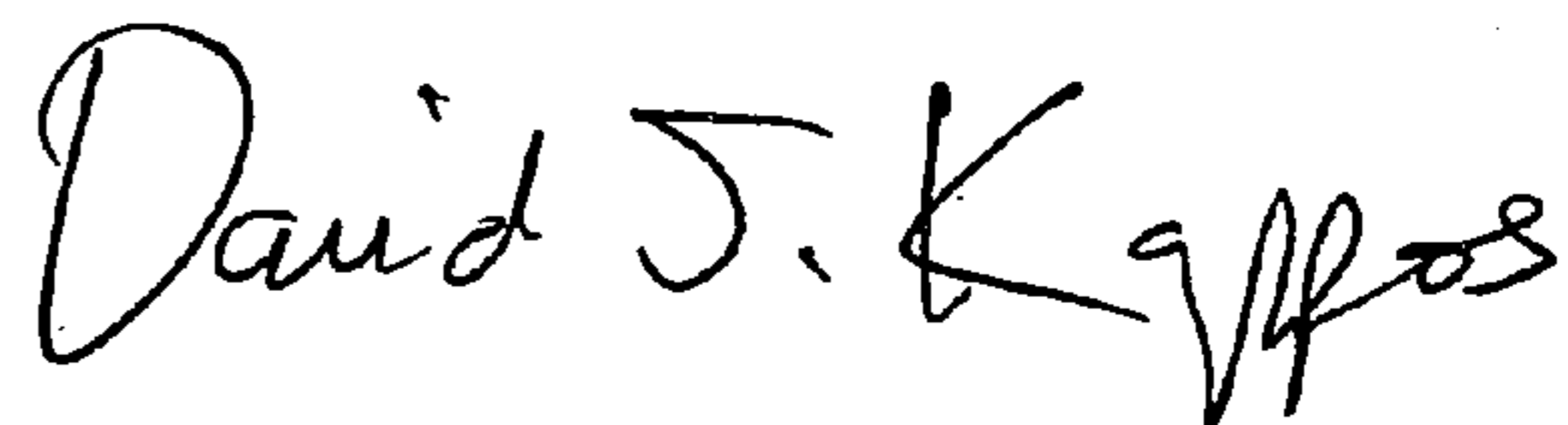
On the title page, Item (30), the Foreign Application Priority Data information has been omitted. Item (30) should read:

-- (30) **Foreign Application Priority Data**

May 21, 2008 (JP).....D2008-012665 --

Signed and Sealed this

Thirteenth Day of April, 2010



David J. Kappos
Director of the United States Patent and Trademark Office