



US00D608639S

(12) **United States Design Patent**
Jäckel et al.

(10) **Patent No.:** **US D608,639 S**
(45) **Date of Patent:** **** Jan. 26, 2010**

(54) **CLOSURE**

(75) Inventors: **Gerhard F. K. Jäckel**, Freyung (DE);
Sarah De La Mare, Passau (DE)

(73) Assignee: **Seaquist Löffler Kunststoffwerk GmbH**, Freyung (DE)

(**) Term: **14 Years**

(21) Appl. No.: **29/308,488**

(22) Filed: **Jun. 18, 2008**

(30) **Foreign Application Priority Data**

Dec. 19, 2007 (EM) 000845896

(51) **LOC (9) Cl.** **09-07**

(52) **U.S. Cl.** **D9/449; D9/454**

(58) **Field of Classification Search** D9/556,
D9/529, 454, 453, 452, 449, 443, 439, 504,
D9/450, 447, 446, 730-732, 435; D8/312;
D7/392.1; D23/261; D14/217; D12/197;
229/123.1; 222/541.2, 575, 566, 556, 552,
222/519, 494, 480, 479, 212, 565; 220/288,
220/810, 781; 215/350, 344, 295, 270, 256,
215/252, 218, 216, 209, 206, 235, 236, 331,
215/220; 206/534; 116/308-315

See application file for complete search history.

(56) **References Cited**

U.S. PATENT DOCUMENTS

D276,597 S * 12/1984 Harris D9/435
D317,869 S * 7/1991 Kipperman et al. D9/446
D348,840 S * 7/1994 Kuzma D9/575
D367,605 S * 3/1996 Moore D9/686
D373,728 S * 9/1996 Moore D9/448
D376,320 S * 12/1996 Lathrop et al. D9/558
6,039,224 A * 3/2000 Dallas et al. 222/565
D423,361 S * 4/2000 Negre D9/521

D424,422 S * 5/2000 Landhed D9/521
D433,333 S * 11/2000 Kokenge et al. D9/449
6,321,923 B1 * 11/2001 Wood 215/235
D461,718 S * 8/2002 Brozell D9/529
D486,400 S * 2/2004 Bakic D9/558
D489,257 S * 5/2004 Braaten et al. D9/444
D489,258 S * 5/2004 Hollmann et al. D9/444
D489,504 S * 5/2004 Lin D34/11
D504,611 S * 5/2005 Bakic D9/446
D513,987 S * 1/2006 Bansal D9/449
D525,136 S * 7/2006 Bakic D9/522
D526,195 S * 8/2006 Jelich et al. D9/449
D526,562 S * 8/2006 Jelich et al. D9/435
D527,641 S * 9/2006 Bakic D9/529
D527,999 S * 9/2006 Jelich et al. D9/449
D528,005 S * 9/2006 Bakic D9/529
D529,388 S * 10/2006 Bakic D9/529
D529,393 S * 10/2006 Bakic D9/574
D529,802 S * 10/2006 Jelich et al. D9/449
D529,810 S * 10/2006 Davies et al. D9/529

(Continued)

Primary Examiner—Susan Bennett Hattan

(74) *Attorney, Agent, or Firm*—Wood, Phillips, Katz, Clark & Mortimer

(57) **CLAIM**

The ornamental design for a closure, as shown and described.

DESCRIPTION

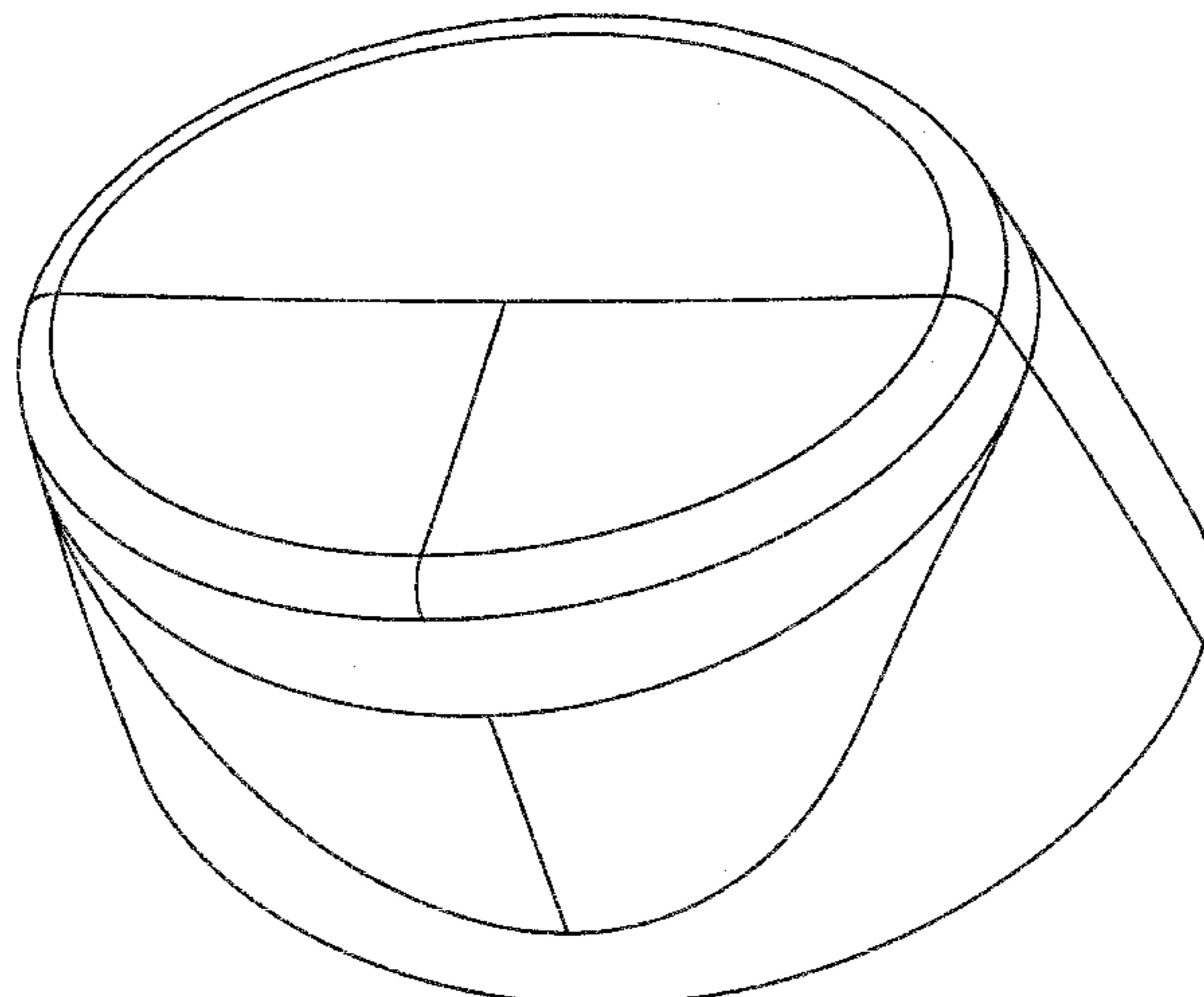
FIG. 1 is a front isometric view of a first embodiment of a closure showing my new design with the closure in the closed condition, and the closure is adapted to be mounted on a bottle or other container (not illustrated);

FIG. 2 is a front elevational view thereof;

FIG. 3 is a right side elevational view thereof, the left side elevational view thereof being a mirror image; and,

FIG. 4 is a top view thereof.

1 Claim, 4 Drawing Sheets



US D608,639 S

Page 2

U.S. PATENT DOCUMENTS

D529,811 S *	10/2006	Ratzlaff	D9/529	D576,875 S *	9/2008	Steiger et al.	D9/449
D529,812 S *	10/2006	Ratzlaff	D9/529	D579,328 S *	10/2008	Ribadeneira Mejia et al.	D9/442
D530,204 S *	10/2006	Zaidman	D9/449	D584,148 S *	1/2009	Stolle	D9/449
D534,426 S *	1/2007	Bakic	D9/449	D584,159 S *	1/2009	Domoy et al.	D9/558
D538,162 S *	3/2007	Smith	D9/449	D585,289 S *	1/2009	Toh	D9/529
D539,144 S *	3/2007	Penfold et al.	D9/449	D585,739 S *	2/2009	Dombrowski et al.	D9/449
D546,695 S *	7/2007	Penfold et al.	D9/529	D588,913 S *	3/2009	Bakic	D9/435
D547,606 S *	7/2007	Forsman	D7/396.2	D589,796 S *	4/2009	McGeough	D9/449
D574,712 S *	8/2008	Bakic	D9/522	D594,747 S *	6/2009	Moretti	D9/449
D576,494 S *	9/2008	Bakic	D9/529	2005/0173366 A1 *	8/2005	Baudin	215/235

* cited by examiner

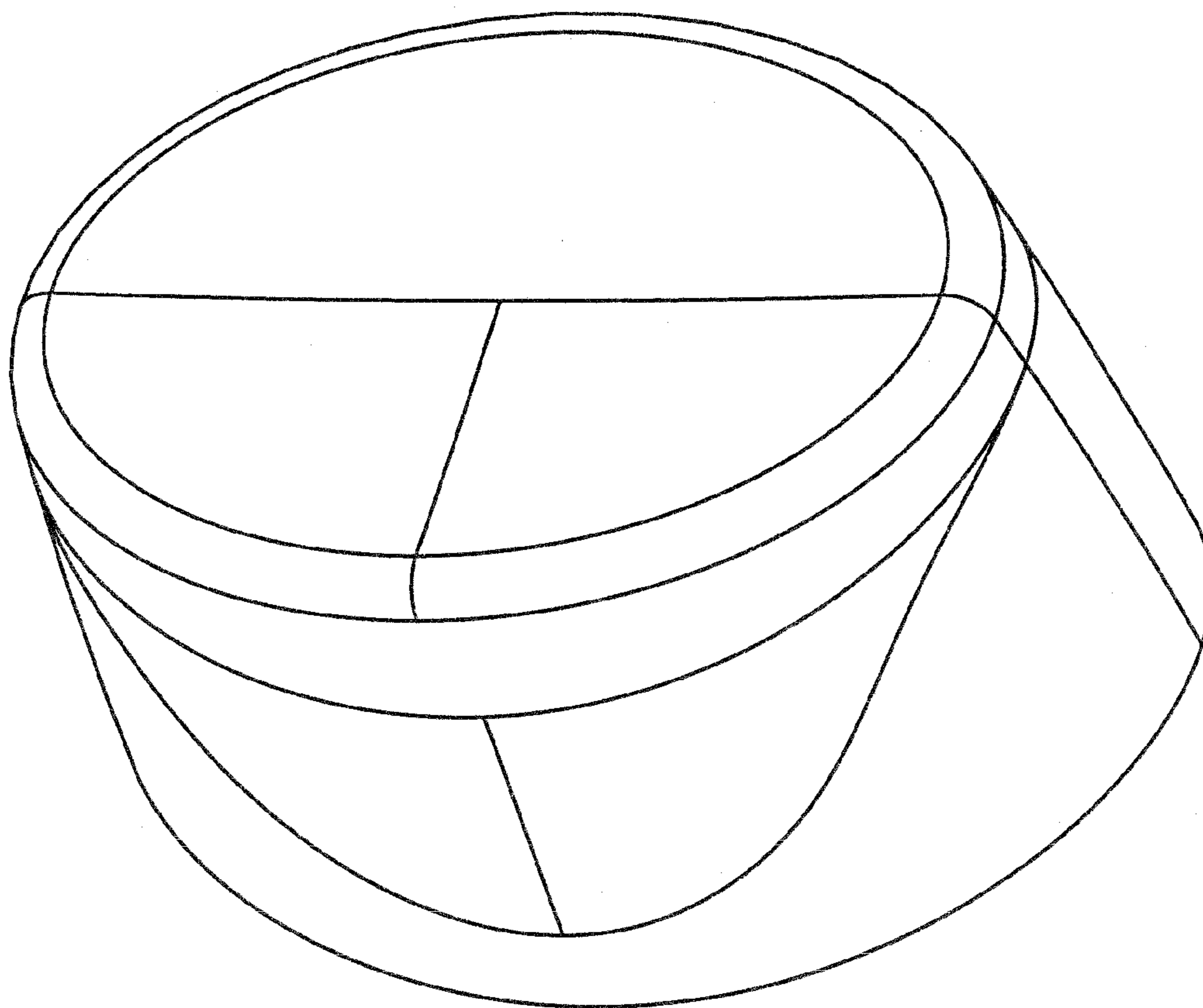


FIG. 1

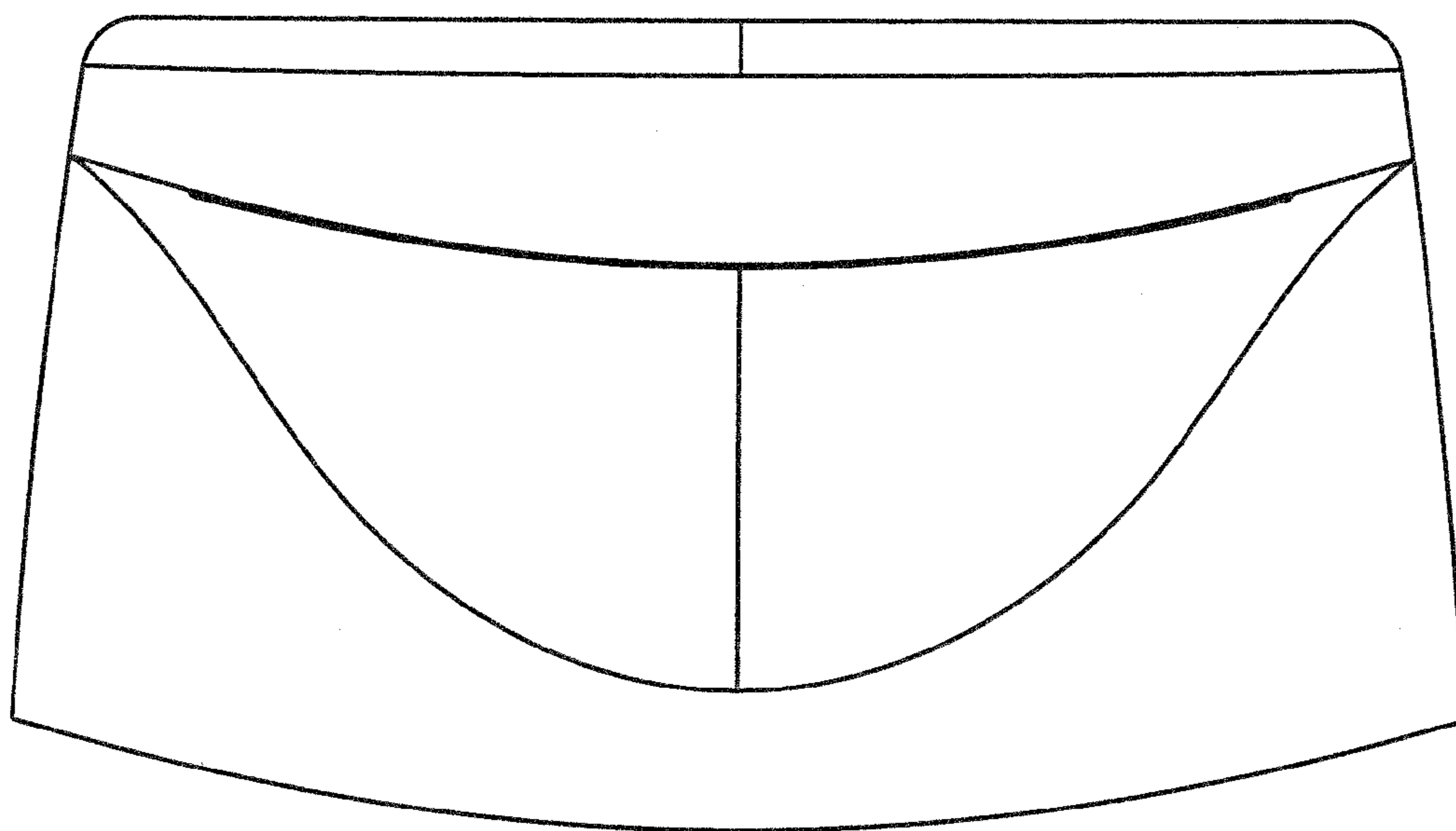


FIG. 2

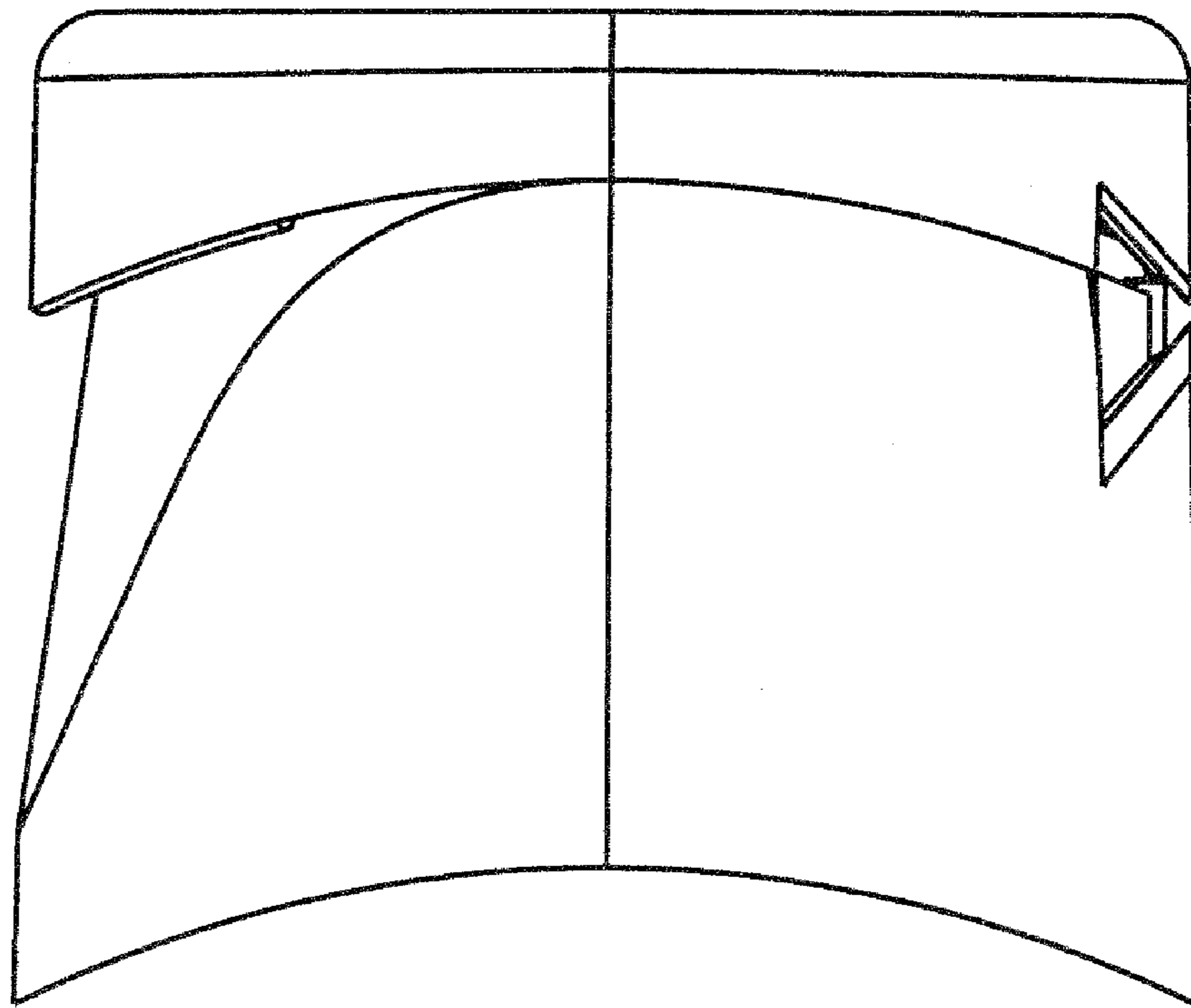


FIG. 3

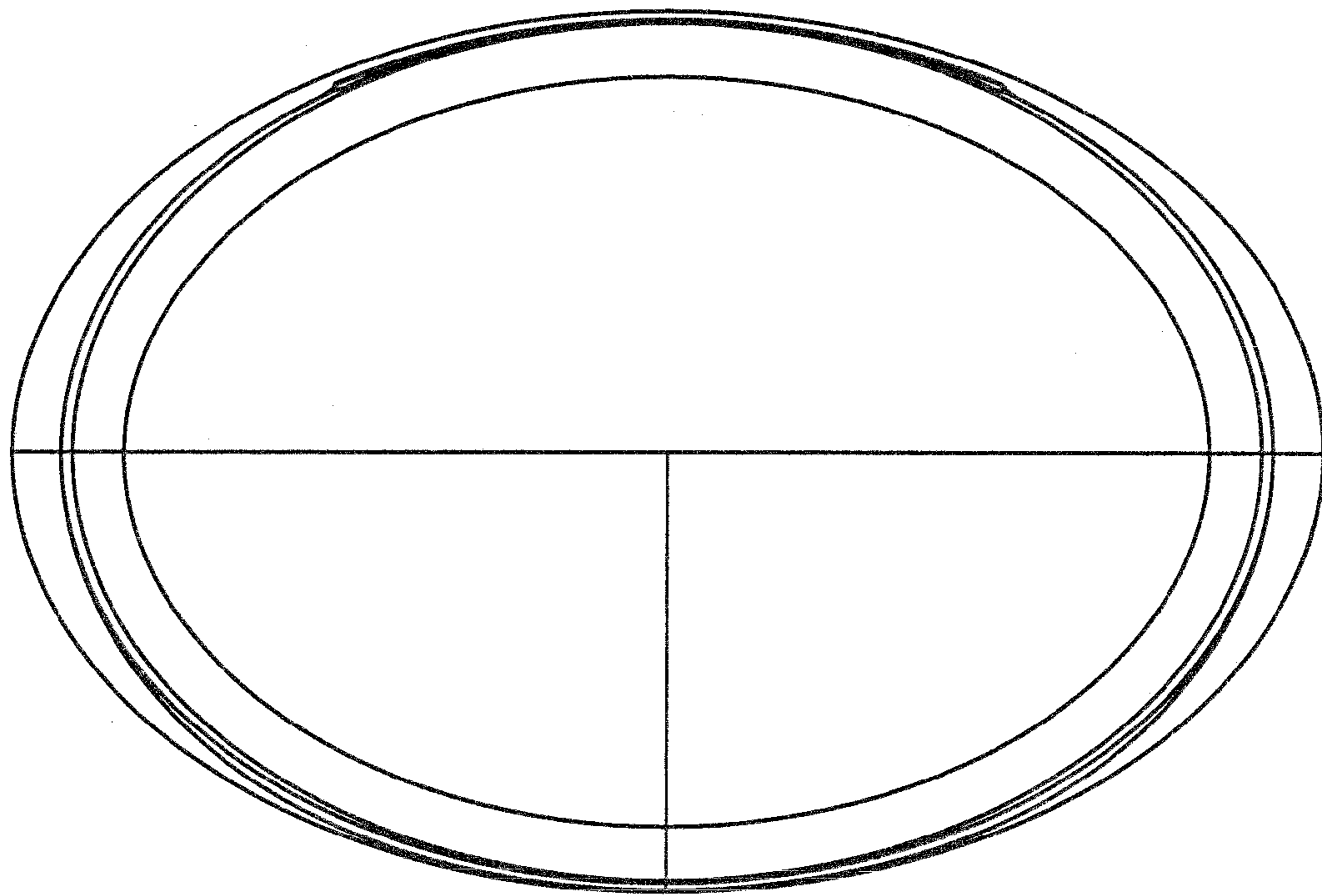


FIG. 4