



US00D608638S

(12) **United States Design Patent**
Pontes

(10) **Patent No.:** **US D608,638 S**
(45) **Date of Patent:** **** Jan. 26, 2010**

(54) **PROTECTIVE SEAL FOR USE IN CANS OR THE LIKE FOR PACKAGING BEVERAGES OR THE LIKE**

D445,687 S * 7/2001 Gilbertson D9/454
D447,056 S * 8/2001 Caserta D9/438
6,443,323 B1 9/2002 DeRose
D495,600 S * 9/2004 Kouri D9/435
D517,408 S * 3/2006 Gonzalez D9/438

(75) Inventor: **Jacques Pontes**, São Paulo (BR)

(73) Assignee: **CBE-Campanhia Brasileira de Embalagens**, Sao Paulo (BR)

(**) Term: **14 Years**

(21) Appl. No.: **29/328,937**

(22) Filed: **Dec. 4, 2008**

(30) **Foreign Application Priority Data**

Sep. 26, 2008 (BR) DI6804266-3

(51) **LOC (9) Cl.** **09-07**

(52) **U.S. Cl.** **D9/446**

(58) **Field of Classification Search** D9/454,
D9/450, 449, 447, 446, 443, 438, 436, 435,
D9/434; D7/510, 396.2, 391; 222/565, 556,
222/109, 498, 153.01-153.14; 221/63; 220/847,
220/838, 367.1, 258.2, 257.1, 254.1-254.4;
215/306, 256, 249, 243, 237, 235, 230; 16/257
See application file for complete search history.

(56) **References Cited**

U.S. PATENT DOCUMENTS

3,013,687 A * 12/1961 Gould 215/249
D192,539 S * 4/1962 Terwilliger D9/438
D244,065 S * 4/1977 Daenen D7/584
4,166,552 A * 9/1979 Faulstich 215/256
D286,026 S * 10/1986 Rayner D9/435
D291,971 S * 9/1987 Smith D9/447
5,139,163 A 8/1992 Diaz
5,213,224 A * 5/1993 Luch 215/256
5,346,088 A 9/1994 Brimo, II
D359,451 S * 6/1995 Dees D9/443
D359,685 S * 6/1995 Luch D9/438
5,452,818 A 9/1995 Yost
6,073,797 A 6/2000 Barous
6,082,567 A * 7/2000 Bietzer et al. 215/256

(Continued)

FOREIGN PATENT DOCUMENTS

DE 43 13 375 A1 11/1993

(Continued)

OTHER PUBLICATIONS

U.S. Appl. No. 12/302,315; In re: Pontes; entitled *Temperature Indicating Device to be Used in Beverage Holding Containers, and, the Containers.*

Primary Examiner—Susan Bennett Hattan
(74) *Attorney, Agent, or Firm*—Alston & Bird LLP

(57) **CLAIM**

The ornamental design for a protective seal for use in cans or the like for packaging beverages or the like, as shown and described.

DESCRIPTION

FIG. 1 is a perspective view of a protective seal for use in cans or the like for packaging beverages or the like showing my new design;

FIG. 2 is a top plan view thereof;

FIG. 3 is a bottom plan view thereof;

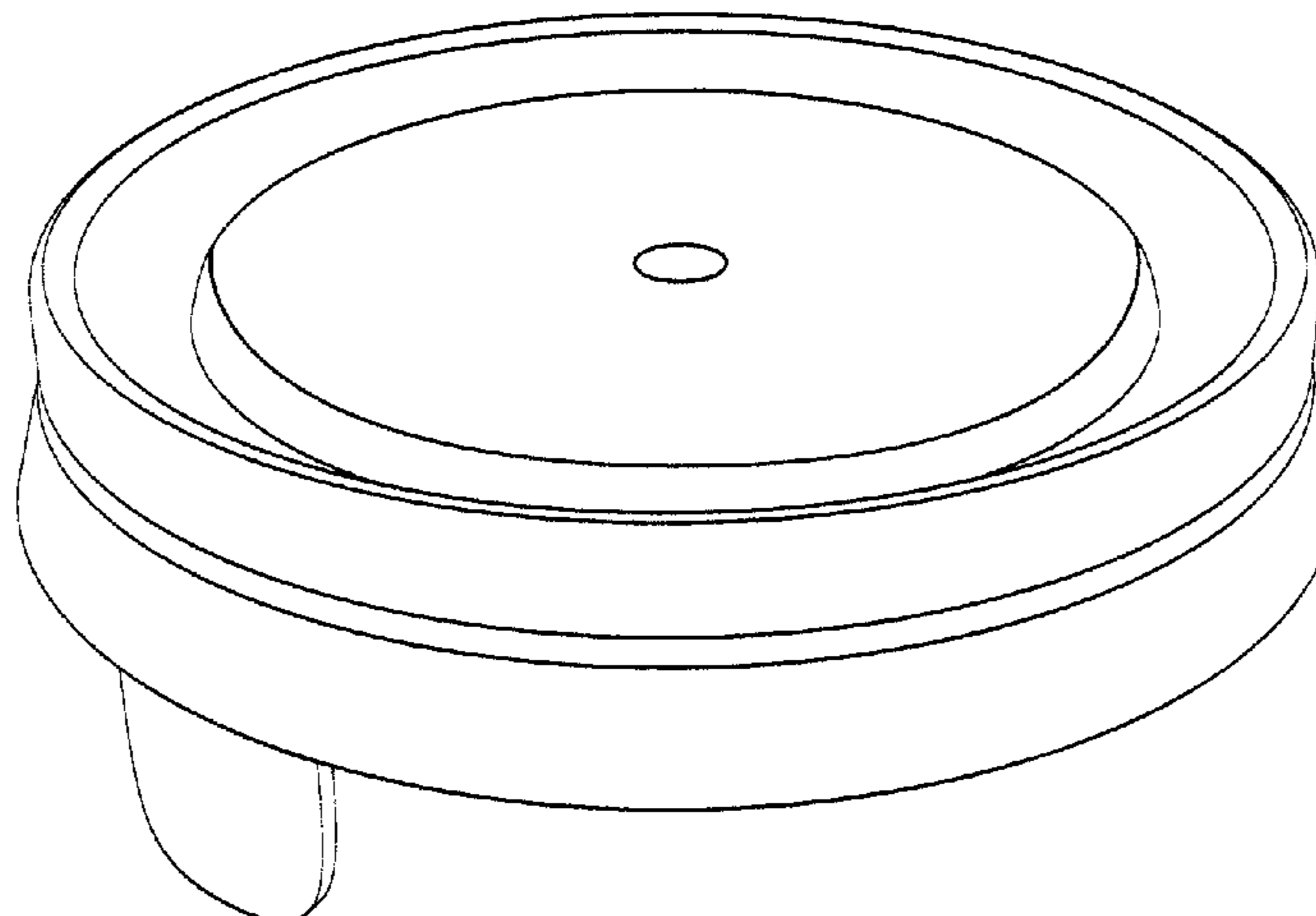
FIG. 4 is a front elevation view thereof;

FIG. 5 is a rear elevation view thereof;

FIG. 6 is a left side elevation view thereof; and,

FIG. 7 is a right side elevation view thereof.

1 Claim, 5 Drawing Sheets



US D608,638 S

Page 2

U.S. PATENT DOCUMENTS		JP	3148492 A	6/1991
D564,356 S	* 3/2008 Nickleberry	MU	8301816-6 U	4/2005
	D9/454	MU	8303346-7 U	7/2005
FOREIGN PATENT DOCUMENTS		MU	8501669-1 U	12/2005
		WO	WO 01/15990 A1	3/2001
GR	1004381 B1			11/2003

* cited by examiner

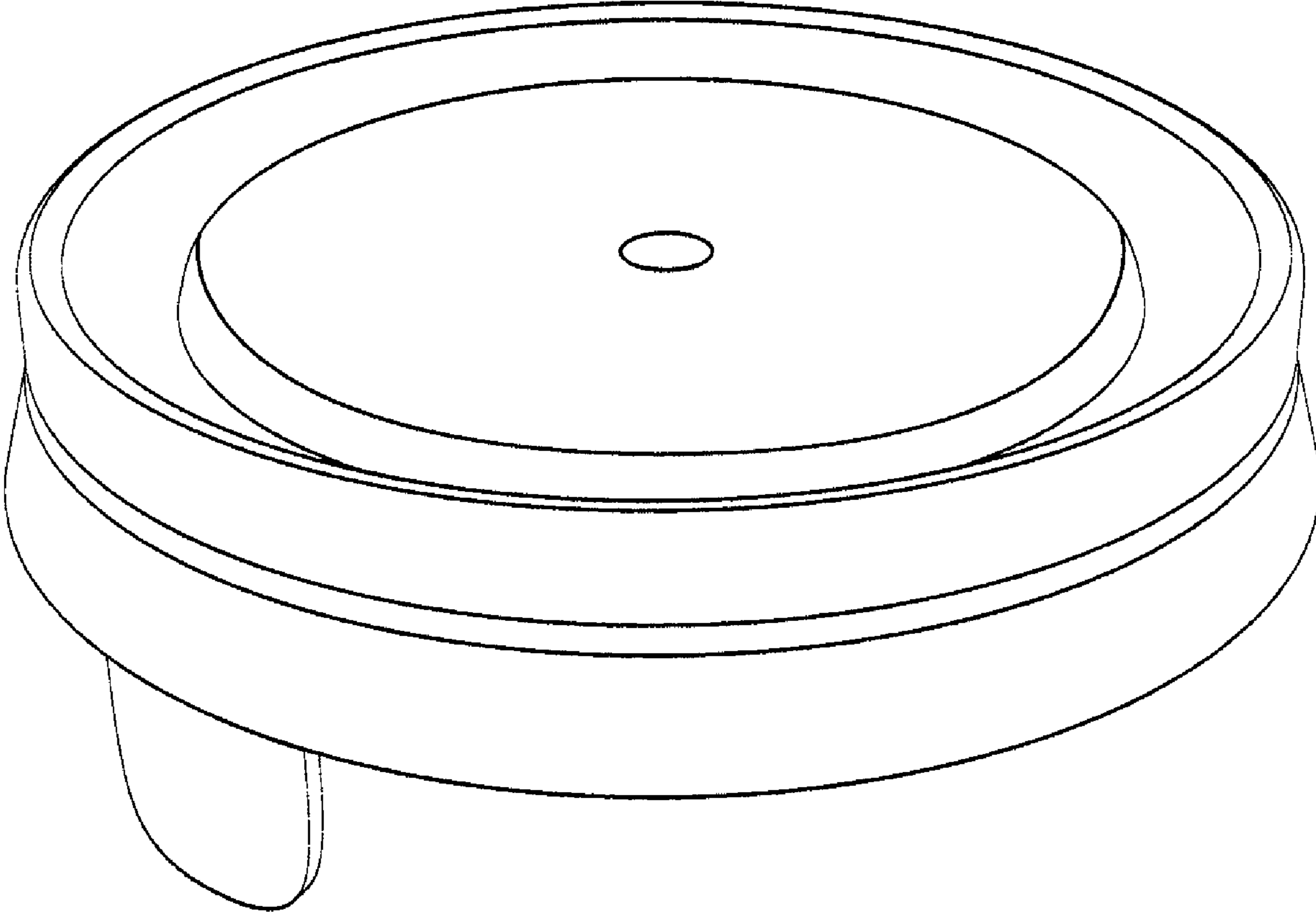


FIG. 1

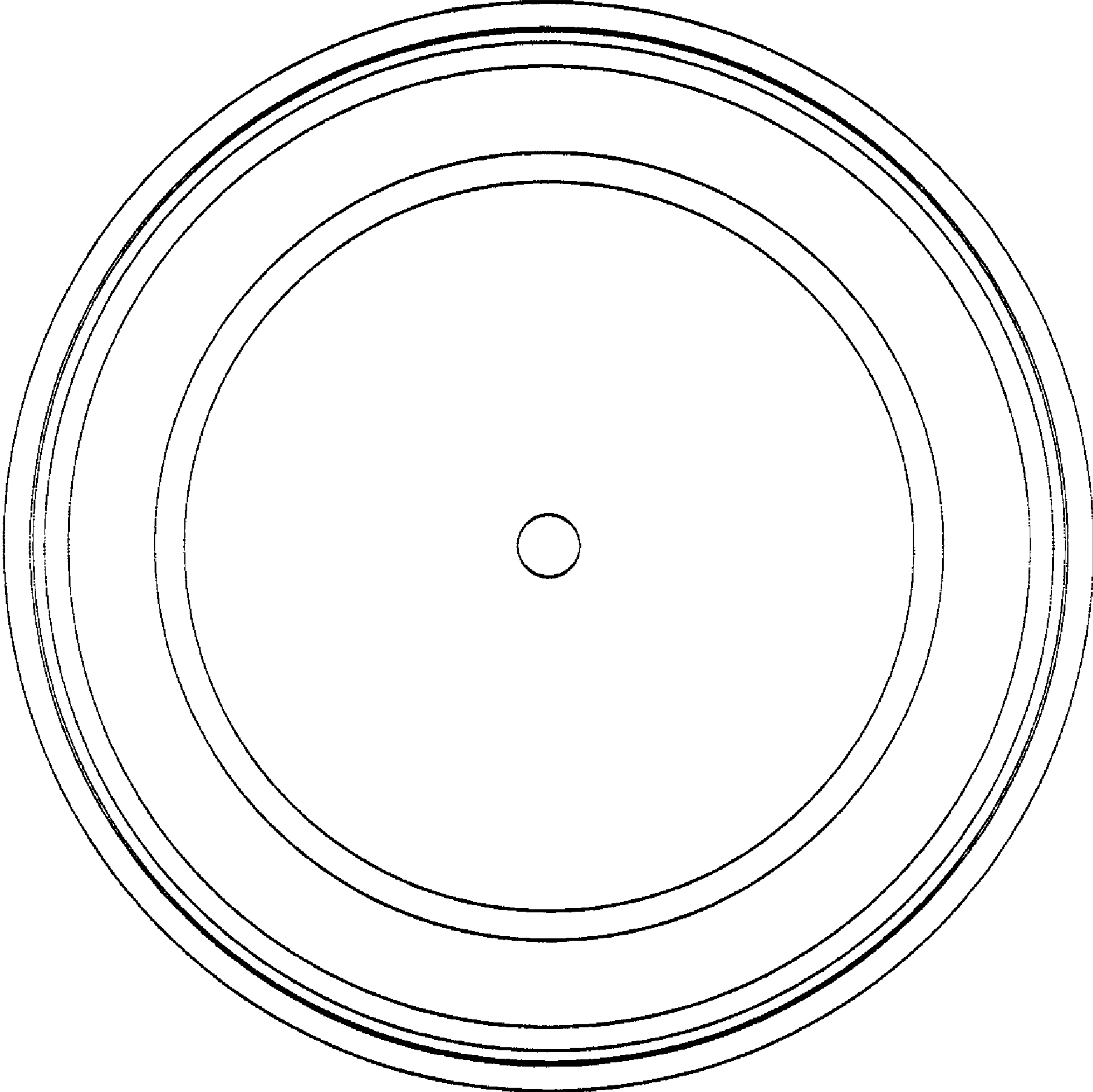


FIG. 2

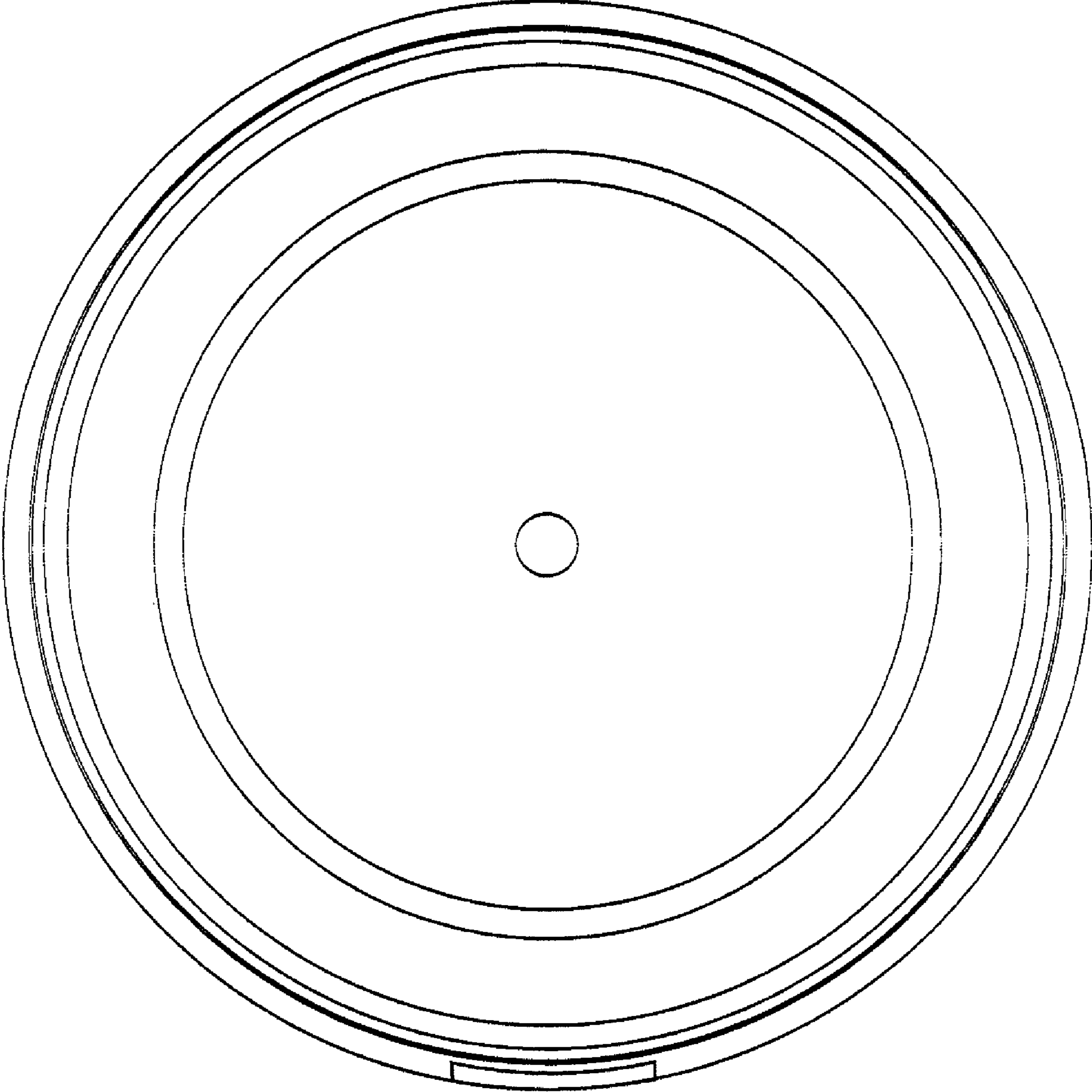


FIG. 3

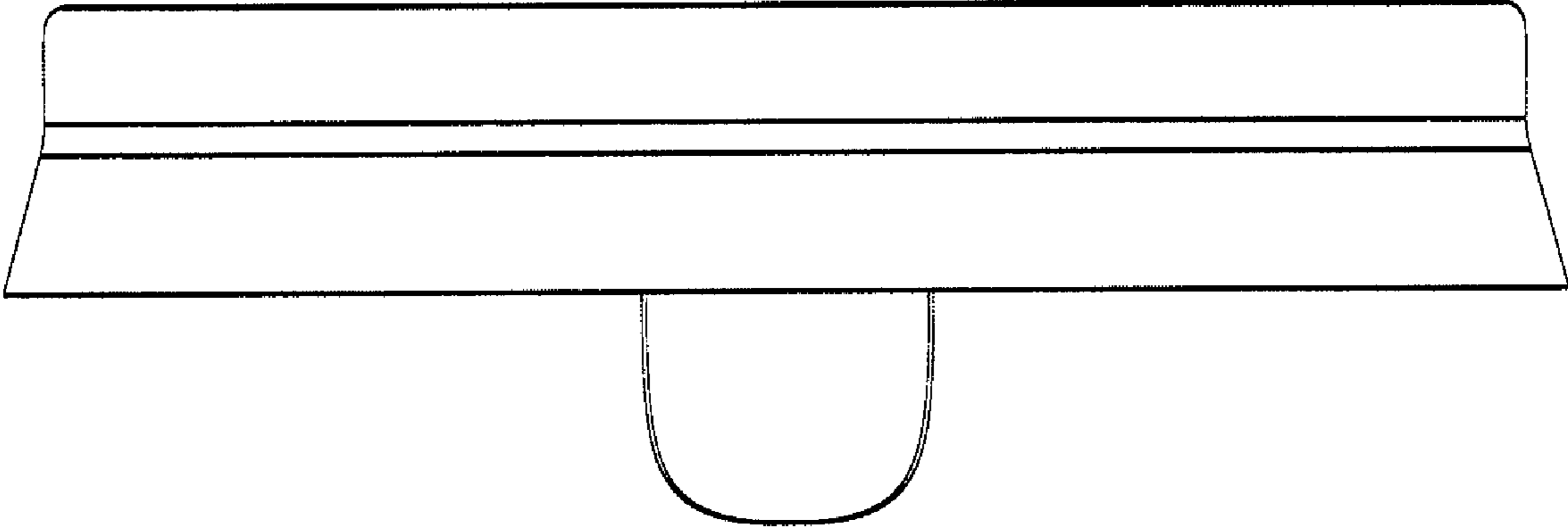


FIG. 4

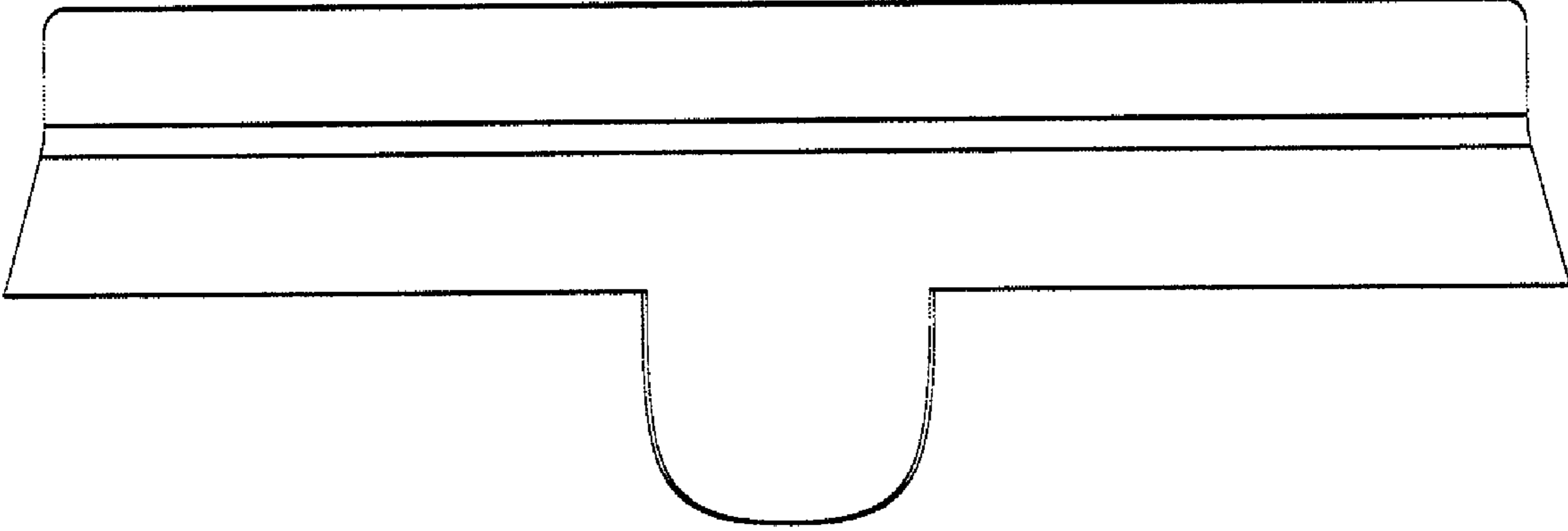


FIG. 5

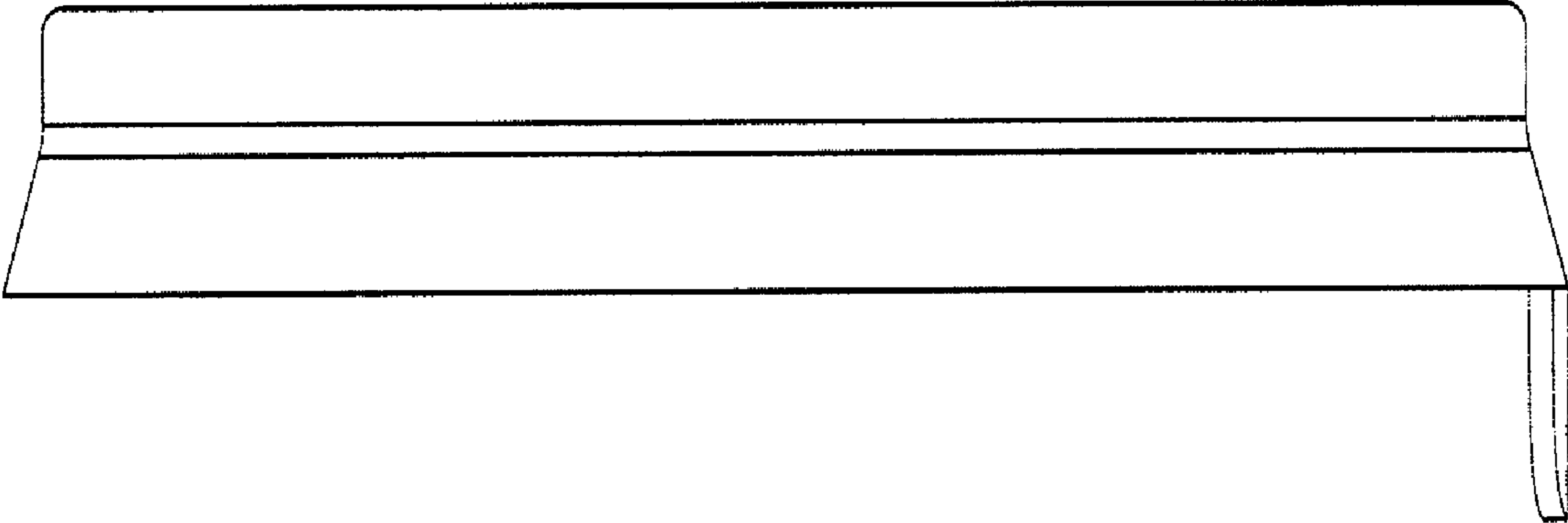


FIG. 6

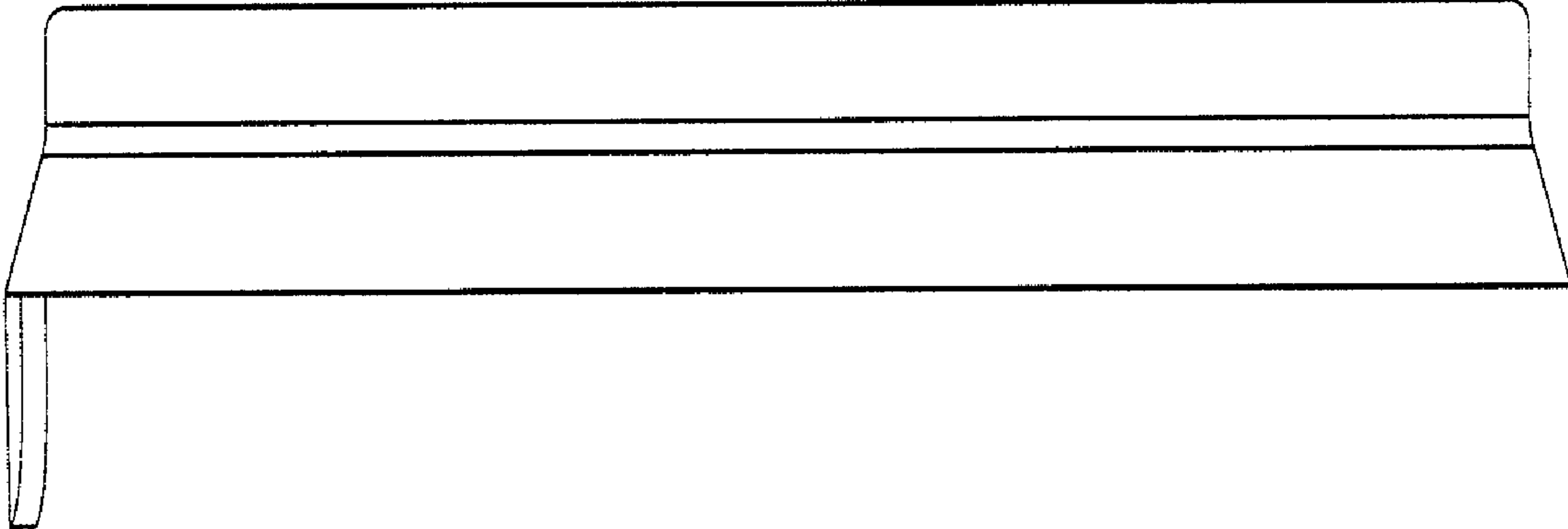


FIG. 7

UNITED STATES PATENT AND TRADEMARK OFFICE
CERTIFICATE OF CORRECTION

PATENT NO. : Des. 608,638 S
APPLICATION NO. : 29/328937
DATED : January 26, 2010
INVENTOR(S) : Pontes

Page 1 of 1

It is certified that error appears in the above-identified patent and that said Letters Patent is hereby corrected as shown below:

Title Page Item (73) Assignee: “**CBE-Campanhia Brasileira de Embalagens**” should read
--**CBE-Companhia Brasileira de Embalagens**--.

Signed and Sealed this

Thirtieth Day of November, 2010

A handwritten signature in black ink that reads "David J. Kappos". The signature is written in a cursive style with a large initial 'D' and a long, sweeping tail on the 's'.

David J. Kappos
Director of the United States Patent and Trademark Office