



US00D608634S

(12) **United States Design Patent**
Riedi

(10) **Patent No.:** **US D608,634 S**
(45) **Date of Patent:** **** Jan. 26, 2010**

(54) **CORN PACKAGING CONTAINER**
(76) Inventor: **Martin Riedi**, P.O. Box 560249, Miami,
FL (US) 33256
(**) Term: **14 Years**
(21) Appl. No.: **29/307,431**
(22) Filed: **Apr. 18, 2008**
(51) **LOC (9) Cl.** **09-03**
(52) **U.S. Cl.** **D9/432**
(58) **Field of Classification Search** D9/430-433,
D9/414, 418, 420-423; D3/272; 206/278,
206/297, 299, 457, 770, 737, 822; 299/100,
299/101, 101.3, 106, 108, 108.1, 116.1, 116.3,
299/116.5, 121, 122, 201, 213, 221, 222,
299/227, 922, 939, 942, 87.08, 101.2, 193,
299/195, 197, 157
See application file for complete search history.

5,046,662 A * 9/1991 Cowles 229/157
5,104,035 A * 4/1992 Rosenbaum, II 229/157
5,305,950 A * 4/1994 Oppenheim 229/157
5,318,220 A * 6/1994 Gagliardo 229/157
5,642,854 A * 7/1997 Hatton 229/149
5,690,275 A 11/1997 Bose et al.
5,913,474 A 6/1999 Chu
6,290,122 B1 9/2001 Correll
6,354,487 B1 3/2002 Muise, Jr.
6,390,357 B1 5/2002 Ogryzlo et al.
6,575,356 B2 * 6/2003 McClure 229/143
6,889,893 B2 * 5/2005 Kent 229/171
6,938,818 B2 * 9/2005 Moorman et al. 229/122
D542,129 S * 5/2007 Moorman D9/431
7,261,231 B2 8/2007 Kuhn et al.
7,481,354 B2 * 1/2009 Kawagoe et al. 229/117.01
2002/0130167 A1 * 9/2002 Riedi 229/120
2006/0163333 A1 * 7/2006 Kornacki 229/104

* cited by examiner

Primary Examiner—Robert M Spear
Assistant Examiner—Karen Acker
(74) *Attorney, Agent, or Firm*—Malloy & Malloy, P.A.

(56) **References Cited**

U.S. PATENT DOCUMENTS

490,167 A * 1/1893 Schmidt 229/157
1,946,315 A 2/1934 Ferguson
2,721,689 A * 10/1955 Nye 206/392
3,055,570 A * 9/1962 Hamilton 229/160
3,352,472 A 11/1967 Cummings et al.
3,670,949 A * 6/1972 Galanes 229/120
3,713,579 A * 1/1973 Chaffers 206/509
D242,845 S * 12/1976 Booth D9/433
4,175,691 A * 11/1979 Cornell et al. 206/509
4,279,377 A * 7/1981 Peeples et al. 229/157
4,279,379 A * 7/1981 Lohrbach et al. 229/185
4,304,353 A * 12/1981 Stollberg 229/126
4,650,112 A * 3/1987 Booth 229/157
4,709,852 A * 12/1987 Stoll 229/119
4,770,339 A 9/1988 Weimer
4,884,741 A * 12/1989 Nederveld 229/157
D307,109 S * 4/1990 Dasher et al. D9/418
4,984,734 A 1/1991 Zion et al.
5,002,224 A 3/1991 Muise

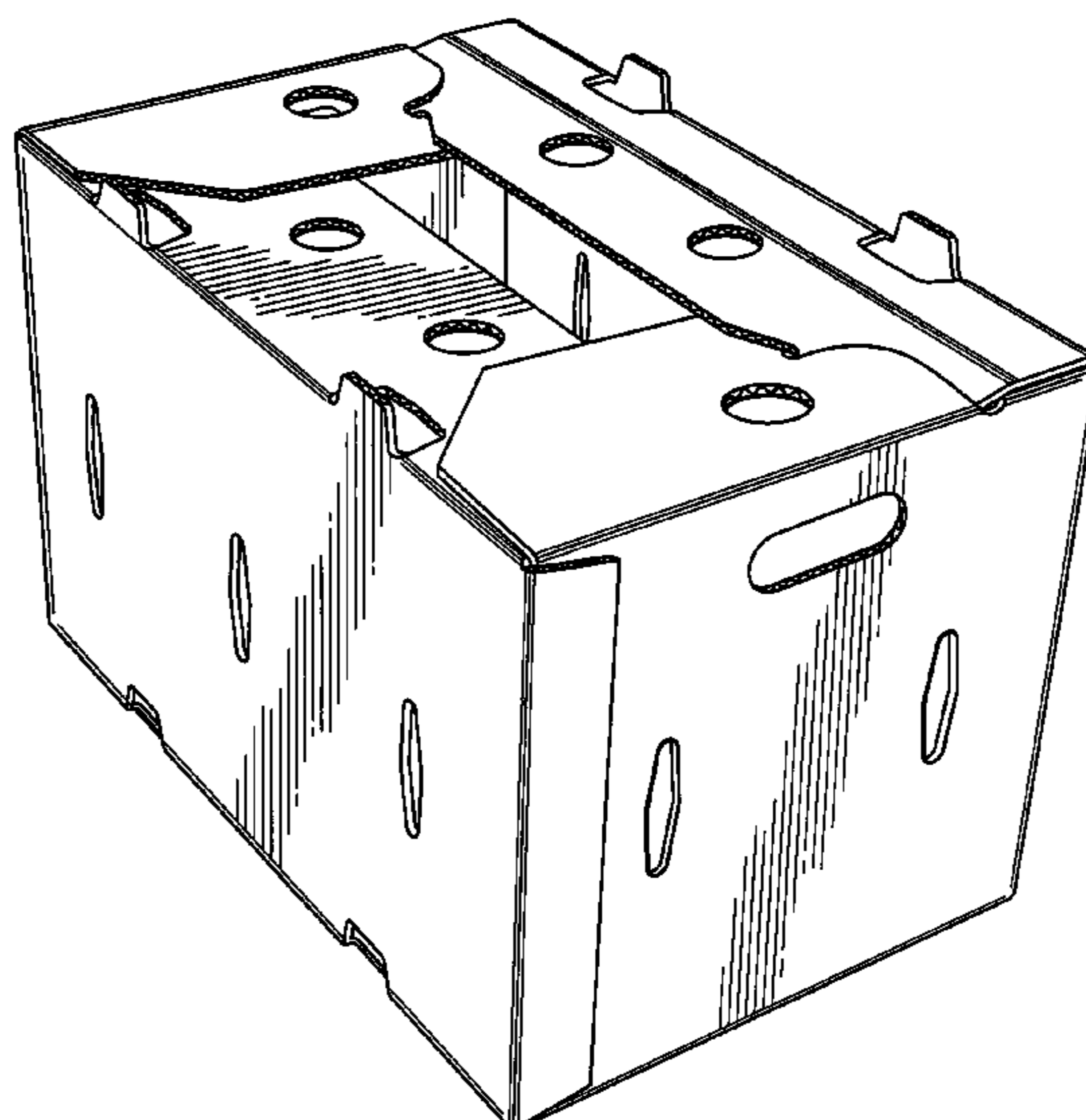
(57) **CLAIM**

The ornamental design for a corn packaging container, as shown and described.

DESCRIPTION

FIG. 1 is a top front perspective view illustrating my design for a corn packaging container;
FIG. 2 is a right side view thereof;
FIG. 3 is a rear end view thereof;
FIG. 4 is a top view thereof;
FIG. 5 is a front end view thereof;
FIG. 6 is a bottom view thereof;
FIG. 7 is a left side view thereof; and,
FIG. 8 is a bottom rear perspective view thereof.

1 Claim, 7 Drawing Sheets



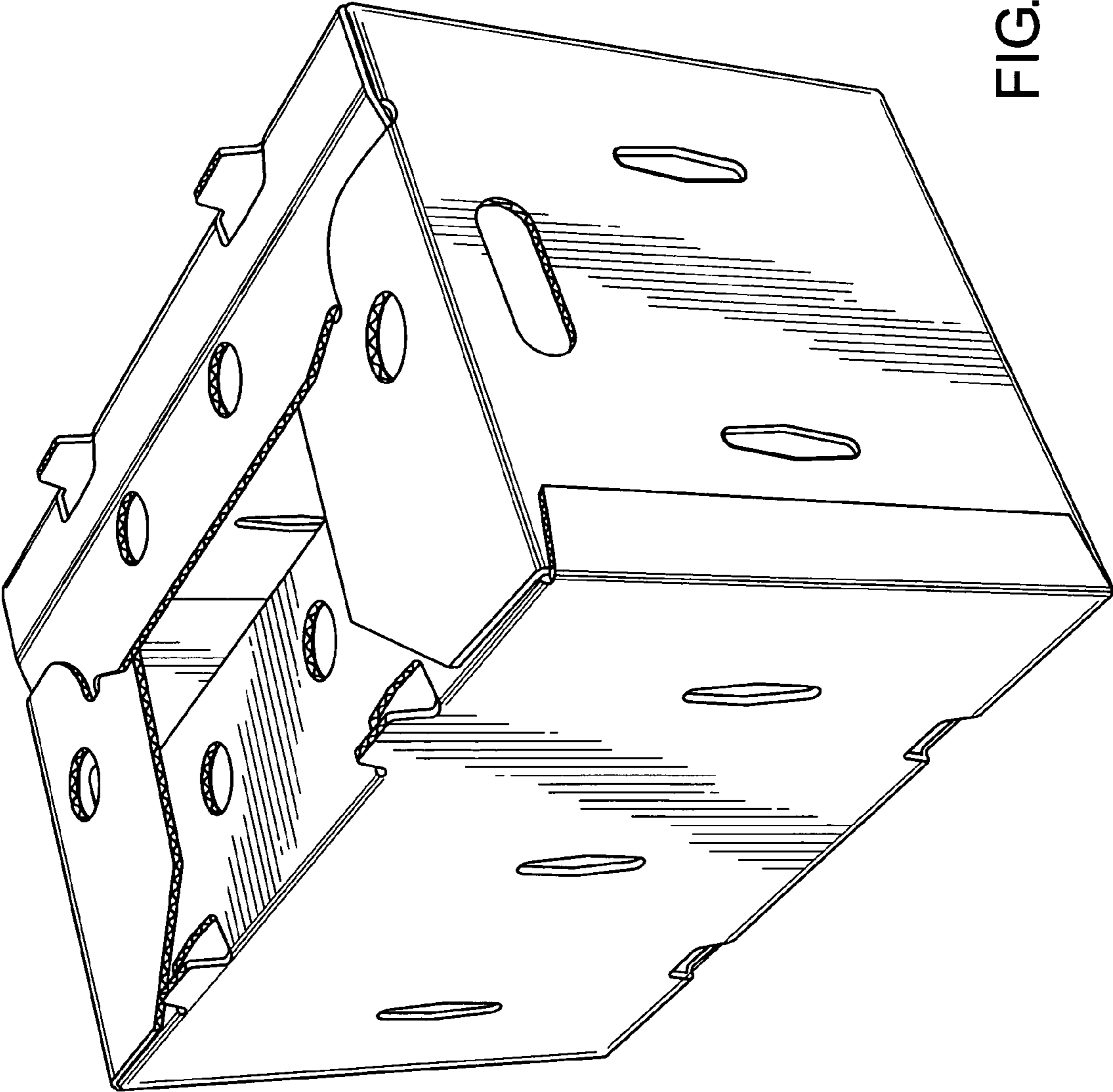


FIG. 1

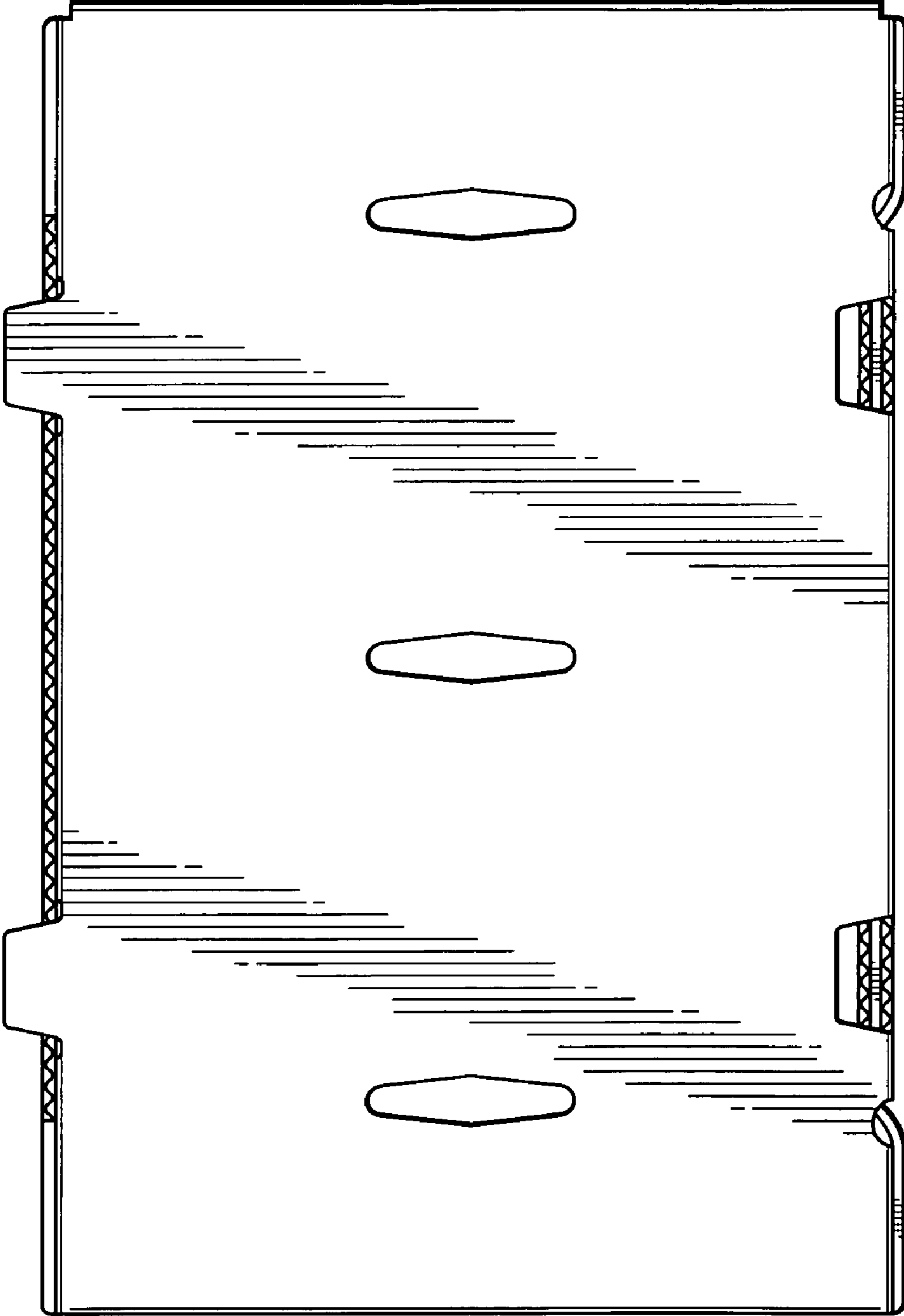


FIG. 2

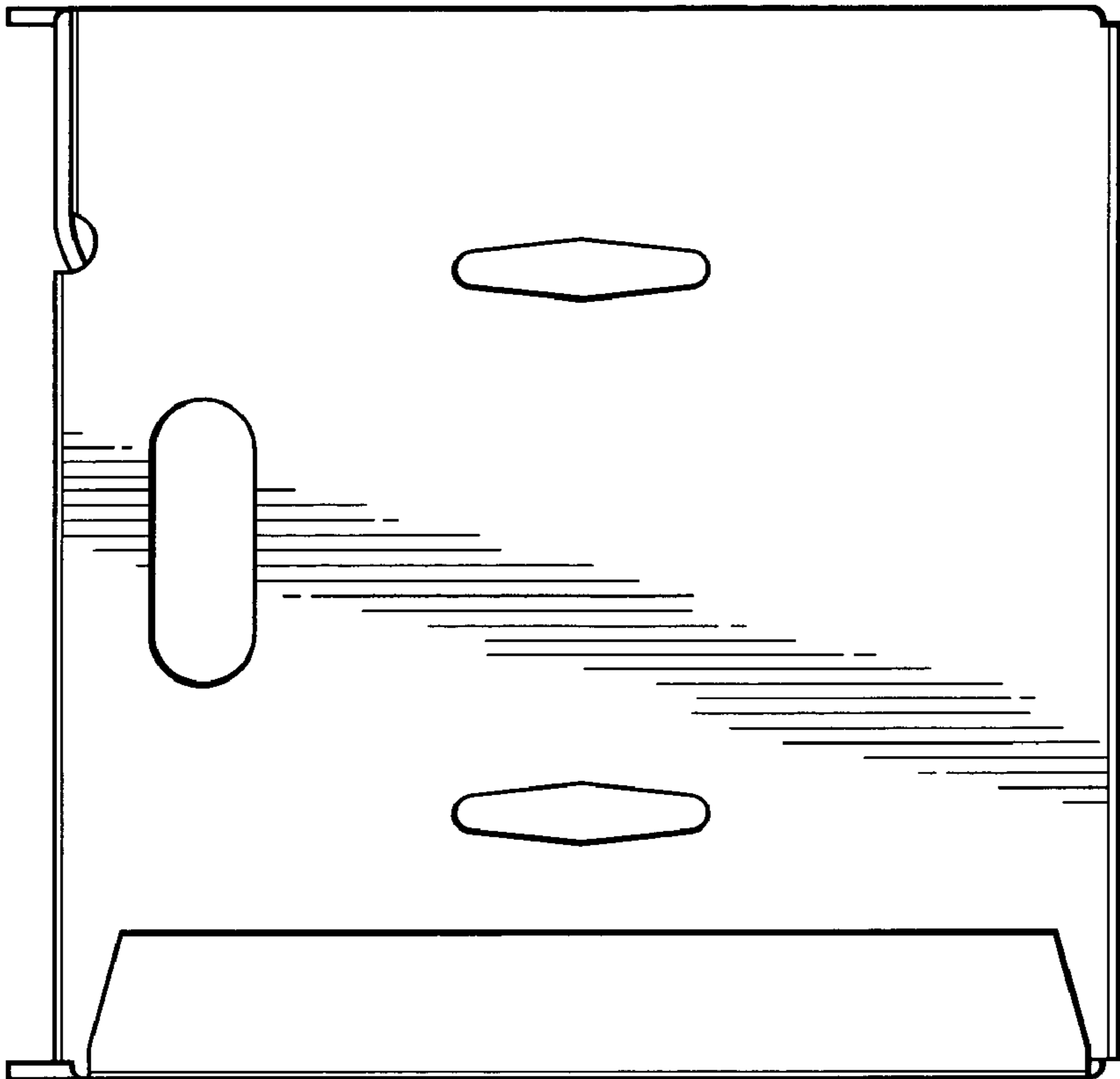


FIG. 5

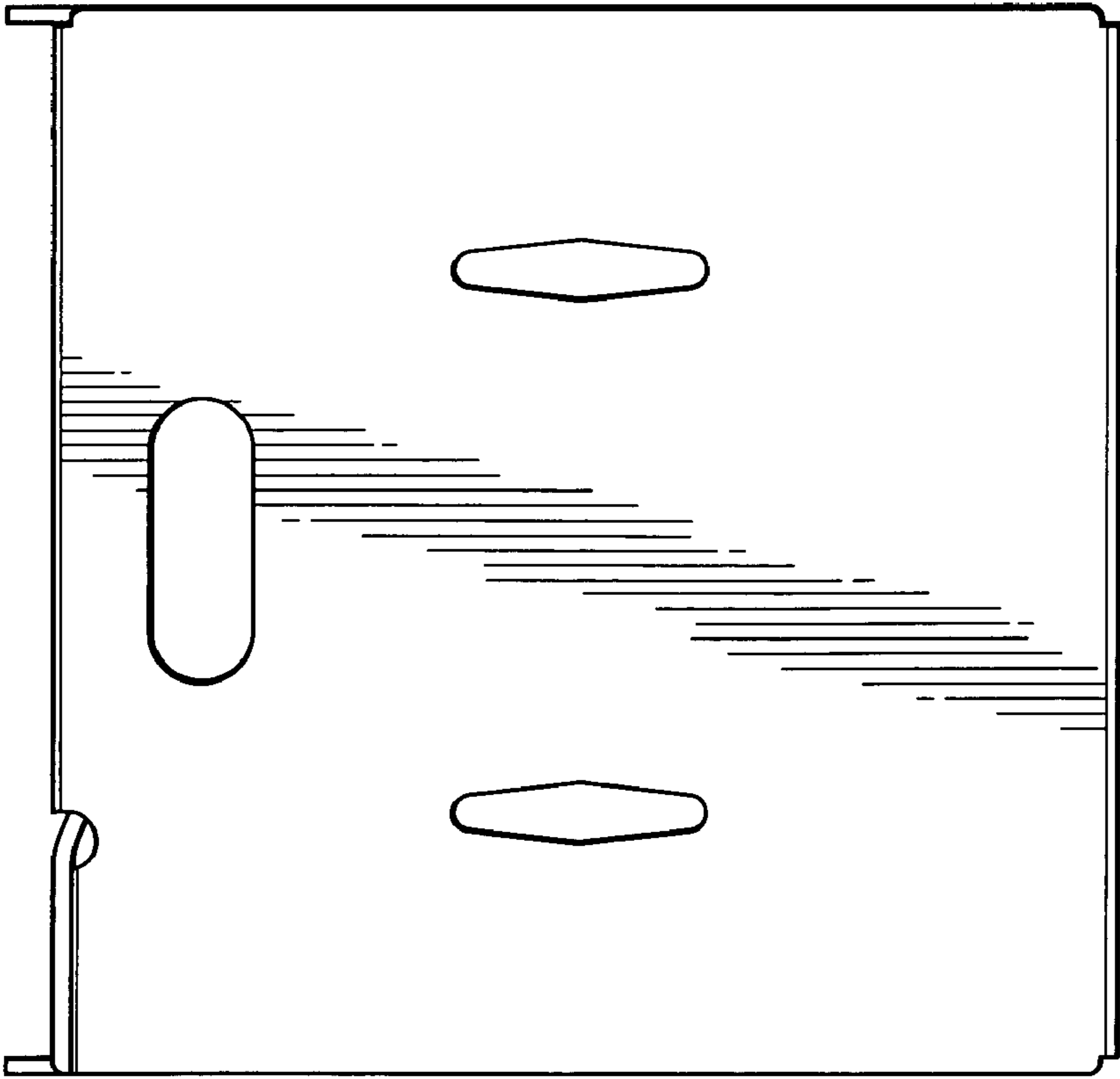


FIG. 3

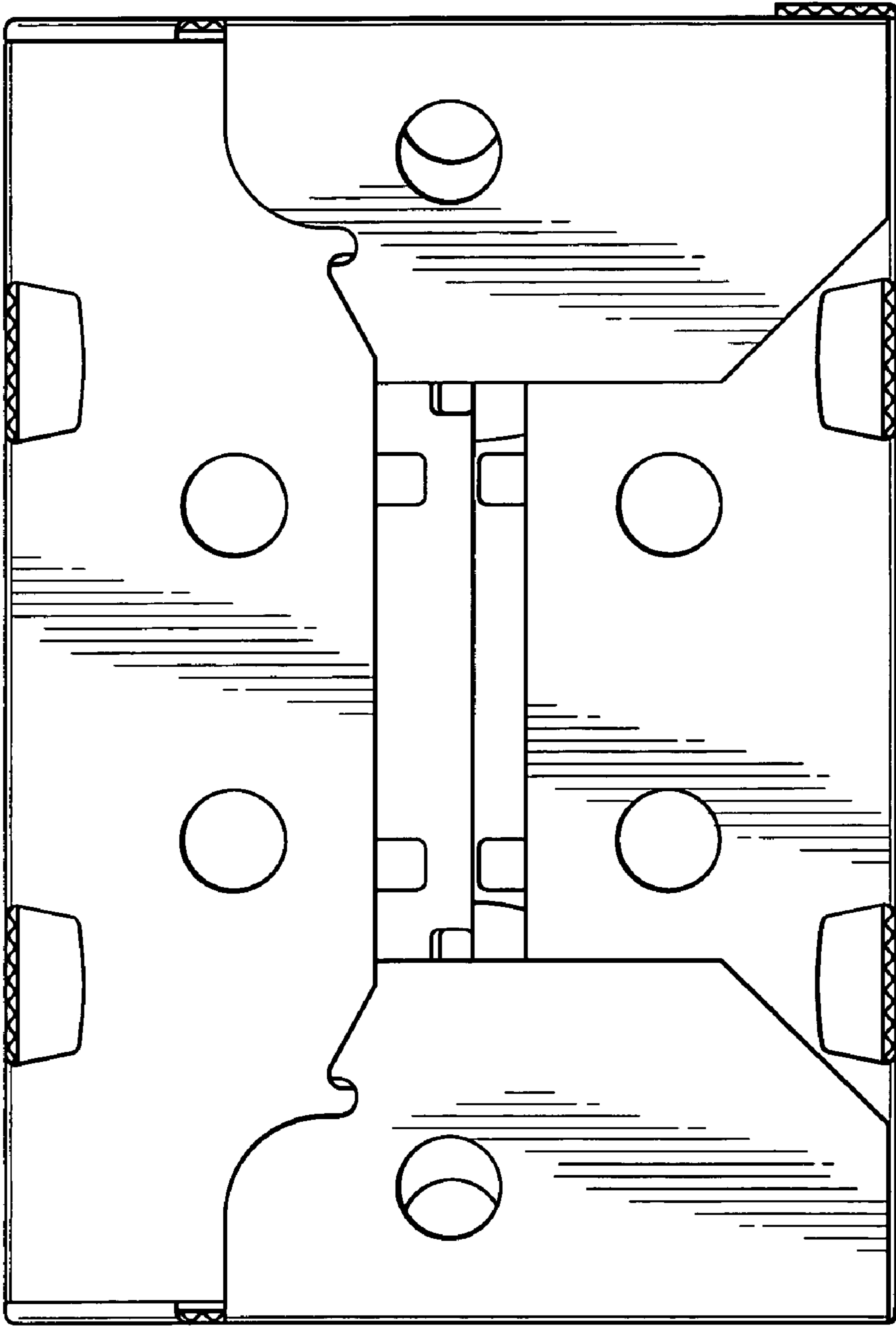


FIG. 4

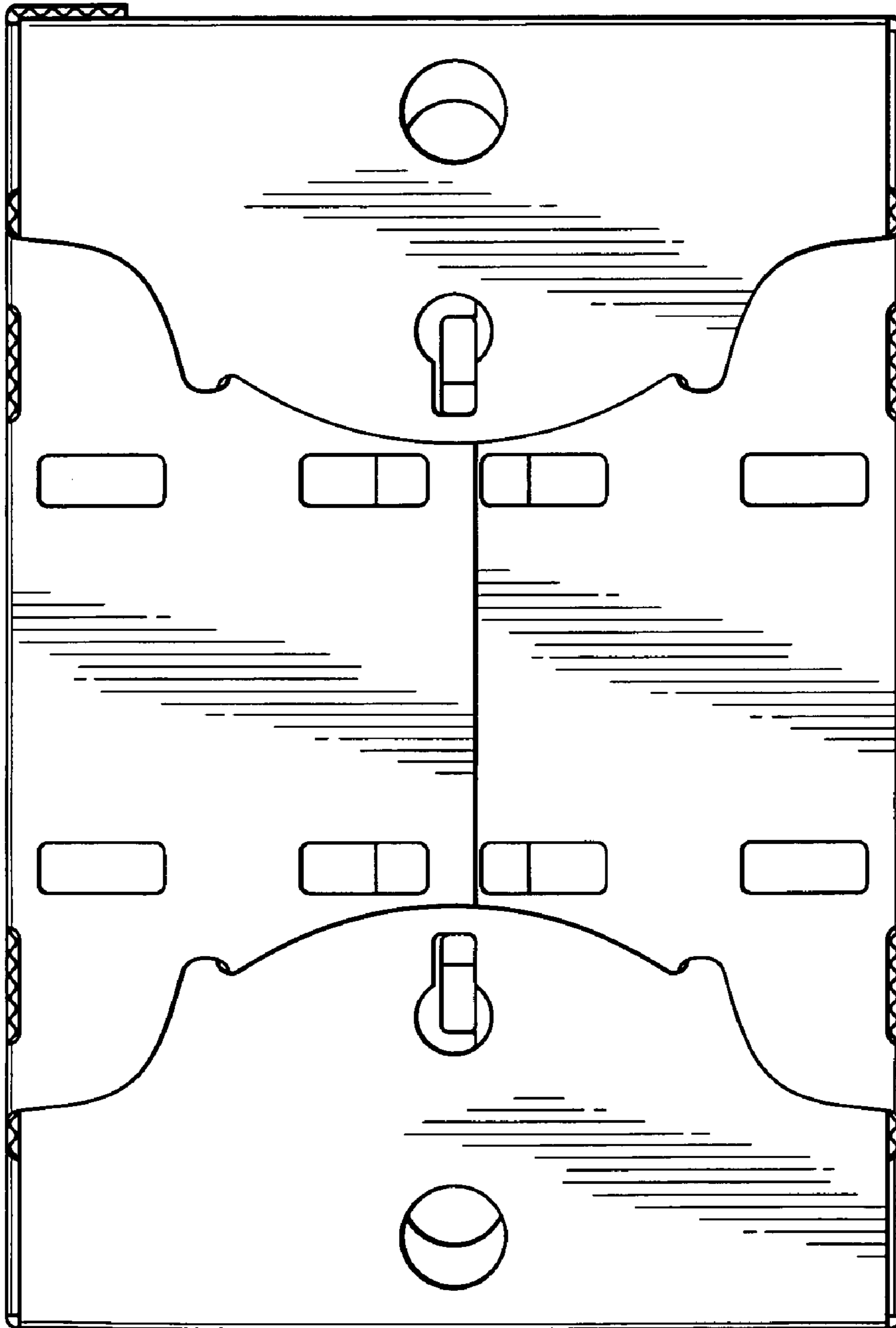


FIG. 6

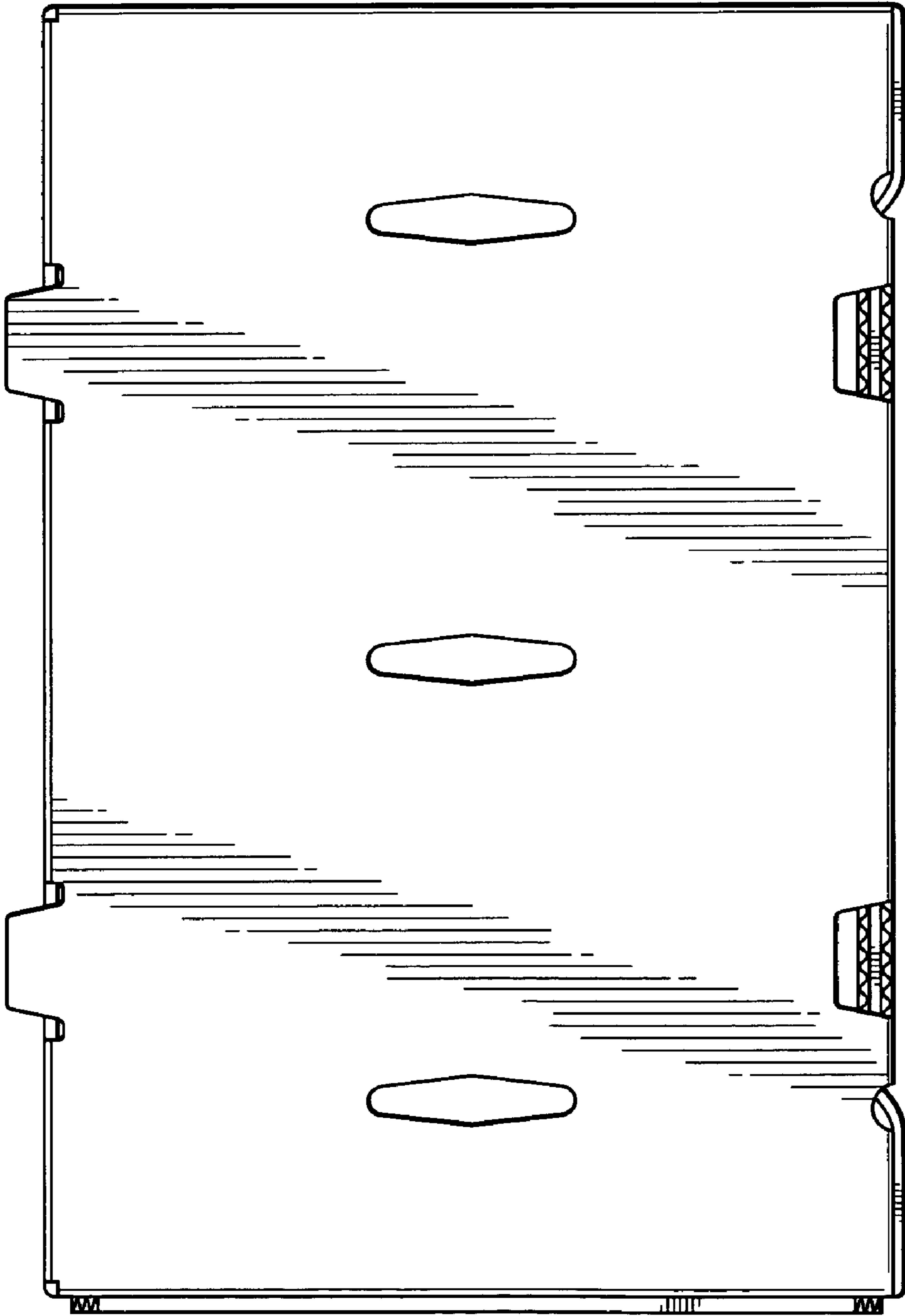


FIG. 7

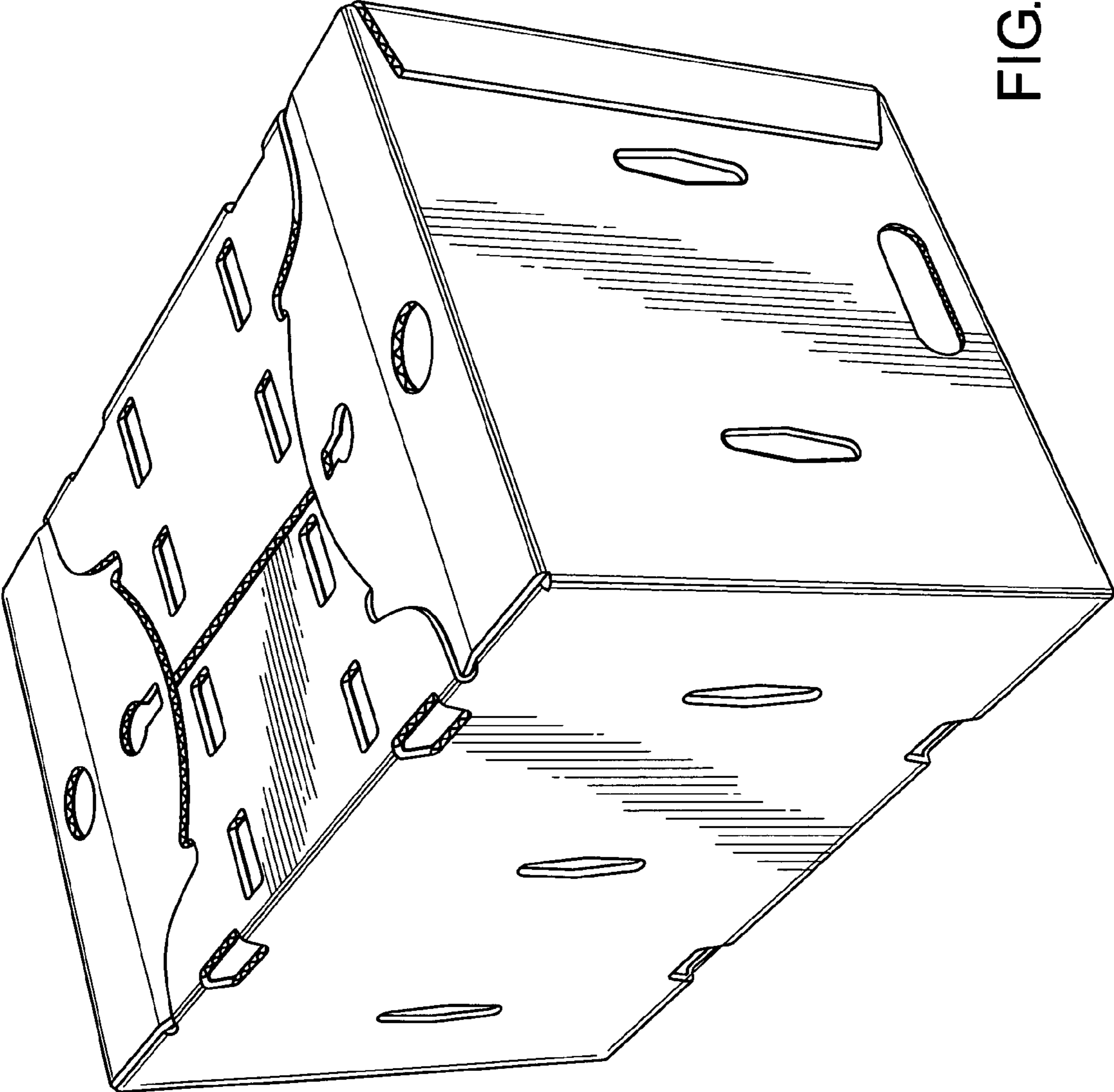


FIG. 8